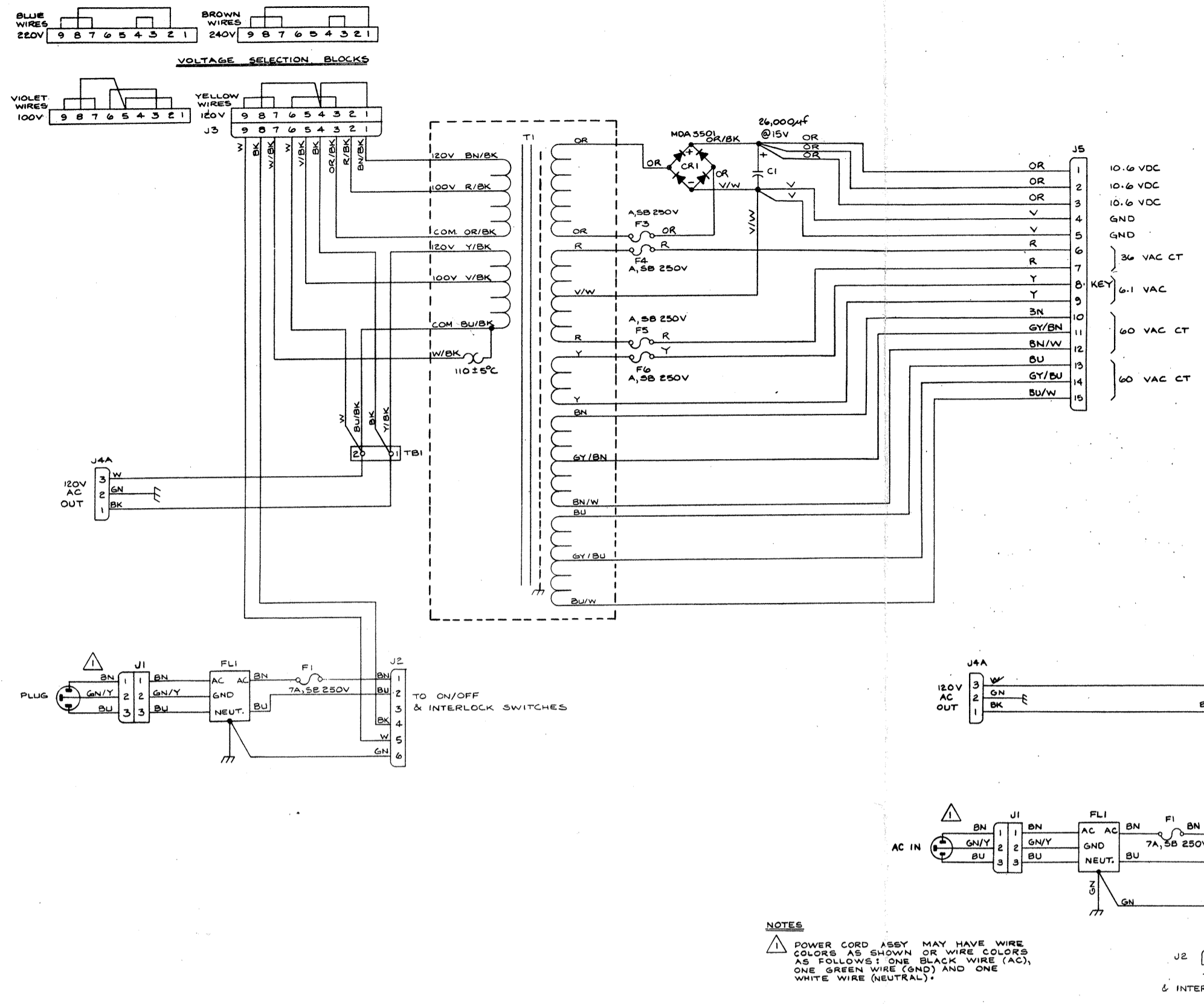
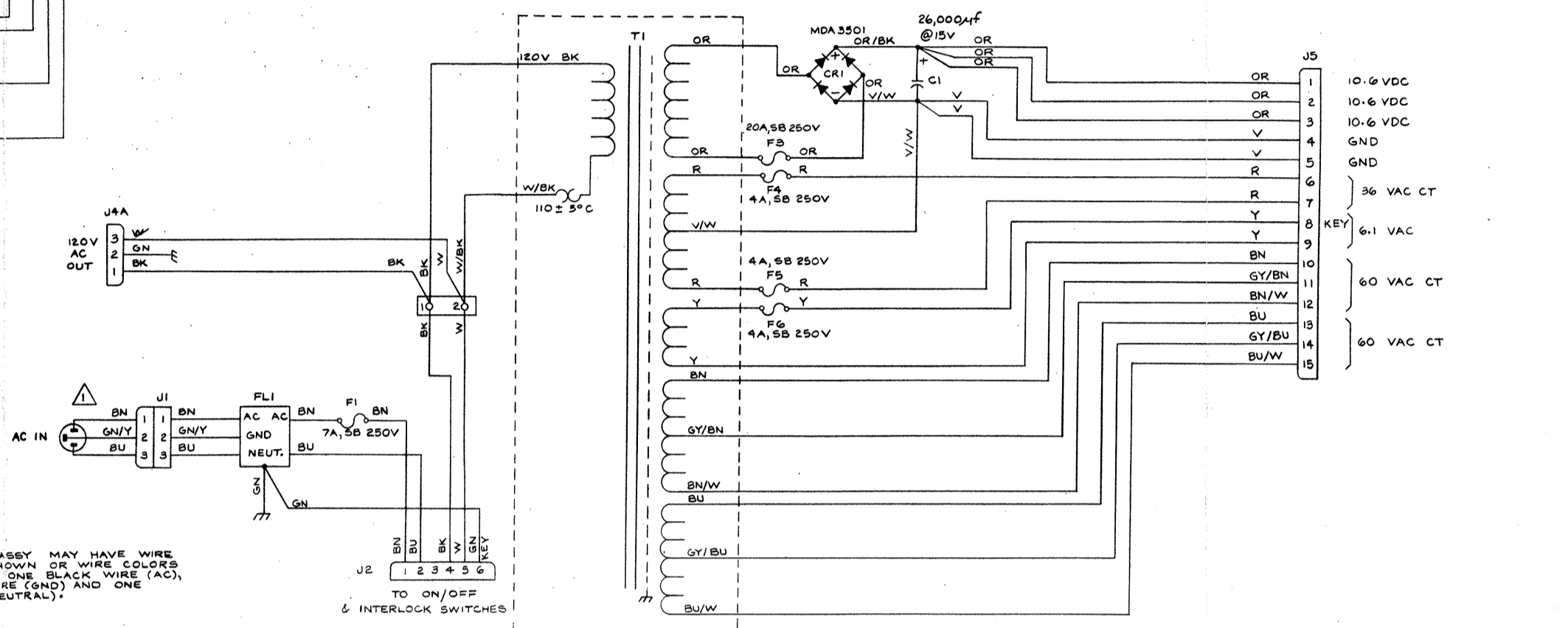


INTERNATIONAL X-Y POWER SUPPLY WIRING DIAGRAM (035887-01 A)



U.S. X-Y POWER SUPPLY WIRING DIAGRAM (036352-01 A)



NOTES
 POWER CORD ASSY MAY HAVE WIRE COLORED AS SHOWN OR WIRE COLORED AS FOLLOWS: ONE BLACK WIRE (AC), ONE GREEN WIRE (GND) AND ONE WHITE WIRE (NEUTRAL).
 TO ON/OFF & INTERLOCK SWITCHES

REGULATOR/AUDIO I PCB SCHEMATIC (034485-03 A)

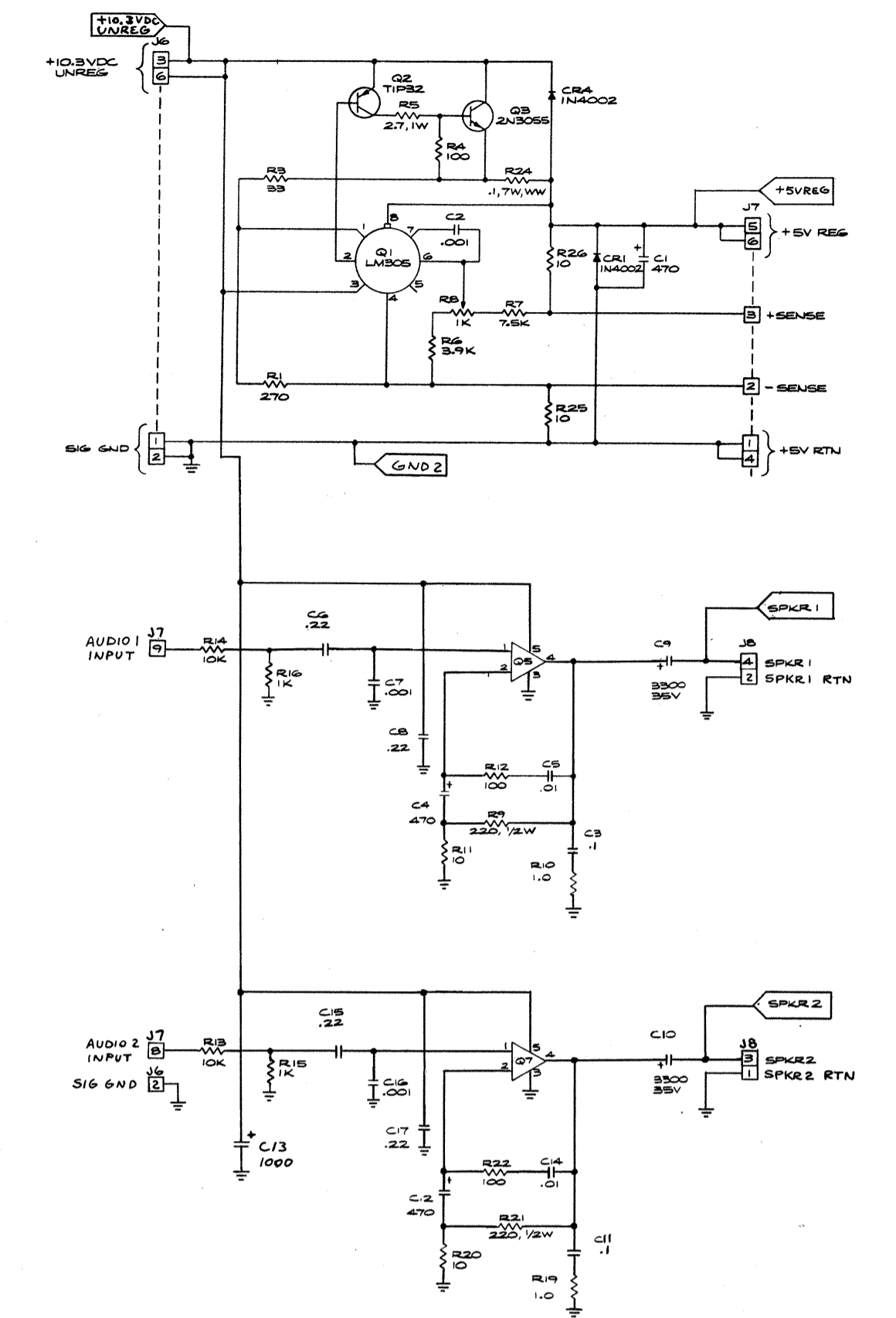
Regulator/Audio I PCB
 The Regulator/Audio I PCB has the dual functions of regulating the +5 VDC logic power to the game PCB and amplifying the audio from the game PCB.

Regulator Circuit
 The regulator consists of voltage regulator Q1, current source power transistor Q3 and Q3's bias transistor Q2. The regulator accurately regulates the logic power input to the game PCB by monitoring the voltage through high-impedance inputs +SENSE and -SENSE. The inputs are directly from the +5 VDC and ground inputs to the game PCB. Therefore, the regulator regulates the voltage on the game PCB. This eliminates a reduced voltage due to IR buildup on the wire harness between the regulator and the game PCB. Variable resistor R8 is adjusted for the +5 VDC on the game PCB. Once adjusted, the voltage at the input of the game PCB will remain constant at this voltage.

Regulator Adjustment

1. Connect a voltmeter between +5 V and GND test points of the game PCB.
2. Adjust variable resistor R8 on the Regulator/Audio I PCB for +5 VDC reading on the voltmeter.
3. Connect a voltmeter between +5 V REG and GND on the Regulator/Audio I PCB. Voltage reading must not be greater than +5.5 VDC. If greater, try cleaning edge connectors on both the game PCB and the Regulator/Audio I PCB.
4. If cleaning PCB edge connectors doesn't decrease voltage difference, connect minus lead of voltmeter to GND test point of Regulator/Audio I PCB and plus lead to GND test point of game PCB. Note the voltage. Now connect minus lead of voltmeter to +5 REG test point on Regulator/Audio I PCB and plus lead to +5 V test point on game PCB. From this you can see which harness circuit is dropping the voltage. Troubleshoot the appropriate harness wire or harness connector.

Audio Circuit
 The audio circuit contains two independent audio amplifiers. Each amplifier consists of a TDA2002AV amplifier with a gain of ten.



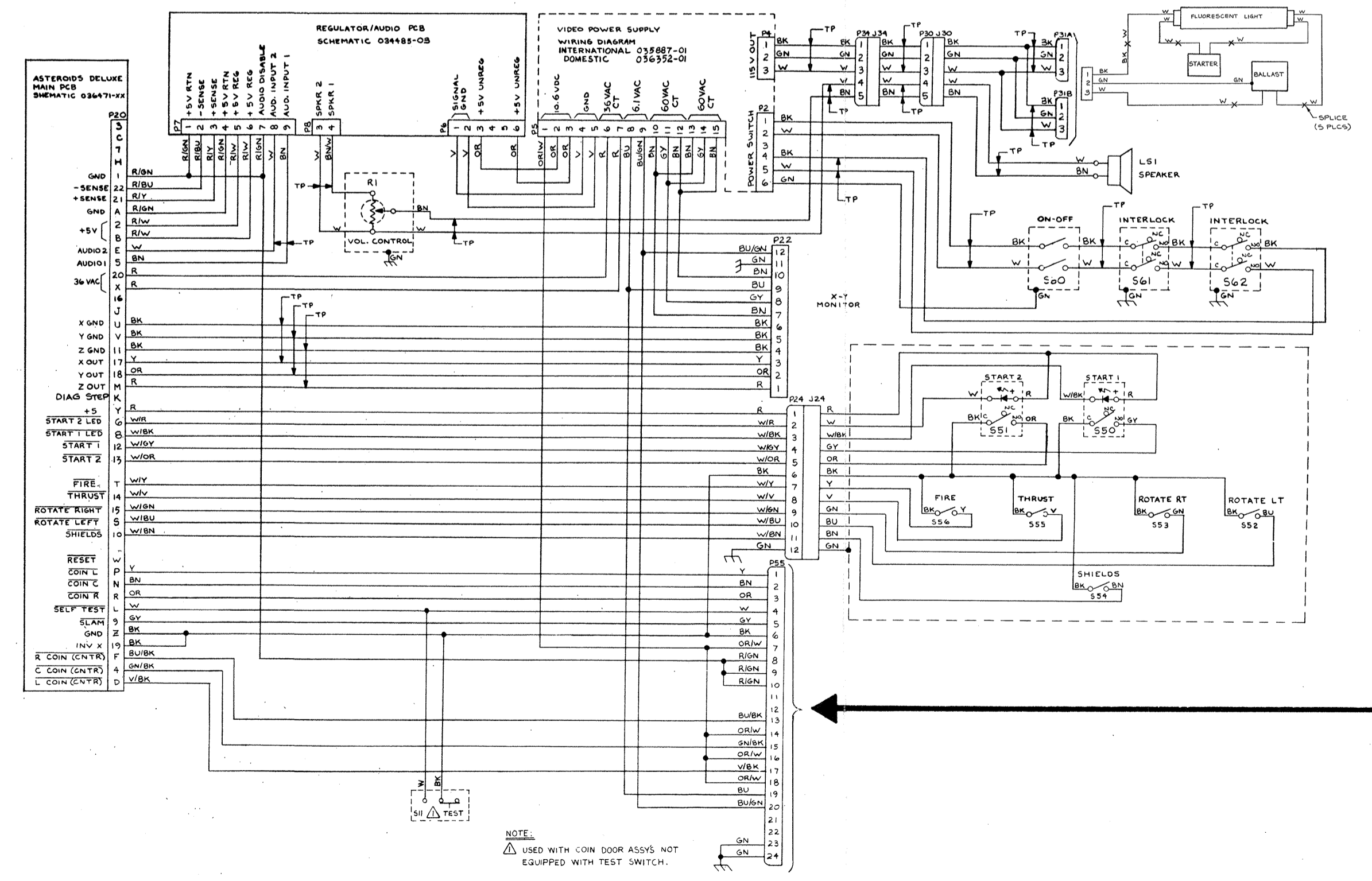
Denotes a test point

Drawing Package Supplement
 to
ASTEROIDS DELUXE™
Operation, Maintenance and Service Manual

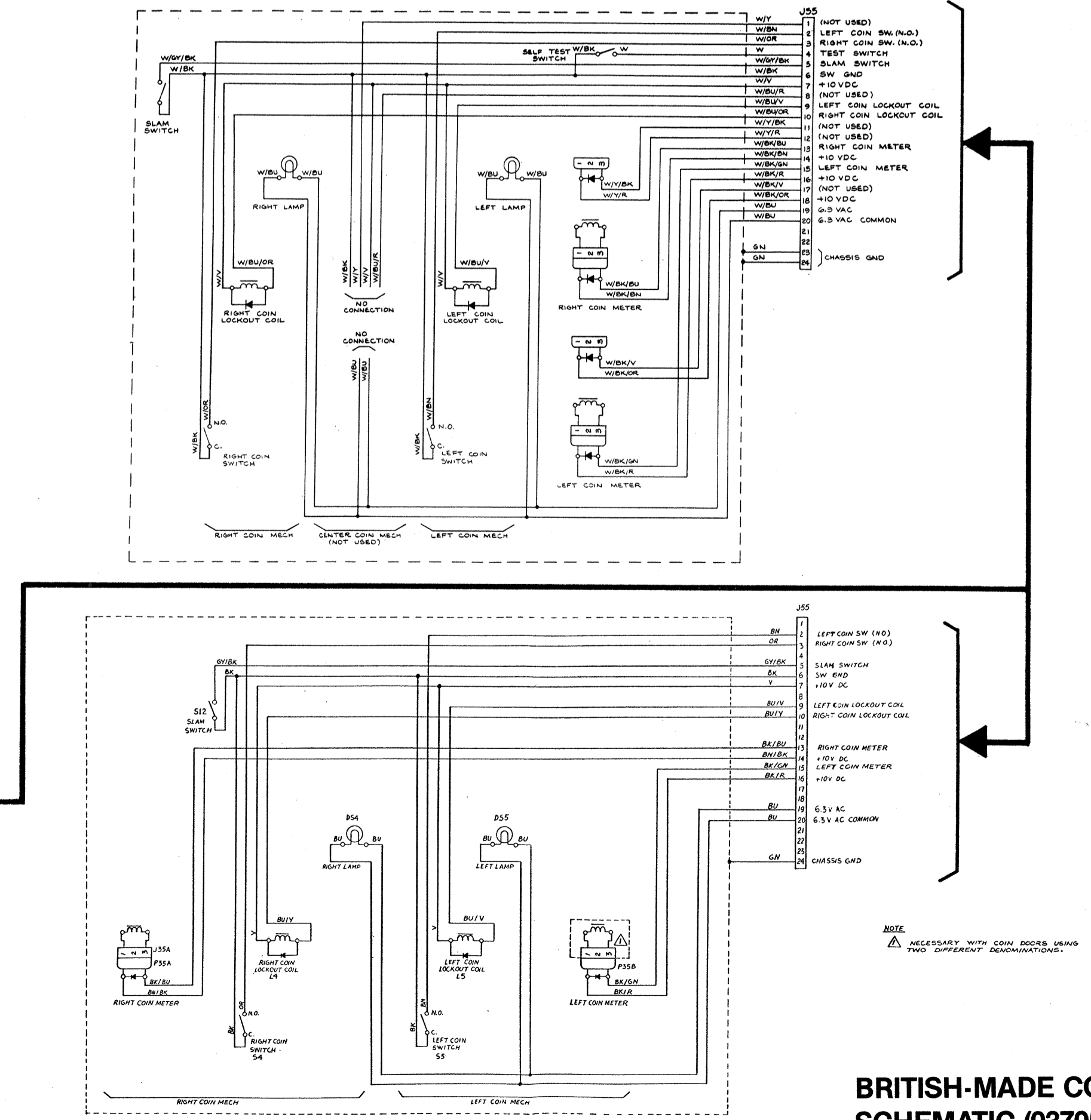
Contents of this Drawing Package

- Game Wiring Diagram, Coin Door and Power Supply Sheet 1, Side A
- Microprocessor Sheet 1, Side B
- Video Generator Sheet 2, Side A
- Switch Inputs, Coin Counter, LED and Audio Outputs Sheet 2, Side B

ASTEROIDS DELUXE™ WIRING DIAGRAM (036687-01 A)



U.S. COIN DOOR SCHEMATIC (034988-01)



BRITISH-MADE COIN DOOR SCHEMATIC (037050-01 A)

NOTICE TO ALL PERSONS RECEIVING THIS DRAWING
 CONFIDENTIAL: Reproduction forbidden without the specific written permission of Atari, Inc., Sunnyvale, CA. This drawing is only conditionally issued, and neither right, nor possession, thereof confers or transfers any right in, or license to use, the subject matter of the drawing or any design or technical information shown thereon, or any right to reproduce this drawing or any part thereof. Except for manufacture by vendors of Atari, Inc., and for manufacture under the corporation's written license, no right to reproduce this drawing is granted or the subject matter thereof unless by written agreement with or written permission from the corporation.

