



# Game Options

## DIP Switch Settings on Sub Board

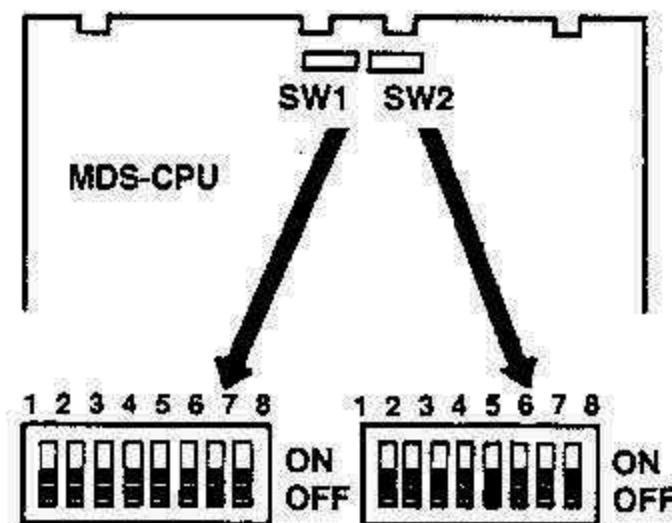
The DIP switch on the R.B.I. Baseball Sub Board must be set as follows for the game to function properly:

1	2	3	4
On	On	Off	On

## Game Option Settings on CPU Board

Set the DIP switch on the VS, or UniSystem Main Board to select the options you want. Switches 1 and 2 are used to select the value of the coin slot. Switches 3 and 4 are used to set the amount of time or innings per credit (the game software looks at whichever comes first—time expired or innings completed).

## Game Option Settings MDS P.C. Board



SW1—Main Left side for two-monitor game: not used for one-monitor game.

SW2—Sub Right side for two-monitor game. Also used for one-monitor game.

Settings of DIP Switch on CPU Board								Option
1	2	3	4	5	6	7	8	
Off	Off							<b>Coins Per Credit</b>
On	Off							1 coin = 1 credit ◀
Off	On							1 coin = 2 credits
On	On							2 coins = 1 credit
								3 coins = 1 credit
				Off				<b>Attract mode</b>
				On				<b>Maximum Game Length</b>
								1-Player Game (in Innings)
								2-Player Game (in Innings)
								Time (in Minutes)
		On	Off					2
		On	On					1
		Off	Off					2 ◀
		Off	On					2
								3
								4
								3
								7
								Off Off Off <b>Required Settings</b>

◀ Manufacturer's recommended setting