

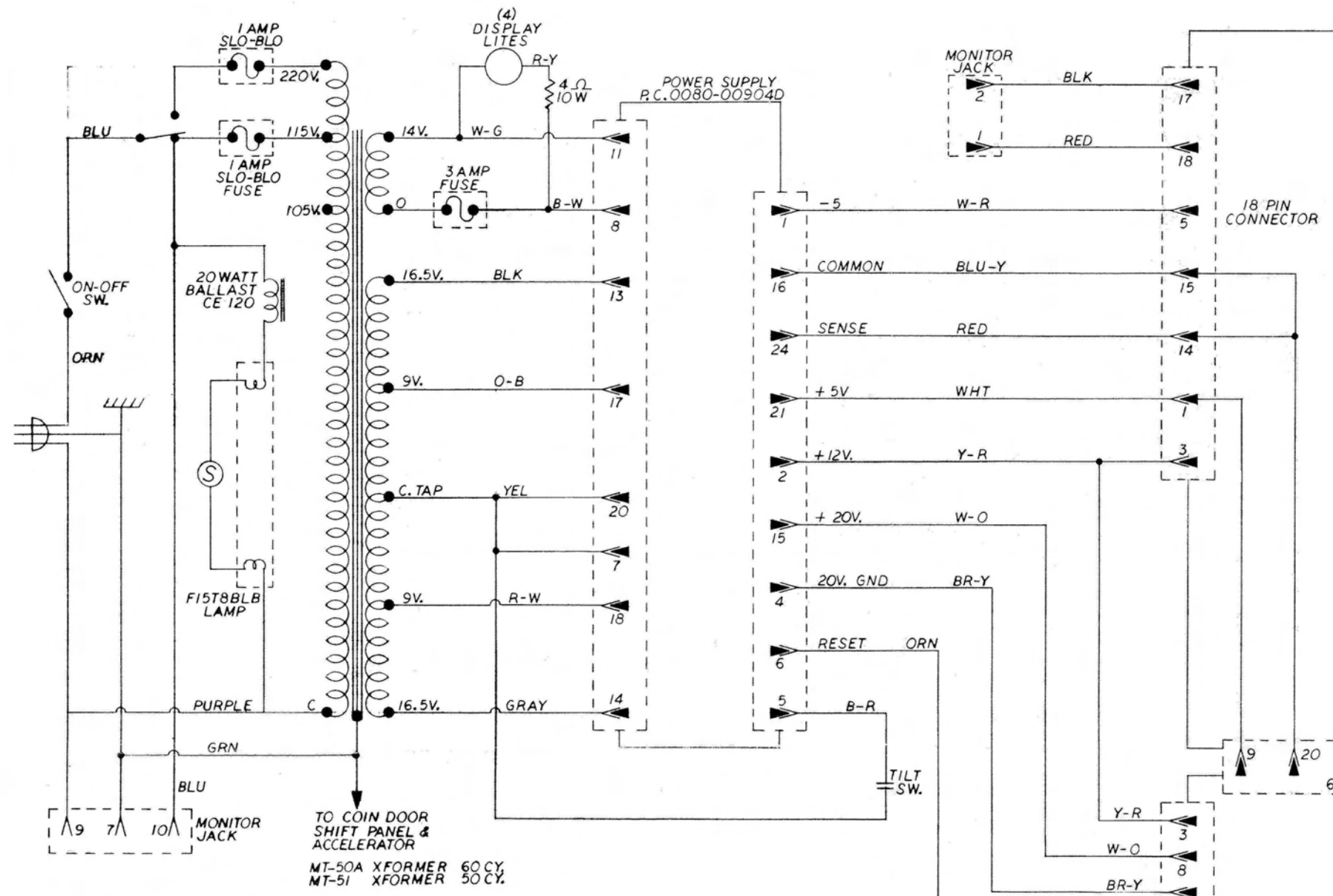
B

C

D

E

F

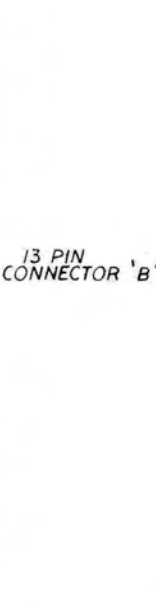
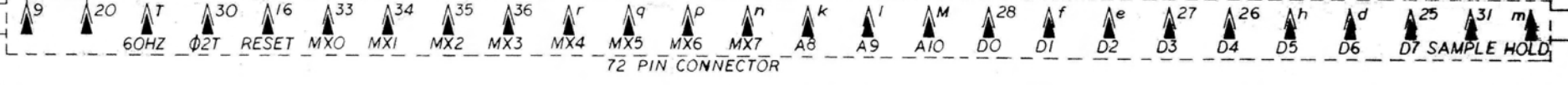


| WIRE COLOR CODE | | SWITCH SYMBOLS | |
|---|-------------------|----------------|--|
| B = BLACK | O = ORANGE | ⏏ | "NORMALLY OPEN" CLOSED WHEN ENERGIZED. |
| BLU = BLUE | R = RED | ⏏ | "NORMALLY CLOSED" OPEN WHEN ENERGIZED. |
| BR = BROWN | W = WHITE | ⏏ | MAKE & BREAK |
| G = GREEN | Y = YELLOW | ⏏ | MOTOR CAM SWITCH |
| EXAMPLE: G-R INDICATES GREEN WIRE WITH RED TRACER | | ⏏ | .1 MFD. CAPACITOR |
| ABBREVIATIONS USED | | | |
| J = JUMPER | SW = SWITCH | | |
| RE = RELAY | POS = POSITION | | |
| SU = STEP UP UNIT | OSC = OSCILLATING | | |

P.C.0080-00900D
MOTHER BOARD

280ZZZAP
MIDWAY MFG. CO.
10750 GRAND AVE.
FRANKLIN PARK, IL. 60131

DEC. 1, '76



P.C.0610-00907 GAME LOGIC BOARD