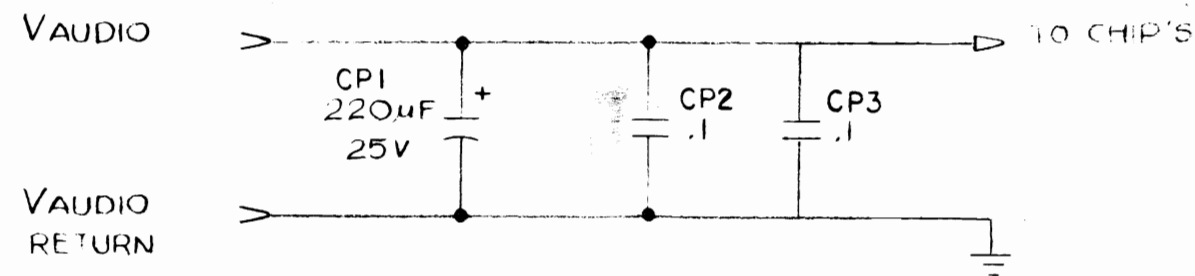
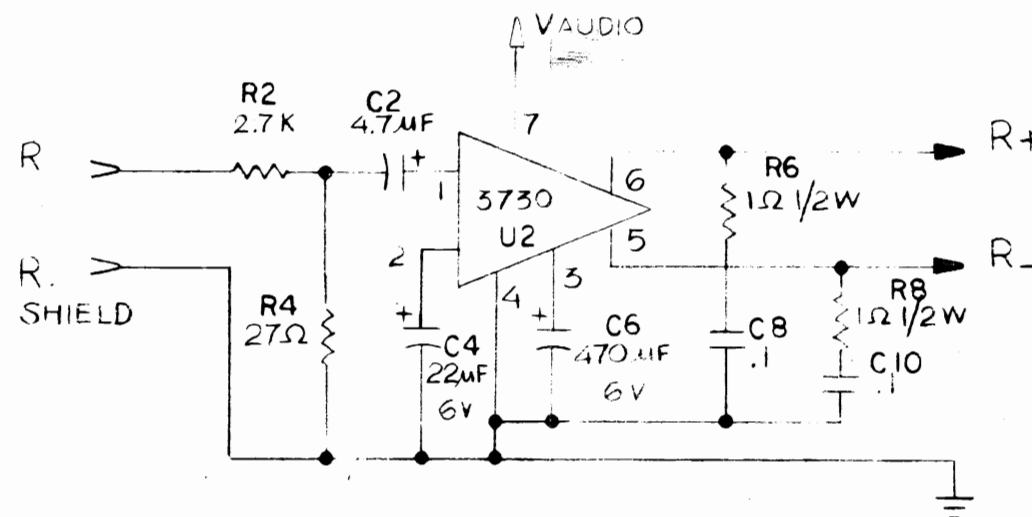
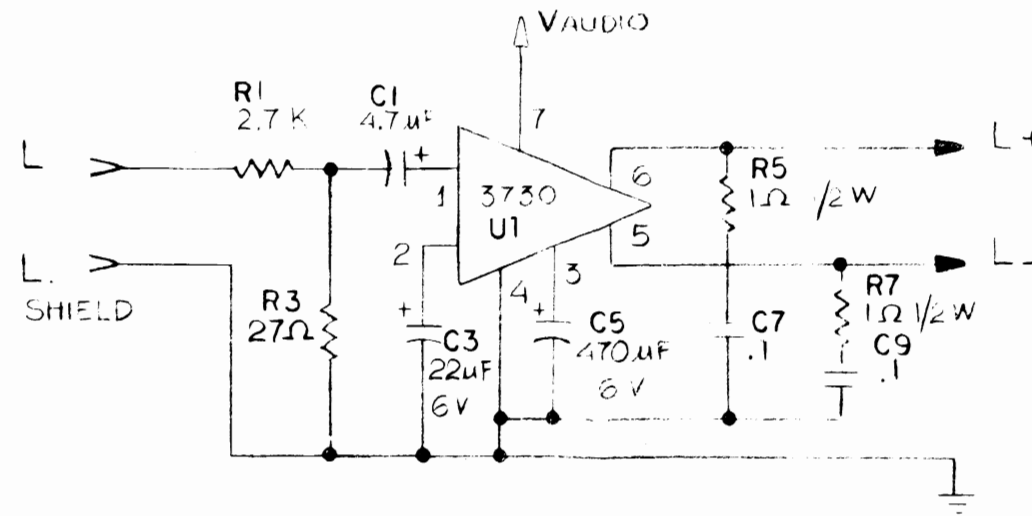


| J1    |               |
|-------|---------------|
| PIN 1 | NC.           |
| " 2   | L. AUDIO      |
| " 3   | L. SHIELD     |
| " 4   | KEY           |
| " 5   | VAUDIO RETURN |
| " 6   | R. AUDIO      |
| " 7   | R. SHIELD     |
| " 8   | VAUDIO        |

| J2    |     |
|-------|-----|
| PIN 1 | R + |
| " 2   | R - |
| " 3   | KEY |
| " 4   | L + |
| " 5   | N.C |
| " 6   | L - |



PROJECT ENG. C. MEDNICK

M051-00986-D011 THIS DWG. IS CONFIDENTIAL & PROPERTY OF MIDWAY MFG. CO.

|   |               |               |          |
|---|---------------|---------------|----------|
| DIM. TOLERANCES<br>UNLESS OTHERWISE SPEC. |               | FIRST USED ON | MCR II   |
| CONCENTRICITY T.I.R.                      | .002          | DRN           | T.V.T    |
| FRACTIONAL                                | ± 1/64        | DATE          | 11-30-81 |
| DECIMAL                                   | ± .005        | MECH. CHK     |          |
| HOLE DIA.                                 | + .002 - .000 | MAT'L         |          |
| ANGLE                                     | ± 1/2°        | ELEC. CHK     |          |
| DO NOT SCALE DWG                          |               | FINISH        |          |

**MIDWAY MFG. CO.**  
FRANKLIN PK., IL. 60131 A BALLY CO.

DUAL PWR AMP

| REVISIONS |                           |
|-----------|---------------------------|
| PART NO.  | A-0-8-0-9-0-9-1-0-D-0-0-0 |