

Midway's

GAME NO. 591 & 592
FEBRUARY, 1975

WHEELS

&

RACE

PARTS

CATALOG



MIDWAY MFG. CO.

10750 WEST GRAND AVENUE
FRANKLIN PARK, ILLINOIS, 60131, U. S. A.

PHONE: (312) 451-1360

CABLE ADDRESS: MIDCO

TELEX NO.: 72-1596

TABLE OF CONTENTS

	Page No.
GENERAL INSTRUCTIONS	1
ADJUSTMENT INSTRUCTIONS	3
WHEELS	4—5
RACER	6—7
WHEELS & RACER STEERING WHEEL ASSEMBLY	8—9
WHEELS & RACER ACCELERATOR PEDAL ASSEMBLY	10—11
WHEELS & RACER GEAR SHIFT ASSEMBLY	12—13
WHEELS & RACER ADDITIONAL PARTS LIST	14—15
MONITOR SCHEMATIC DIAGRAM	16
LOGIC BOARD PARTS LAYOUT	Inside Back Cover

GENERAL INSTRUCTIONS FOR 'WHEELS'

INSTALLATION:

Fasten four provided leg levelers to bottom of cabinet. The power is controlled by a switch located on the lower back wall of the cabinet. Plug into A.C. only, 115 volts, 60 cycles.

EXTENDED PLAY ADJUSTMENT SWITCH:

Located on Logic Unit (PC591-901) and is adjustable from 200 to 800 points. See adjustment instructions located in back box area.

COIN CONTROL ADJUSTMENTS:

Located on Logic Unit (PC 591-901) and may be set at one coin per play, two coins per play, and two plays per coin. See adjustment instructions located in back box area.

GAME TIME POT:

Located on Logic Unit (PC 591-901) and may be increased by rotating pot as indicated by instructions in back box area.

TACHOMETER ADJUSTMENT POT:

Located on Logic Unit (PC 591-901) and should be adjusted to 8000 RPM in low gear. To adjust, rotate pot as indicated by instructions in back box area.

HIGH GEAR SPEED ADJUSTMENT POT:

Located on Logic Unit (PC 591-901) and may be adjusted to desired high speed by rotating pot as indicated by instructions in back box area.

VOLUME CONTROL POT:

Located on Logic Unit (PC 591-901) and may be increased by rotating pot as indicated by instructions in back box area.

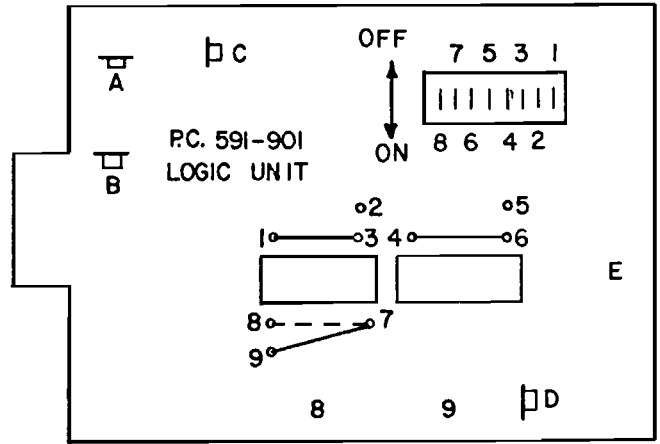
VOLTAGE CONTROL POT:

Located on Power Supply (PC 591-905). This voltage is pre-set at the factory and should not be tampered with. In the event the Power Supply must be changed, adjust voltage to 5.1V by rotating pot as indicated by instructions in back box area.

ADJUSTMENT INSTRUCTIONS

IMPORTANT: Clockwise is defined as the direction viewed from the pot face.

- A. Volume: To increase, rotate pot clockwise.
- B. Tachometer: Should be set at 8000 RPM in low gear. To increase, rotate clockwise.
- C. High Gear Speed: To increase speed, rotate counter-clockwise.
- D. Game Time: To increase game time, rotate counter-clockwise.



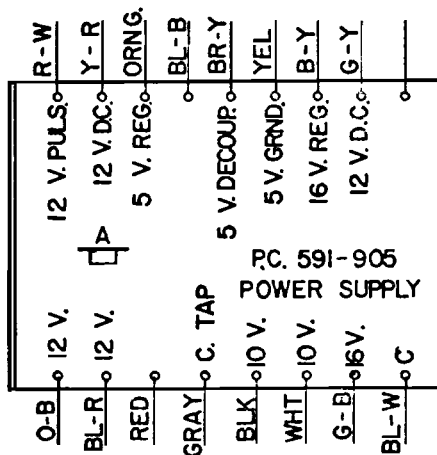
COIN CONTROL ADJUSTMENTS:

- | | |
|-----------------|-----------------------------------|
| 1 Coin per Play | Jumper 1 to 3 .. 4 to 6 .. 7 to 9 |
| 2 Play per Coin | Jumper 1 to 3 .. 4 to 5 .. 7 to 9 |

EXTENDED PLAY ADJUSTMENTS:

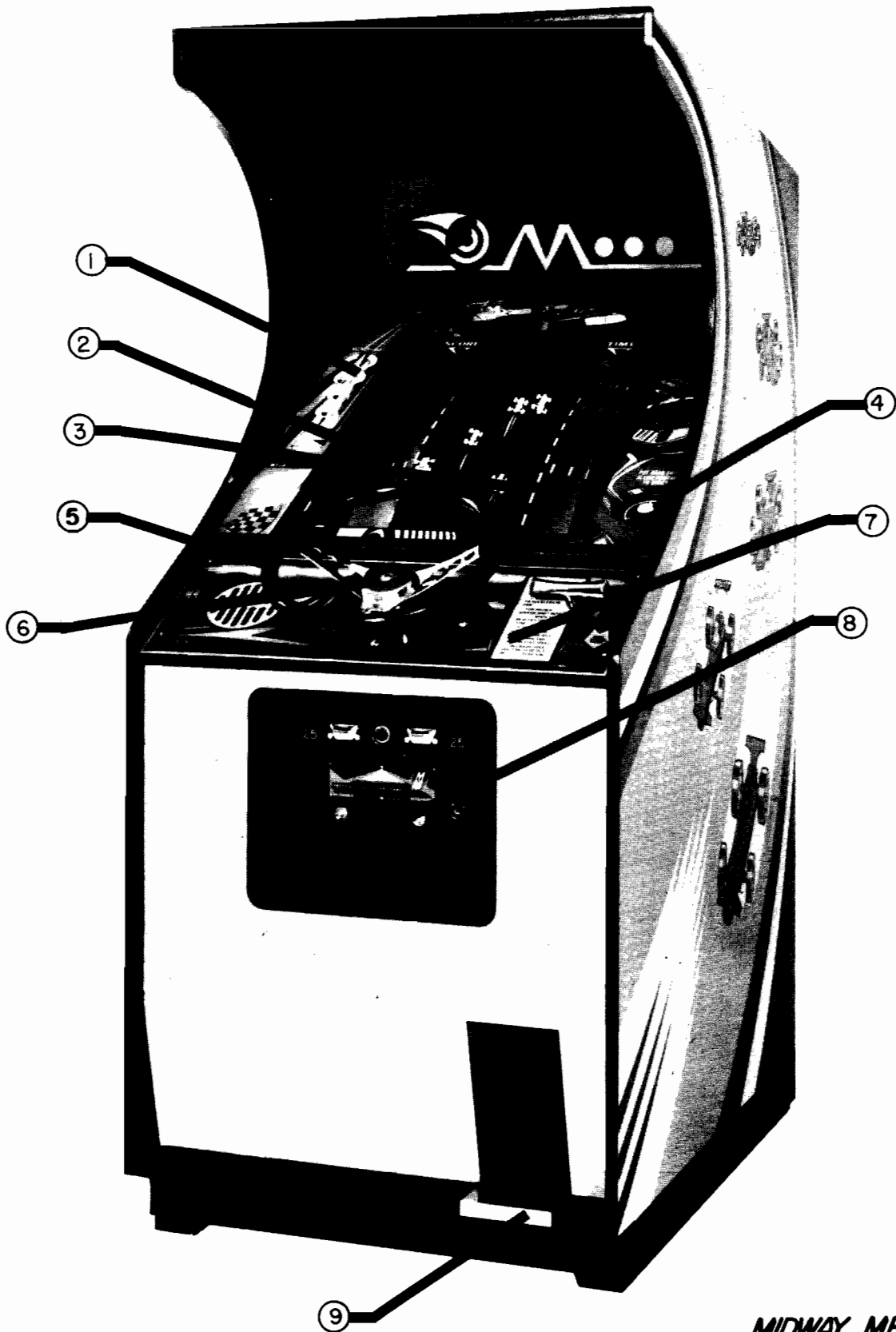
- | | |
|---------------|---------------|
| SW 2 ON = 200 | SW 6 ON = 600 |
| SW 3 ON = 300 | SW 7 ON = 700 |
| SW 4 ON = 400 | SW 8 ON = 800 |
| SW 5 ON = 500 | SW 1 OPEN |

POWER SUPPLY WIRING



- A. Voltage Control: To increase voltage, rotate counter-clockwise.

NO. 591 - WHEELS



MIDWAY MFG. CO.

WHEELS
PRICE LIST
ORDER BY PART NUMBER ONLY

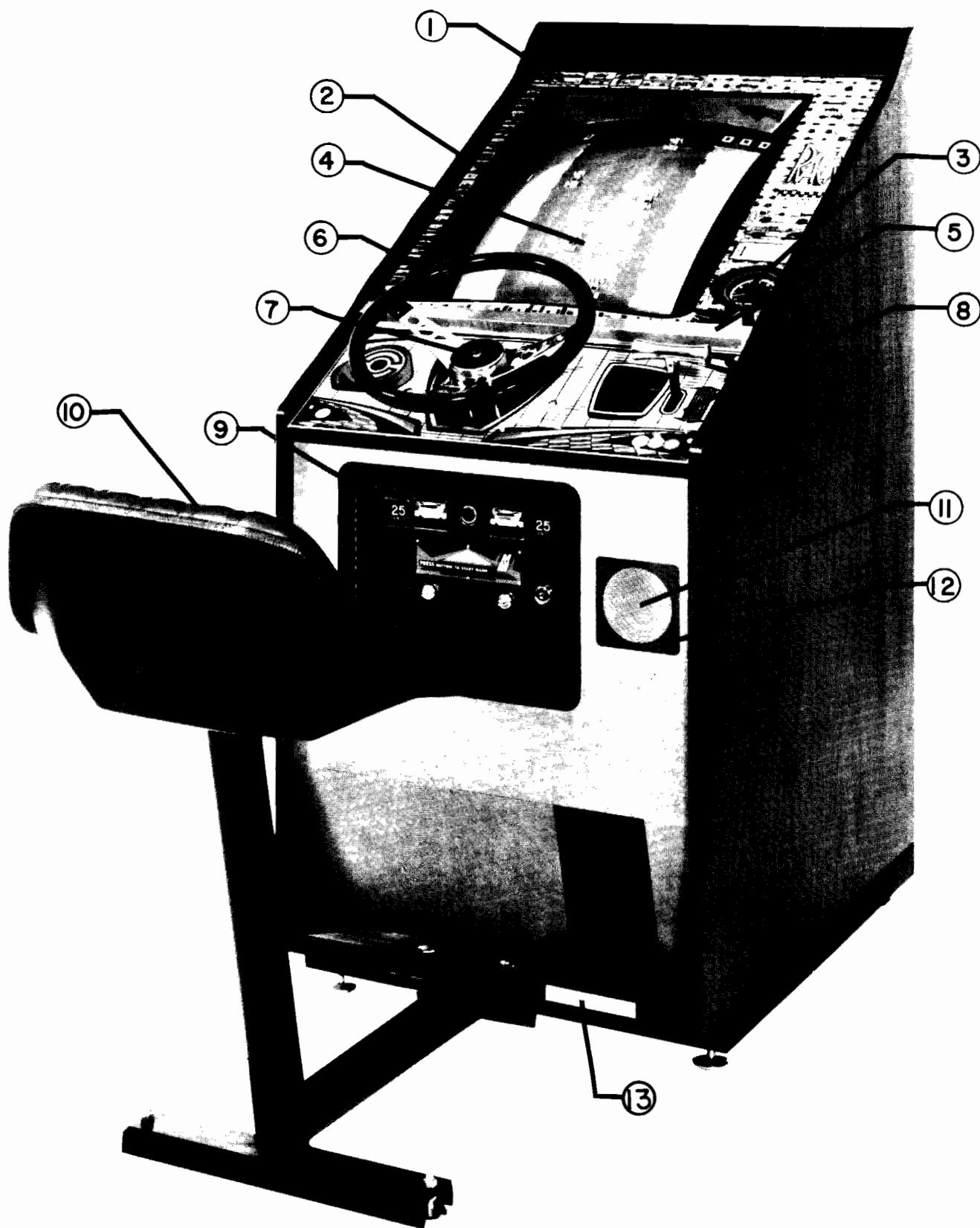
ITEM	PART N^o	DESCRIPTION	PRICE
1.	591-900	TEMPERED DISPLAY GLASS	\$49.10
2.	575-905	23" T.V. BEZEL	14.40
3.	17-3-140	23" T.V. MONITOR	390.00
4.	17-3-141	TACHOMETER	23.00
5.	17-9-170	STEERING WHEEL	22.30
6.	17-9-67	HORN BUTTON ASSY.	4.00
7.	591-901	CONTROL PLATE	13.70
8.	90-020-2	COMPLETE FRONT DOOR ASSY.	95.00
9.	591-125	PEDAL WEAR PLATE	1.00
	591-020	CHAIR ASSY.	170.40
	17-9-205	SEAT ONLY	42.00

MIDWAY MFG. CO.

PRICES SUBJECT TO CHANGE WITHOUT NOTICE

PAGE 5

NO. 592 RACER

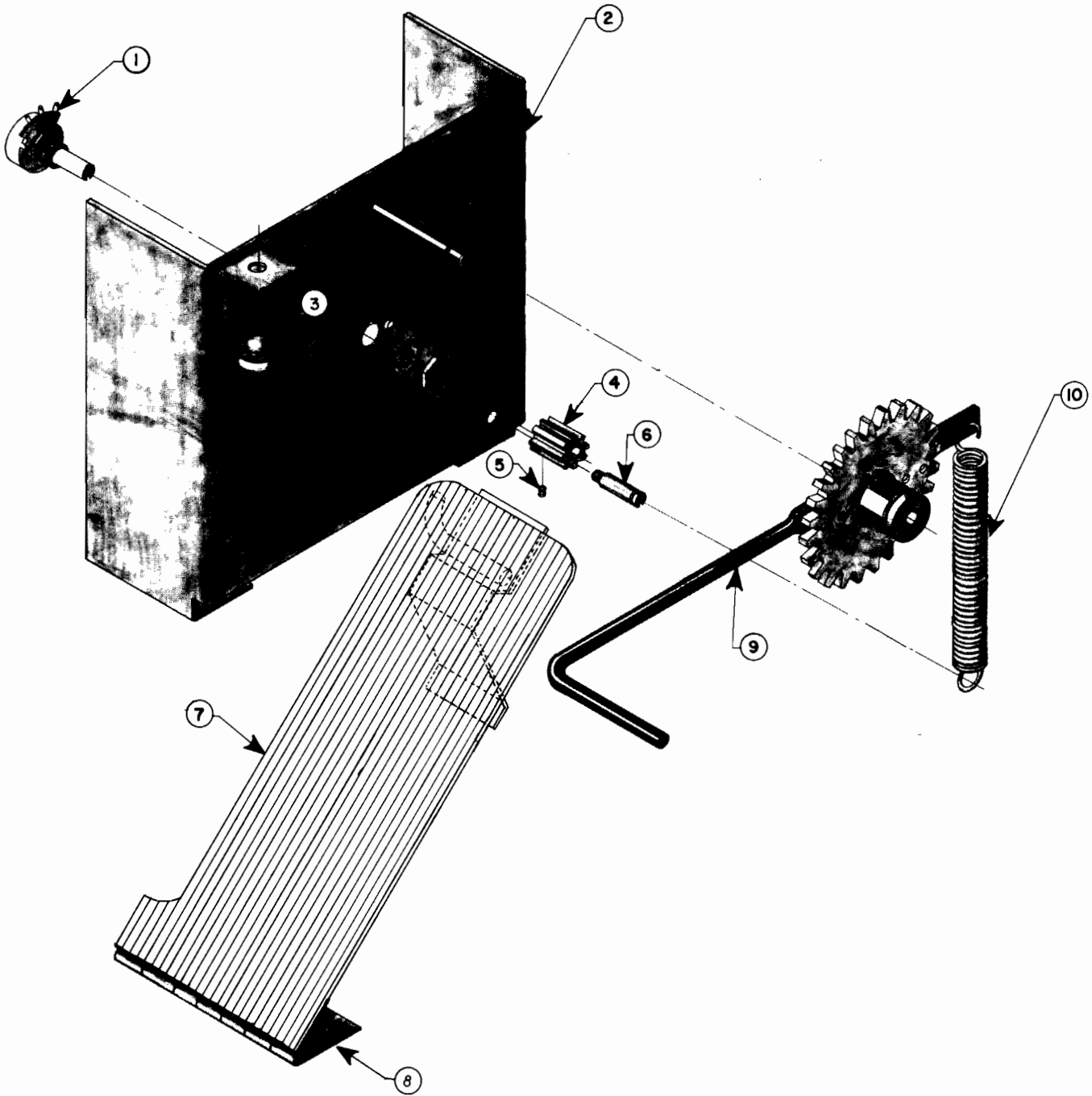


MIDWAY MFG. CO.

NO. 592 – RACER
PRICE LIST
ORDER BY PART NUMBER ONLY

ITEM	PART N^o	DESCRIPTION	PRICE
1	592-900	TEMPERED DISPLAY GLASS	37.00
2	575-905	23" T.V. BEZEL	14.40
3	17-3-141	TACHOMETER	23.00
4	17-3-140	23" T.V. MONITOR	390.00
5	592-100	CHANNEL TRIM	3.00
6	17-9-170	STEERING WHEEL	22.30
7	552-009	HORN BUTTON ASS'Y	4.00
8	592-901	CONTROL PLATE	10.30
9	90-020-2	COMPLETE FRONT DOOR ASSY.	95.00
10	591-020	CHAIR ASSY.	170.40
11	549-128	SPEAKER GRILL	1.00
12	547-035	SPEAKER BEZEL ASSY.	2.00
13	591-125	PEDAL WEAR PLATE	1.00
	17-9-205	SEAT ONLY	42.00

NO. 591, 592 WHEELS & RACER - ACCELERATOR PEDAL ASSY.



MIDWAY MFG. CO.

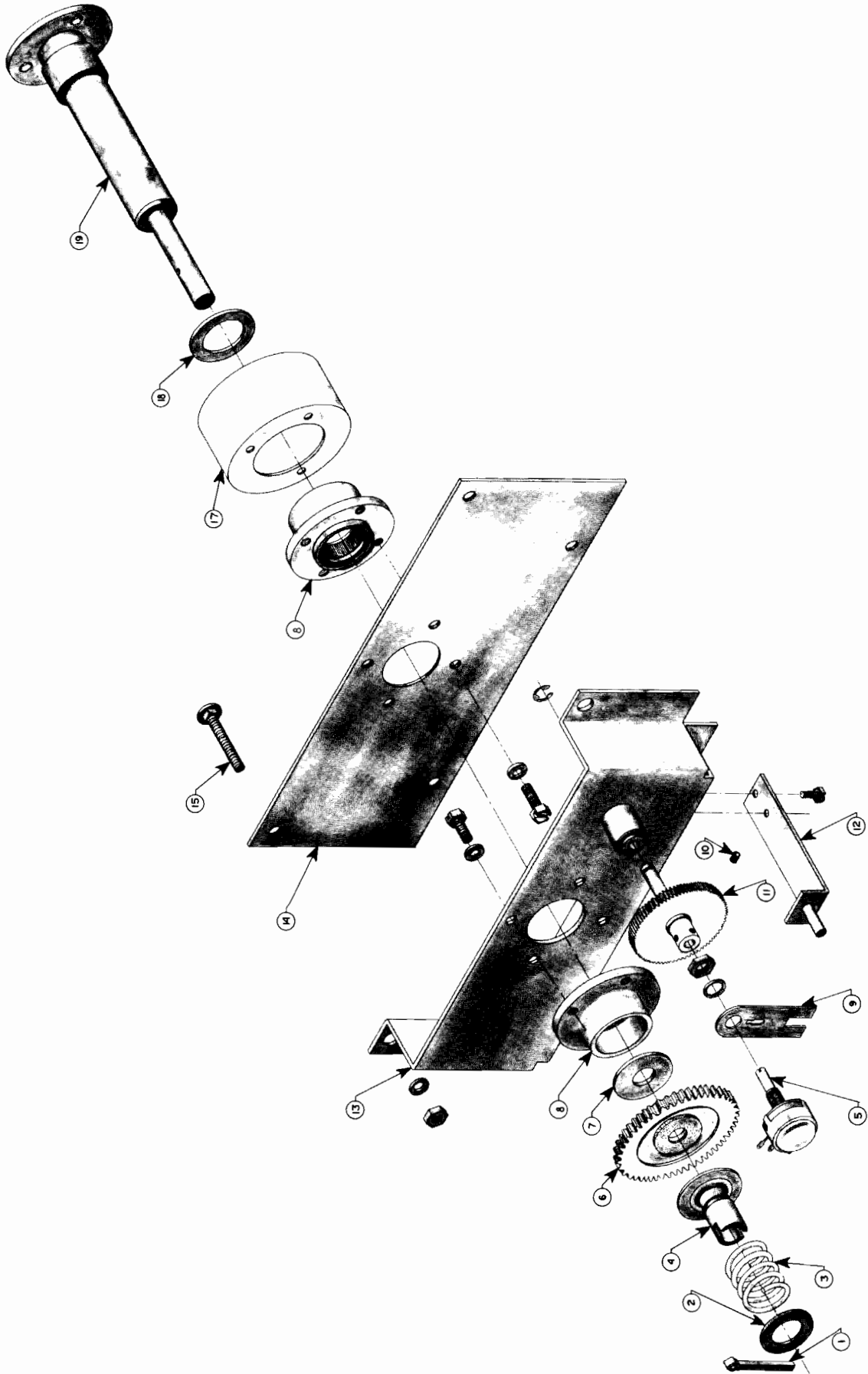
591-592 ACCELERATOR PEDAL ASSY.**PRICE LIST***ORDER BY PART NUMBER ONLY*

ITEM	PART NO	DESCRIPTION	PRICE
1	17-13-143	5K POT	5.00
2	591-014	MTG. BRKT. ASSY.	5.70
3	17-41-15	RUBBER BUMPER	.20
4	583-723	GEAR	1.80
5	17-101-308	#8-32 x 3/16 – SOCKET SET SCREW	.20
6	11-100-5	STUD	.30
7	591-910	ACCELERATOR (RUBBER) PEDAL COVER	1.60
8	591-002	ACCELERATOR PEDAL & HINGE ASSY.	8.80
9	591-013	GEAR & LEVER ASSY.	5.00
10	10-228	SPRING	.50

MIDWAY MFG. CO.

PRICES SUBJECT TO CHANGE WITHOUT NOTICE

PAGE 9



NO. 591 WHEELS & 592 RACER STEERING WHEEL ASSY.

PRICE LIST

ORDER BY PART NUMBER ONLY

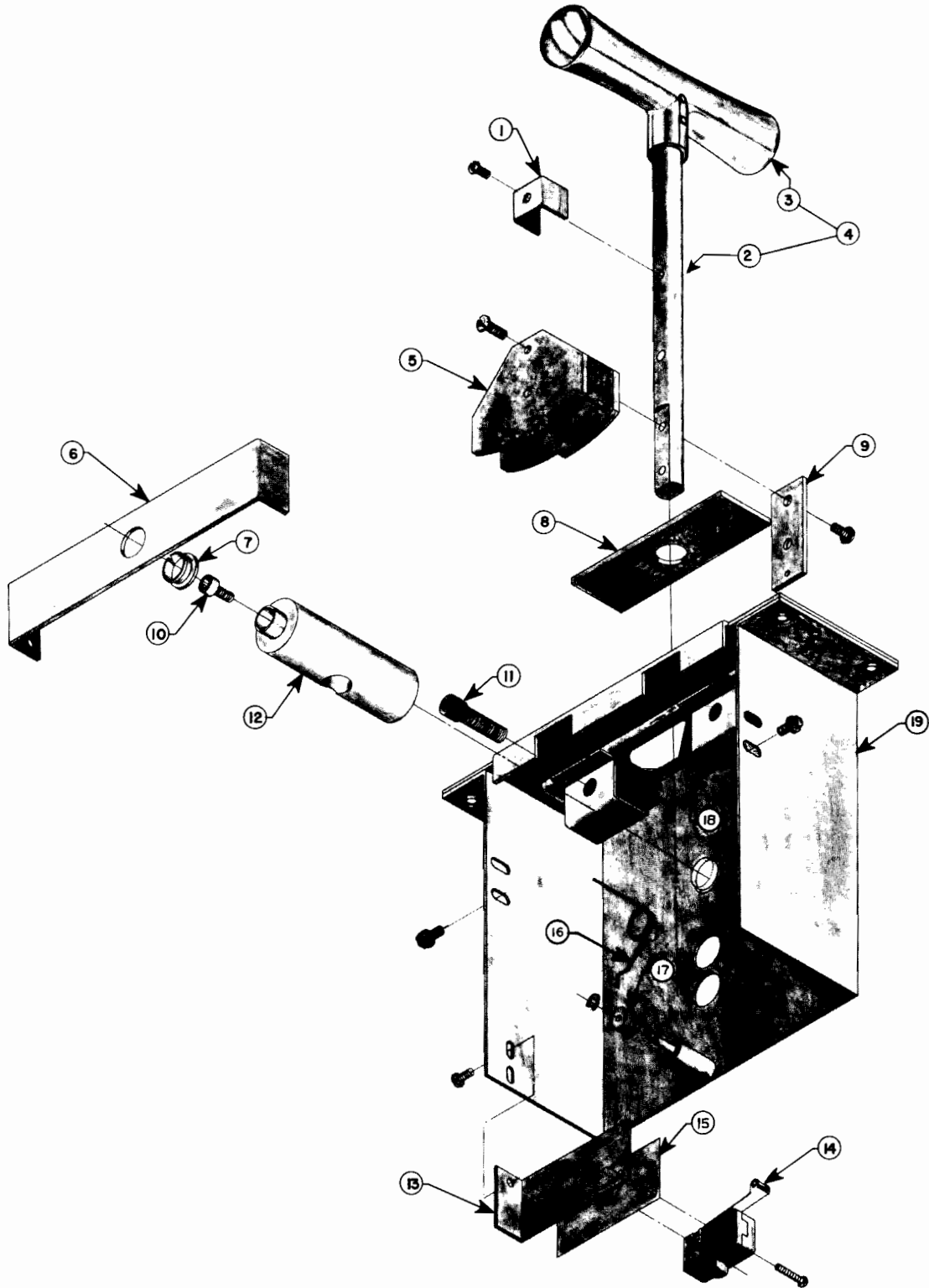
ITEM	PART N^o	DESCRIPTION	PRICE
1	17-7-45	1/8 x 1-1/4 COTTER PIN	.20
2	17-104-54	FLAT WASHER	.20
3	10-213	CLUTCH SPRING	.30
4	591-004	CLUTCH WASHER & BUSHING SUB. ASSY.	2.10
5	17-14-11	CLUTCH POT – 25K	6.90
6	591-007	GEAR & WASHER SUB ASSY.	4.60
7	17-104-59	FLAT WASHER .510 x 1-5/8 x 3/32 THK.	.20
8	17-9-88	BEARING	2.60
9	591-105	POT LOCATOR	.40
10	17-101-308	8-32x3/16 SETS	.20
11	591-003	SHAFT & GEAR SUB. ASSY.	3.80
12	591-005	BRACKET & POST SUB. ASSY.	.90
13	591-006	MAIN MTG. BRKT. & BUSHING SUB. ASSY.	6.40
14	591-107	STEERING MTG. PLATE	.60
15	17-102-19	1/4 x 20 x 1-1/2 CARR. BOLT	.20
17	552-119	STEERING POST SHIELD	4.20
18	17-104-56	1" x 1-1/2 x 1/16 FLT. WASHER	.20
19	552-008	STEERING HUB FLANGE SUB. ASSY.	11.60

MIDWAY MFG. CO.

PRICES SUBJECT TO CHANGE WITHOUT NOTICE

PAGE 11

NO. 591 , 592 - WHEELS & RACER-GEAR SHIFT ASSY.



NO. 591, 592 GEAR SHIFT ASSY.
PRICE LIST
ORDER BY PART NUMBER ONLY

ITEM	PART N ^o	DESCRIPTION	PRICE
1	591-127	U-BRACKET	.20
2	591-704	ROD HANDLE	3.20
3	591-708	T-SHIFT HANDLE	6.40
4	591-009	T-SHIFT & ROD ASSY.	9.80
5	591-103	SWITCH ACTUATOR	.40
6	591-114	BEARING SUPPORT PLATE	.70
7	17-42-21	NYLINER	.30
8	591-902	SLIDE	.30
9	591-118	SPRING PLATE	.70
10	17-101-720	10-32 x 3/4 SOCKET CAP MACH SCREW	.20
11	17-102-65	5/16-18 x 3/4 LG. SOCKET HEAD CAP M.S.	.20
12	591-703	PIVOT BUSHING	4.40
13	591-120	SWITCH MOUNTING BRACKET	.70
14	17-150-32-09	CHERRY SWITCH	2.70
15	588-911	INSULATOR	.20
16	10-227	TORSION SPRING	.60
17	591-702	SPRING ROLLER	.50
18	544-907	RUBBER BUMPER	.20
19	591-010	CONTROL HOUSING	5.80

NO. 571 WHEELS & NO. 572 RACER – ADDITIONAL PARTS LIST

PRICE LIST

ARRANGED IN NUMERICAL ORDER

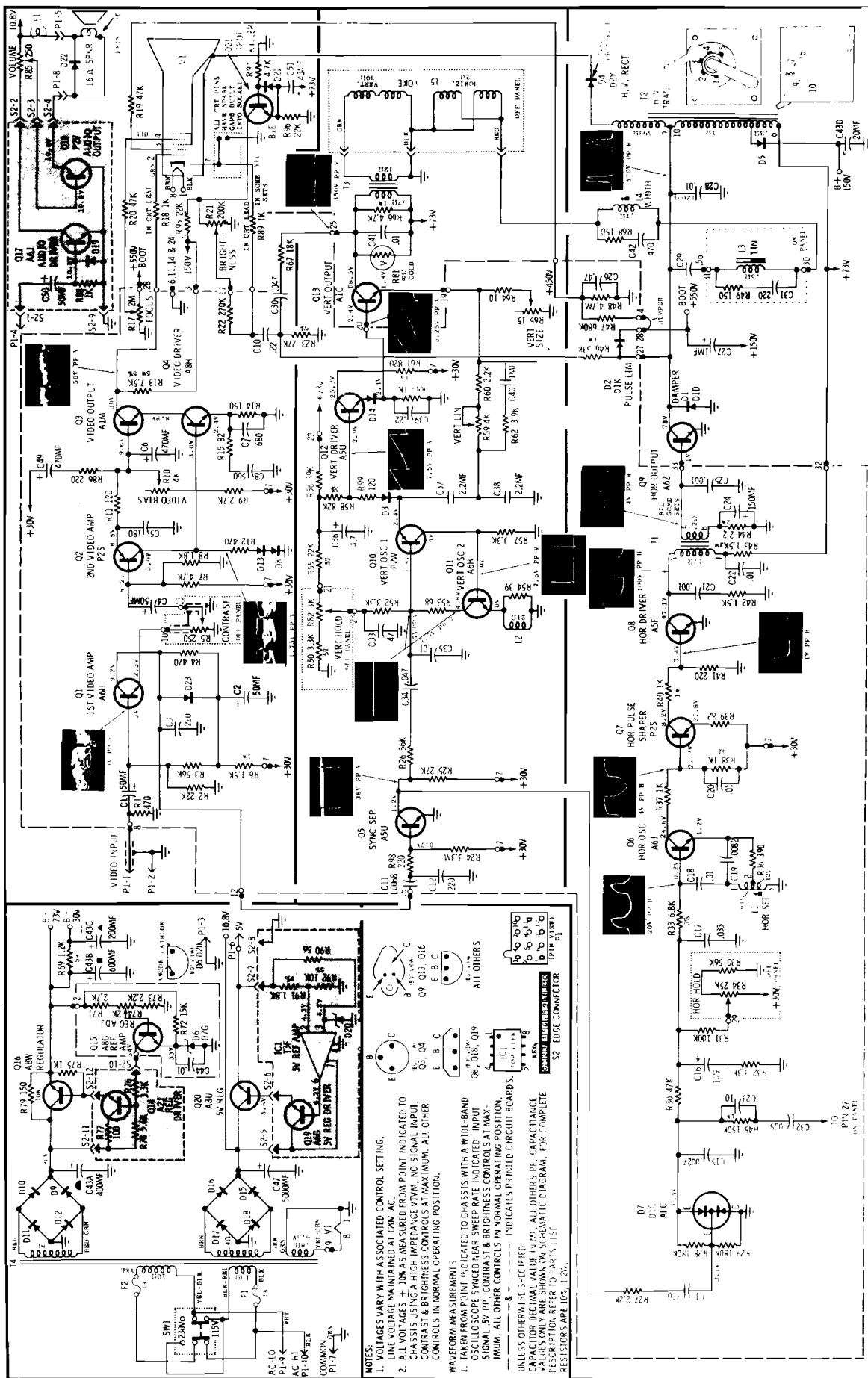
PART NO.	DESCRIPTION	PRICE
591-906	SCRIM (SPEAKER CLOTH)	.30
17-91-50	GREEN ACETATE SHEET	2.40
17-8-68	GREEN MONITOR PAINT	Per Can 11.90
17-3-32	SPEAKER	5.40
17-41-576	SPEAKER GASKET	.20
591-909	ADHESIVE STRIP FOR ACETATE SHEET	.20
17-050-5-46	BACK DOOR LOCK (1350)	3.40
601-010	CASH BOX LOCK BRACKET	1.40
566-120	CASH BOX	5.80
566-121	CASH BOX COVER	1.70
17-093-102-48	LEG LEVELERS	.60
17-3-55	LAMPS	.20
17-086-31-02	SOCKETS	.20
591-908	TACH. COVER	.60
567-003	P.C. SUPPORT ASSY.	1.60
591-129	INSULATOR	.20
591-017	P.C. SUPPORT ASSY.	.80
592-002	LOCK BRACKET ASSY.	3.30
592-104	CHASSIS MTG. BRKT.	.60
592-001	HV. CHASSIS BRKT.	1.70
17-101-669	10-32 x 1 WHIZZ BOLT M.S.	.20
567-106-1	SWITCH MTG. PLATE	.60
591-011	GEAR SHIFT ASSY. (COMPLETE)	39.00
591-016	STEERING WHEEL ASSY. (COMPLETE)	91.40
591-015	ACCELERATOR PEDAL ASSY. (COMPLETE)	33.90
592-105	STIFFENER BRKT.	1.60
572-103	VENT GRILL	4.40
591-119	TIE DOWN BRACKET	.50

MIDWAY MFG. CO.

PRICE LIST**ARRANGED IN NUMERICAL ORDER**

PART NO.	DESCRIPTION	PRICE
591-904-1	TREAD RUBBER	1.70
591-904-2	TREAD RUBBER	2.40
591-123	TACHOMETER MTG. BRKT.	.60
17-101-672	10-32 x 1-1/8 CARR. BOLTS (MONITOR)	.20
17-101-660	8-32 x 1-1/4 CARR BOLTS CONTROL P.C.	.20
591-905	POWER SUPPLY P.C.	90.00
MT45	TRANSFORMER 50 & 60 CYC. (FOREIGN OR DOMESTIC	10.00
MT46	60 CYC. DOMESTIC	25.00
MT47	50 CYC. FOREIGN	28.00
591-903	LOGIC P.C.	600.00

MIDWAY MFG. CO.



Schematic Diagram

