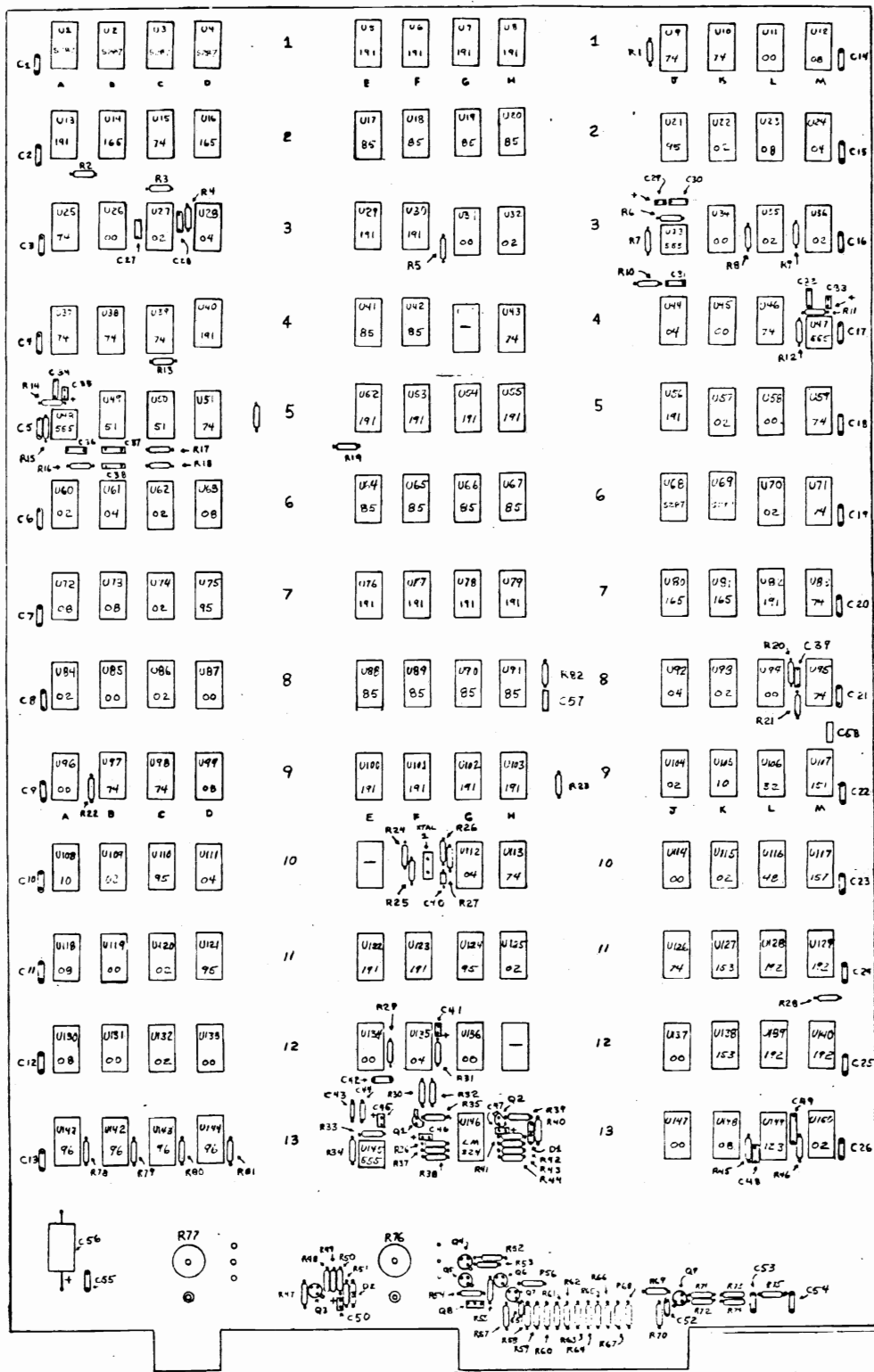


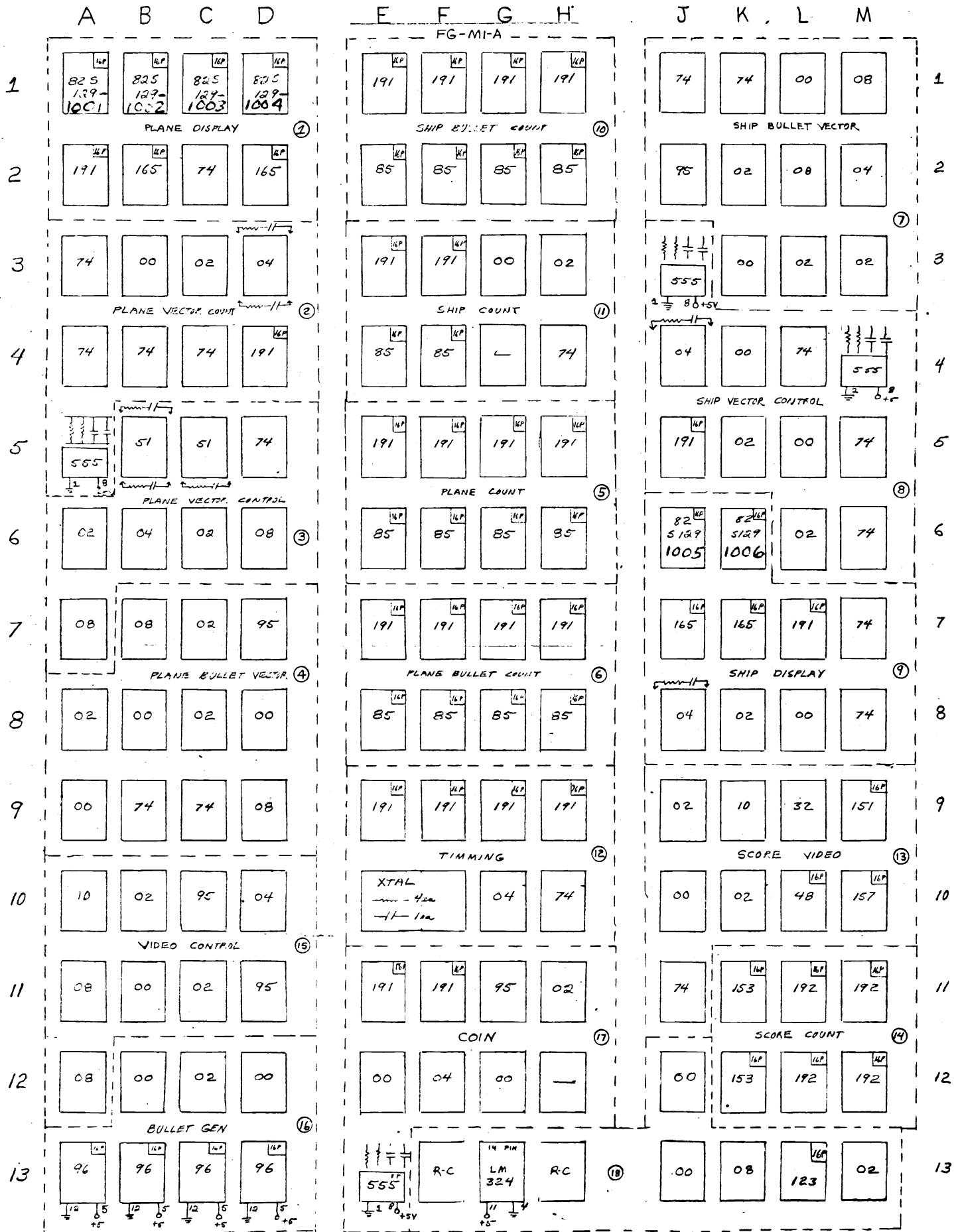
ATTACK

BY *Evidy*

LOGIC DIAGRAM 1A



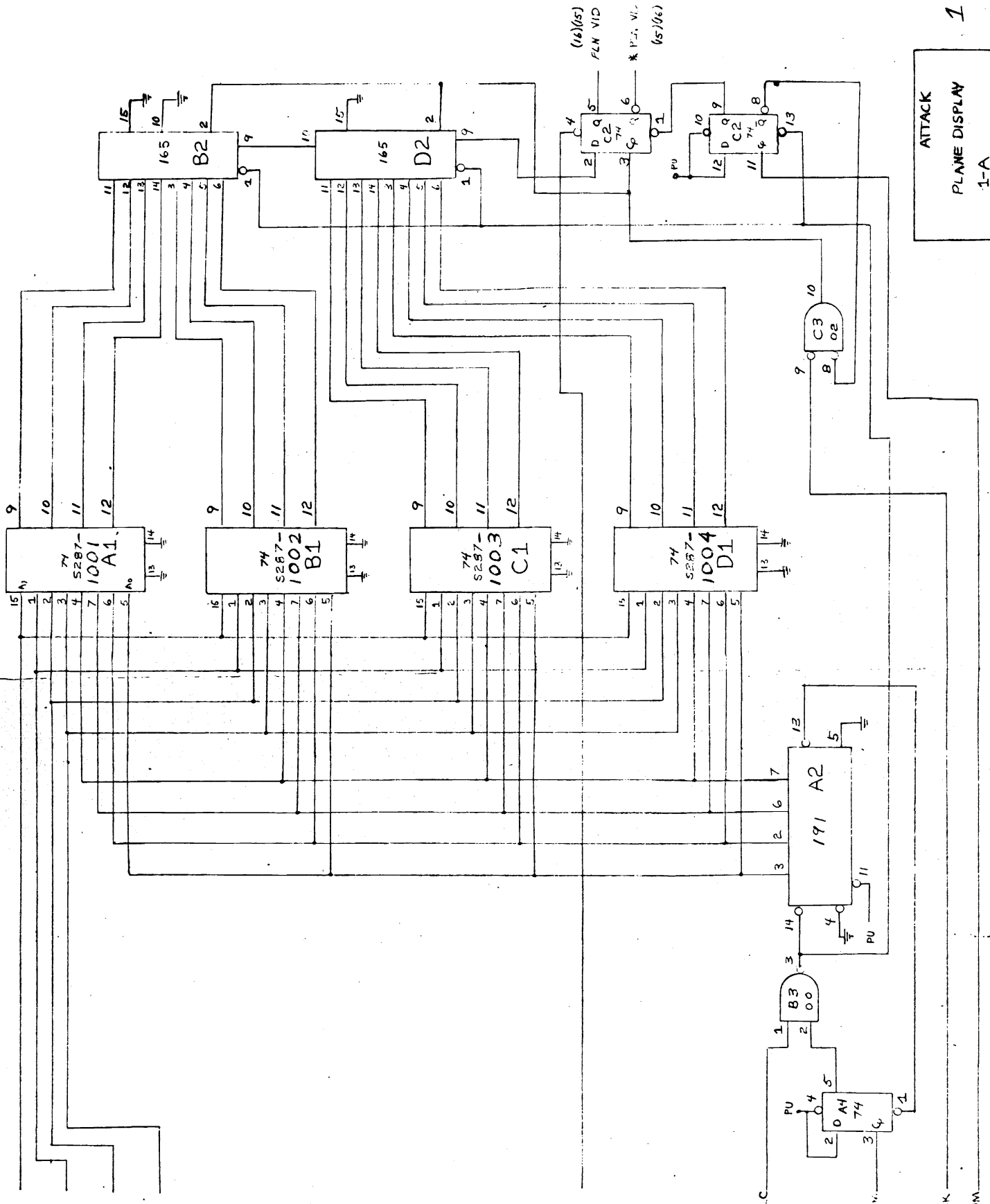
COMPONENT LOCATION
 1-A ATTACK



1-A
ATTACK

IC LOCATION

- (2) PV-D
- (2) PV-C
- (2) PV-B
- (2) PV-A



(17) * POR

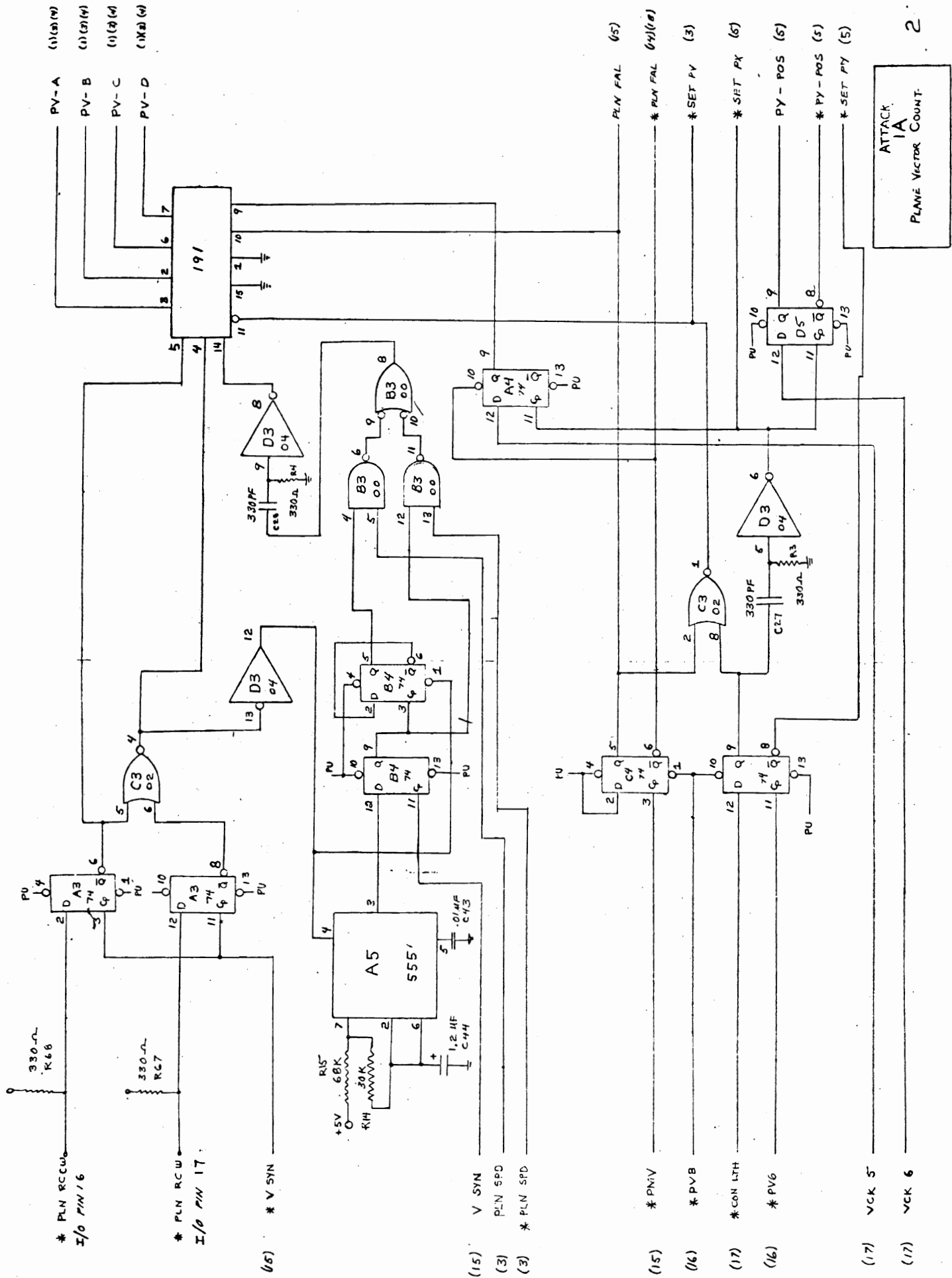
(12) SLC

(5) PY COM

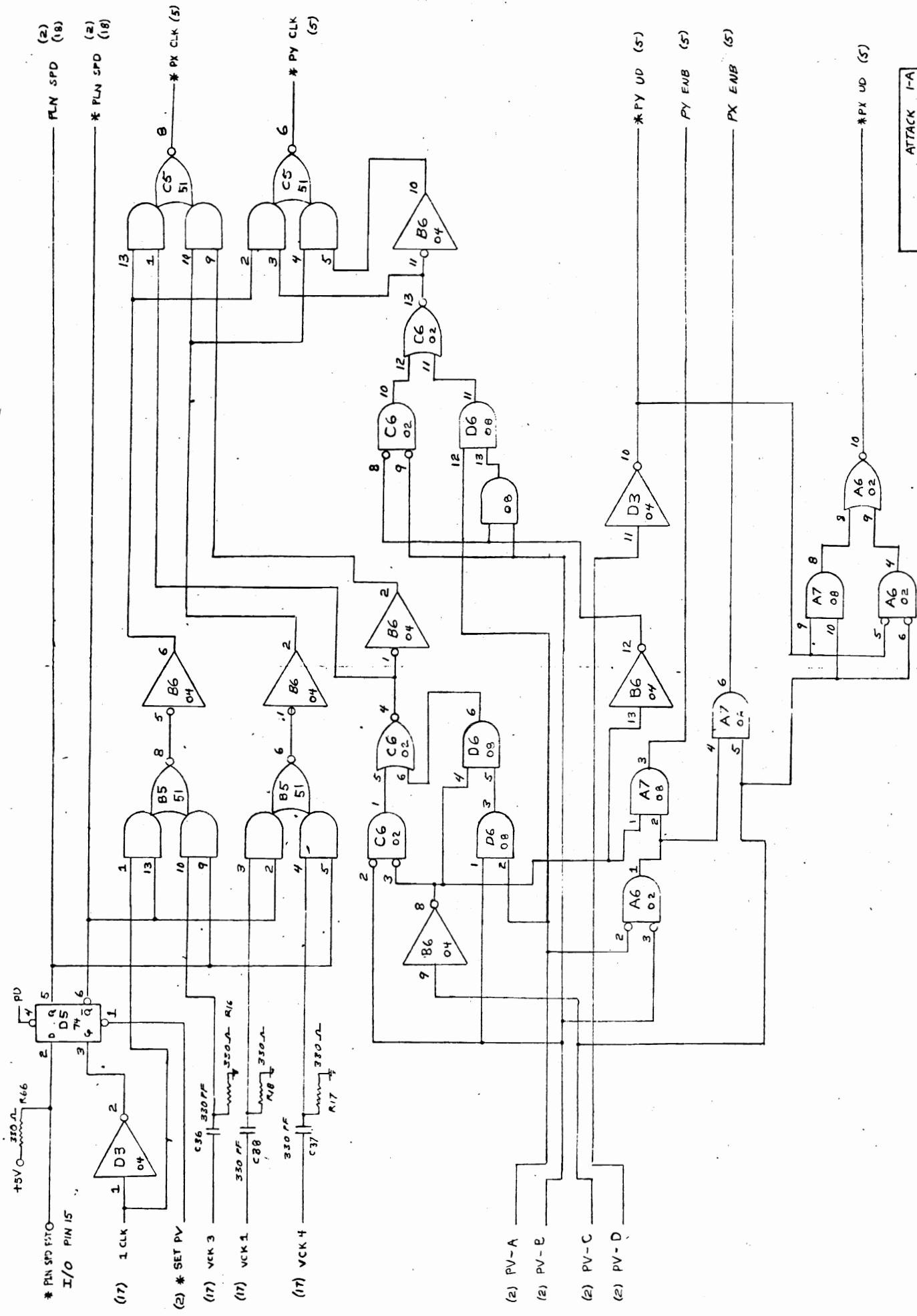
(12) * BIT CLK

(5) PX COM

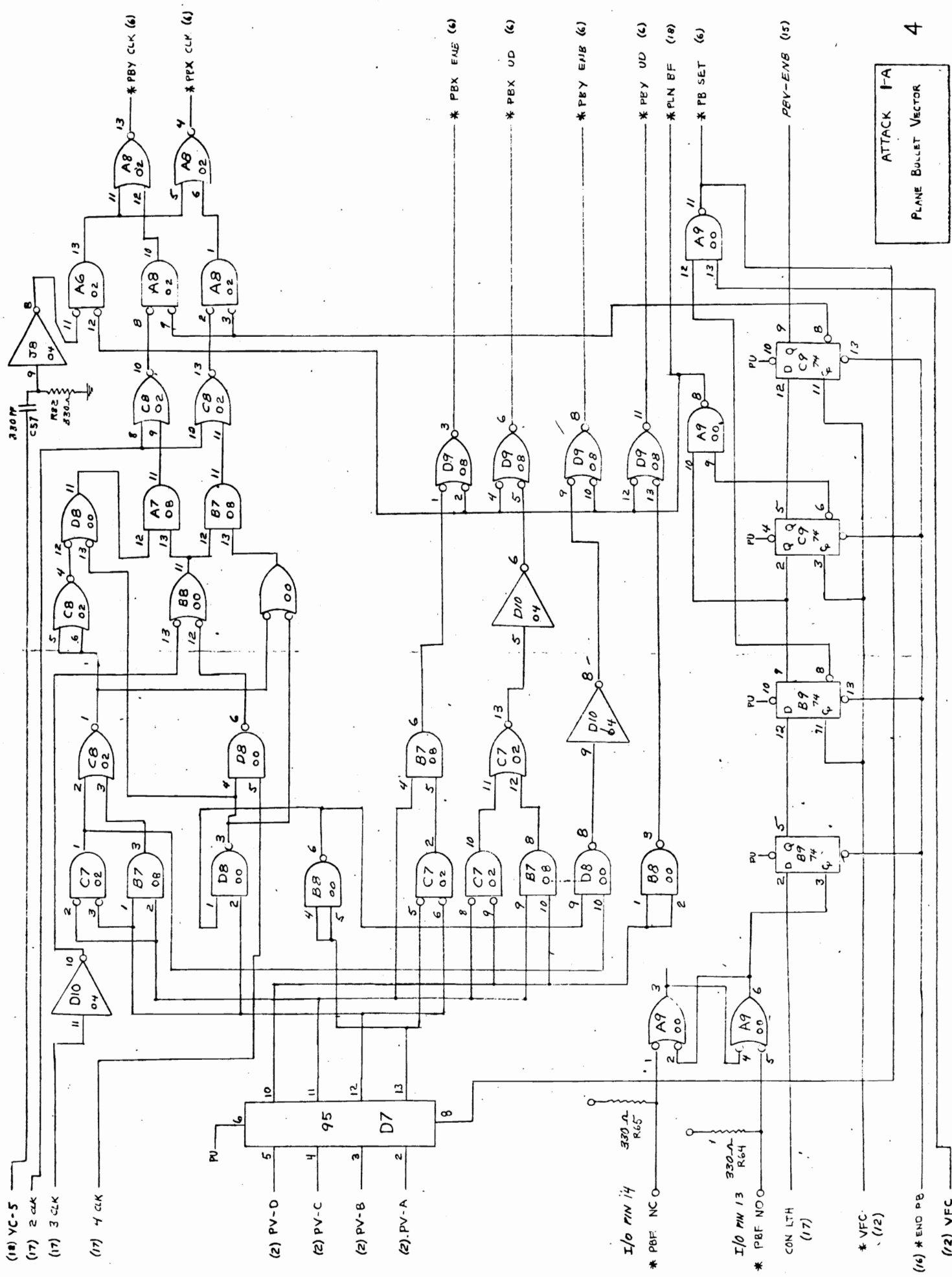
ATTACK
PLANE DISPLAY
1-A



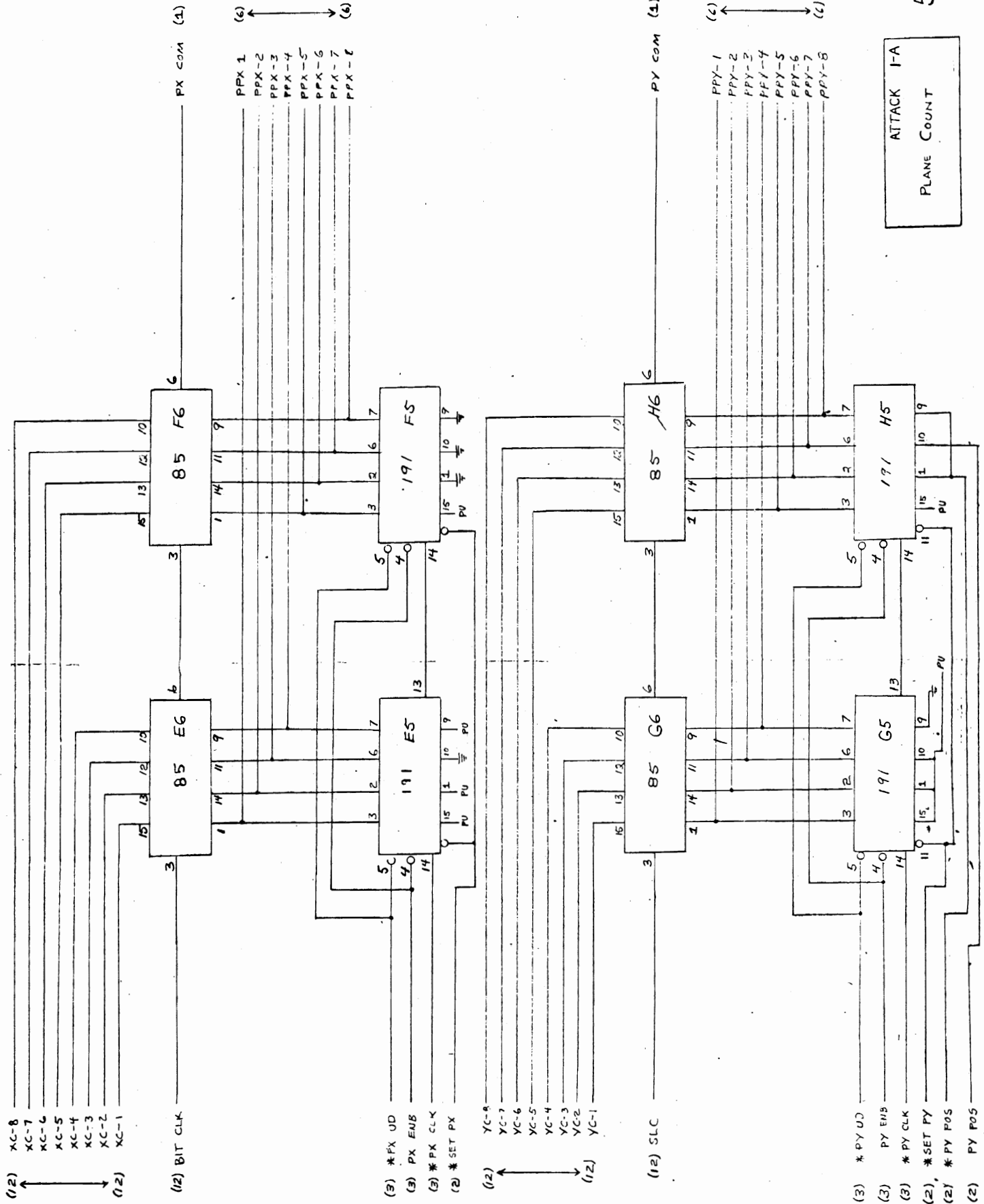
ATTACK
IA
PLANE VECTOR COUNT

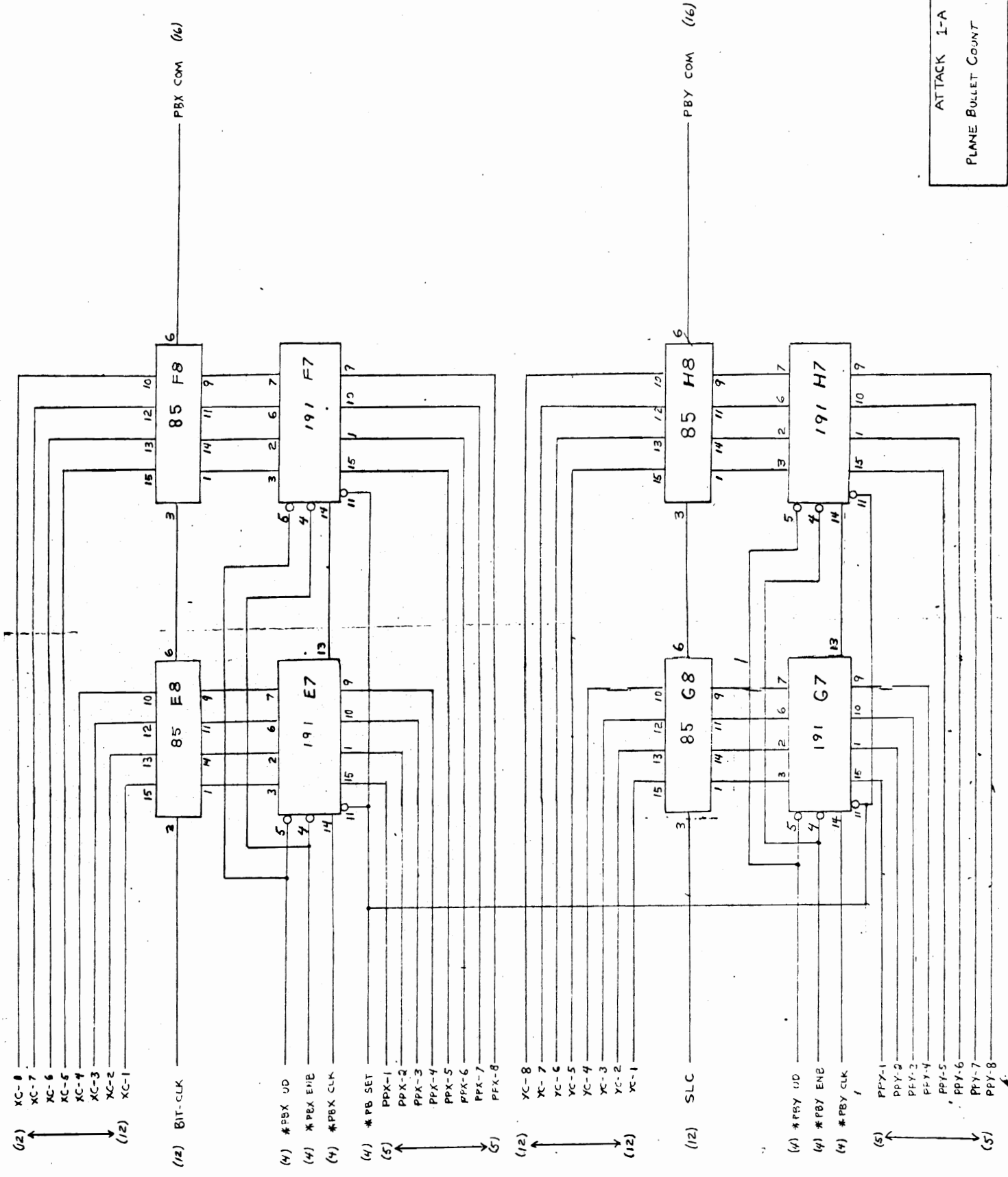


ATTACK 1-A
PLANE VECTOR CONTROL

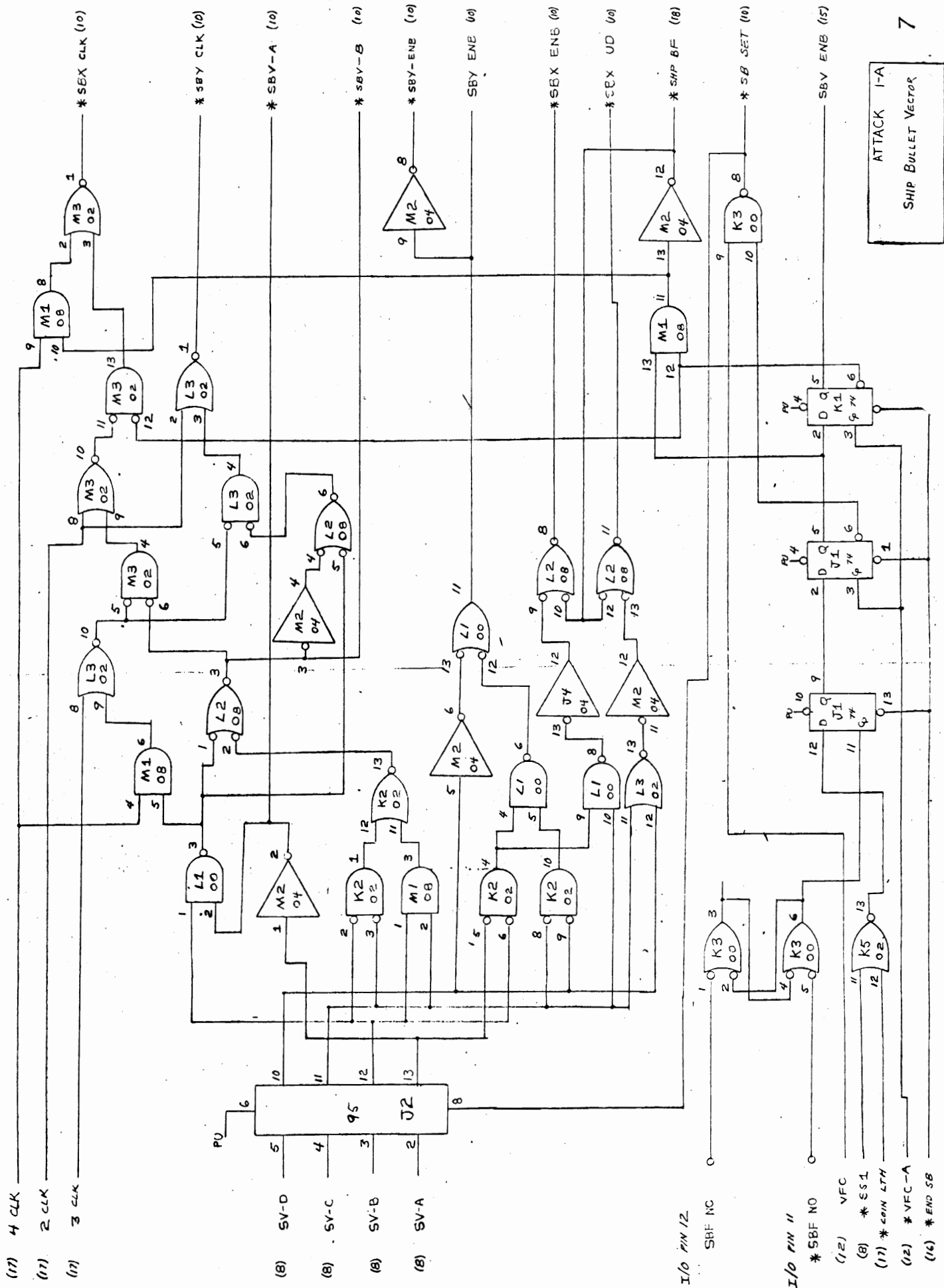


ATTACK I-A
PLANE BULLET VECTOR





ATTACK 1-A
PLANE BULLET COUNT



(17) 4 CLK

(17) 2 CLK

(17) 3 CLK

(8) SV-D

(8) SV-C

(8) SV-B

(8) SV-A

I/O PIN 12

I/O PIN 11

* SBF NO

(12) VFC

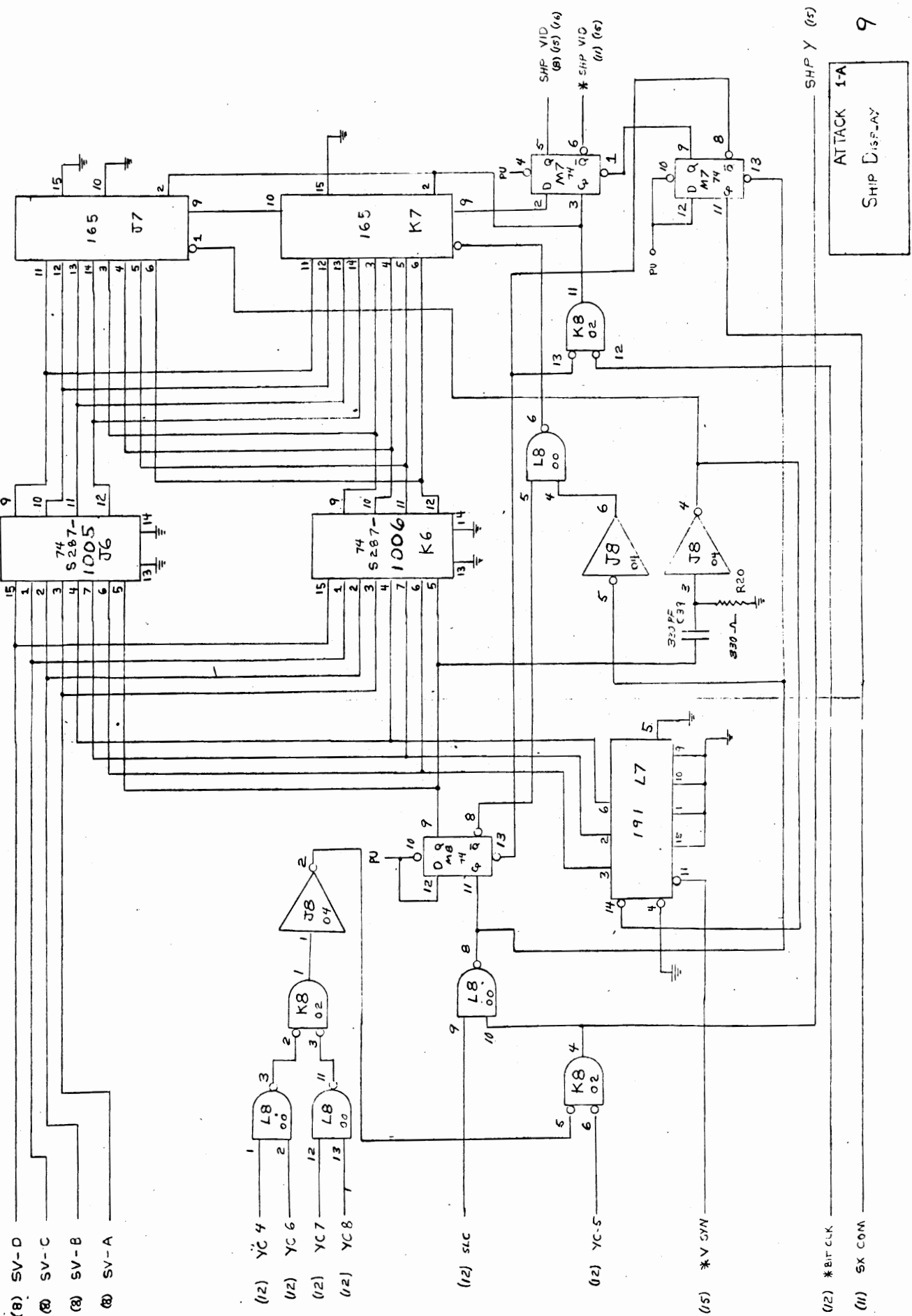
(8) * SS L

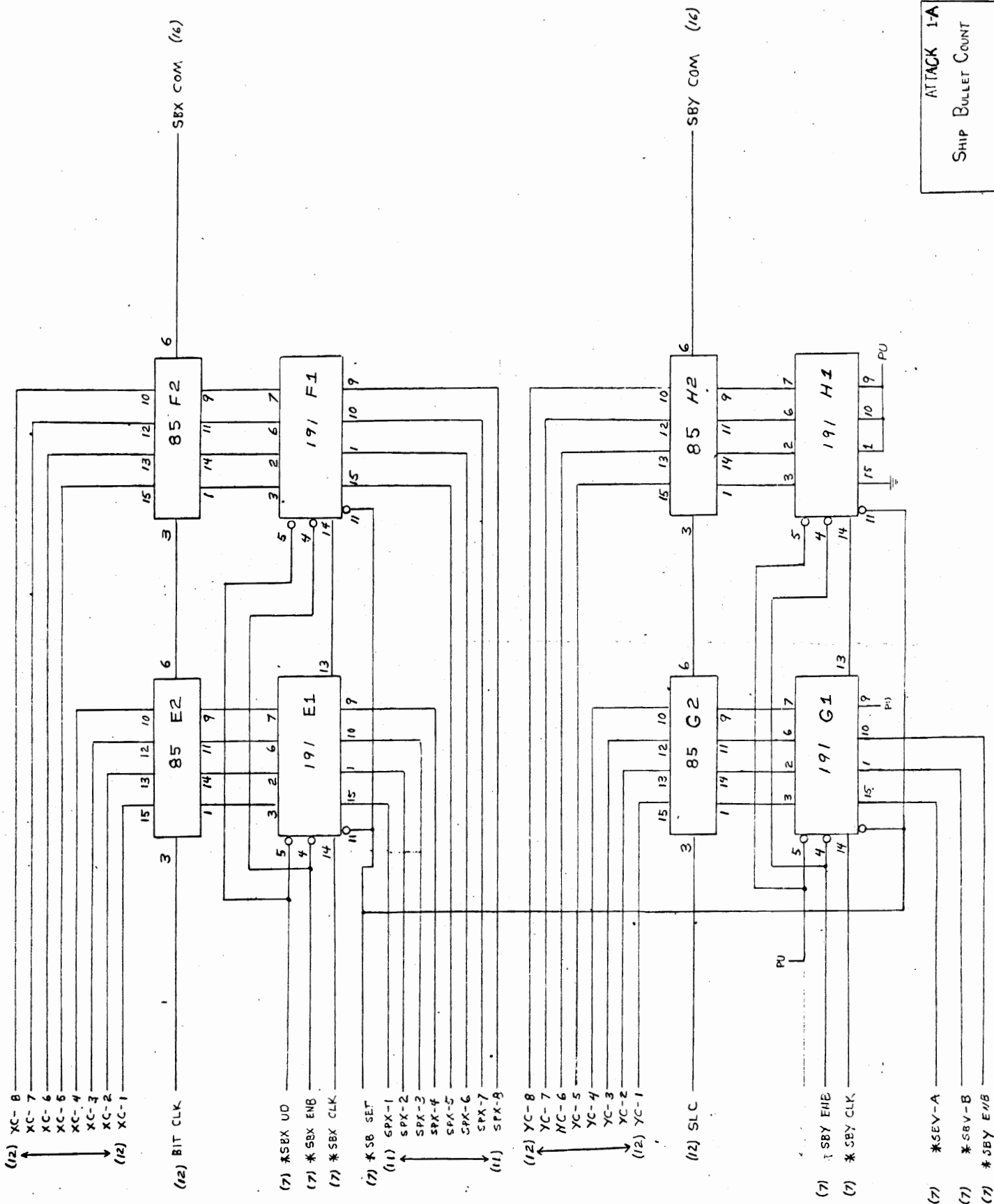
(17) * coin LTH

(12) * VFC-A

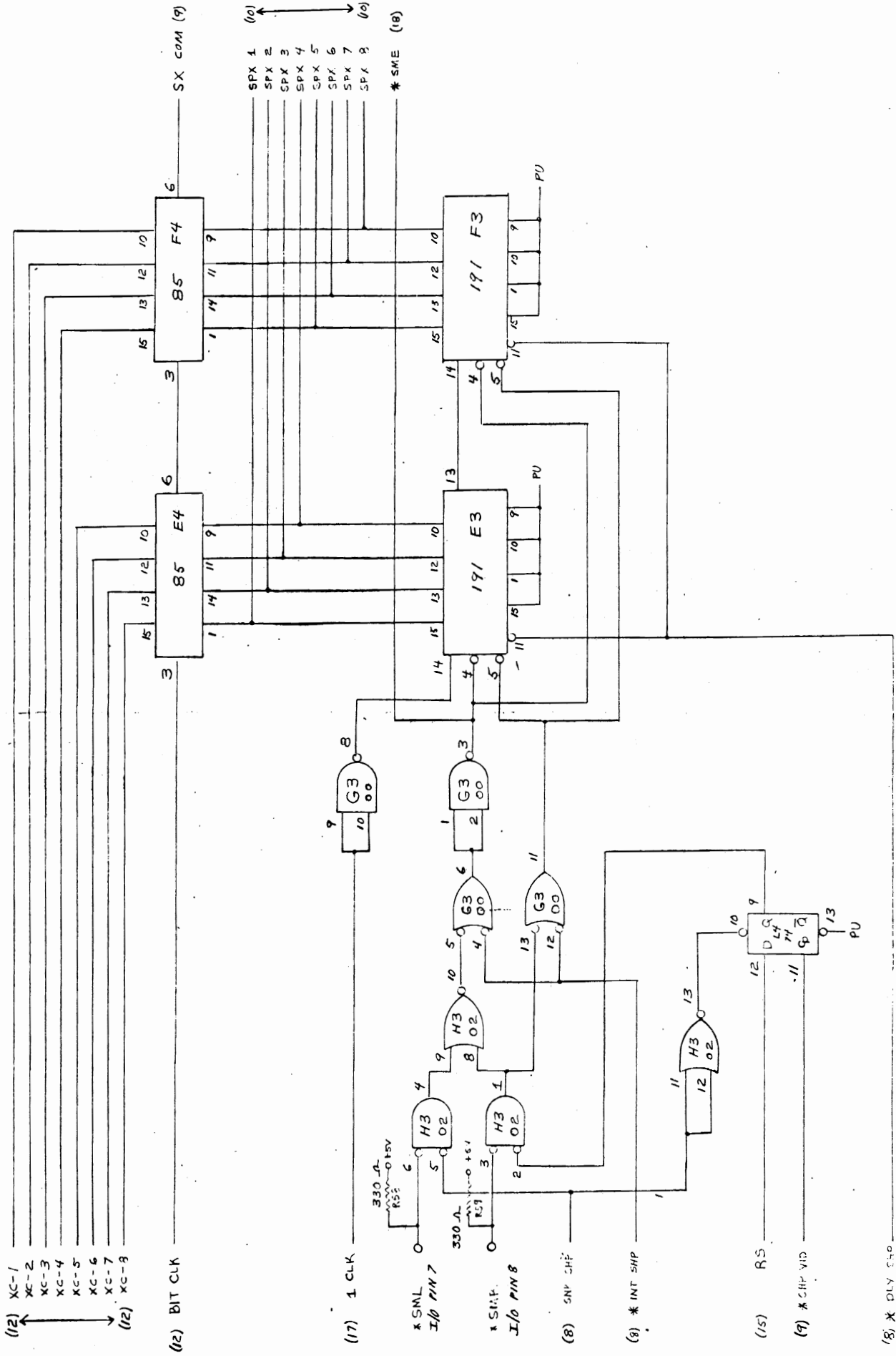
(16) * END SB

ATTACK I-A
SHIP BULLET VECTOR

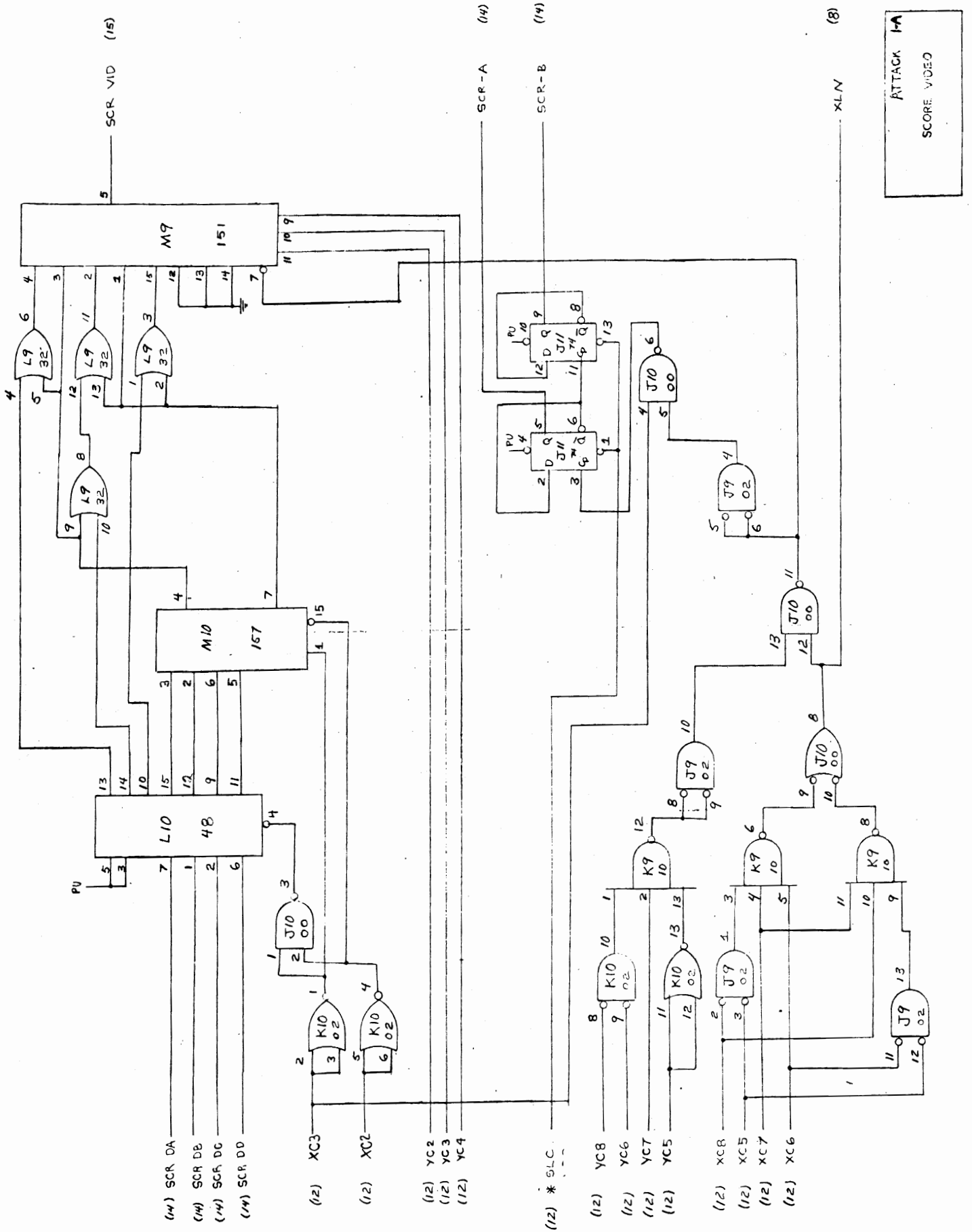


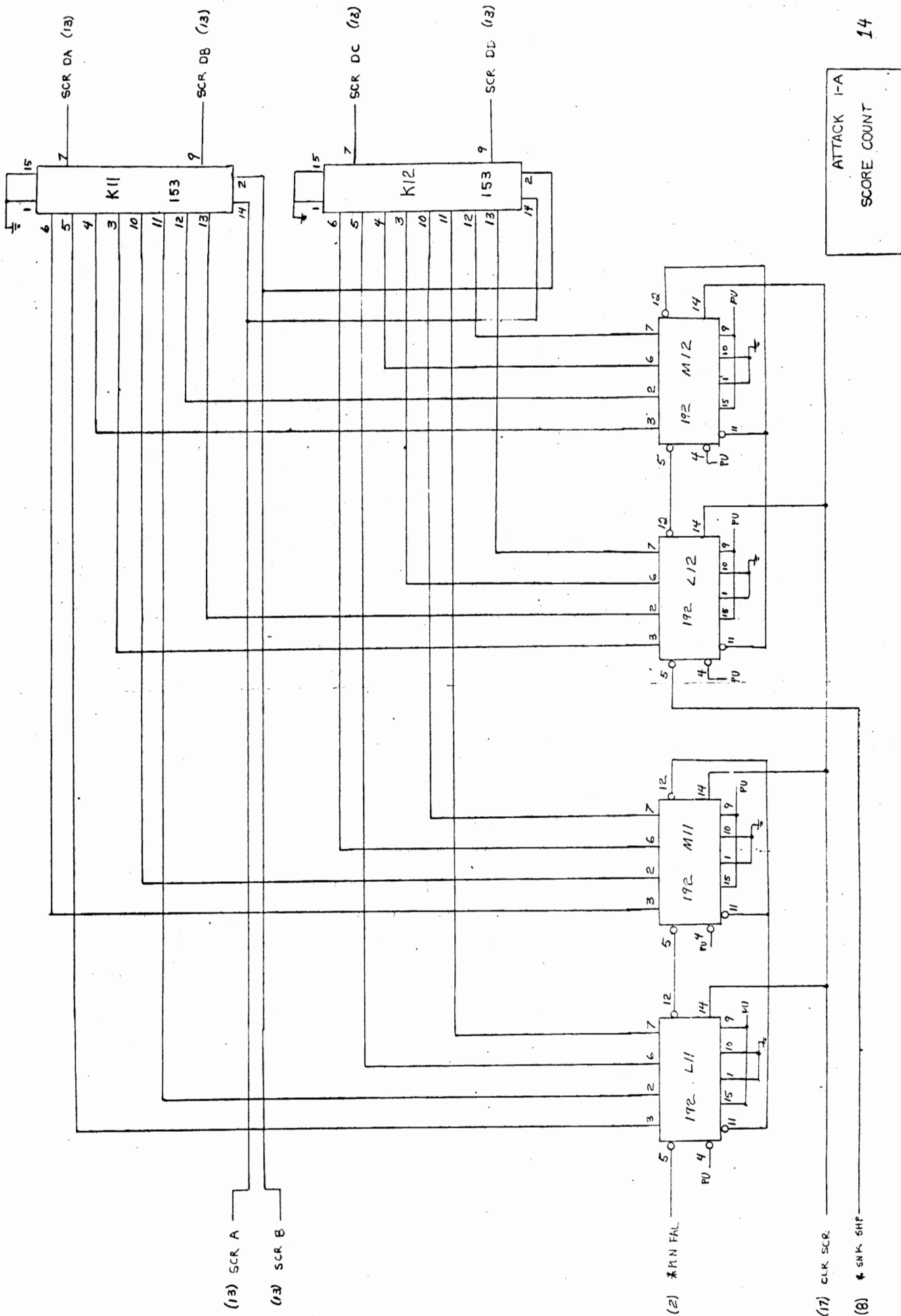


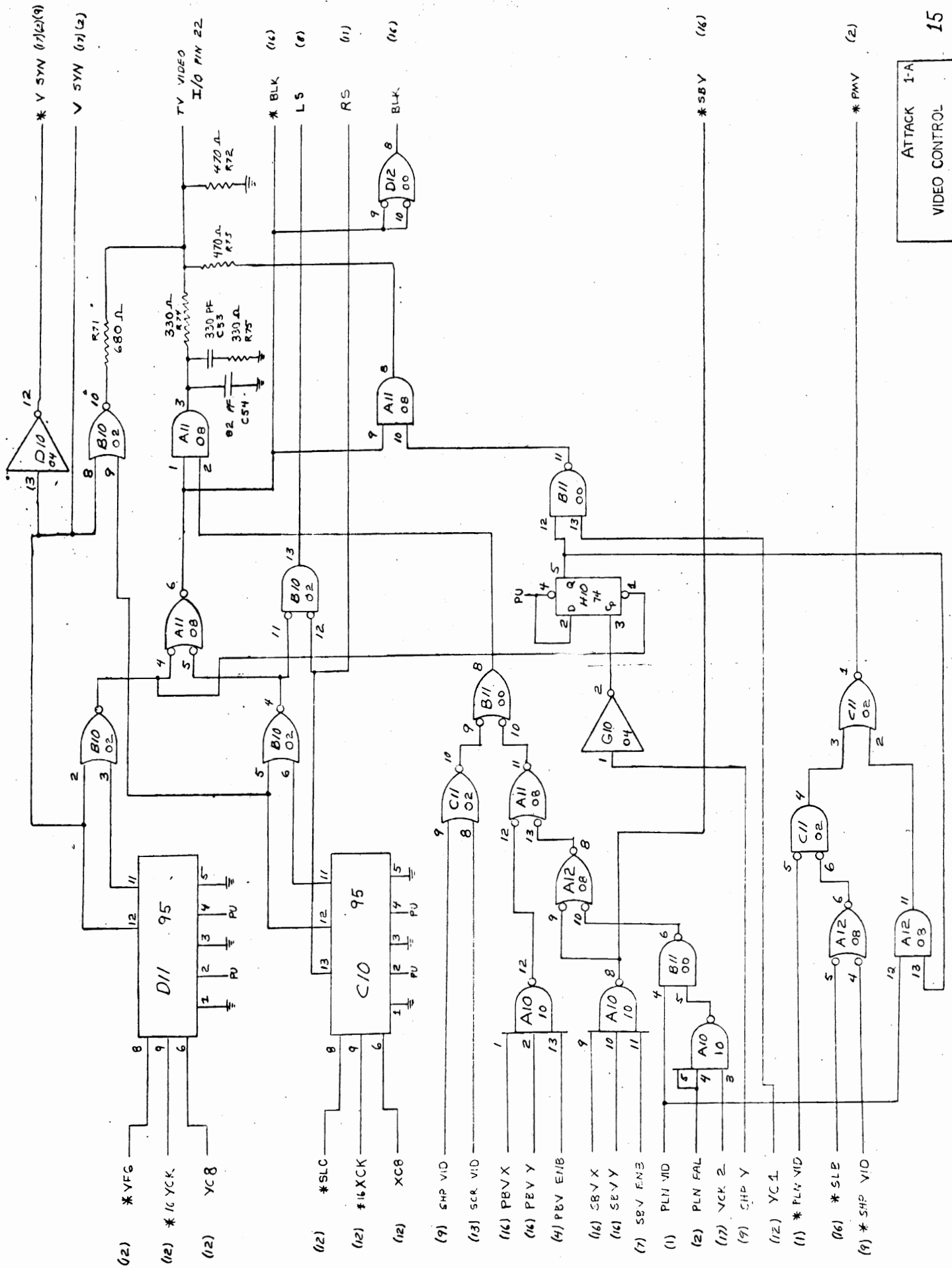
ATTACK 1-A
SHIP BULLET COUNT



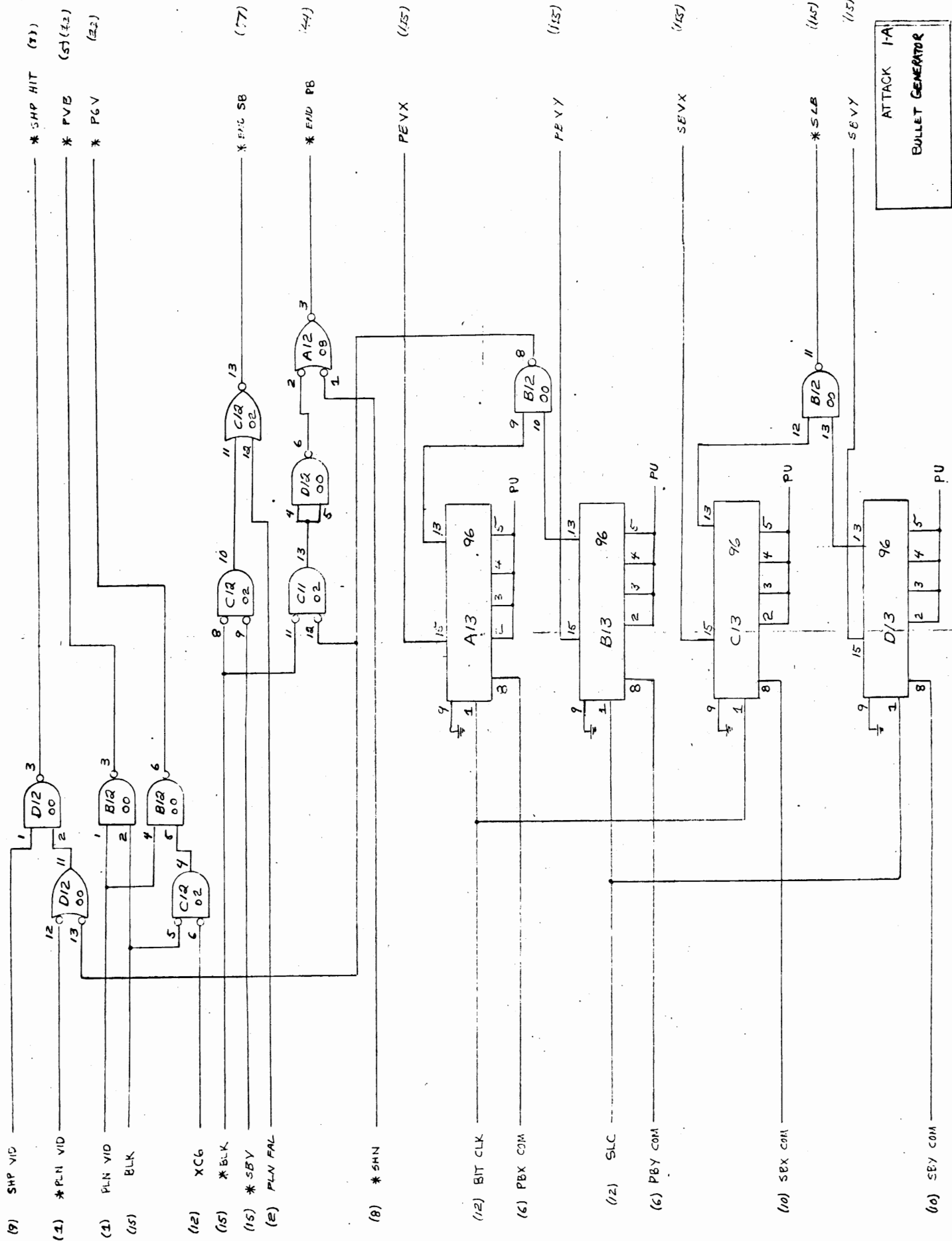
ATTACK 1-A
SHIP X COUNT



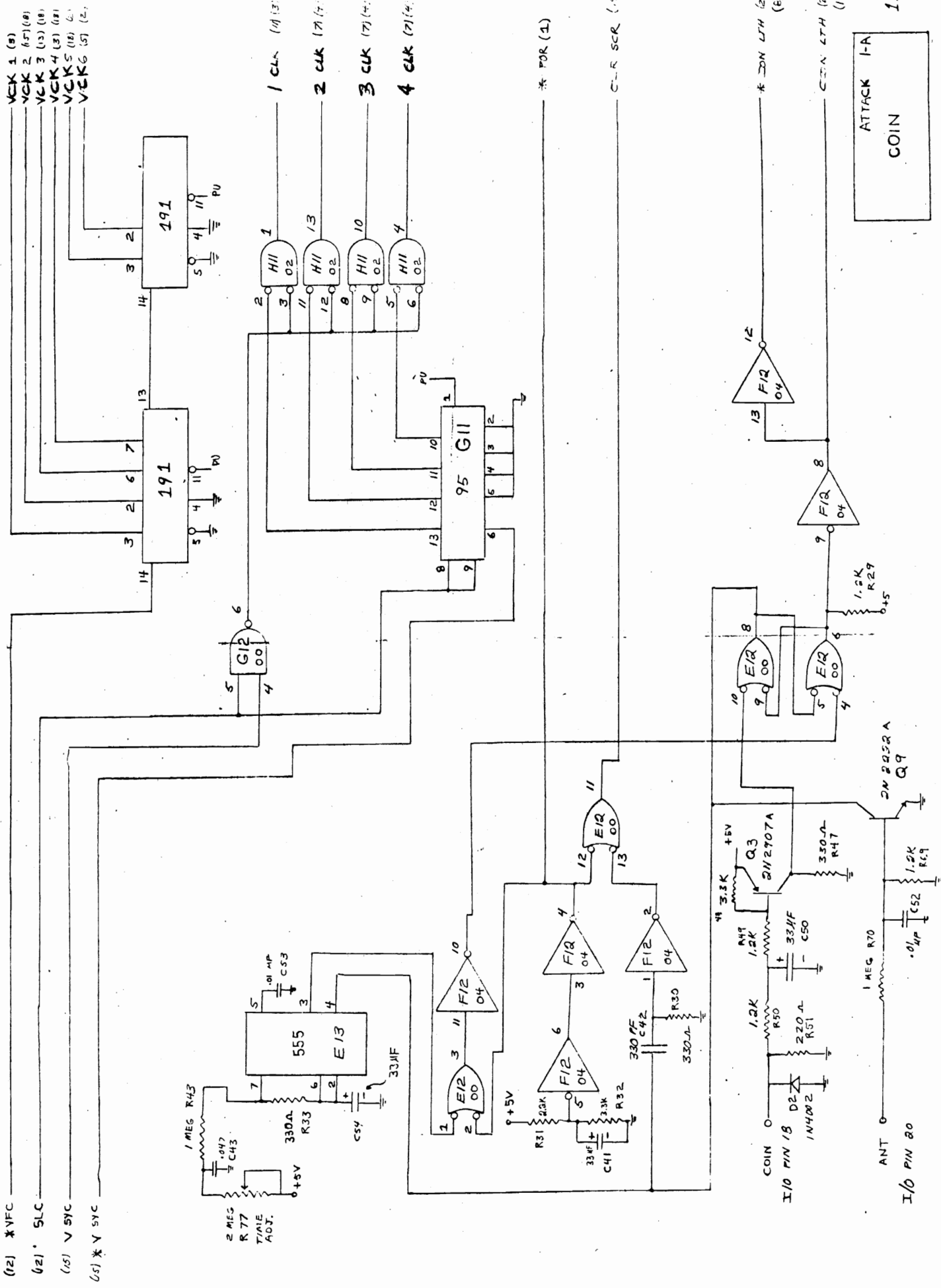


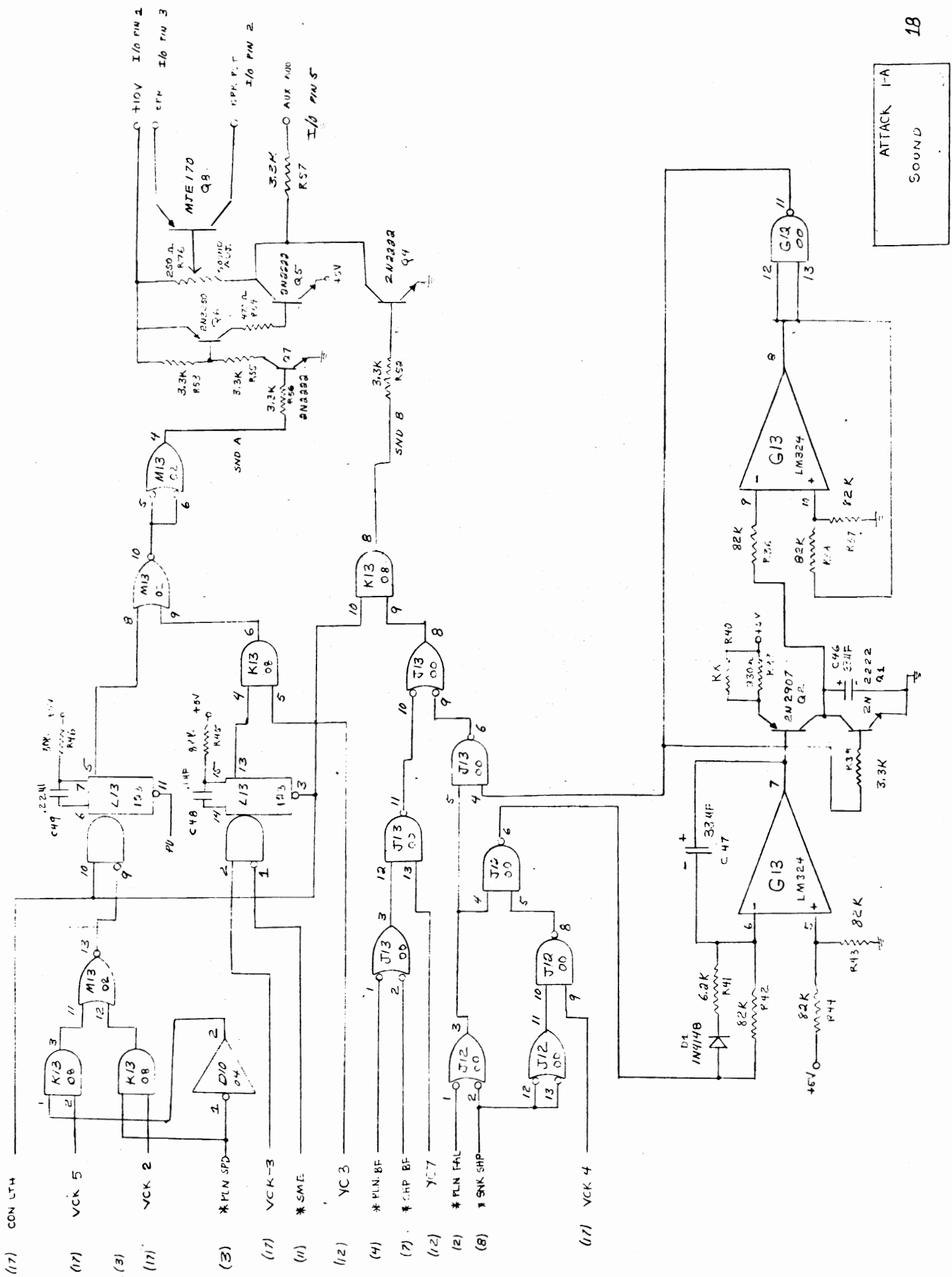


ATTACK I-A
VIDEO CONTROL



ATTACK 1-A
 BULLET GENERATOR





ATTACK 1-A
SOUND