

SEGA®

CHOPLIFTER

INSTRUCTION MANUAL

FOR HORIZONTALLY
MOUNTED MONITOR

SEGA ENTERPRISES, INC.

2149 PARAGON DR. SAN JOSE, CA 95131

(408) 435-0201

CONTENTS

- RECOMMENDED WIRING DIAGRAM
- WIRING ROUTING (MAIN HARNESS)
- WIRING ROUTING (CONTROL PANEL HARNESS)
- OPTION SWITCHES / DC POWER REQUIREMENTS
- KIT CONTENTS

CONVERSION KIT CONTENTS

- PC Board
- Generic Main Wiring Harness
- Control Panel Wiring Harness
- 8 Way Joystick Assembly
- Screws and Nuts for Joystick (4)
- Push Button Assemblies (6)
- Control Panel Overlay
- Monitor Card
- Side Decals (2)
- Plastic Marquee
- Instruction Manual
- License Seal

PREVENTION OF COUNTERFEITING AND CONVERSION

LABELING

To prevent counterfeits and conversions, the following labels are put on all the SEGA products. When handling such goods, be sure to confirm the labels. They are used to prevent illegal acts such as the unauthorized copying of the products and the printed circuit boards thereof or carrying on business by manufacturing similar merchandise or by converting, selling or using such products or printed circuit boards.

ORIGINAL SEAL

The following seal is put on the machines manufactured by SEGA.



LICENSE SEAL

The following seal is put on the kits, such as the printed circuit boards, of SEGA products.



COPYRIGHT NOTICE

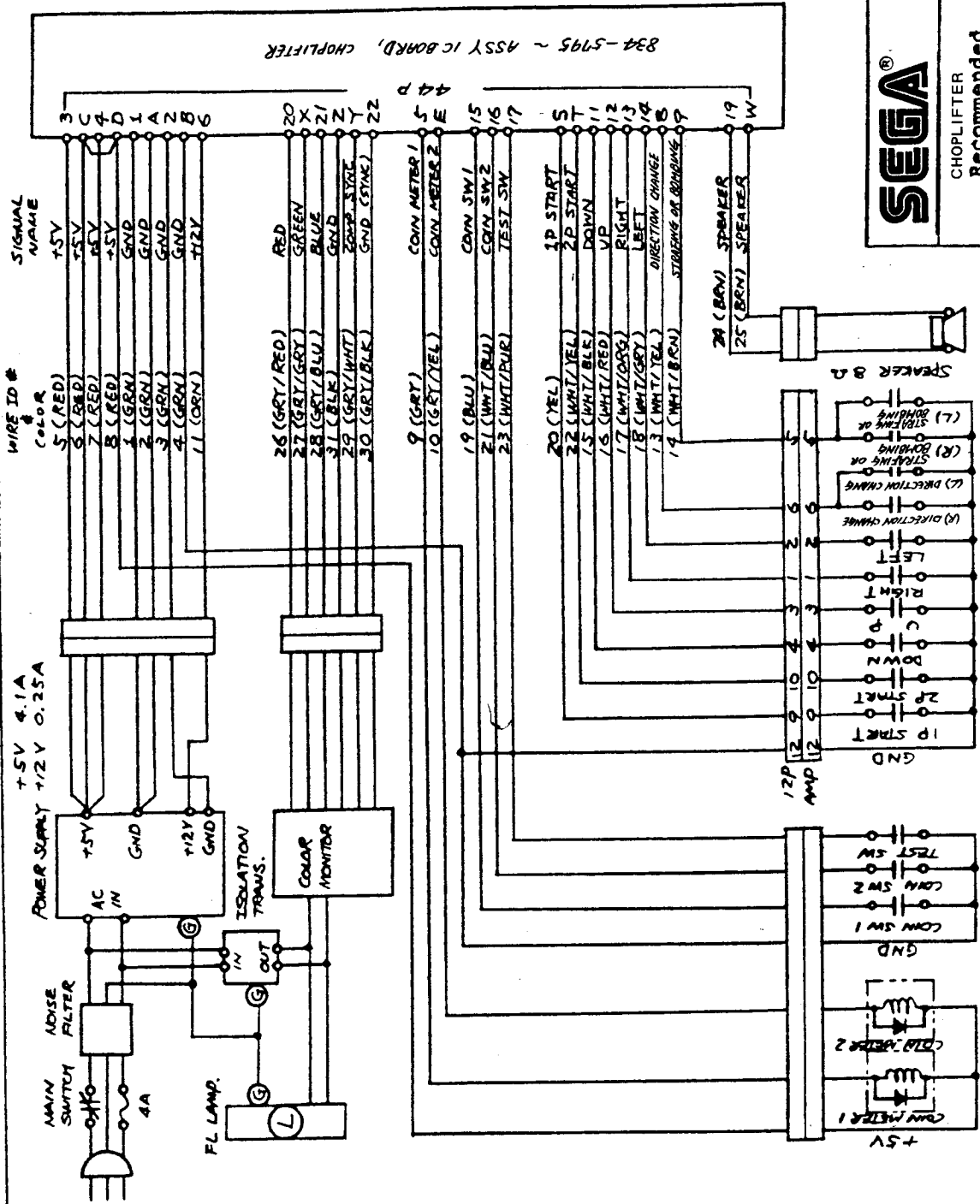
This SEGA product has the copyright notice as follows:

© SEGA 1985

This signifies that this work was disclosed in 1985 and is the property of SEGA ENTERPRISES, LTD.

NOTICE WARNING

After installation of this kit , the 5 volt power supply must be checked and adjusted to make certain exactly 5 volts are present at pins 1 & 3 (1 is negative and 3 is positive) of the 44 pin edge connector. The voltage check and adjustment must be done while the PCB is plugged in to the 44 pin connector to supply the proper load. This PCB will not operate properly on voltages below 5 volts as measured at the board.



SEGA[®]
 CHOPFLIFTER
 Recommended
 Wiring Diagram

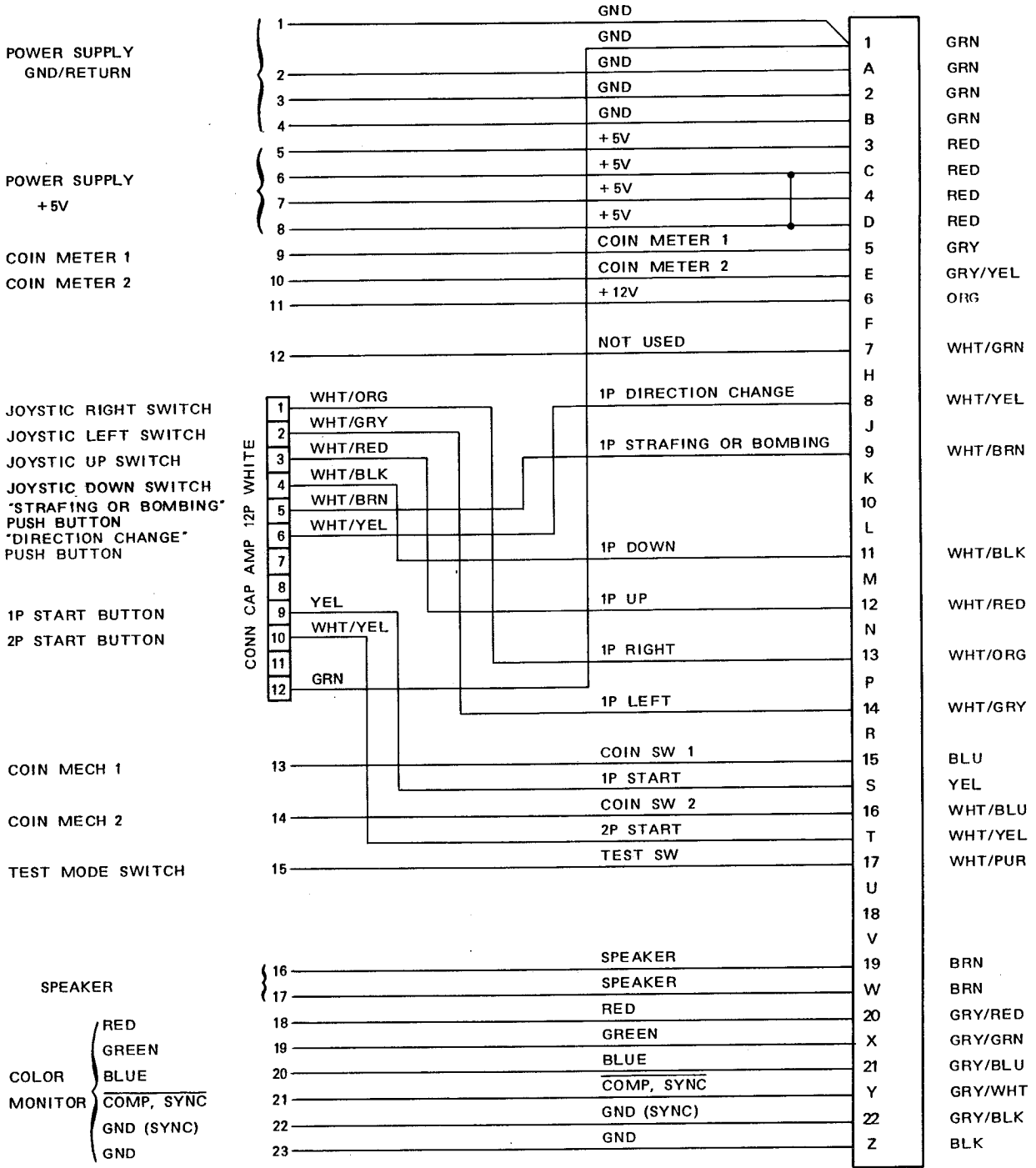
SEA 12 85

DISTINATION

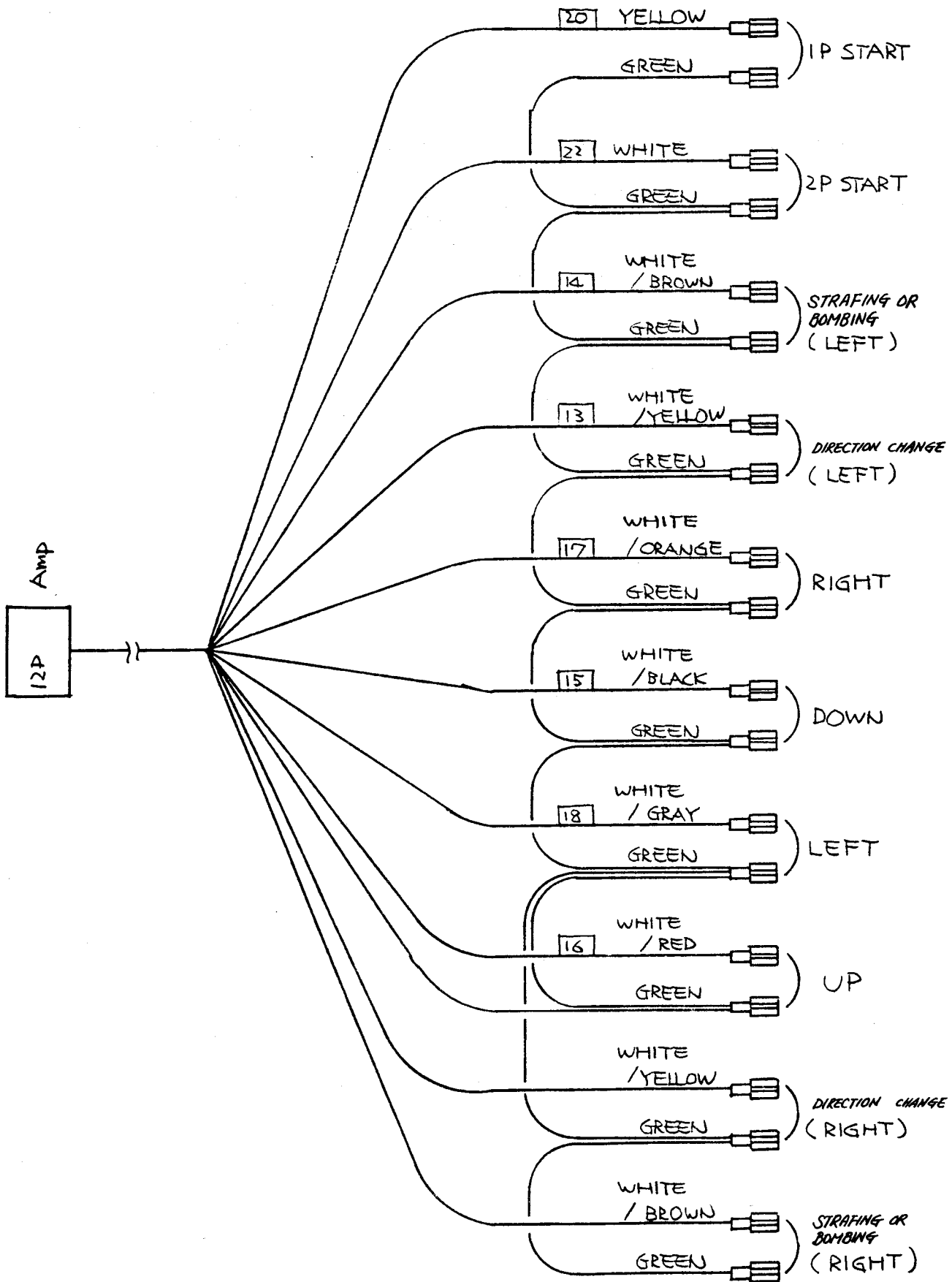
WIRE ID # SIGNAL NAME

44 PIN
EDGE CONNECTOR

WIRE COLOR

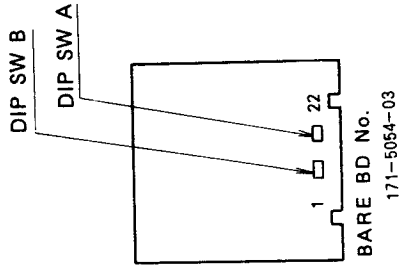
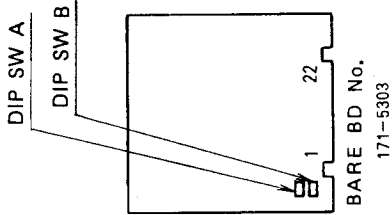
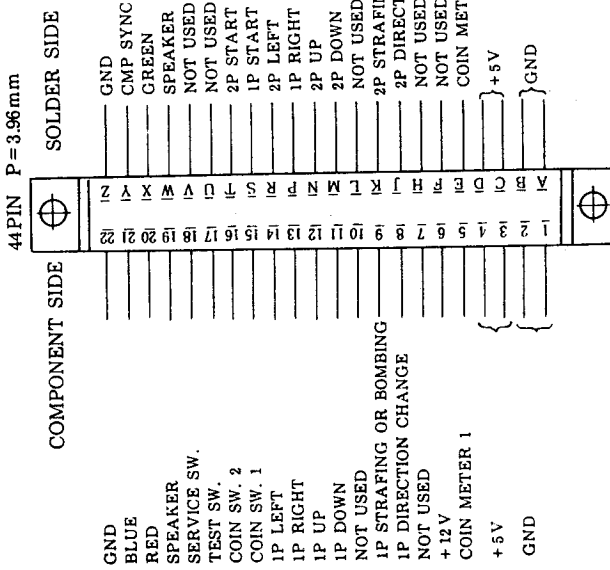


CHOPLIFTER WIRE ROUTING



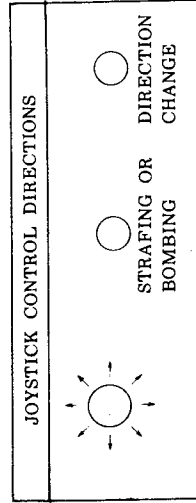
CONTROL PANEL HARNESS

CHOPLIFTER (834 - 5795)



COIN / CREDIT OPTION SWITCH SETTING	DIP SWITCH #A							
	1	2	3	4	5	6	7	8
1 COIN 1 CREDIT	OFF	OFF	OFF	OFF	OFF	OFF	OFF	OFF
1 COIN 2 CREDITS	ON	OFF	OFF	OFF	OFF	OFF	OFF	OFF
1 COIN 3 CREDITS	ON	ON	OFF	OFF	OFF	OFF	OFF	OFF
1 COIN 4 CREDITS	ON	ON	OFF	OFF	OFF	OFF	OFF	OFF
1 COIN 5 CREDITS	ON	OFF	ON	OFF	OFF	OFF	OFF	OFF
2 COINS 1 CREDIT	ON	ON	ON	OFF	OFF	OFF	OFF	OFF
2 COINS 1 CREDIT	ON	OFF	OFF	ON	OFF	OFF	OFF	OFF
2 COINS 2 CREDITS	OFF	ON	OFF	ON	OFF	ON	OFF	ON
3 COINS 3 CREDITS	ON	ON	ON	ON	ON	ON	ON	ON
1 COIN 1 CREDIT	OFF	OFF	ON	ON	OFF	OFF	ON	ON
2 COINS 2 CREDITS	ON	OFF	ON	ON	ON	OFF	ON	ON
3 COINS 3 CREDITS	ON	ON	ON	ON	ON	ON	ON	ON
4 COINS 4 CREDITS	ON	ON	ON	ON	ON	ON	ON	ON
5 COINS 6 CREDITS	ON	ON	ON	ON	ON	ON	ON	ON
1 COIN 1 CREDIT	ON	OFF	ON	ON	ON	OFF	ON	ON
2 COINS 2 CREDITS	ON	ON	ON	ON	ON	ON	ON	ON
3 COINS 3 CREDITS	ON	ON	ON	ON	ON	ON	ON	ON
4 COINS 5 CREDITS	ON	ON	ON	ON	ON	ON	ON	ON
1 COIN 1 CREDIT	ON	ON	ON	ON	ON	ON	ON	ON
2 COINS 3 CREDITS	ON	ON	ON	ON	ON	ON	ON	ON
1 COIN 1 CREDIT	ON	ON	ON	ON	ON	ON	ON	ON

OPTION SWITCH SETTING	DIP SWITCH #B							
	1	2	3	4	5	6	7	8
TABLE UPRIGHT	OFF	ON						
ADVERT TISE	OFF	ON						
SOUND								
PLAYER 3			OFF					
HELICOPTER 2			ON					
FREE 4			OFF					
SCORE OF 20000, 70000			ON					
ADDITIONAL 50000, 100000			ON					
PLAYER 150000, 200000			ON					
GAME DIFFICULTY								
EASY							OFF	
HARD							ON	



SUPPLY VOLTAGES & CURRENT	
VOLTAGE	CURRENT
DC5V	4.5 A
DC12V	0.25 A

