

1ST PRINTING-FEB

SEGA™



**OWNER'S MANUAL
ADDENDUM U/R**

SEGA ENTERPRISES, USA

MANUAL NO. 4201-6325-01



Warranty

Your new SEGA product is covered for a period of 90 Days from the date of shipment. This certifies that the Printed Circuit Boards, Power Supplies and Monitor are to be free of defects in workmanship or materials under normal operating conditions. This also certifies that all Interactive Control Assemblies are to be free from defects in workmanship and materials under normal operating conditions. No other product in this machine is hereby covered.

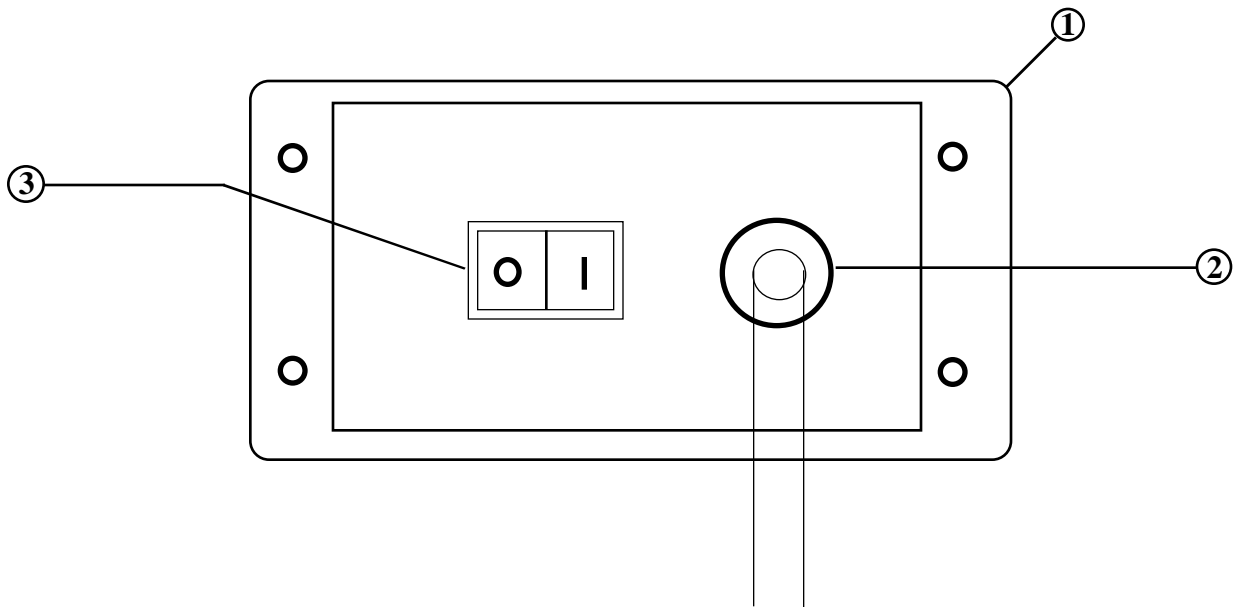
Sellers sole liability in the event a warranted part described above fails shall be, at its option, to replace or repair the defective part during the warranty period. For Warranty claims, contact your SEGA distributor.

Should the Seller determine, by inspection that the product was caused by Accident, Misuse, Neglect, Alteration, Improper Repair, Installation or Testing, the warranty offered will be null and void.

Under no circumstances is the Seller responsible for any loss of profits, loss of use, or other damages.

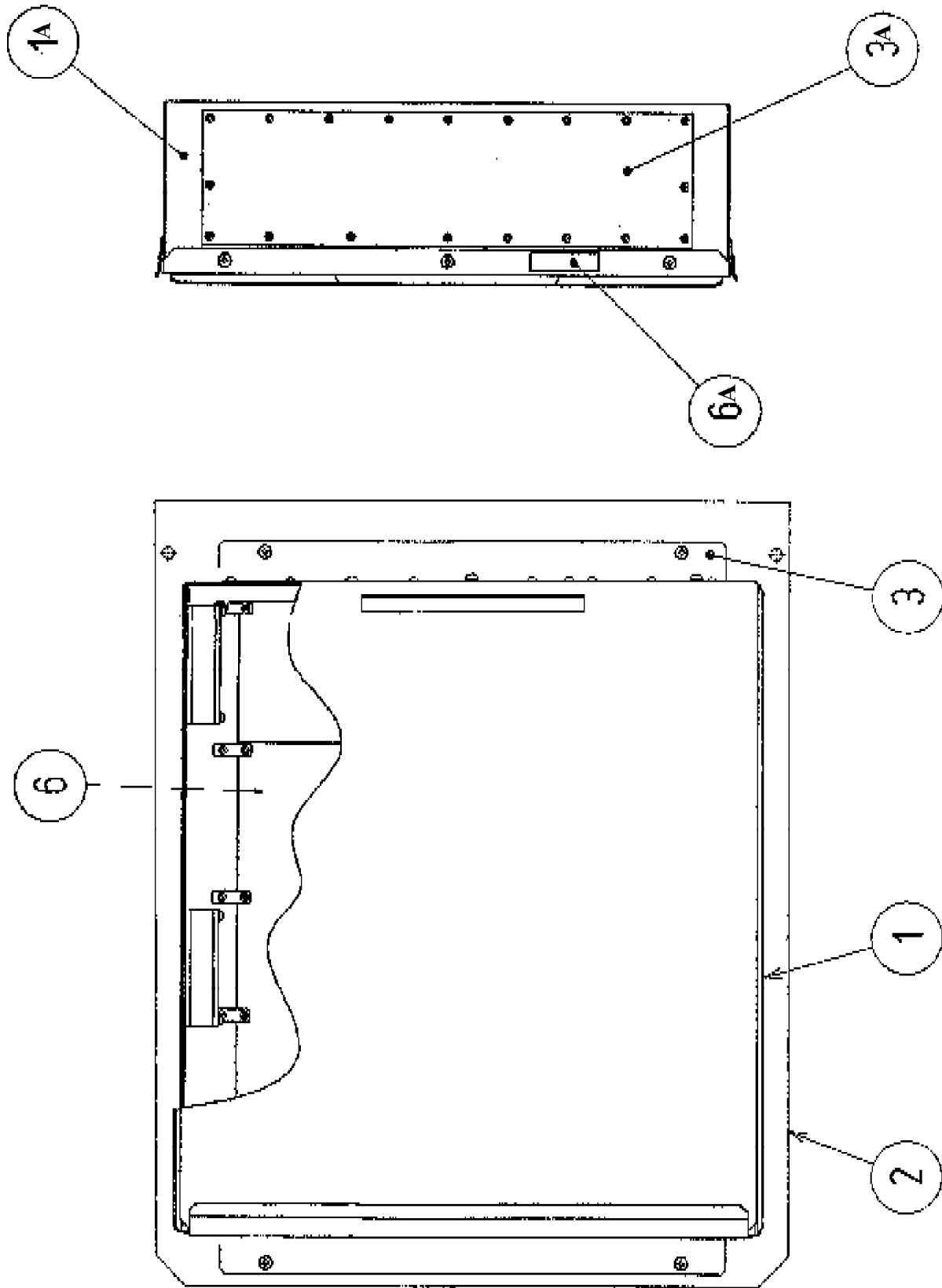
This shall be the exclusive written Warranty of the original purchaser expressed in lieu of all other warranties expressed or implied. Under no circumstance shall it extend beyond the period of time listed above.

④ AC UNIT (JPT1-1020)



ITEM NO.	PART NO.	DESCRIPTION
1	N/A	AC BRKT
2	N/A	LINE STRAIN RELIEF
3	5091-5234	MAIN ROCKER SW 25A

⑭ ASSY MAIN BD (JPT-4000)
ASSY SHIELD CASE (JPT-0100)



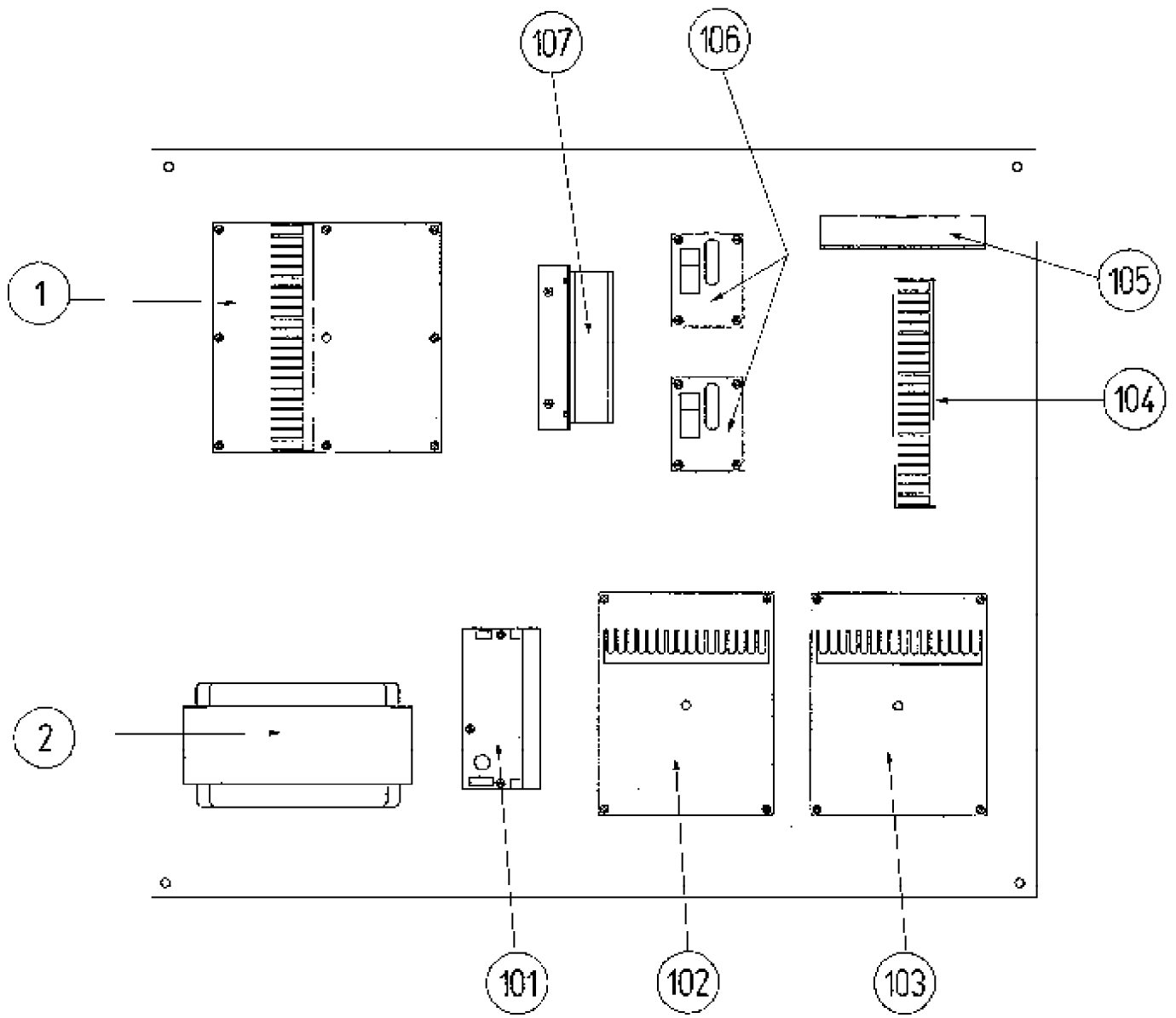
⑭ ASSY MAIN BD (JPT-4000)
ASSY SHIELD CASE (JPT-0100)

ITEM NO.	PART NO.	DESCRIPTION
1a	N/A	SHIELD CASE MODEL 3
3a	N/A	FILTER BD MODEL 3 JPT
6a	N/A	STICKER 833-13171
1	N/A	ASSY SHIELD CASE
2	N/A	MAIN BD BASE
3	N/A	SHIELD CASE BRKT
6	N/A	GAME BD JPT

THESE PARTS ARE NOT AVAILABLE SEPERATELY
INSTEAD THEY ARE SOLD AS A COMPLETE UNIT.

ALL	JPT-4000	ASSY MAIN BD
-----	----------	--------------

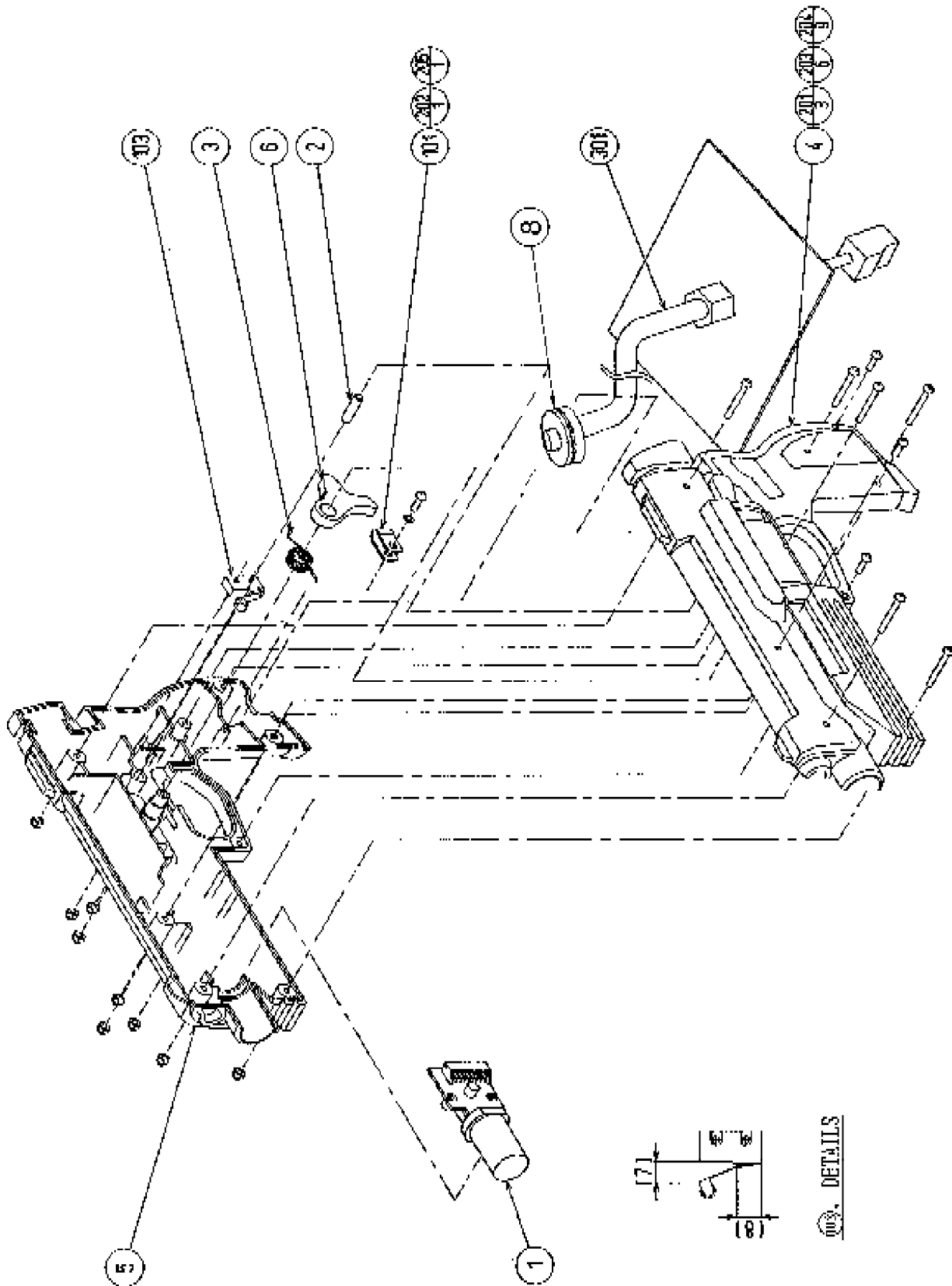
⑩ ASSY PWR SPLY (JPT1-4100)



① ASSY PWR SPLY (JPT-4100)

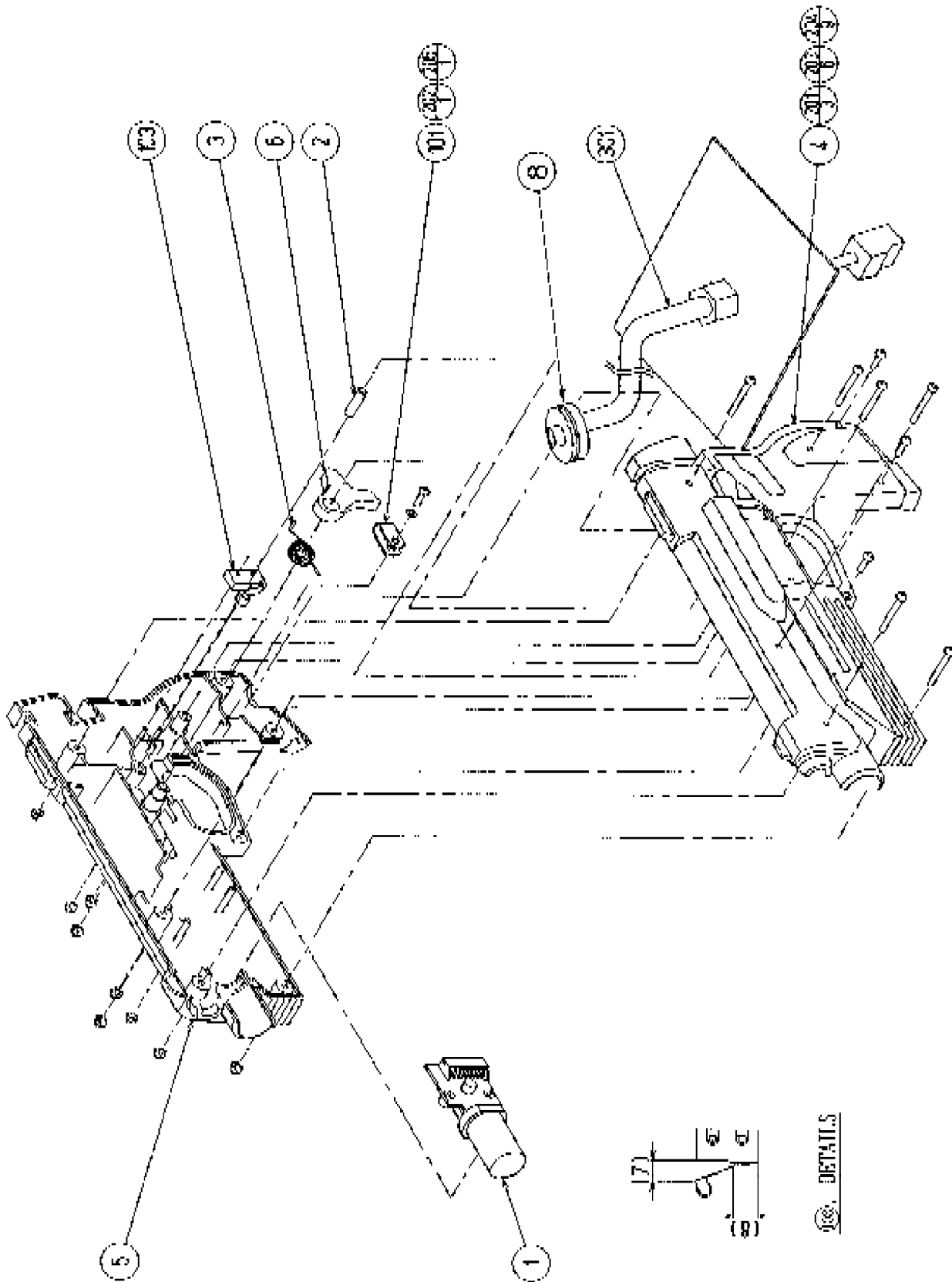
(D-2/2)

ITEM NO.	PART NO.	DESCRIPTION
1	838-13142	BASS AMP 50Wx2
2	999-0677	AUDIO XFMR 12.8V 6Ax2 23V 9.6Ax2
101	838-11651-91	LOWPASS AMP
102	838-11650-01	EQ.PWR AMP JPT A
103	838-11650-28	EQ. PWR AMP JPT B
104	LOCAL PURCHASE	FUSES; EQ AMP FUSES, PTV FUSE, MAIN FUSE 4A slo, 5A slox2, 8A slo
105	N/A	GND BRCKT
106	838-11855	SSR CONN BD
107	260-0011-02	AXIAL FLOW FAN AC 120V 50-60HZ



NOTE: When assembling (1), bend the actuator as shown in the Detail FIG. and adjust the actuator so as to allow the trigger of (6) to turn the Microswitch ON-OFF correctly.

ITEM NO.	PART NO.	DESCRIPTION
1	JPT-2030	SENSOR UNIT
2	COP-2005	STOPPER PIN
3	125-5124	TORSION SPRING
4	253-5404-02	COVER LEFT RED
5	253-5405-02	COVER RIGHT RED
6	253-5406-02	TRIGGER RED
7	999-0675	PROTECT TUBE W/WIRE; COUPLING; WASHER
101	280-5124-03	NYLON CLAMP NK03
102	509-5080	SW MICRO TYPE
201	000-P00308-0B	M SCR PH BLK M3 X8
202	012-P00308	TAP SCR#2 PH 3 X8
203	FAS-000015	M SCR PH BLK M3X8
204	FAS-500006	CAP NUT TYPE 3 BLK M3
205	060-F00300	FLT WSHR M3



23. DETAILS

NOTE: When assembling (23), bend the actuator as shown in the Detail F15, and adjust the actuator so as to allow the trigger of (3) to turn the Microswitch ON-OFF correctly.

ITEM NO.	PART NO.	DESCRIPTION
1	JPT-2030	SENSOR UNIT
2	COP-2005	STOPPER PIN
3	125-5124	TORSION SPRING
4	253-5404-01	COVER LEFT BLUE
5	253-5405-01	COVER RIGHT BLUE
6	253-5406-01	TRIGGER BLUE
7	999-0675	PROTECT TUBE W/WIRE; COUPLING; WASHER
101	280-5124-03	NYLON CLAMP NK03
102	509-5080	SW MICRO TYPE
201	000-P00308-0B	M SCR PH BLK M3 X8
202	012-P00308	TAP SCR#2 PH 3 X8
203	FAS-000015	M SCR PH BLK M3X8
204	FAS-500006	CAP NUT TYPE 3 BLK M3
205	060-F00300	FLT WSHR M3

OPTIONAL DOLLAR BILL ACCEPTOR

- THE COIN DOOR ASSEMBLY USED ON LOST WORLD U/R COMES EQUIPPED TO ACCEPT A DOLLAR BILL ACCEPTOR. ALL NEEDED WIRING CONNECTIONS ARE CONVENIENTLY LOCATED INSIDE THE GAME FOR THIS APPLICATION.
- THE COIN DOOR CAN ACCCOMMODATE THE FOLLOWING VALIDATORS:

HOLE POSITION#1 (FORWARD-MOST POSITION)	Mars 2000 series
HOLE POSITION#2	Mars 2000 series DBV45 (JCM)
HOLE POSITION #3	CURRENTLY NOT USED
HOLE POSITION #4	DSIO1 *

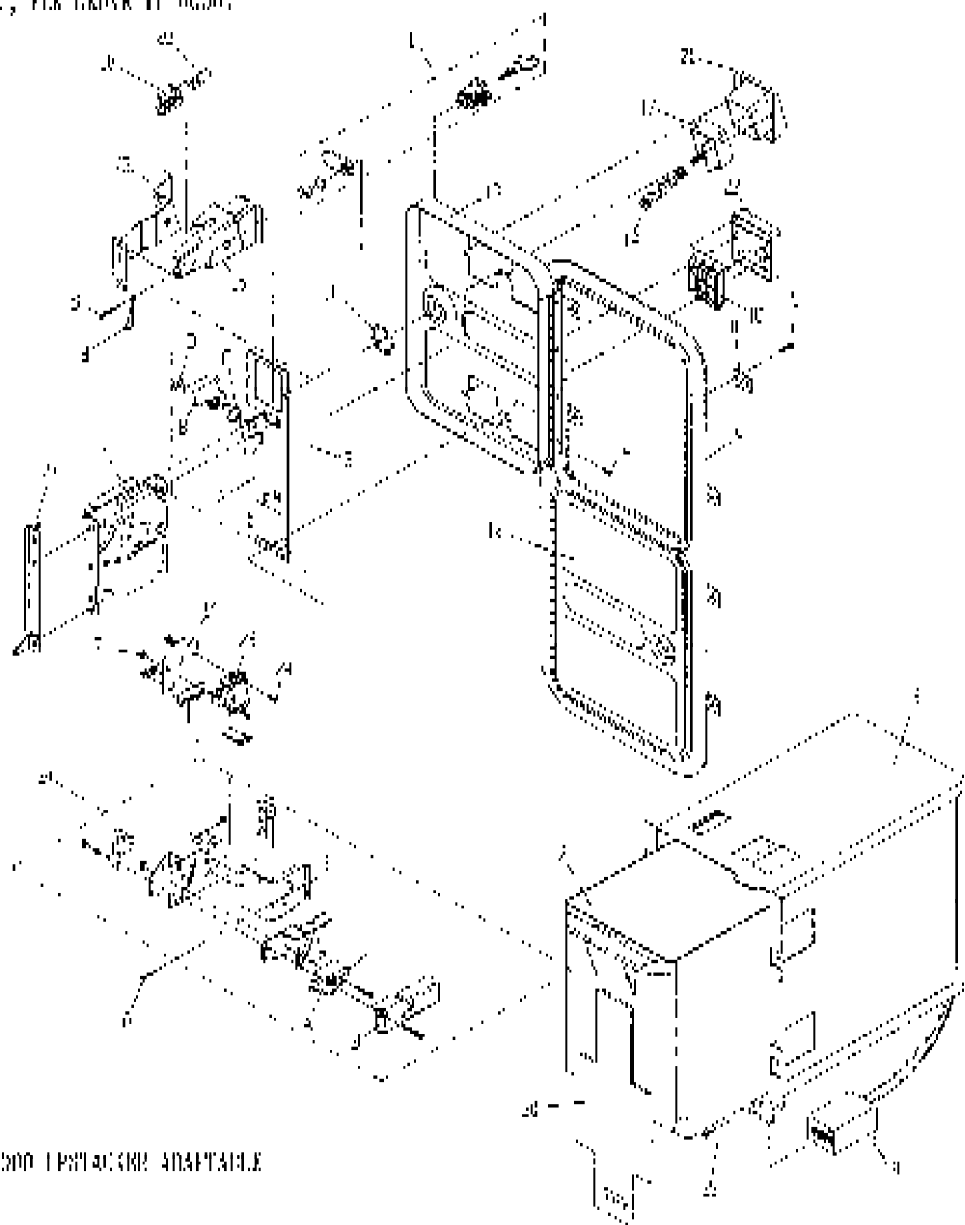
*The back flange on the chute can be removed for hold position #4. If the flange is not removed, it may interfere with the back of the cabinet.

The frame and cashbox enclosure on this coindoor has been modified to accomodate a Mars 2000 series upstacker. A 2000 series stacker can be added by simply removing the top two entry door and replacing it with a one entry door with a cut-out for a stacker. This one entry door can be ordered through Coin Controls or one of Coin Controls authorized distributors. The part number is 91-4000-01. The Mars stacker can be obtained through an authorized Mars distributor.

COIN CONTROLS INTERNATIONAL

1050 HOWARD ST., FLE GROVE II 60307
(845) 238 1810

OVER/UNDER TWO ENTRY COIN DOOR*



*MSB SERIES 2500 EQUIPMENT ADAPTABLE

PART #	DESCRIPTION	COST	PART #	DESCRIPTION	COST	PART #	DESCRIPTION	COST		
11	12-4050-02	3.50	161	91-120-16	BRACKET TOP W/DOOR HINGE	1.70	30	28-1011-06	2 1/2" DIA. WHEEL	2.50
12	12-4130-01	2.00	171	91-1113-01	SCREW/HEADSET BOTTOM 3/8"	0.50	33	30-1005-00	1.37 1/2" WHEEL	0.50
21	28-1177-00	2.40	181	91-1117-00	CAMSPRING	1.40	39	30-1032-01	KEYER & LOCKOUT NOISE	25
31	28-1163-00	17.50	191	91-1112-00	2 1/2" BOTTOM SPRING	1.30	40	22-1440-00	LOCKING PIN	2.00
41	90-1002-00	1.50	201	91-1118-00	9/16" LAMP TUBE BASE	1.50	51	30-1010-00	SPR. COLLAR/STOP	1.25
51	90-1000-00	1.25	211	91-1111-00	TOP/ON BEZEL BLADE	2.50				
61	90-1015-00	1.50	221	91-1112-00	BOTTOM BEZEL BLADE	2.50				
71	50-1205-02	25	231	91-2125-00	2 1/2" LOCKOUT TOLL ASSEMBLY	12.95				
81	50-1206-00	1.50	241	91-2126-00	ILLUMINATION ASSEMBLY	16.50				
91	51-1008-00	30.00	241	91-1116-00	MICROSWITCH BLACK	0.40				
101	51-1009-00	1.40	251	91-1117-00	MICROSWITCH WHITE	0.40				
111	51-1047-00	0.25	261	91-1118-00	MICROSWITCH RED	0.40				
121	51-1005-00	0.50	261	21-125-00	MICROSWITCH PLASTIC COVER	1.25				
131	51-1004-00	0.50	271	91-1002-01	COIN INLET LAMP STOP	1.20				
141	51-1006-00	10.00	281	91-1002-02	COIN INLET COVER SPRING	1.60				
151	91-1006-00	4.50	291	22-1023-00	HEAD SPRING BRACKET	1.50				

PARTS LIST NOTE:

When ordering these parts please use these part numbers as replacement.

CASTERS/LEG LEVELERS

CASTER 2 1/2":

999-0169

LEG ADJUSTER BOLT 1/2x13x3:

999-0167

See diagram below for reference.

CASH BOX

CASH BOX:

BOX-CASH

