



GUN SERVICE PACKAGE

GUN DISASSEMBLY

* Refer to the Parts List and Breakdown for any Part names.

1. Lay gun flat with all ten (10) (LH) bolt heads upward. SEE FIG. 1
2. Loosen the nine (9) LH bolts that are recessed in the gun housing until the nuts fall from the bottom shell. Leave bolts in holes.
3. Remove the one (1) remaining LH bolt holding the grip band to the base of the gun. The nut is welded in place. Slide grip band down over the gun cable and remove. ITEM #7
4. Carefully remove upper half of gun shell. Leave all bolts in their holes and set shell aside.
5. Remove lens.
6. To reassemble, follow Steps 1-5 in reverse order. Make sure that none of the wires gets pinched between the two shells during reassembly.

TO REMOVE GUN CABLE

* First refer to disassembly procedure.

1. Remove LH bolt attaching the chain to the frame collar. Spread the frame collar and slide off the grip frame. ITEM #1, Fig 2
2. Loosen all four (4) set screws on bottom of grip frame with a 5/64" Allen wrench.
3. Turn the grip frame until a fifth set screw (on top of the grip frame) is upward. Loosen this one also.
4. Remove the four (4) wires with slide terminals on top of the swivel contact assembly. Attach them together in pairs as shown in Figure A. (This will help reassembly.)
5. Pull cable from gun, feeding the wires through the center of the swivel contact assembly. The swivel contact assembly does not need to be removed.
6. Remove the red and white connectors from the opposite end of the gun cable by gently pushing down the retaining tabs as shown. Be sure to note the wire color code.
7. Pull wires through inside of cable. Visually inspect wires and check for continuity on all four wires. If any one wire does not check good for continuity, replace entire wire assembly.
8. Replace cable if necessary.
9. To reassemble, follow Steps 1-8 in reverse order. The fifth set screw (on top of the grip frame) should set properly into the cord stop collar.
10. Transfer chain to new cable. Be sure to leave slack in the cable between the base of the gun and the first chain ring frame. This removes the cable stress from the base of the gun.

TO REPLACE SWIVEL CONTACT ASSEMBLY

- * First refer to disassembly procedure.
- 1. Remove the four (4) wires attached to terminals at the top of the swivel contact assembly. Attach them together as shown in Figure A. (This will help reassembly.)
- 2. Remove the two (2) small screws mounting the swivel contact assembly to the lower shell. These screws are threaded into the plastic shell. Be sure not to strip these threads. The gun cable does not need to be removed. Just lift swivel contact assembly and wires will slide through the center.
- 3. Desolder the five (5) wires attached to the four swivel contacts. Note the wire color coding for each contact. (See Figure C.)
 - The swivel is a very delicate unit. Hold by grey plastic frame only. Avoid turning when not mounted firmly in place.
- 4. Inspect through the clear shield. Verify that there is:
 - A) One (1) large contact on the top of each plate.
 - B) Four (4) small contacts on the bottom of each plate.
 - C) Continuity from the four (4) top terminals to each assigned side contact. If it doesn't check good, replace swivel contact assembly.
- 5. Reassemble by following Steps 1-3 in reverse order.

TO REPLACE TRIGGER SWITCH ASSEMBLY

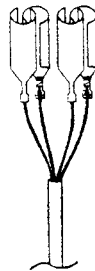
- * First refer to disassembly procedure.
- 1. Remove trigger assembly from shell.
- 2. Desolder two (2) wires attached. (Note color coded wires. See Figure D.)
- 3. Replace assembly in reverse order Steps 1-2. Be sure to insert pegs into proper holes.

TO REPLACE P.C. BOARD ASSEMBLY

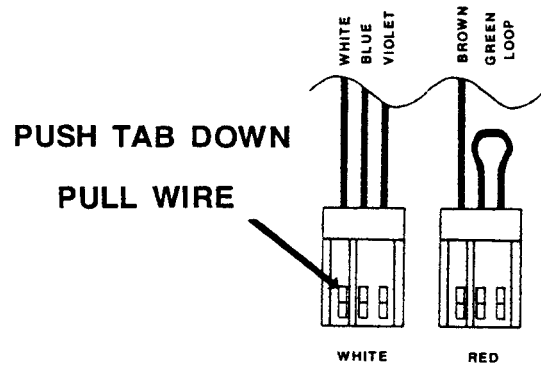
- * First refer to disassembly procedure.
- 1. Remove P.C.B. assembly and ground plate from shell.
- 2. Desolder three (3) wires attached. (Notice color coding marked on P.C.B.)
- 3. Replace in reverse order of Steps 1 and 2. Be sure to place P.C.B. on top of both retaining tabs so that it sits firmly.

TO REPLACE OUTER SHELLS

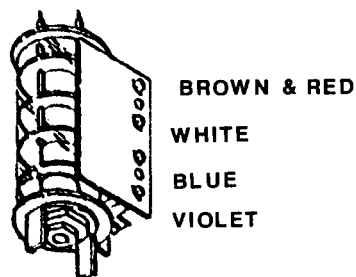
1. If just upper shell (left shell) needs to be repaired, follow disassembly Steps 1-4 and replace. Note Step 4 below.
2. If the lower shell (right shell) needs to be repaired, follow disassembly Steps 1-5.
3. Remove the two (2) screws that mount the swivel contact assembly to the lower shell. These screws are threaded into the plastic shell. Be sure not to strip threads.
4. Inspect all parts for breaks or chips. If necessary, replace.
5. Transfer all parts to new lower shell and reassemble. If unsure about installation of any part, refer to instructions on that specific part.



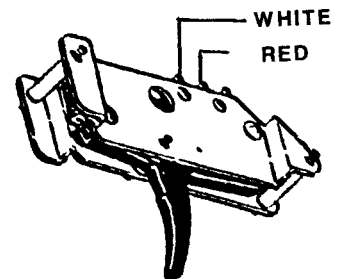
(FIG. A)



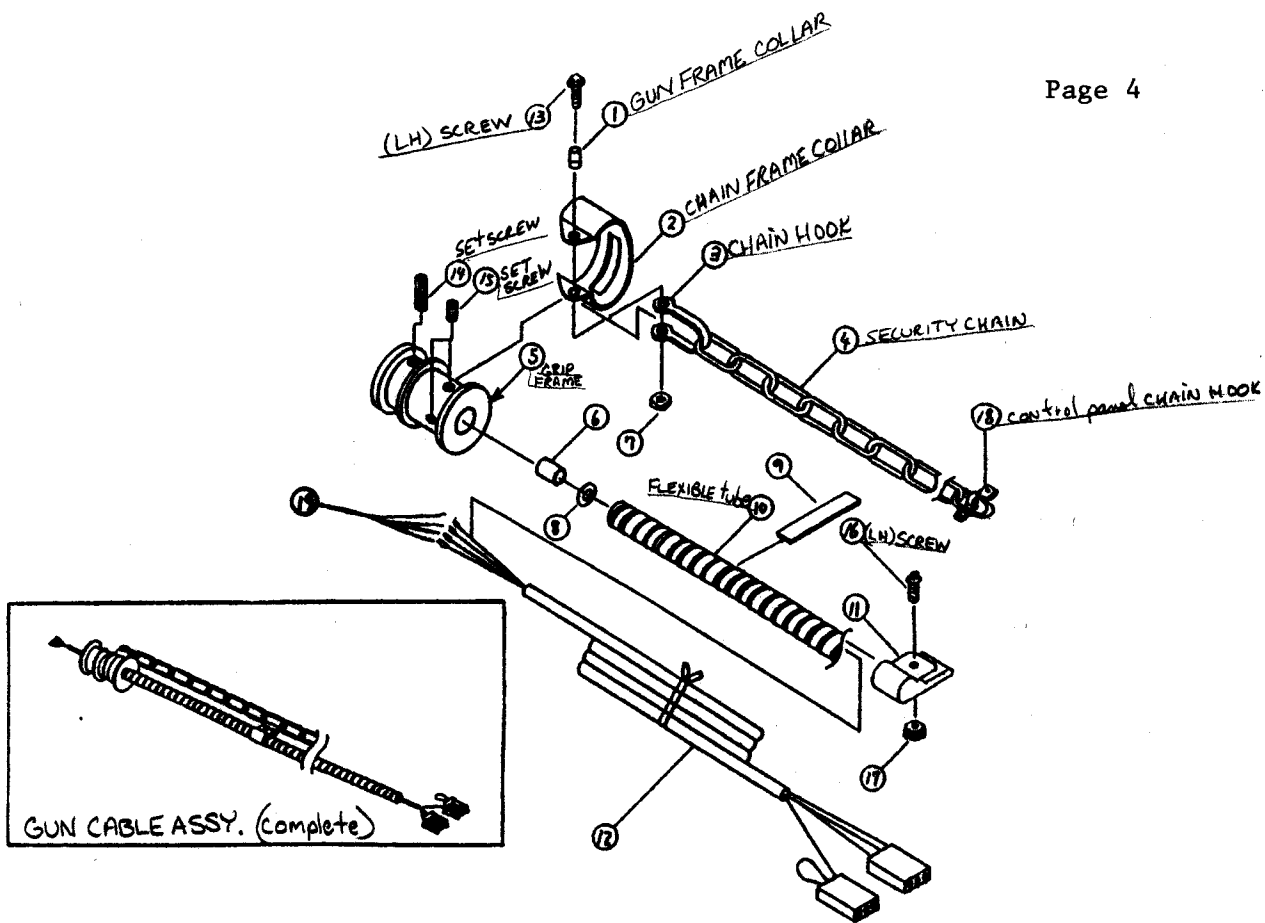
(FIG. B)



(FIG. C)

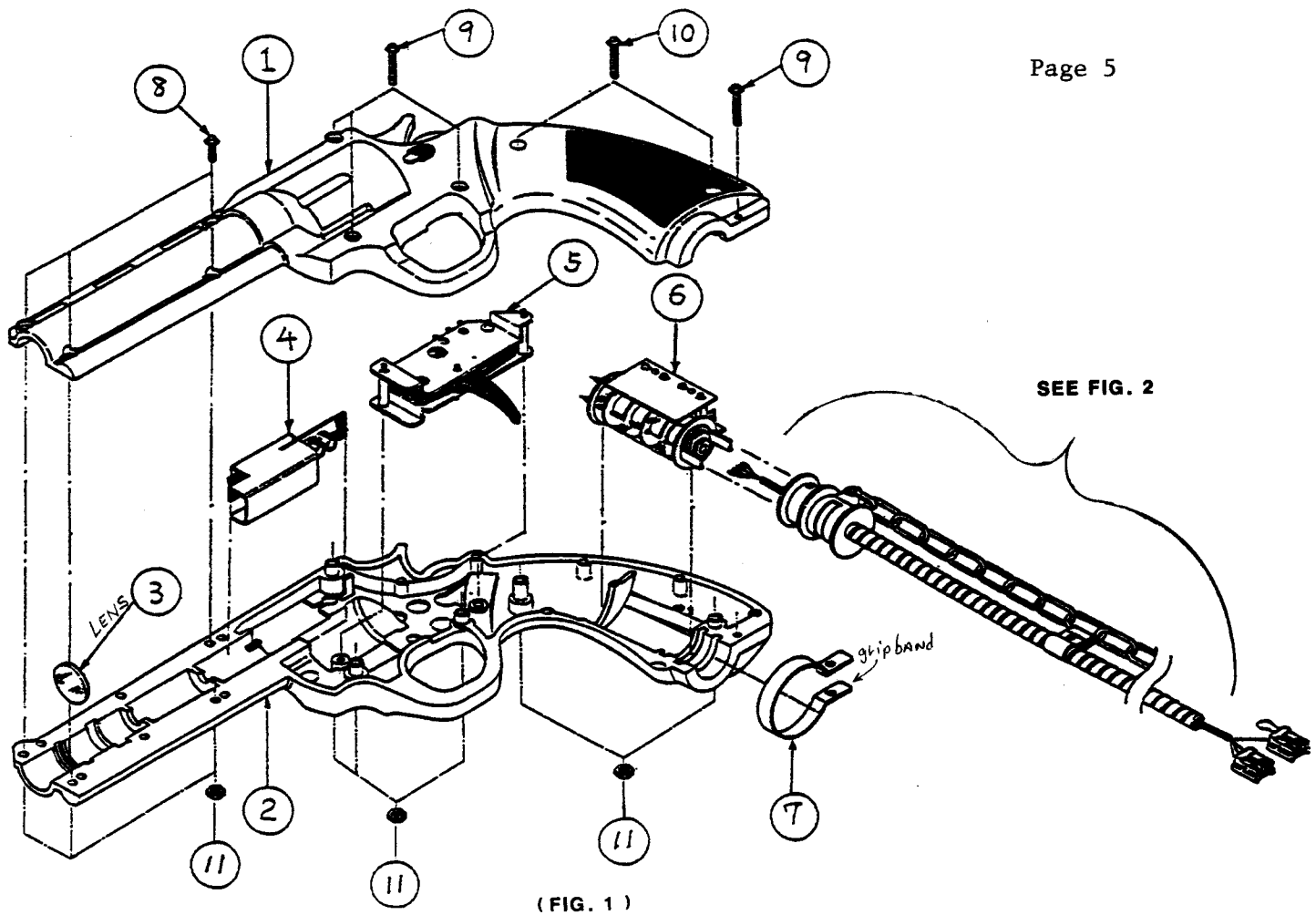


(FIG. D)



(FIG. 2)

Item Number	Part Number	Description
1	MDSG2-11-16	Gun Frame Collar
2	MDSG2-11-21	Chain Frame Collar
3	MDSG2-11-17	Gun Chain Hook
4	MDSG2-11-20	Security Chain
5	MDSG2-11-11	Grip Frame
6	MDSG2-11-13	Cord Stop Collar
7	MDSG2-53-14	Nut M3
8	MDSG2-54-11	Flat Washer M4.5
9		Double Back Tape
10	MDSG-14-03	Flexible Tube
11	MDSG2-11-19	Chain Ring Frame
12	MDSG-14-04	Gun Harness (inside tube)
13	MDSG2-51-15	LH Screw (nickel)
14	MDSG2-51-16	Set Screw
15	MDSG2-51-17	Set Screw
16	MDSG2-51-14	LH Screw (nickel)
17	MDSG2-53-12	Flange Nut M3 (nickel)
18	MDSG-63-13	Control Panel Chain Hook
19	MDSG2-41-10	Swivel Contact Terminal Connector



(FIG. 1)

Item Number	Part Number	Description
1	MDSG2-12-11	Gun Housing (left)
2	MDSG2-12-12	Gun Housing (right)
3	MDSG2-13-11	Lens
4	MDSG2-10-01	Gun PC Board Assy
5	MDSG2-10-03	Trigger Assy
	MDSG-14-14	Trigger Spring (trigger assy)
	MDSG-34-11	Micro Switch (trigger assy)
	MDSG-51-11	Machine Screw (trigger assy)
	MDSG-51-12	Machine Screw (trigger assy)
	MDSG-53-11	Cel-Flange Nut (trigger assy)
	MDSG-53-12	Nut M2.3 (trigger assy)
6	MDSG2-10-02	Swivel Contact Assy
7	MDSG2-11-18	Grip Band
8	MDSG2-51-11	LH-3 Screw (black)
9	MDSG2-51-12	LH-3 Screw (black)
10	MDSG2-51-13	LH-3 Screw (black)
11	MDSG2-53-15	Nut M3 (black)
	MDSG2-09-00	LH Tool