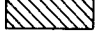


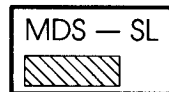
VS. SLALOM™

(Operation Manual)

MDS(MGS)

1. How to install Software ROMs

Each Software ROM is labeled with a Location Number shown on it ( Shaded Portion illustrated below), which indicates the corresponding location on the PC. Board where it should be installed.

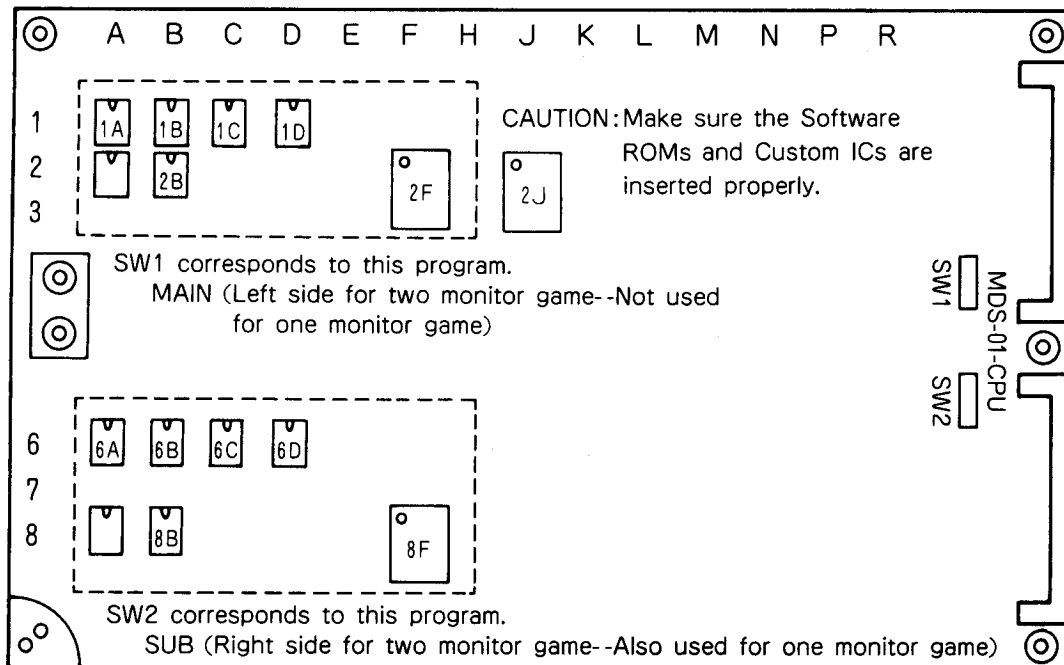


(Label on Software ROM)

"VS. SLALOM™" contains 5 Software ROMs, and 1 Custom IC, which have location numbers, 1A or 6A, 1B or 6B, 1C or 6C, 1D or 6D, 2B or 8B and 2F or 8F. Each ROM and IC must be mounted into the proper IC Socket.

For VS.DUAL SYSTEM (two monitors): If "VS. SLALOM" is to be installed in main (left) side of cabinet, then EPROMs and Custom IC should use locations 1A, 1B, 1C, 1D, 2B and 2F. For sub (right) side, use locations 6A, 6B, 6C, 6D, 8B and 8F.

For VS.UNISYSTEM (one monitor): "VS. SLALOM" EPROMs and Custom IC must use locations 6A, 6B, 6C, 6D, 8B and 8F (sub side).

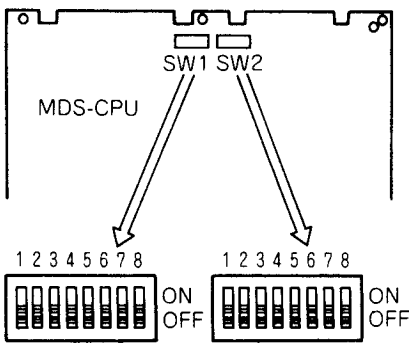


ROM and IC Location on PC. Board

NOTE: "VS. SLALOM" can be interchanged between left and right side on two monitor game.

2. Points and methods of adjustment

Game Option Settings MDS P.C. Board



SW1...MAIN (Left side for two monitor game —
Not used for one monitor game)

SW2...SUB (Right side for two monitor game —
Also used for one monitor
game)

MDS FOR VS. SLALOM

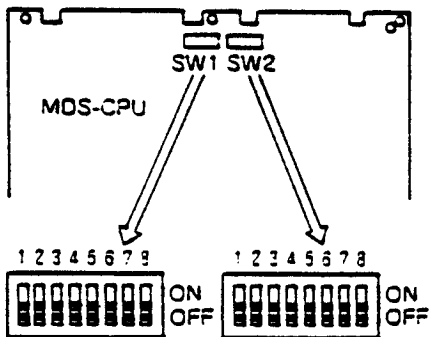
		SW1 (SW2)							
		1	2	3	4	5	6	7	8
Coin/Credit	1/1	OFF	OFF	OFF					
	1/2	OFF	OFF	ON					
	1/3	OFF	ON	OFF					
	2/1	OFF	ON	ON					
	3/1	ON	OFF	OFF					
	4/1	ON	OFF	ON					
	5/1	ON	ON	OFF					
Free Play		ON	ON	ON					
Freestyle Points	Left/Right				OFF				
	Hold Time				ON				
Difficulty	Easy 1					OFF	OFF		
	Normal 2					ON	OFF		
	Medium 3					OFF	ON		
	Hard 4					ON	ON		
Continue	Yes							OFF	
	No							ON	
Not Used - Must Be Set to "OFF"									OFF

*Factory Suggested Settings



Back Door Adjustment Label

Game Option Settings MDS P.C. Board



SW1...MAIN (Left side for two monitor game —
Not used for one monitor game)

SW2...SUB (Right side for two monitor game
— Also used for one monitor
game)

MDS FOR VS. SLALOM

		SW1 (SW2)							
		1	2	3	4	5	6	7	8
Coin/Credit	1/1	OFF	OFF	OFF					
	1/2	OFF	OFF	ON					
	1/3	OFF	ON	OFF					
	2/1	OFF	ON	ON					
	3/1	ON	OFF	OFF					
	4/1	ON	OFF	ON					
	5/1	ON	ON	OFF					
Free Play		ON	ON	ON					
Freestyle Points	Left/Right				OFF				
	Hold Time				ON				
Difficulty	Easy 1					OFF	OFF		
	Normal 2					ON	OFF		
	Medium 3					OFF	ON		
	Hard 4					ON	ON		
Continue	Yes							OFF	
	No							ON	
Not Used - Must Be Set to "OFF"									OFF

*Factory Suggested Settings



CHECK YOUR DIP SWITCH SETTINGS!!

TO MAXIMIZE
YOUR EARNINGS USE
FACTORY SUGGESTED SETTING

FACTORY SUGGESTED SETTING
VS. **SLALOM™**

SW1 or SW2

