

COIN CELECTOR MODEL AD-81P

FEATURES

● COMPACT DESIGN

The Model AD-81P, with its 3.5" wide one-way drop selector, is a best seller among this type of model. It can be utilized in a wide range of coin applications.

● STABLE PERFORMANCE

This Model gives stable performance, the cradle and magnet ensure strict inspection of the diameter, thickness and material of each coin, thus preventing fraud.

OTHER MODELS IN THIS SERIES

Model AP-81P2, has a main body of constructed plastic, allowing for light weight and protection against rust (shown below).



GENERAL SPECIFICATIONS

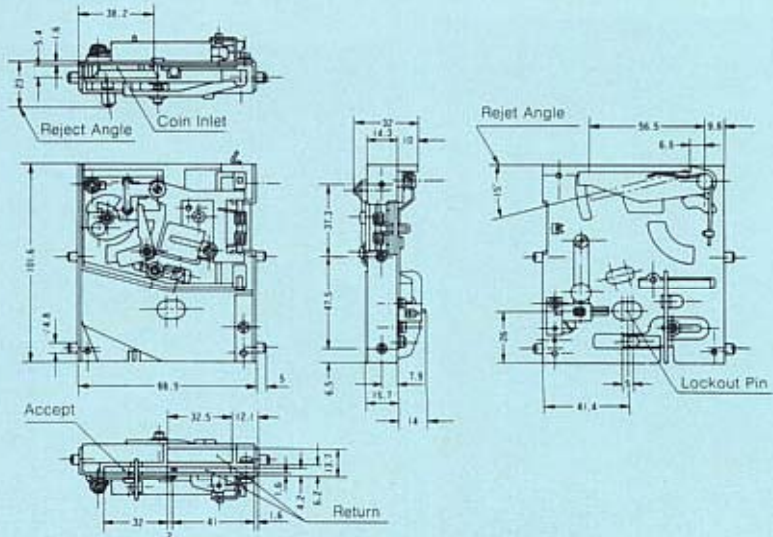
- ◆ Applicable Coin Size:
 - US 25c Coin, or
 - Diameter: 21.0mm ~ 27.5mm
 - Thickness: 1.0mm ~ 2.0mm
- ◆ Selection Method:
 - Mechanical
 - (diameter, thickness and material)
- ◆ Fraud Prevention Method:
 - (1) Wire and Cotton Checker
 - (2) Check Lever
 - (3) Limit Lever
- ◆ Position in Use:
 - Upright or within 2° in any direction
- ◆ Required Interval of Insertion: 0.5 seconds
- ◆ Operating Temperatures: -15°C ~ +60°C
- ◆ Weight: AD-81P aprx. 227.5g
- AD-81P2 aprx. 150g

ACCESSORIES

Model CB/81M, private channel bracket with micro-switch.

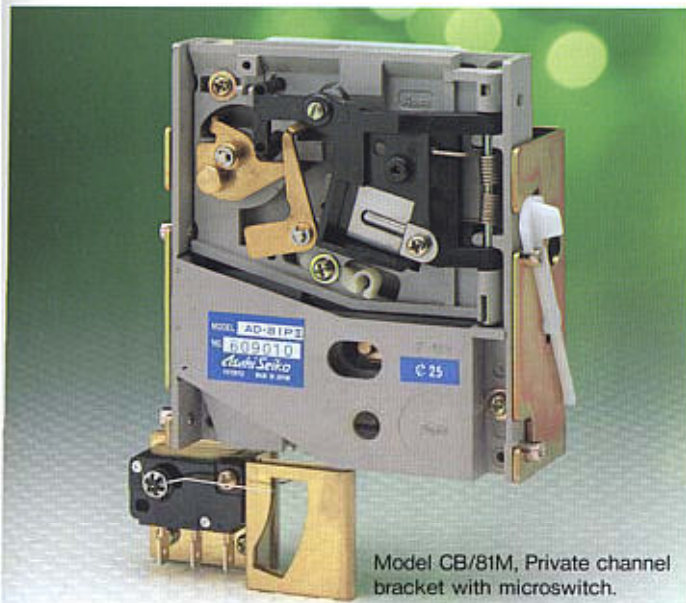
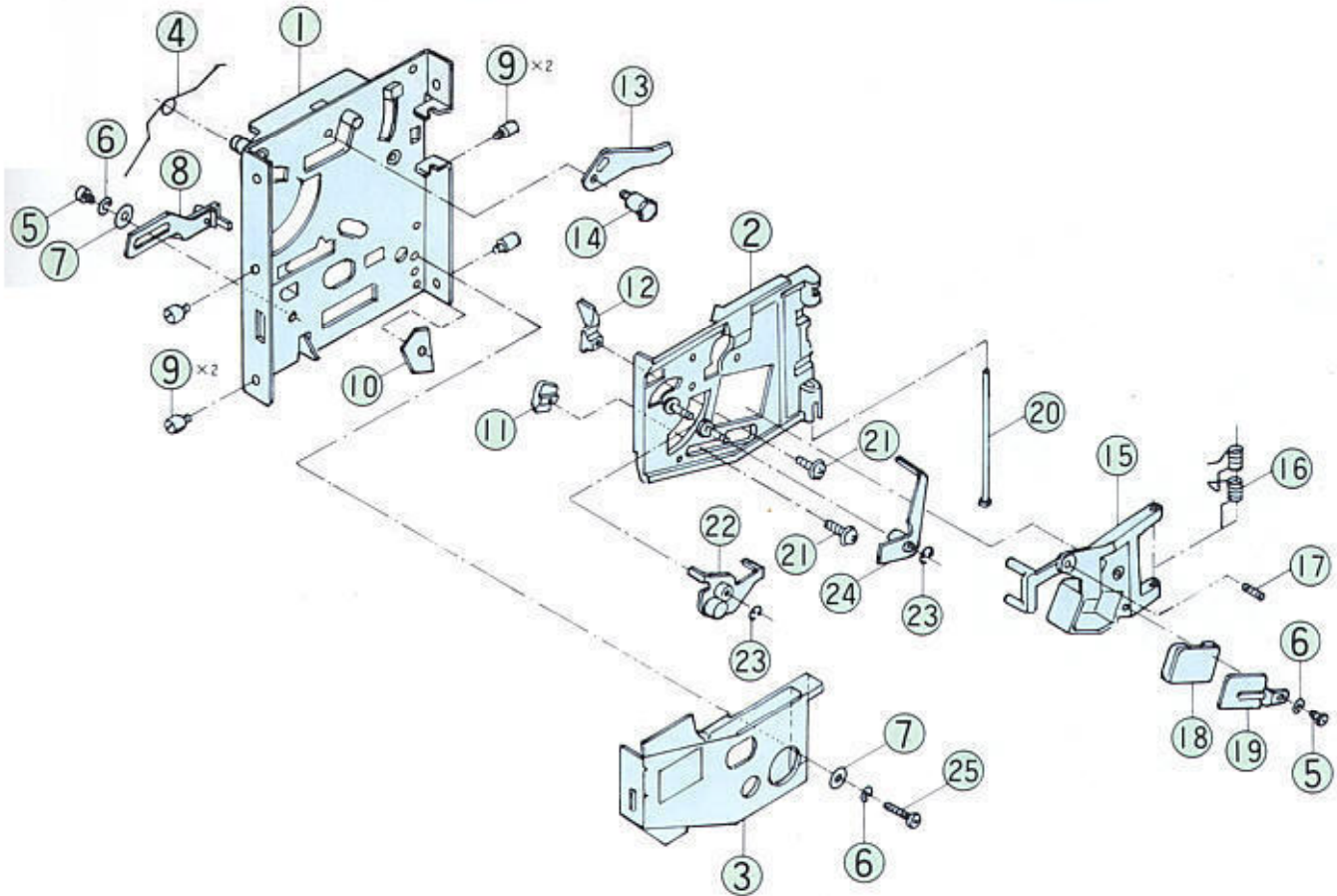
Lean stopper (option).

TECHNICAL SPECIFICATIONS



UTILIZING A CRADLE AND MAGNET TO ENSURE STRICT INSPECTION OF EACH COIN, THIS 3.5" WIDE, COMPACT SELECTOR IS WIDELY USED IN THE AMUSEMENT AND GAMING INDUSTRY.

EXPLODED VIEW



Model CB/81M, Private channel bracket with microswitch.

PARTS LIST

No.	Parts Name	No.	Parts Name
1	Base Plate	19	Magnet Stopper
2	Door Plate	20	Span Pin
3	Chute	21	Screw M3×5
4	Cancel Spring	22	Cradle
5	Screw M3×4	23	∅2 E Ring
6	M3 SW	24	Limit Lever
7	Washer 3×8×0.8	25	Screw M3×10
8	Check Adjuster	26	Retainer
9	Hanger Screw	27	Actuator
10	Anvil	28	Screw M3×18
11	Coin Rail	29	Microswitch
12	Gate Adjuster	30	Microswitch Mtg. Chute
13	Wiper	31	Selector Hook
14	Wiper Pin	32	Channel Bracket
15	Cancel Magnet Holder		
16	Span Spring		
17	Screw M4×10		
18	Magnet		