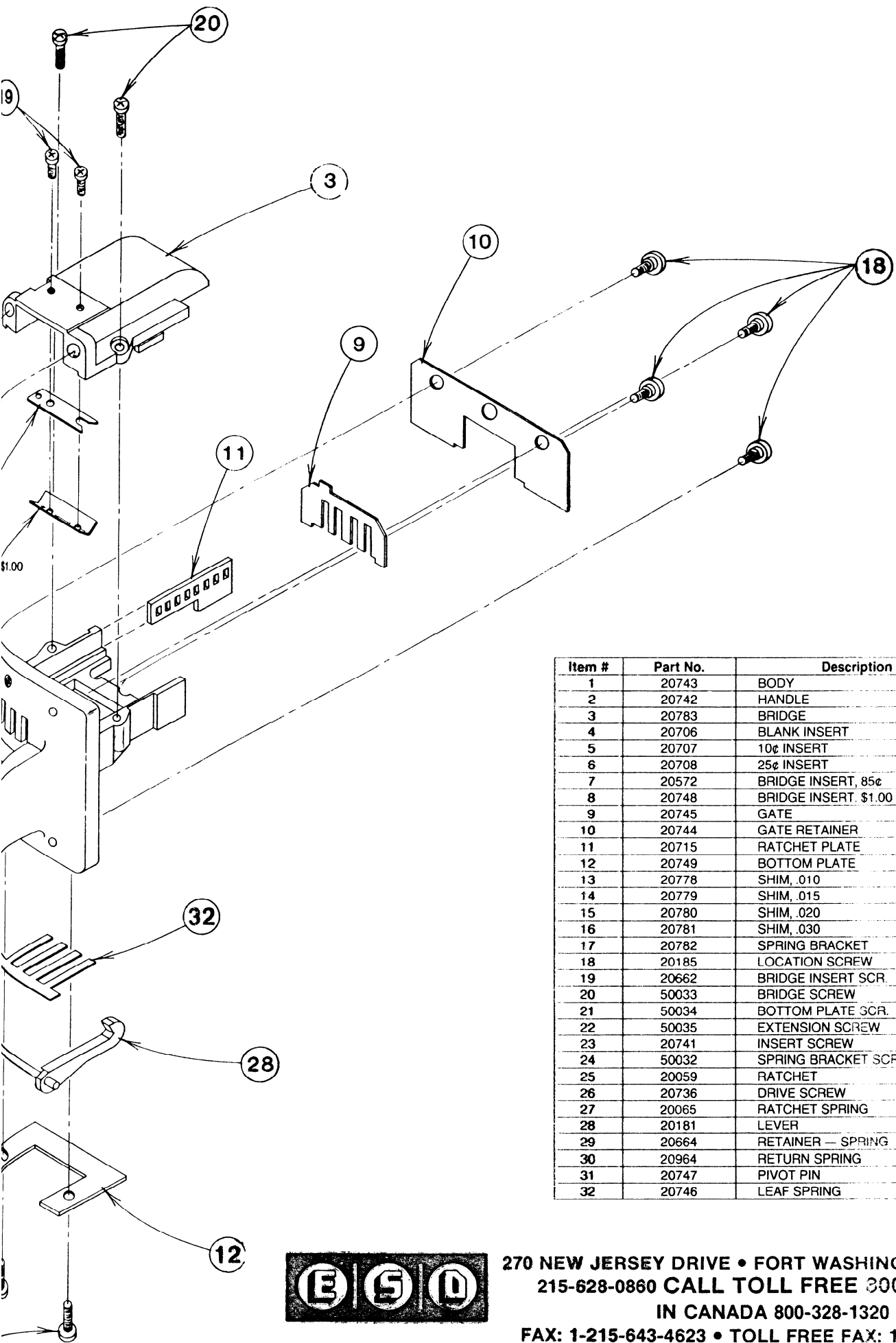


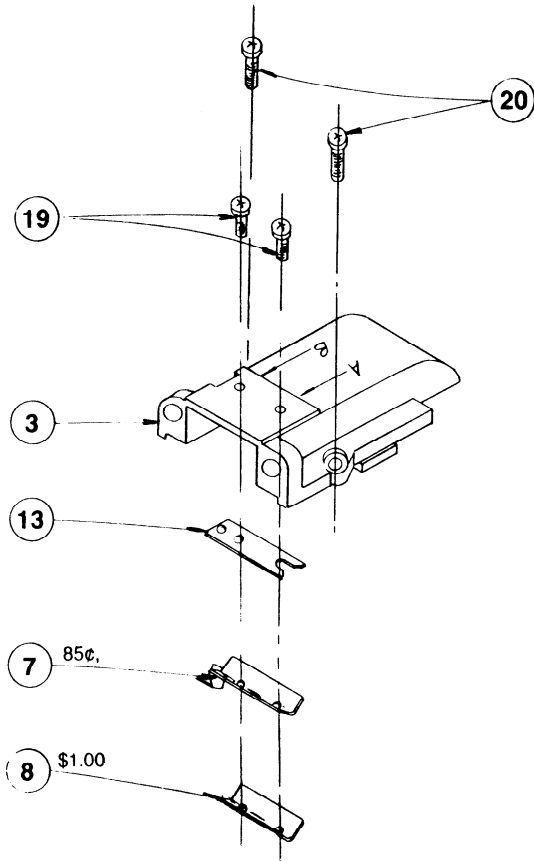
Model V-4 Parts List



Item #	Part No.	Description
1	20743	BODY
2	20742	HANDLE
3	20783	BRIDGE
4	20706	BLANK INSERT
5	20707	10¢ INSERT
6	20708	25¢ INSERT
7	20572	BRIDGE INSERT, 85¢
8	20748	BRIDGE INSERT, \$1.00
9	20745	GATE
10	20744	GATE RETAINER
11	20715	RATCHET PLATE
12	20749	BOTTOM PLATE
13	20778	SHIM, .010
14	20779	SHIM, .015
15	20780	SHIM, .020
16	20781	SHIM, .030
17	20782	SPRING BRACKET
18	20185	LOCATION SCREW
19	20662	BRIDGE INSERT SCR.
20	50033	BRIDGE SCREW
21	50034	BOTTOM PLATE SCR.
22	50035	EXTENSION SCREW
23	20741	INSERT SCREW
24	50032	SPRING BRACKET SCR.
25	20059	RATCHET
26	20736	DRIVE SCREW
27	20065	RATCHET SPRING
28	20181	LEVER
29	20664	RETAINER — SPRING
30	20964	RETURN SPRING
31	20747	PIVOT PIN
32	20746	LEAF SPRING



270 NEW JERSEY DRIVE • FORT WASHINGTON, PA 19034
 215-628-0860 CALL TOLL FREE 800-523-1510
 IN CANADA 800-328-1320
 FAX: 1-215-643-4623 • TOLL FREE FAX: 1-300-548-1638



FOR \$1.00 PRICE CONVERSION ONLY

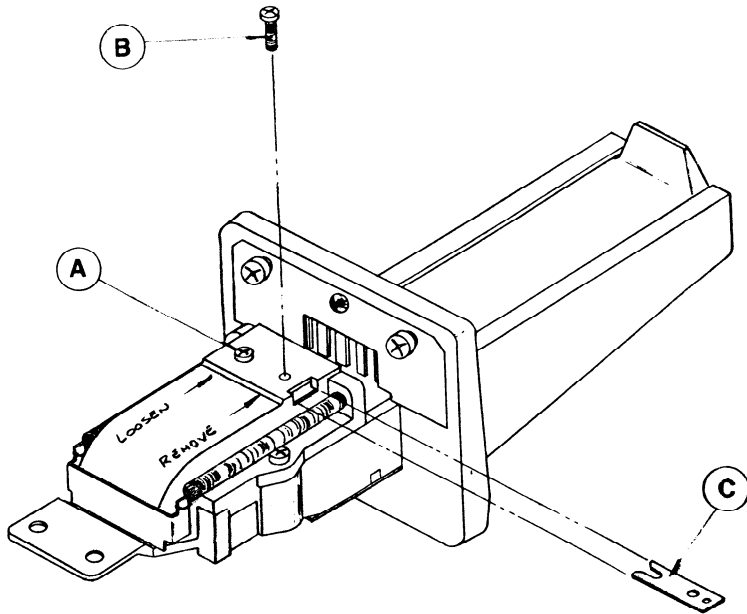
REMOVE TWO SCREWS ITEM #20 (REMOVES BRIDGE).

REMOVE TWO SCREWS ITEM #19 (REMOVES COIN ACCEPTING INSERT ITEM #7 AND ITEM #13 SHIM(S)).

REPLACE WITH \$1.00 COIN ACCEPTING INSERT ITEM #8.

TO REASSEMBLE, REVERSE STEPS TAKEN ABOVE.

IF SLIDE IS ALREADY SET AT \$1.00 AND YOU WISH TO CHANGE TO 85¢, FOLLOW SAME PROCEDURE AS ABOVE, REPLACE \$1.00 ACCEPTING INSERT ITEM #8 WITH 85¢ ACCEPTING INSERT ITEM #7.



SHIM THICKNESS	PART NO.	DESCRIPTION
.010	20778	STAINLESS STEEL
.015	20779	COPPER
.020	20780	BRASS
.030	20781	BLACK

SHIM INSTRUCTIONS

1. LOOSEN SCREW "A" 1-1/2 TURNS
2. REMOVE SCREW "B"
3. REMOVE OR ADD SHIMS "C"
4. REPLACE SCREW "B" TIGHTEN SCREW "A"

**SHIMMING INSTRUCTIONS
MODEL V-4**

V-4

VEND PRICE CONVERSION

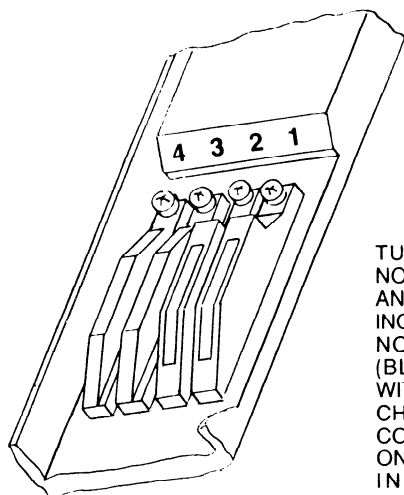
Simple, easily — with a Phillips screwdriver

REMOVE YOUR COIN SLIDE FROM THE MACHINE.

INSERT PROPER COINAGE INTO THE SLIDE.

PUSH HANDLE FORWARD SLOWLY UNTIL THE COINS DROP.

YOU ARE NOW IN YOUR PRICE CHANGE POSITION.



**BOTTOM SIDE
PRICES CHANGES**

TURN YOUR SLIDE OVER. NOTE THE NUMBERS 4, 3, 2, 1 AND THEIR 4 CORRESPONDING FUNCTIONAL CORES AND NON FUNCTIONAL CORES (BLANKS) HELD IN PLACE WITH SCREWS. MOST PRICE CHANGES ARE SIMPLY ACCOMPLISHED BY REMOVING ONE OR TWO CORES AND INTERCHANGING WITH CORE(S) STORED AND SECURED BY A SCREW IN THE TOP STORAGE AREA.

NOTE: Slot one must be a 10¢ core with 85¢ — coin accepting bridge insert.

VEND PRICE ADJUSTMENT CHART MODEL V-4				
DESIRED VEND PRICE	INSTALL CORES INTO CORRESPONDING NO. SLOTS IN HANDLE SLOT NO.			
	4	3	2	1
10	B	B	B	10
25	B	B	25	B
35	B	B	25	10
50	B	25	25	B
60	B	25	25	10
75	25	25	25	B
85	25	25	25	10
100	25	25	25	25
"B" NON-FUNCTIONAL BLANK				