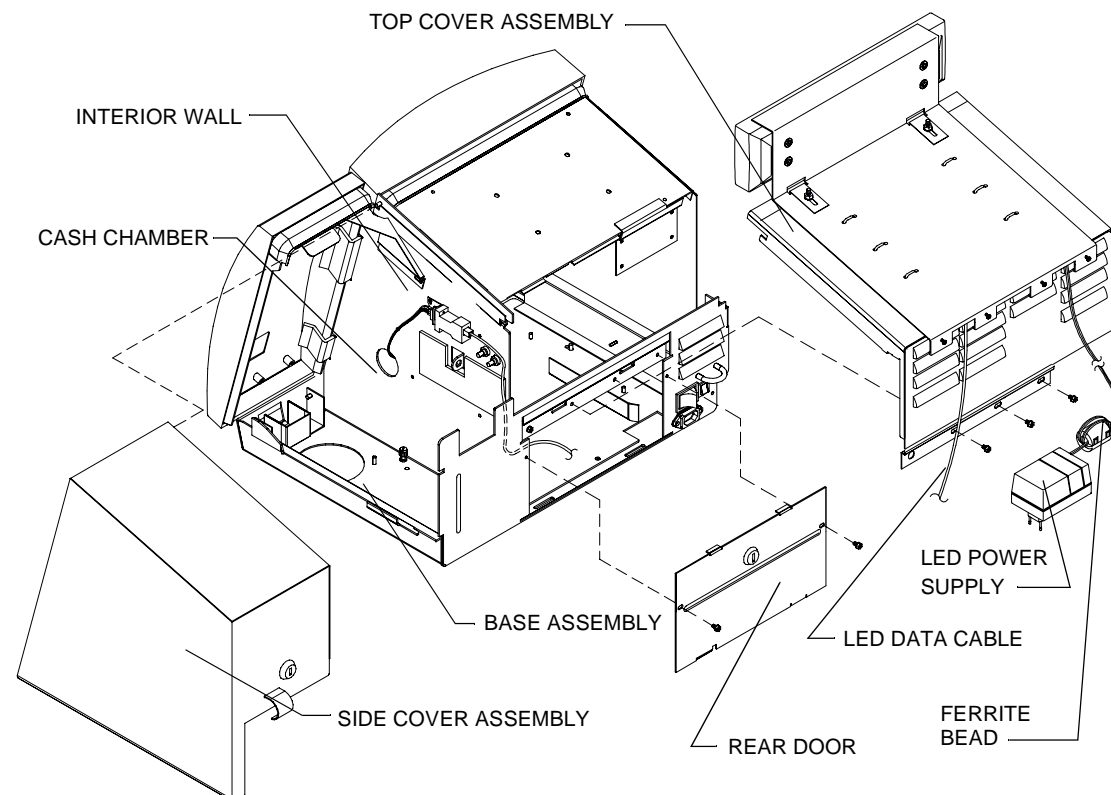


## Update Hard Drive

Refer to sheet 16-11081.2 (or most recent version), "CD-ROM Upgrade Instructions."

## Reinstall Doors and Covers

1. Hold Top Cover Assembly, with Mounting Bracket, in place over Base Assembly close enough to reconnect fan cable.
2. Slide Top Cover Assembly fully onto Base Assembly. Do not pinch cables.
3. Fasten three screws and tighten Top Cover to Base Assembly.
4. Run LED data cable through rear door opening and along cash chamber back wall into cash chamber. Connect into RJ25 port on DB9 to RJ11 Adapter.
5. Slide Side Cover Assembly onto Base Assembly. Turn key 90 degrees counter-clockwise.
6. Route modem cable and LED data cable through notch in Rear Door. Bundle extra data cable to DB9 to RJ11 Adapter with tye wrap. Insert bottom hinges of Rear Door into Base Assembly and swing Door closed. Turn key 90 degrees counter-clockwise to lock. Reinstall screws.



### COVER AND DOOR REMOVAL AND REPLACEMENT

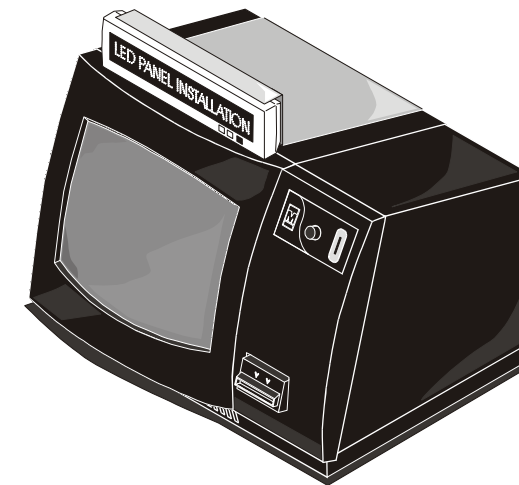
## Plug in Equipment

1. Plug in Touchmaster Infinity line cord into receptacle on cabinet rear and AC outlet.
2. Wrap LED power supply cord around ferrite bead twice, then pass it through bead. Close bead and plug LED power supply into the nearest receptacle.
3. If necessary, plug the supply into a suitably listed power strip or cord set. Make sure supply connection is rated appropriately. Ensure all connections are in compliance with National Electrical Code, NPFA 70 and local authorities having jurisdiction.



JUNE 2000

16-11170.1



## COUNTERTOP LED PANEL INSTALLATION

Inspect components for damage before assembling. The following is a list of the most vital components.

Item	Part No.	Qty	Item	Part No.	Qty
LED Display & Power Cable	20-10735	1	LED Mounting Bracket	04-13083	1
LED Data Cable (7')	20-10737	1	Adhesive Footing	23-6830	4
Ferrite Bead	5556-16550-00	2	Tye Wrap (4")	03-10047	12
ESNA Nut	4410-01132-00	2	Mounting Clip	01-15309	2
#8x5/8 Torx screw	4108-01193-10B	4	Internal Serial Cable	04-12941.1	1
6-32x1/2 Torx screw	4006-01100-08	4	Ser. Port Mount. Brckt	01-14556	1
8-32x3/8 pin head screw	4008-01227-06	1	1/4 Spacer	03-6047-1	2
4-40x1 pin head screw	4004-01005-16	2	DB9-RJ11 Adapter	20-10736.1	1
MTN logo	31-3646	1	RJ11 cable coupler	20-10734	1
CD-ROM Update Instructions	16-11081.2	1	Tee adapter	20-10657	1
Update CD-ROMs (3)	04-13091	1	Modem cable (20')	20-10631	1
MTN Handbook	16-11184	1	CD-ROM Update cable	20-10670-1	1
Key T-20	20-9620	1	Key T-10	20-9642	1
"All Ages" decal	16-10419.1-1	1	"Sexual Content Strong" decl	16-10419.1-8	1

MIDWAY AMUSEMENT GAMES, LLC

3401 N. CALIFORNIA AVENUE CHICAGO, ILLINOIS 60618 USA

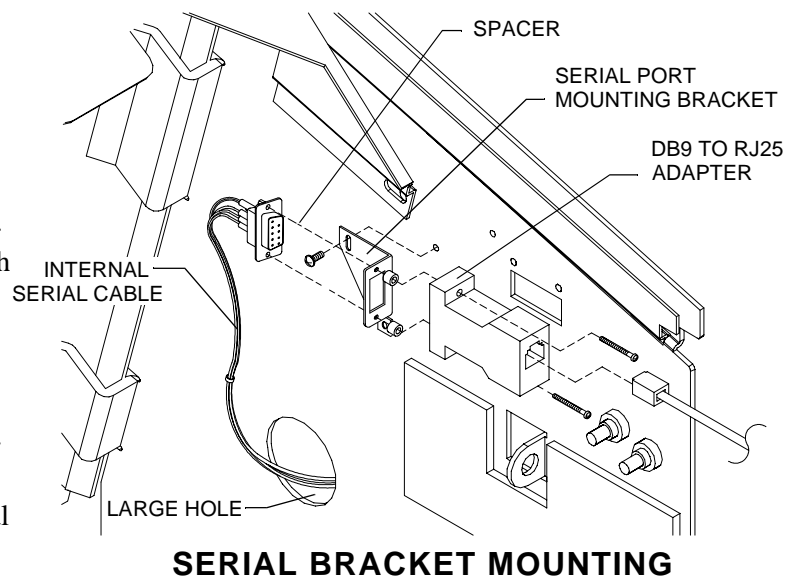
[HTTP://WWW.MIDWAY.COM](http://www.midway.com)

## Access Cabinet Interior (See illustration on back page)

1. Turn AC power off and unplug line cord.
2. Insert key into rear lock of Side Cover Assembly. Turn key 90 degrees clockwise to unlock.
3. Grasp hook and pull down along base assembly. Set cover aside. Remove cash vault and set aside.
4. Remove two screws that secure Rear Door.
5. Insert key into Rear Door. Turn key 90 degrees clockwise to unlock.
6. Rear Door is hinged at bottom. Swing Door on hinge, remove, and set aside.
7. Remove three right screws from rear of Top Cover Assembly.
8. Gently pull Assembly downward two or three inches along Base Assembly and pivot enough to expose fan wire. Disconnect fan wire.
9. Remove Top Cover Assembly and set in safe place.

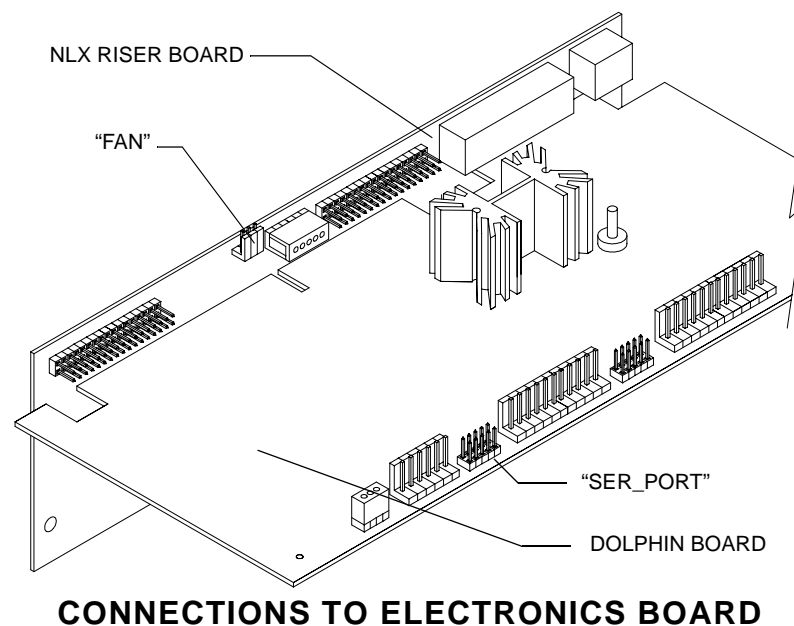
## Install Connector Bracket

1. Line up Serial Port Mounting Bracket with hole in interior wall. Install 8-32x3/8 screw and tighten.
2. Insert 1" screws all the way through DB9-RJ11 Adapter. Place spacers on exposed ends of screws.
3. Hold DB9 connector of Internal Serial Cable to Serial Port Mounting Bracket, oriented as in illustration at right.
4. Fasten DB9-RJ11 Adapter to Serial Cable with 1" screws through Mounting Bracket.



## Connect Cable to Electronics

1. Route two free connectors of internal Serial Cable through large hole in interior wall.
2. Connect Cable to Dolphin Board at "SER\_PORT" socket and to NLX Riser Board at "FAN" socket.



## Install Modem Cable

1. Determine distance to telephone jack. If needed, use RJ25 voice coupler and 25 ft. modem cable in addition to cable that was factory installed into the modem port.
2. If desired, plug Telephone Tee adapter into telephone wall jack and plug telephone line into one port.
3. Plug modem cable into telephone wall jack or remaining port in Tee adapter.
4. Route cable along floor, walls, posts, etc. safely out of way of pedestrian traffic.

## Prepare Top Cover/Mounting Bracket Assembly

1. Wrap LED data cable once around ferrite bead and close bead, as in illustration.
2. Plug power cable and data cable into respective ports in LED display.
3. Fasten LED display to LED Mounting Bracket with four Torx screws. Let cables hang free.
4. Route cables beneath Mounting Bracket. Use three tie wraps to fasten each cable to Mounting Bracket through holes in Bracket.
5. Remove backing and place adhesive side of adhesive footing on bottom of Mounting Bracket.
6. While facing rear of Top Cover Assembly, hold Mounting Bracket/LED/Cables assembly above Top Cover so LED display faces forward.
7. Pivot front of Mounting Bracket up and hook four rear tabs into top four vent holes on Top Cover. Route data cable between first and second tab. Route power cable between third and fourth tab.
8. Carefully pivot Mounting Bracket down until felt pads rest on top cover.
9. Slide clips through clip holes at front of Mounting Bracket. Slotted sides face up. Clips grab both Top Cover and Mounting Bracket.
10. Pry up slotted sides and push clips forward to clear posts on Mounting Bracket. Let clips close over posts. Avoid damaging rubber seal and tape on Top Cover Assembly when installing.
11. Secure clips over posts with nylon nuts.
12. Tighten four tamper-proof screws on rear of Mounting Bracket to fasten it tight to cabinet.

