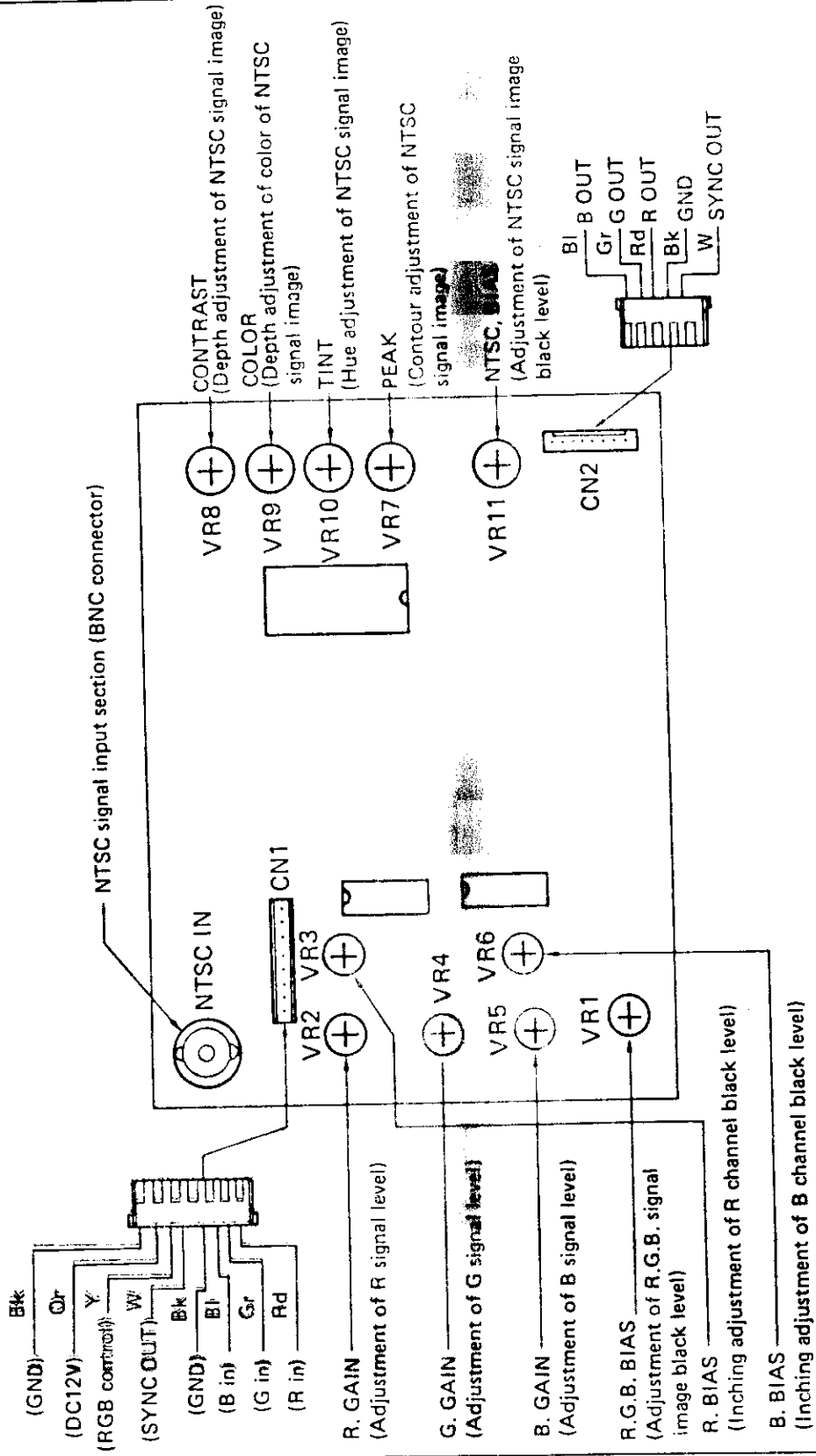
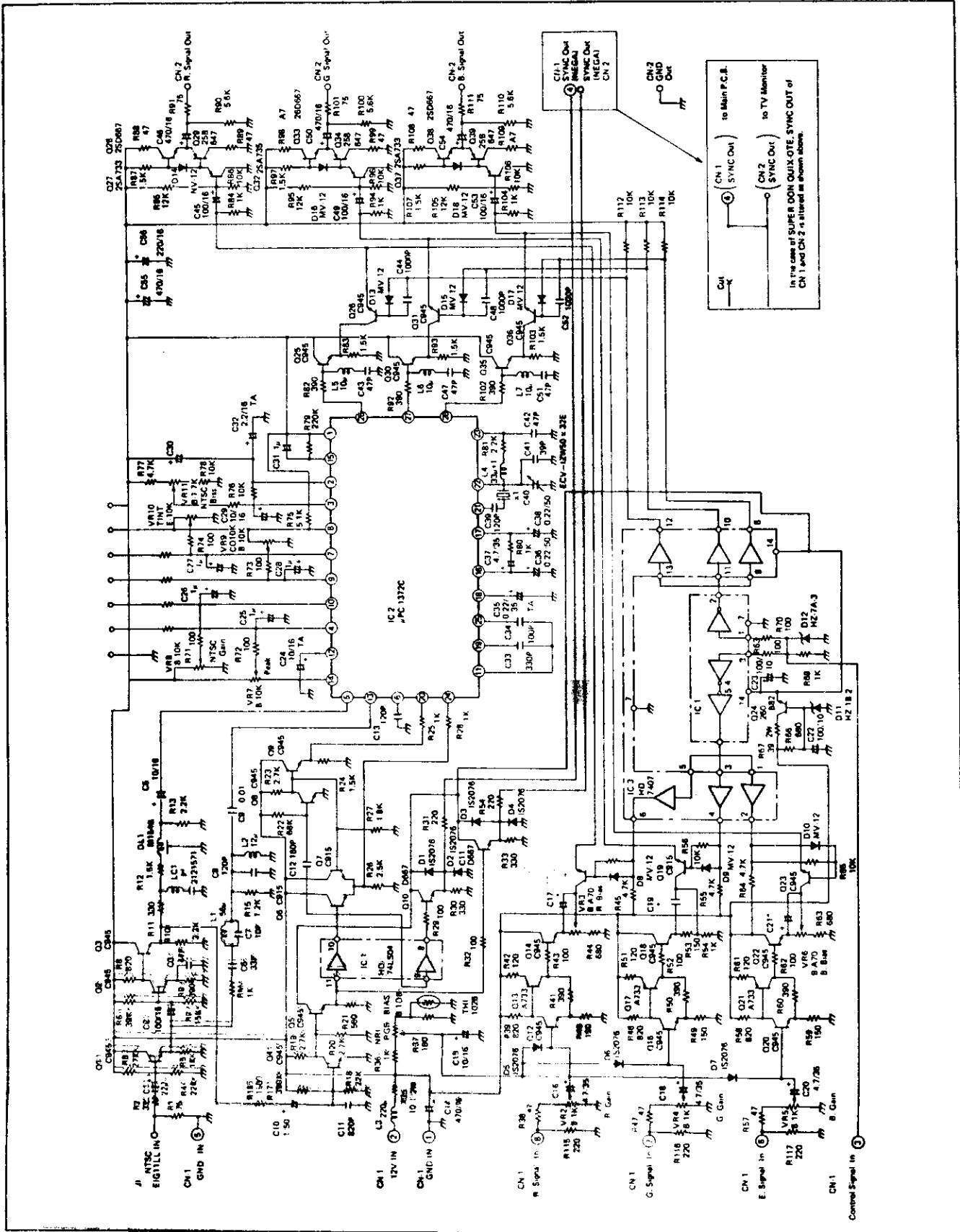


VIDEO REPEATER BOARD

Descriptions of Video Repeater Board

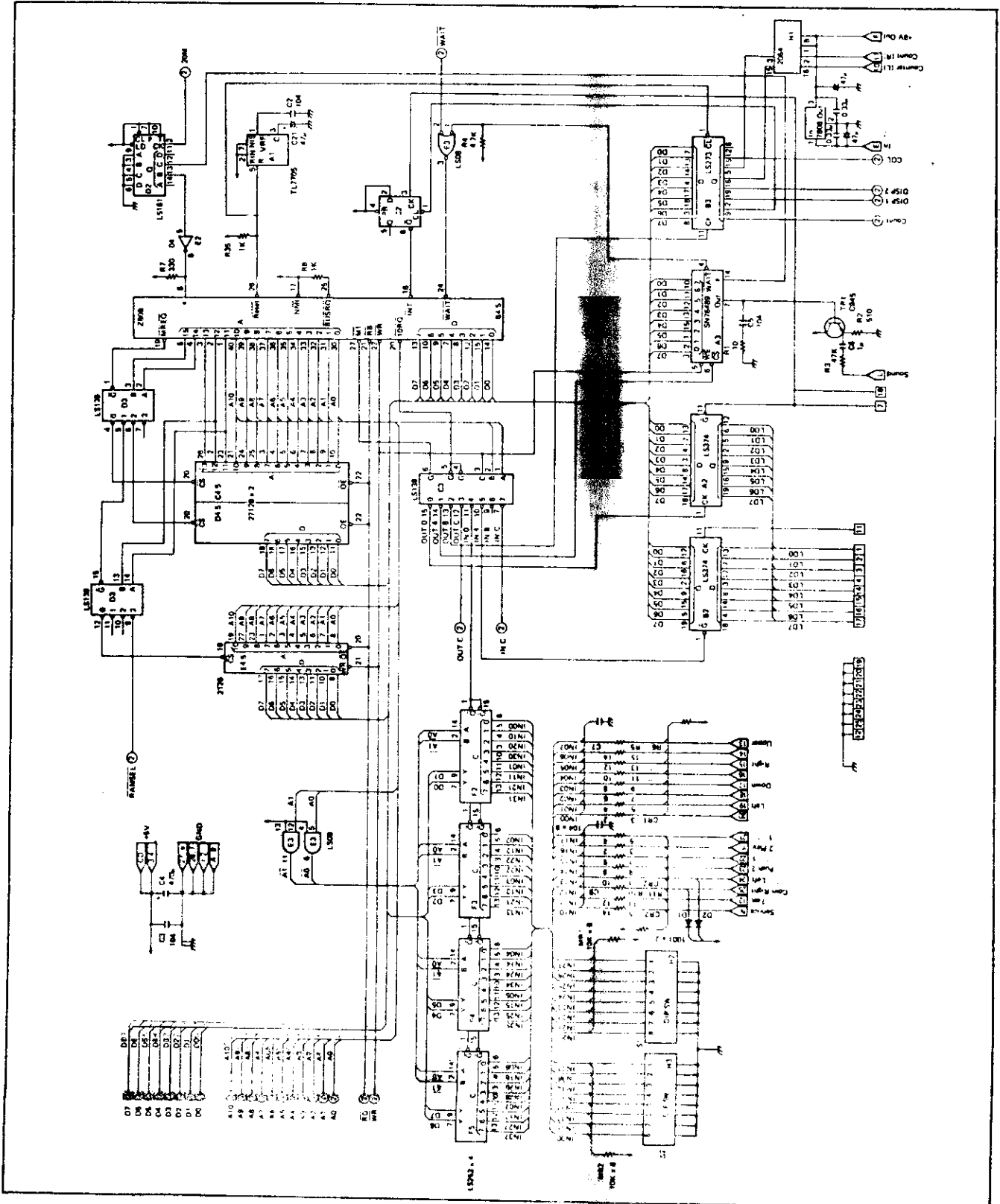


Video Interface PCB



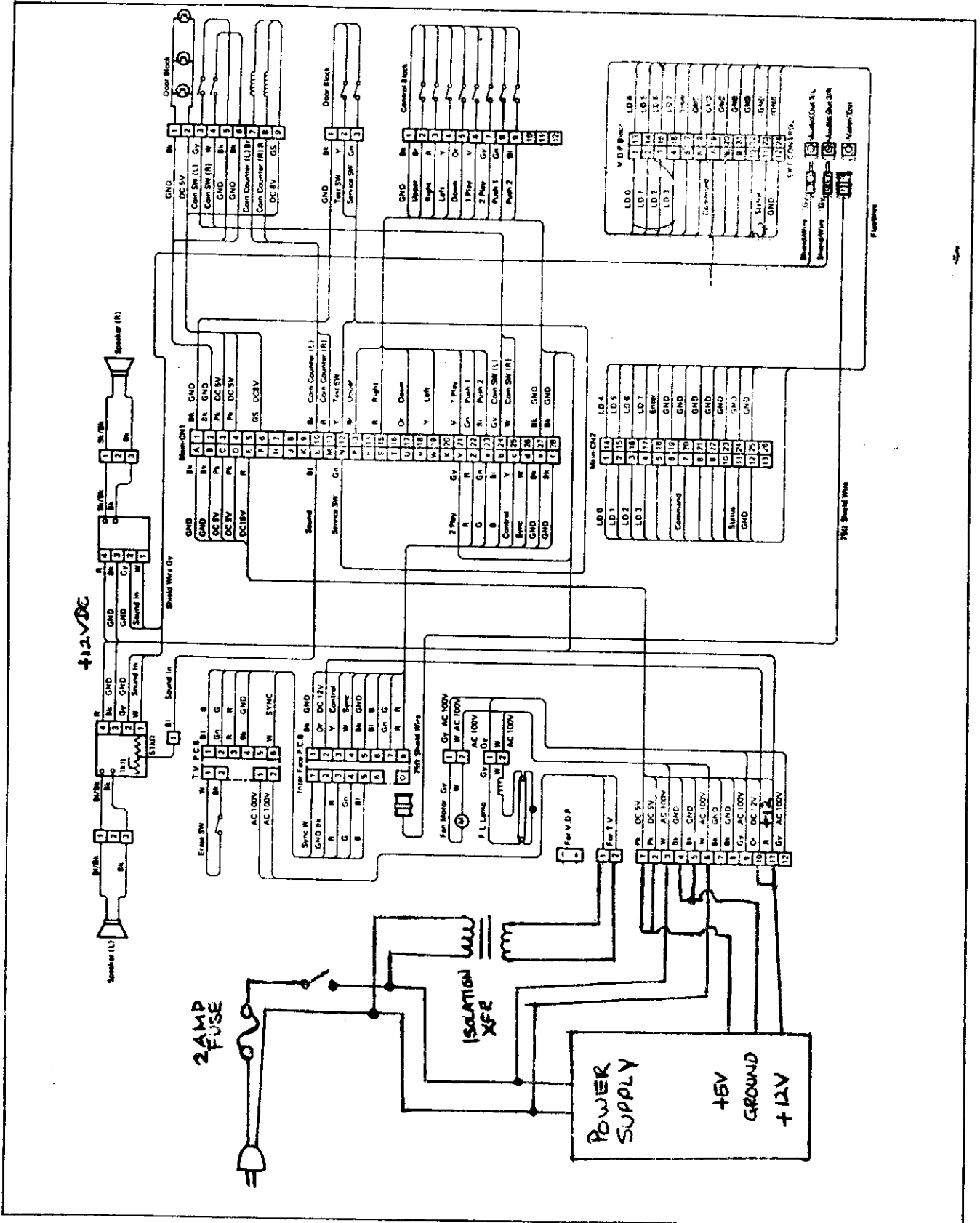
Video Interface PCB

1. Main PCB



Main PCB (1)

WIRING HARNESS



Wiring Harness

