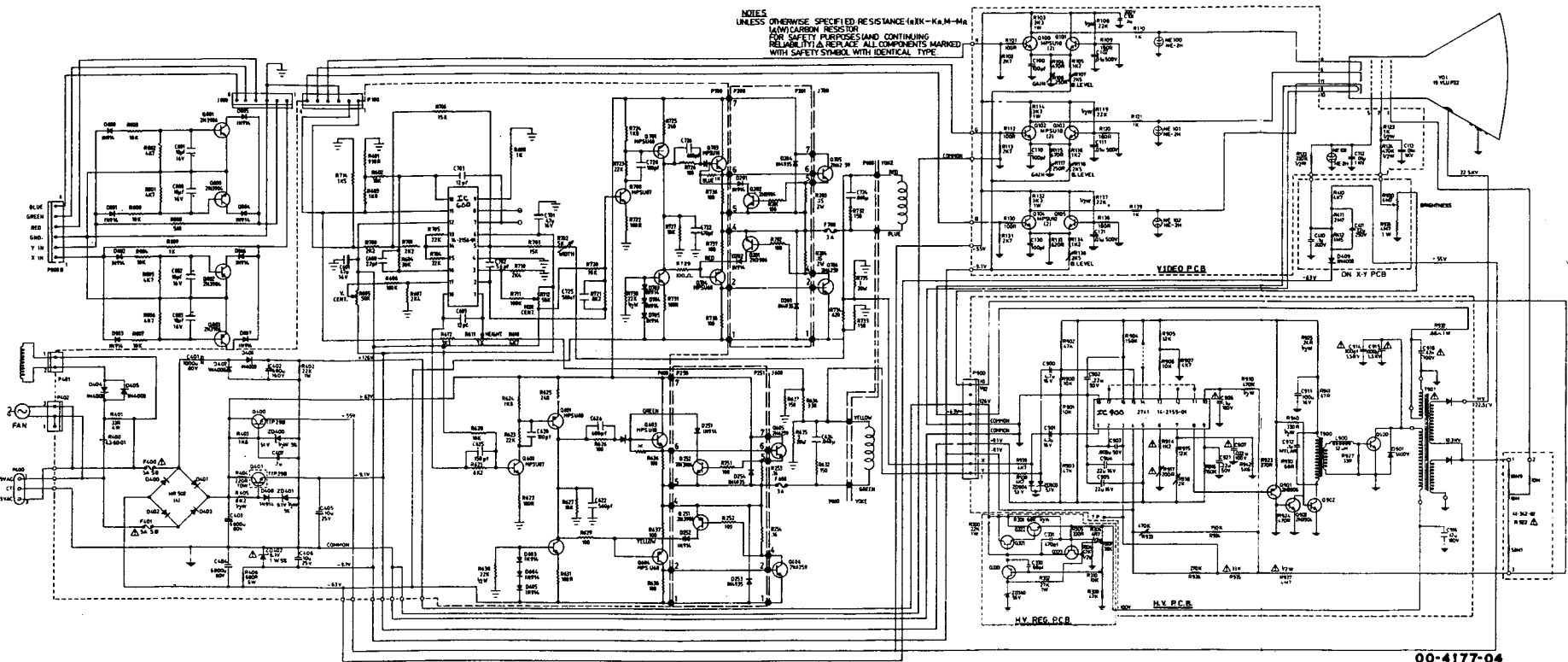
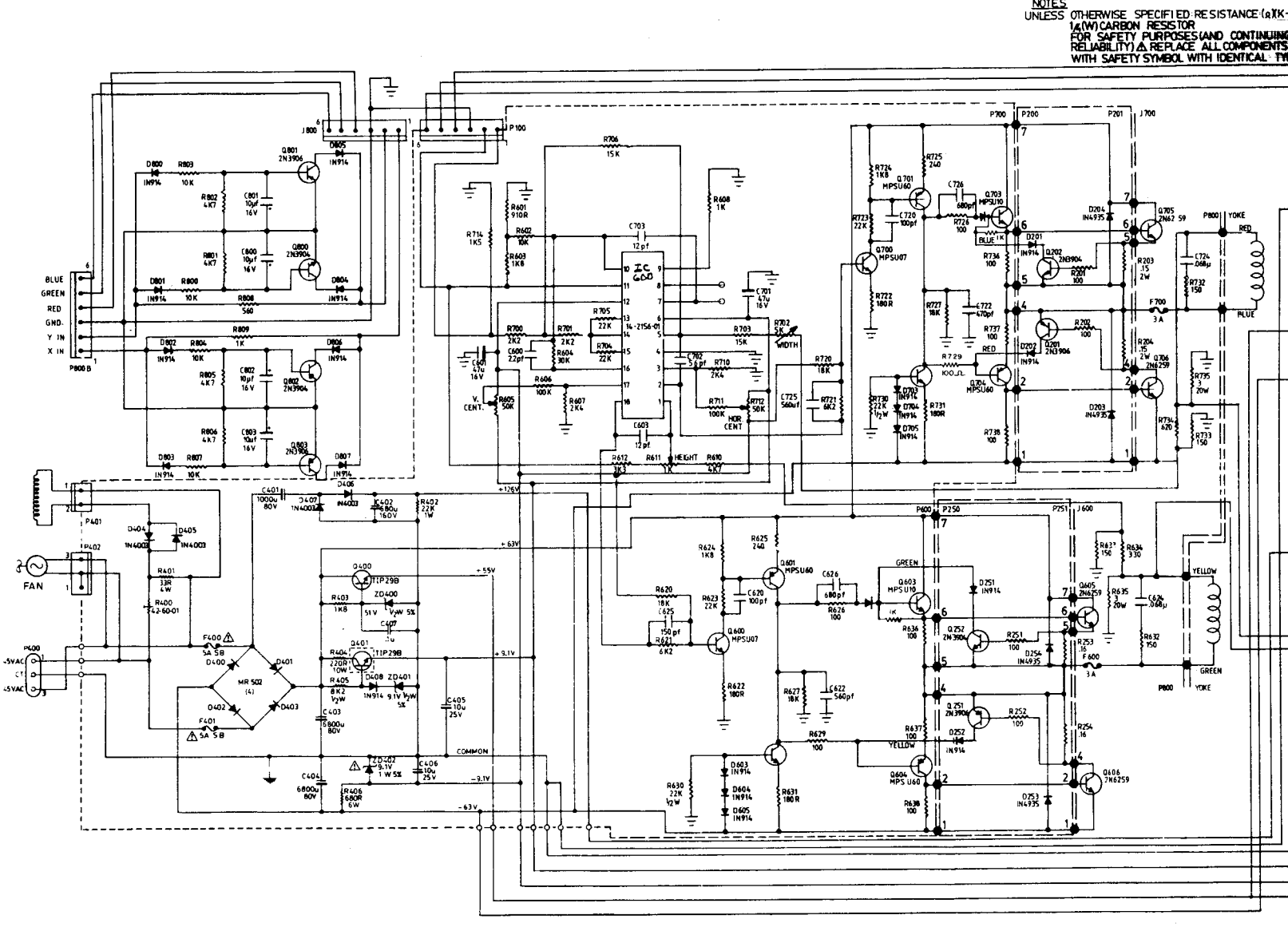


NOTES
 UNLESS OTHERWISE SPECIFIED RESISTANCE (K Ω -K Ω M-M Ω)
 MINICARBON RESISTOR
 FOR SAFETY PURPOSES AND CONTINUING
 RELIABILITY REPLACE ALL COMPONENTS MARKED
 WITH SAFETY SYMBOL WITH IDENTICAL TYPE



00-4177-04

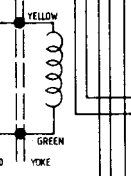
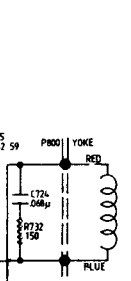
Model Number G08-003



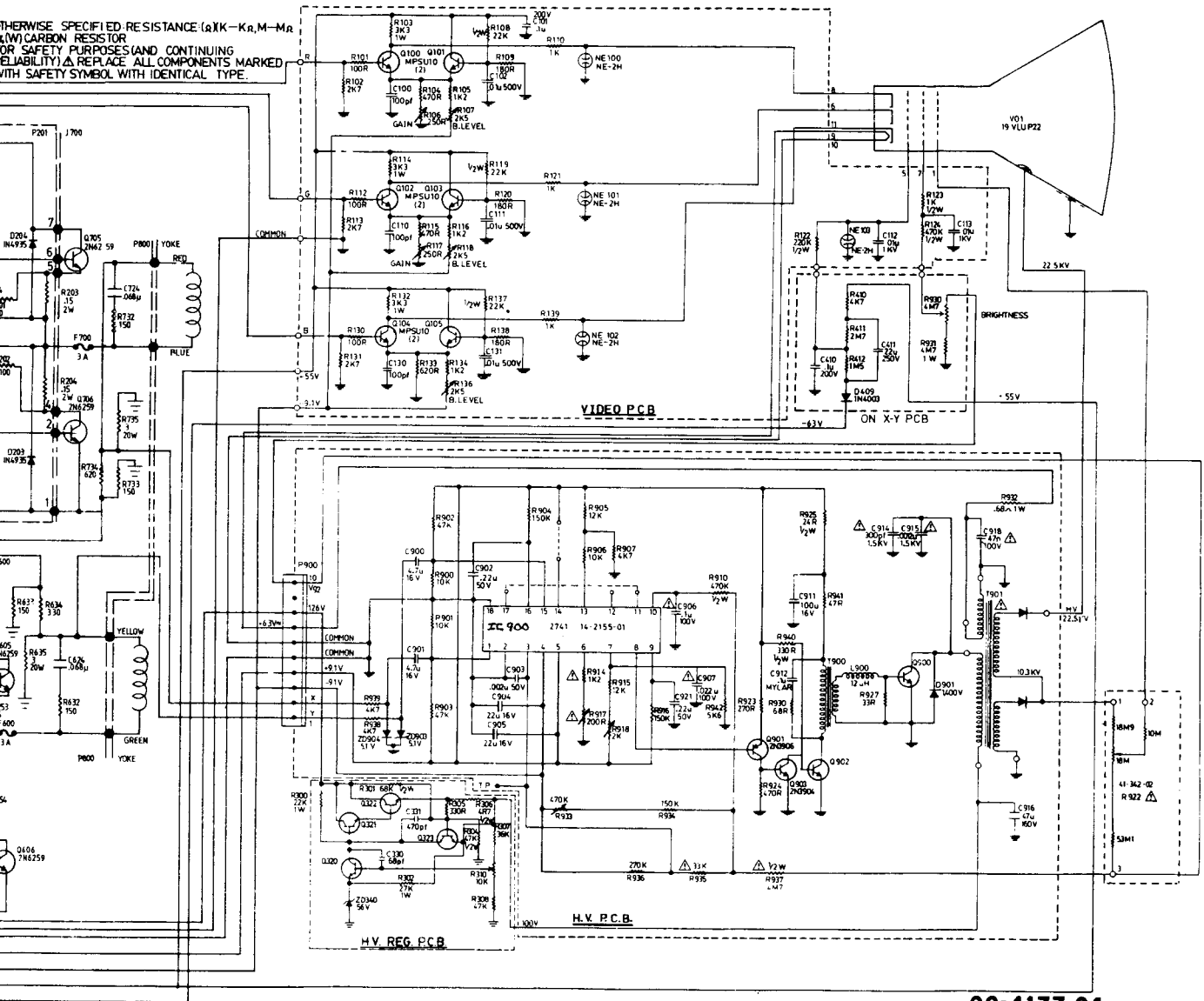
UNLESS OTHERWISE SPECIFIED RESISTANCE IS 1/4W CARBON RESISTOR FOR SAFETY PURPOSES (AND CONTINUING RELIABILITY) & REPLACE ALL COMPONENTS WITH SAFETY SYMBOL WITH IDENTICAL TYPE

BLUE
GREEN
RED
GND.
Y IN
X IN

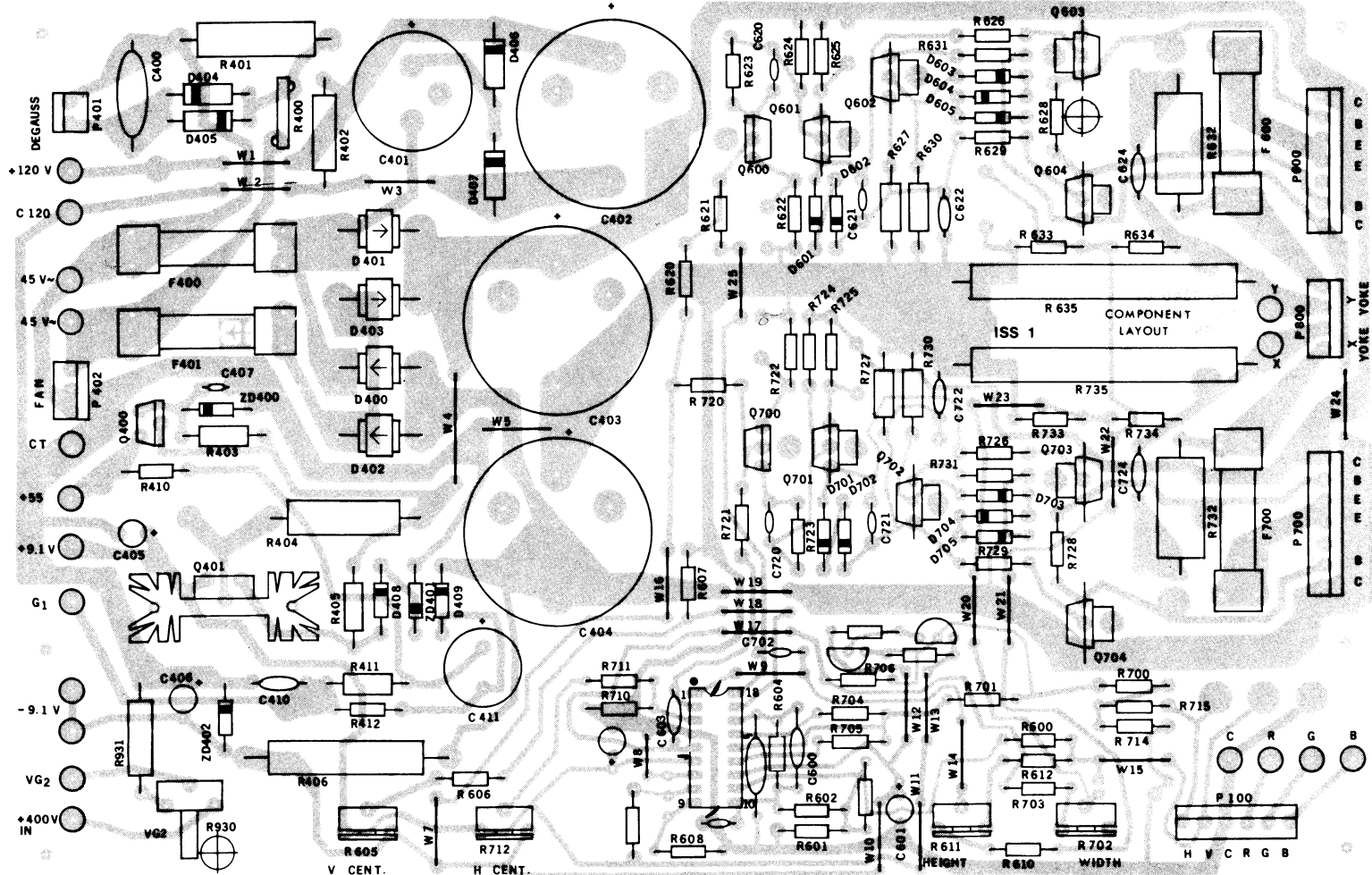
FAN
-SWAC
C.T.
-SWAC



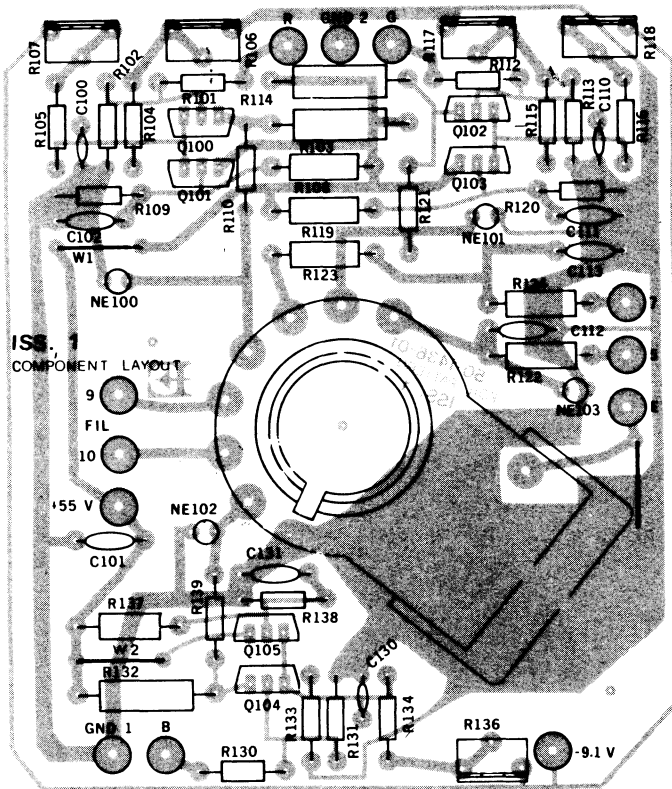
OTHERWISE SPECIFIED RESISTANCE (Q/K-KR,M-MR
(W) CARBON RESISTOR
OR SAFETY PURPOSES (AND CONTINUING
RELIABILITY) & REPLACE ALL COMPONENTS MARKED
WITH SAFETY SYMBOL WITH IDENTICAL TYPE.



X-Y P.C.B. COMPONENT LAYOUT



C.R.T. P.C.B. COMPONENT LAYOUT



EHT P.C.B. COMPONENT LAYOUT

