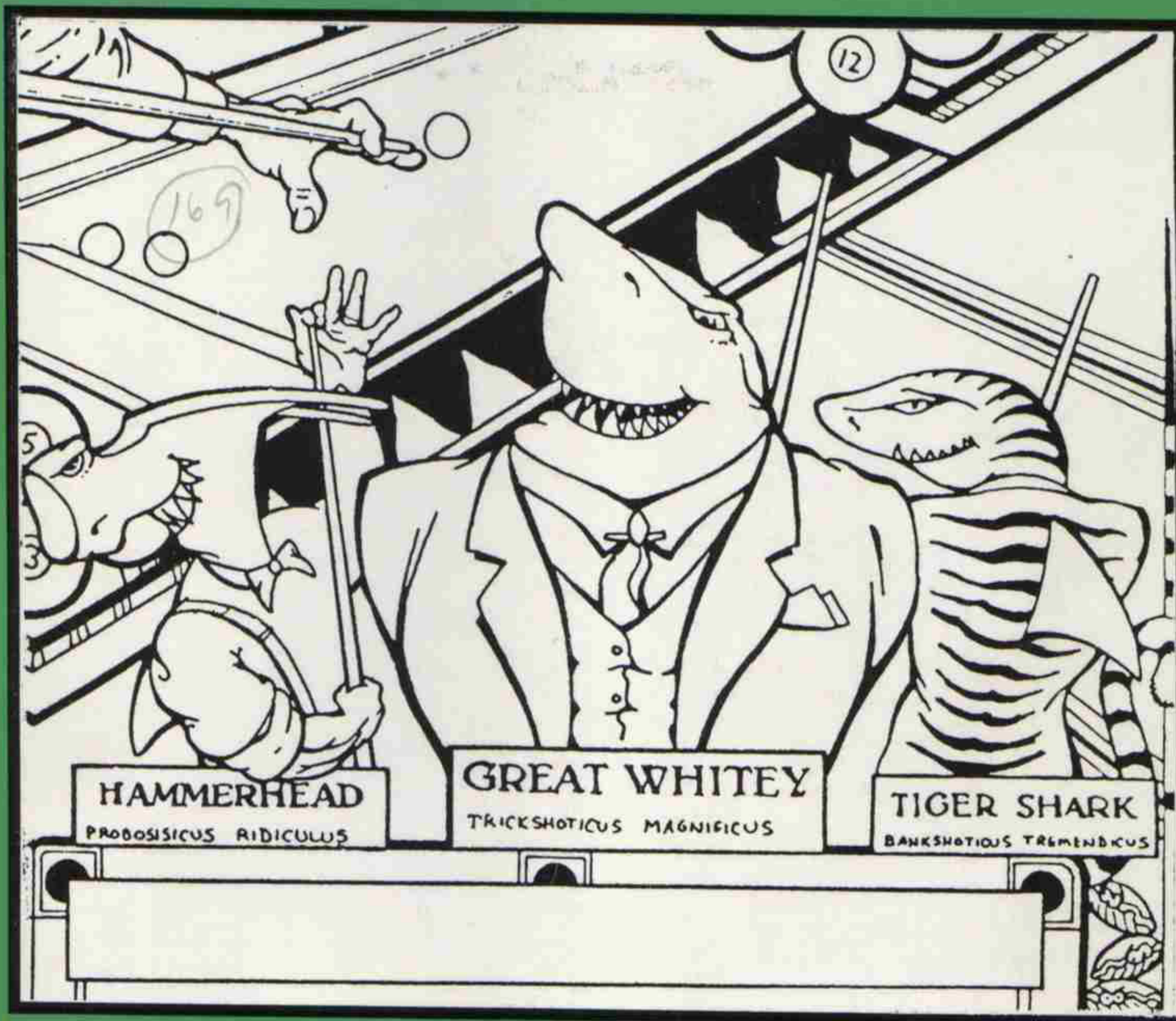


*Bally*

16-2014-101  
February 1990

# POOL SHARKS™



## OPERATIONS MANUAL

including  
Essential Information Concerning  
Game Operation & Adjustments,  
Game Testing & Problem Diagnostics,  
Parts Information, &  
Reference Diagrams

MIDWAY MANUFACTURING COMPANY



## POOL SHARKS Jumper Chart

GAME	P/N-U15 Game uP	P/N-U27 G. ROM 1	P/N-U26 G. ROM 2	P/N-U21 S. ROM 1	P/N-U22 S.ROM 2	P/N-U24 Sound uP	JUMPERS
Transporter	5400-09150-00	A-5343-2008-2	A-5343-2008-1	A-5343-2008-4	A-5343-2008-3	5400-09150-00	W1, 2, 4, 5, 7, 8, 11, 14, 16, 17, 19
Elvira	5400-09150-00	A-5343-2011-2	A-5343-2011-1	A-5343-2011-4	A-5343-2011-3	5400-09150-00	W1, 2, 4, 5, 7, 8, 11, 14, 16, 17, 19
Mousin' Around	5400-09150-00	A-5343-2009-2	A-5343-2009-1	A-5343-2009-4	A-5343-2009-3	5400-09150-00	W1, 2, 4, 5, 7, 8, 11, 14, 16, 17, 19
Game Show	5400-09150-00	A-5343-2003-2	A-5343-2003-1	Not Used	Not Used	Not Used	W1, 2, 4, 5, 7, 11, 14, 16,
Pool Sharks	5400-09150-00	A-5343-2014-2	A-5343-2014-1	Not Used	Not Used	Not Used	W1, 2, 4, 5, 7, 11, 14, 16,

## POOL SHARKS Solenoid Table

Sol. No.	Function	Solenoid Type	Wire Color	Connections		Driver Trnstr	Solenoid Part Number Flashlamp Type	
				CPU Bd	Playfield/ Cabinet		d= Display Bd; p=Playfield	
01A <sup>3</sup>	Outhole	Switched	{ Vio-Brn	1P11-1	5J1-9: 5J4-9 (A)	Q33	AE-23-800	
01C <sup>3</sup>	Captive Ball Flasher	Switched	{ Blk-Brn	(Gry-Brn)	5J5-9 (C)	Q33	#906 flashlamp	1p
02A <sup>3</sup>	Ball Shooter Lane Feeder	Switched	{ Vio-Red	1P11-3	5J1-7: 5J4-8 (A)	Q25	AE-23-800	
02C <sup>3</sup>	Shark Flasher	Switched	{ Blk-Red	(Gry-Red)	5J5-8 (C)	Q25	#89 flashlamp	1p
03A <sup>3</sup>	Left Drop Target	Switched	{ Vio-Orn	1P11-4	5J1-6: 5J4-7 (A)	Q32	AE-26-1200	
03C <sup>3</sup>	Right Drop Target Flasher	Switched	{ Blk-Orn	(Gry-Orn)	5J5-7 (C)	Q32	#89 flashlamp	1p
04A <sup>3</sup>	Right Drop Target	Switched	{ Vio-Yel	1P11-5	5J1-5: 5J4-6 (A)	Q24	AE-23-800	
04C <sup>3</sup>	Left Drop Target Flasher	Switched	{ Blk-Yel	(Gry-Yel)	5J5-5 (C)	Q24	#89 flashlamp	1p
05A <sup>3</sup>	Eject Hole	Switched	{ Vio-Grn	1P11-6	5J1-4: 5J4-5 (A)	Q31	AE-23-800	
05C <sup>3</sup>	Standups Flasher	Switched	{ Blk-Grn	(Gry-Grn)	5J5-4 (C)	Q31	#89 flashlamp	1p
06A <sup>3</sup>	Diverter	Switched	{ Vio-Blu	1P11-7	5J1-3: 5J4-4 (A)	Q23	AE-23-800	
06C <sup>3</sup>	Right Flipper Flasher	Switched	{ Blk-Blu	(Gry-Blu)	5J5-3 (C)	Q23	#89 flashlamp	1p
07A <sup>3</sup>	Knocker	Switched	{ Vio-Blk	1P11-8	5J1-2: 5J4-2 (A)	Q30	AE-23-800	
07C <sup>3</sup>	Left Flipper Flasher	Switched	{ Blk-Vio	(Gry-Vio)	5J5-2 (C)	Q30	#89 flashlamp	1p
08A <sup>3</sup>	Shark Eject Hole	Switched	{ Vio-Gry	1P11-9	5J1-1: 5J4-1 (A)	Q22	AE-23-800	
08C <sup>3</sup>	Marquee Flasher	Switched	{ Blk-Gry	(Gry-Blk)	5J5-1 (C)	Q22	#89 flashlamps	1b
09	Back Left Flasher	Controlled	Brn-Blk	1P12-1	5J2-9: 5J6-9: 2J4-3	Q17	#89 flashlamp	1p
10	Playfield Grn Illum Relay	Controlled	Brn-Red	1P12-2	5J2-8: 5J6-8: 2J4-5	Q9	5580-09555-01 <sup>4a</sup>	
11	Insert Illum Relay	Controlled	Brn-Orn	1P12-4	5J2-6: 5J6-7: 2J4-6	Q16	5580-09555-01 <sup>4a</sup>	
12	A/C Select Relay	Controlled	Brn-Yel	1P12-5	5J2-5	Q8	5580-09555-01 <sup>5</sup>	
13	Right Shark	Controlled	Brn-Grn	1P12-6	5J2-4: 5J6-5	Q15	SM2-35-4000	
14	Not Used	Controlled	Brn-Blu	1P12-7	5J2-4: 5J6-3	Q7		
15	Back Right Flasher	Controlled	Brn-Vio	1P12-8	5J2-2: 5J6-2	Q14	#89 flashlamp	
16	Backglass Tiger	Controlled	Brn-Gry	1P12-9	5J2-1: 5J6-1	Q6	#89 flashlamp	
17	Left Jet Bumper	Special #1	Blu-Brn	1P19-7	5J3-7: 5J7-7	Q75	AE-23-800	
18	Left Kicker (sling)	Special #2	Blu-Red	1P19-4	5J3-6: 5J7-6	Q71	AE-26-1500	
19	Right Jet Bumper	Special #3	Blu-Orn	1P19-3	5J3-3: 5J7-3	Q73	AE-23-800	
20	Right Kicker (sling)	Special #4	Blu-Yel	1P19-6	5J3-4: 5J7-5	Q69	AE-26-1500	
21	Center Jet Bumper	Special #5	Blu-Grn	1P19-8	5J3-2: 5J7-2	Q77	AE-23-800	
22	Not Used	Special #6	Blu-Blk	1P19-9	5J3-1: 5J7-1	Q79		
-	<u>Right Flipper</u>	-	Orn-Vio (Blu-Vio) <sup>2</sup>	1P19-1	2J5-5: 2J10-7 (2J10-1: 2J8-15)	-	FL11630/50VDC	
-	<u>Left Flipper</u>	-	Orn-Gry (Blu-Gry) <sup>2</sup>	1P19-2	2J5-4: 2J10-8 (2J10-2: 2J8-4)	-	FL11630/50VDC	

**Notes** 1. Wire colors, except flipper Orn-Vio and Orn-Gry, are ground connections (to coil terminal with unbanded end of diode). Flipper Orn-Vio and Orn-Gry wires connect from CPU Board to flipper switch. 2. Flipper connections shown in braces are from flipper switch to flipper coil. 3. "A" circuits are pulsed, when Sol. 12 is de-energized; "C" circuits are pulsed, with Sol. 12 energized. Wire colors in brackets are those from respective A and C terminals corresponding to the J1-terminal connection listed for the Aux Power Driver Bd, which controls the device pulsing by Sol. 12. 4. Relay is mounted on Relay Bd, (4a) p/n C-11998-1; (4b) C-11902-1. 5. Relay is mounted on Aux Power Driver Bd, D-12247 in the backbox.

## **CHANGING A GAME**

1. DROP IN COINS.
2. PRESS START BUTTON.
3. USE FLIPPERS TO MOVE BETWEEN 8 BALL AND 9 BALL PLAY.
4. WHEN THE DESIRED GAME HAS BEEN CHOSEN, SHOOT THE BALL TO LOCK IN THAT GAME AND BEGIN PLAY.

## **POOL SHARKS HOUSE RULES**

### **8 BALL PLAY**

MAKING 1-7 THEN 9-15 THEN 8 BALL SHOT BRINGS ON THE TRICK SHOT FOR POSSIBLE 3 MILLION SHOT! THIS ALSO SPOTS A RACK.

MAKING C-U-E TOP LANES ADVANCES BONUS VALUE AND LIGHTS TOP EJECT FOR EXTRA BALL LANES. EXTRA BALL IS MADE BY ALTERNATING BOTTOM LANES.

MAKING C-U-E, THREE CHALK TARGETS AND COMPLETING A RACK BRING ON HOT SHOT ALLEY FOR THE JACKPOT!

DROP TARGET BANKS ADVANCE CUE STICK VALUE; 30K-1 MILLION.

### **9 BALL PLAY**

MAKING 1-7 IN ORDER, THEN 8 BALL, THEN 9 BALL, BRINGS ON THE TRICK SHOT FOR A POSSIBLE 3 MILLION SHOT! THIS ALSO SPOTS A RACK.

MAKING C-U-E- TOP LANES ADVANCES BONUS VALUE AND LIGHTS TOP EJECT FOR POSSIBLE EXTRA BALL LANES. EXTRA BALL IS MADE BY ALTERNATING BOTTOM LANES.

MAKING C-U-E LANES, THREE CHALK TARGETS AND, A RACK, BRINGS ON HOT SHOT ALLEY FOR JACKPOT!

DROP TARGET BANKS ADVANCE CUE STICK VALUE; 30K-1 MILLION.

## **RESETTING THE HIGH SCORES**

**POOL SHARKS** KEEPS A SEPERATE RECORD FOR HIGH SCORE FOR 8 BALL AND 9 BALL PLAY. HOWEVER, WHEN YOU RESET THE HIGH SCORES, YOU RESET 8 BALL AND 9 BALL SCORES AT THE SAME TIME.

# TABLE OF CONTENTS

## SECTION 1

## Game Operation & Test Information

POOL SHARKS ROM Summary.....	1-1
Connector Identification.....	1-2
Circuit Boards.....	1-2
Fig. 1 Locations Diagram - Game Circuit Boards and Major Mechanisms..	1-3
Game Control Locations, Fig. 2.....	1-4
Pinball Game Assembly Instructions Fig. 3.....	1-5
Game Operation.....	1-7
Game Status Displays.....	1-9
Audit Table.....	1-11
Game Adjustment Table.....	1-12
Game Adjustment Comparison Table.....	1-13
Game Adjustment Procedure.....	1-14
Preset Game Adjustments Table for German/European Games.....	1-26
Preset Game Adjustments Table for U.S./Canadian Games.....	1-27
Resetting the High Scores.....	1-30
Game Pricing .....	1-31
Pricing Table.....	1-31
Test/Diagnostic Information.....	1-34
Music Test.....	1-34
Display Test.....	1-35
Lamp Tests.....	1-35
Lamp Matrix Table.....	1-36
Solenoid Test.....	1-36
Solenoid Table.....	1-37
Special & Controlled Solenoids - Diagrams & Details.....	1-38
Typical Solenoid A/C Select Relay Circuit, Fig. 4.....	1-38
Switch Tests.....	1-39
Switch Matrix Table.....	1-39
C-Side Test.....	1-41
Ending the Diagnostic Tests.....	1-41
Auto Burn-In Mode.....	1-41
System 11-C Memory Chip Test.....	1-42
CPU LED Indicator Table.....	1-42
System 11-C Sound Circuitry Tests.....	1-43
Problem Analysis Messages.....	1-44
Maintenance Information, Fig. 5.....	1-45
Fuse Locations Diagram & Listings.....	1-47



**SECTION 2****Game Parts Information**

Cabinet Parts.....	2-2
Major Mechs. & Circuit Boards.....	2-3
System 11C CPU Board Parts Layout & Listing.....	2-4
Power Supply Parts Layout & Listing.....	2-6
Audio Board Parts Layout & Listing.....	2-7
Aux Power Driver Board Parts Layout & Listing.....	2-8
Backbox Interconnect Board Parts Layout & Listing.....	2-9
Left Display Board Parts Layout & Listing.....	2-10
Right Display Board Parts Layout & Listing.....	2-11
Flipper Assemblies.....	2-12
Jet Bumper & Knocker.....	2-13
Kicker (Slingshot) Assemblies.....	2-14
Ball Trough Switches & Stand-up Target.....	2-15
Outhole Kicker & Ball Shooter Lane Feeder.....	2-16
Eject Hole, Ball Shooter & Pool Lamp.....	2-17
Diverter & Shark Assembly.....	2-18
Playfield Posts.....	2-19
Coin Door.....	2-20
Coin Door Parts.....	2-21
3-Bank Drop Target.....	2-22
3-Bank Drop Target Opto Board.....	2-23
4-Bank Drop Target.....	2-24
4-Bank Drop Target Opto Board.....	2-25
Lamp Matrix & Locations.....	2-26
Switch Matrix & Locations.....	2-28
Solenoid Table & Locations.....	2-30
Playfield Parts Locations.....	2-32
Relay Board & Ramps.....	2-34
Lamp Boards.....	2-35
Backbox, Miscellaneous &, Cable Lists.....	2-36
Unique Parts Lists.....	2-37
Display Glass Pinout.....	2-38

**SECTION 3****Reference Diagram & Schematics**

Cabinet Wiring Diagram.....	3-2
4-Bank Drop Target Opto Board & Schematic.....	3-3
3-Bank Drop Target Opto Board & Schematic.....	3-4
Power Supply Board & Schematic.....	3-5
System 11C CPU Layout.....	3-6
System 11C CPU Schematic.....	3-7
Bally Right Display Board Layout .....	3-11
Bally Right Display Board Schematic.....	3-12
Bally Left Display Board Layout.....	3-13
Bally Left Display Board Schematic.....	3-14
Backbox Interconnect, Audio & Aux Power Driver Boards Layout .....	3-15
Backbox Interconnect Board Schematic.....	3-16
Audio Board Schematic.....	3-17
Aux. Power Driver Board Schematic.....	3-18
Controlled, Switched, & Special Solenoids.....	3-19
Power Wiring Diagram.....	3-20
Interboards Signals.....	3-21
Diagnostic Test Flowchart.....	3-23

S  
E  
C  
T  
I  
O  
N

1

***Game Operation***  
*and*  
***Test Information***

---

**POOL SHARKS ROM SUMMARY**

IC	DESCRIPTION	TYPE	IDENTIFIER	BOARD	PART NUMBER
Game ROM 1	32K x 8 ROM	27256	U27	CPU	A-5343-2014-2
Game ROM 2	32K x 8 ROM	27256	U26	CPU	A-5343-2014-1
Music/Speech ROM	64K x 8 ROM	27512	U4	AUDIO	A-5343-2014-3
Music/Speech ROM	64K x 8 ROM	27512	U19	AUDIO	A-5343-2014-4
Music/Speech ROM	64K x 8 ROM	27512	U20	AUDIO	A-5343-2014-5



# Connector Identification

Since *POOL SHARKS* is using WILLIAMS ELECTRONICS GAMES System 11C, a new connector identification technique must be introduced. Each plug or jack receives a prefix number (which identifies the circuit board), followed by a letter ("J" or "P"), and a number. J-designations refer to the male part of a connector. P-designations refer to the female part of a connector. For example, 1J1 designates jack 1 of board 3 (a CPU Board jack); 3P6 designates plug 6 of board 3 (a Power Supply Board plug). Identifying the specific pin number of a connector involves a hyphen, which separates the pin number from the plug or jack designation. For example, 1J1-3 refers to pin 3 of jack 1 on board 1.

Other game components may also have similar prefixes preceding their designator to clarify their locations or related circuit.

Prefix numbers for the System 11C circuit boards and other major assemblies are listed below. A prefix number may precede a component designator to identify its associated unit (e.g., connector 1J1).

1 - CPU	6 - Backbox
2 - Master Interconnect	7 - Cabinet
3 - Backbox Power Supply	8 - Playfield
4 - Alphanumeric Display	9 - Insert Board
5 - Aux Power Driver	10 - Sound Board

---

---

## Circuit Boards

System 11C Circuit Boards for *POOL SHARKS* are in the backbox. They are accessible by unlocking the Backbox lock, removing the Backbox glass, unlatching the Insert Board (with lamps and the Digital Display Boards), and swinging it open.

Lamp circuit boards are mounted on the Playfield and the Insert Board.

### CPU BOARD

The System 11C CPU Board (p/n D-11883-2014) must be equipped with the ROMs specified in the *POOL SHARKS* ROM Summary. CPU Board jumpers W1, W2, W4, W5, W7, W11, W14, W16, and must be connected.

### SOUND BOARD

The Sound Board is p/n D-11581-2014, including ROMs and micro-processor.

### DISPLAY BOARD

*POOL SHARKS* has two Display Boards. The BALLY Right Display Board is p/n D-12502-1, and the BALLY Left Display Board is p/n D-12706.

**POWER SUPPLY BOARD**

The Power Supply Board is p/n D-12246.

**AUX POWER DRIVER BOARD**

The Aux Power Driver Board is D-12247.

**MASTER INTERCONNECT BOARD**

The Master Interconnect Board is D-12313-2014.

**CIRCUIT BOARD & MAJOR MECHANISMS LOCATION DIAGRAM**

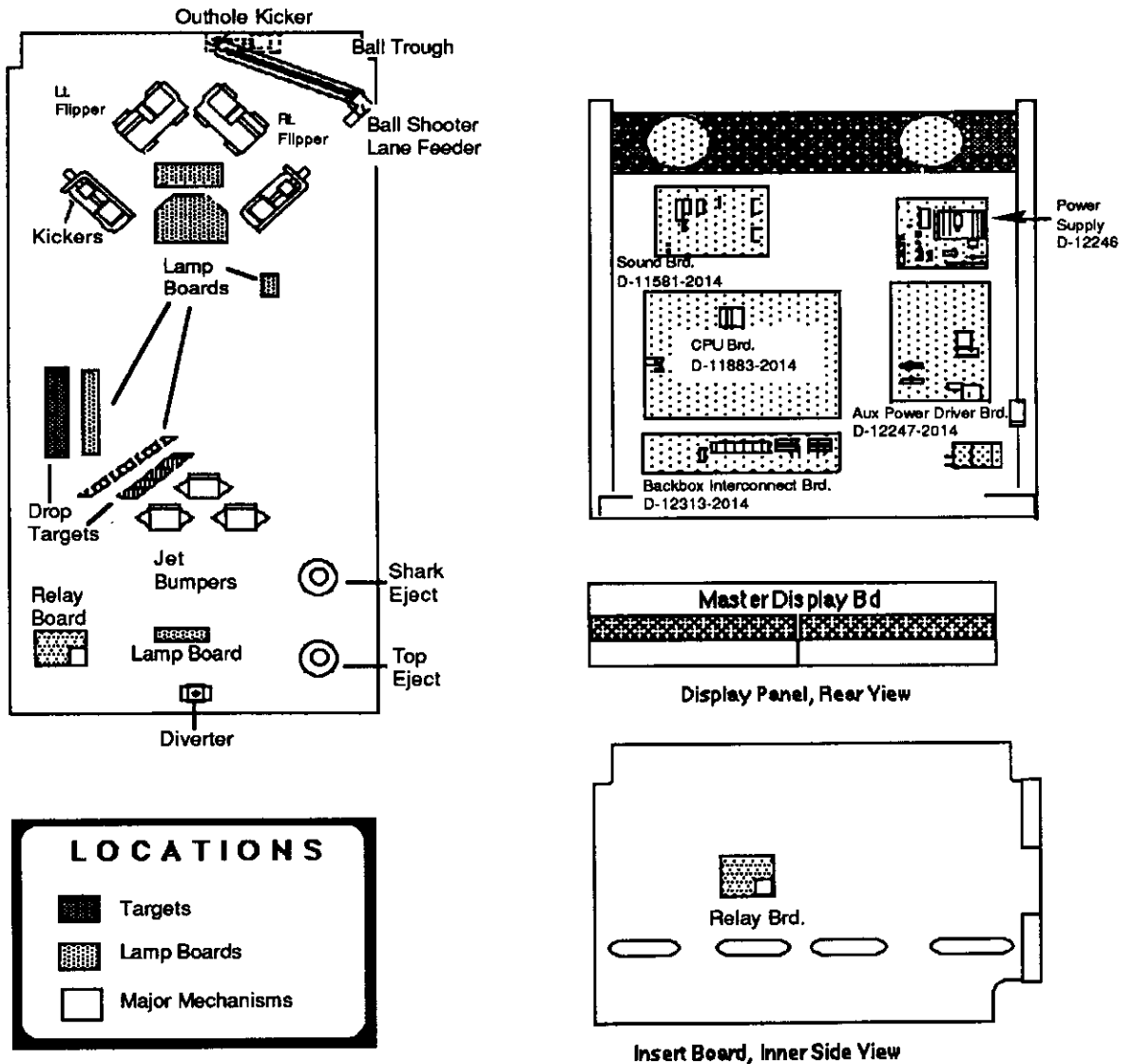


Figure 1. Locations Diagram - Game Circuit Boards and Major Mechanisms.



# Game Control Locations

Figure 2 shows the locations of the following switches, except for the CPU Diagnostic switch, which is shown in the Circuit Board Locations Diagram.

**THE ON-OFF SWITCH** is on the bottom of the cabinet near the right front leg.

**THE VOLUME CONTROL** is on the left inner wall of the cabinet on the tilt mechanism board. It is accessible by opening the coin box door.

**THE START BUTTON** is a pushbutton to the left of the coin door on the cabinet exterior.

**GAME ADJUSTMENT/DIAGNOSTIC SWITCHES.** *POOL SHARKS* allows the operator to control all game adjustments, obtain bookkeeping information, and diagnose problems, using only three switches mounted on the inside of the coin door, along with the Start button beside the coin door.

**ADVANCE, AUTO-UP/MANUAL-DOWN, and HIGH-SCORE RESET** are the switches located on the inside of the coin door. Refer to the text discussing Game Status Displays and the Test/Diagnostic Procedures for details concerning button operation.

**THE MEMORY PROTECT SWITCH** is on the inside frame of the coin door. This interlock switch must be open to clear bookkeeping totals and to make game adjustments. It automatically opens, when the coin door opens.

On the previous page, the Circuit Board Locations Diagram shows the locations of the CPU Board switch (left edge of CPU Board, Backbox View).

**THE CPU DIAGNOSTIC SWITCH (SW 2)** is mounted on the left edge of the CPU Board near a large, socketed microprocessor chip. This switch initiates the Memory Chip Test explained in the Test/Diagnostic Procedures.

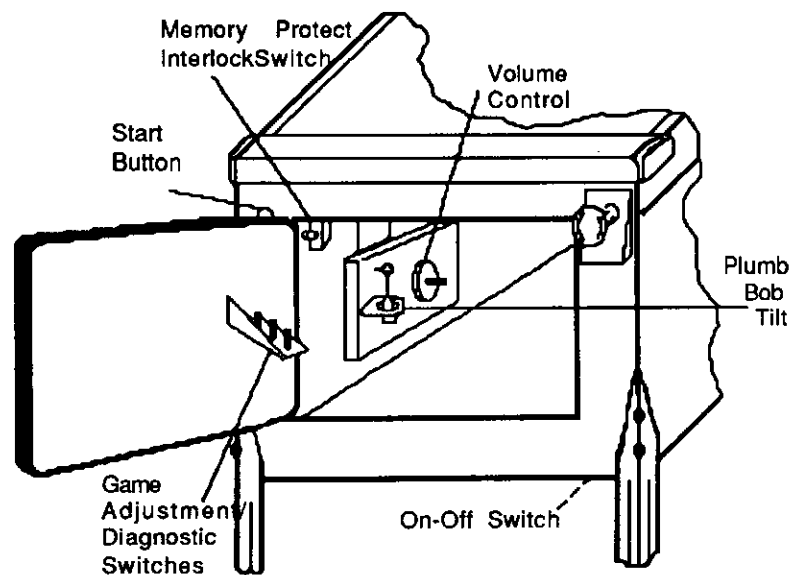


Figure 2. Control Locations

# Pinball Game Assembly Instructions

## INSTALLATION PROCEDURE

1. Open the shipping container; remove all cartons, parts, and other items, and set them aside.
2. Leg levelers and bolts are provided in the cashbox. Place cabinet on a support and attach rear legs (after installing leg levellers), using leg bolts.
3. Attach the front legs (after installing leg levellers), using leg bolts. See Figure 3 for details.

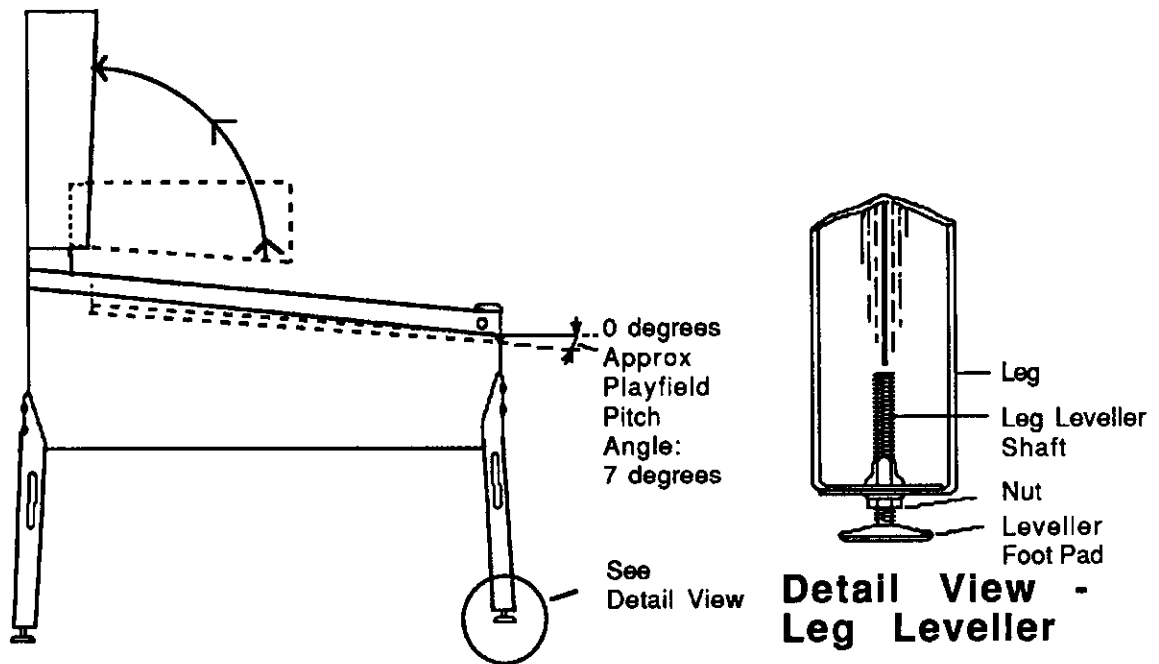


Figure 3. Pinball Assembly, Playfield Pitch Angle, and Leg Leveler Details.

## CAUTION

Ensure that the interconnecting cables are free to move (not kinked or pinched). Be careful not to damage wires at any stage of the assembly process.



4. Raise the hinged backbox upright and stabilize it into position. Unlock the backbox, and remove the backbox glass, storing it carefully to avoid scratches. Remove the shipping block holding the Insert Board. This allows access to the bolt holes used for securing the backbox upright. Install the mounting bolts, split lockwashers, and flat washers through the bottom holes of the backbox into the threaded fasteners in the cabinet to secure the backbox. Close and latch the Insert Board, and install the backbox glass, and lock the backbox.

### WARNING

**NEVER** transport a pinball game with hinged backbox erect. Always lower the backbox forward onto the playfield cabinet on a layer of protective material to prevent marring or damage and possible personal injury.

5. Extend each leg leveller slightly below the leg bottom, so that all four foot pads are extended about the same distance. Remove the cabinet from its support and place it on the floor.
6. Adjust the leg levellers for proper playfield level (side-to-side) and playfield pitch angle (incline) of approximately 7 degrees. (Again, it is recommended that these measurements be made ON the playfield, not the cabinet nor the playfield cover glass.) Tighten the nut on each leg leveller shaft to maintain this setting, as shown in Figure 3.

---

## CAUTION

Playing pitch angle adjustments can affect the operation of the plumb bob tilt, inside the cabinet. The plumb bob weight is among the parts in the cash box; the operator should install the weight and adjust the tilt mechanism for proper operation, after completion of the desired playfield pitch angle setting.

7. Move the game into the desired location; recheck the level and pitch angle of the playfield.
  8. Verify that the required number of balls are inside the game. *POOL SHARKS* uses one ball. The second ball is a spare.
  9. Remove the foam packing from the captive ball target.
  10. Clean and re-install the playfield cover glass. Prepare the game for player operation.
- 
-

# Game Operation

## WARNING

After assembly and installation at its site location, this game must be plugged into a properly grounded outlet to prevent shock hazard, and to assure proper game operation. DO NOT use a 'cheater' plug to defeat the ground pin on the line cord. DO NOT cut off the ground pin.

## POWERING UP

With the coin door closed, plug the game in, and switch it ON, using the On-Off switch. In normal operation, the player 1 score display initially shows 00. Then, the game goes into the Attract Mode (playfield and backbox lamps flashing, sounds being heard, etc., if the operator does not change the Factory Setting).

Open the coin door and press the AUTO-UP/MANUAL-DOWN switch to MANUAL-DOWN. Press the ADVANCE button to begin the game test routine. Return to AUTO-UP and perform the entire test to verify that the game is operating satisfactorily.

## NOTE

The SYSTEM 11C game program has a great capability to aid the operator and service personnel: At game Turn-On (and also at the beginning of the Test/Diagnostic Procedures), the player score displays now signal with a message, "Press ADVANCE for Report", that the game program has detected a possible problem with the game. Usually, this report indicates that at least one switch has NOT been actuated during ball play for 90 balls (apx. 30 games). However, the game program compensates the game play requirements affected by each disabled switch to allow 'nearly normal' play. This helps keep *POOL SHARKS* earning good profits! More information is available in the Test/Diagnostic Procedures text describing the Switch Testing.

## ATTRACT MODE\*

Playfield and backbox lamps blink. The player score displays exhibit a series of messages informing the player concerning:

- A. Recent highest scores\*;
- B. A "custom message";  
("BE A SHARP SHOOTER, PLAY POOL SHARKS.")\*;
- C. The score to achieve to obtain a  
Replay award\*;

These (or similar) displays reappear occasionally, accompanied by sounds and music, until a player initiates game play by inserting a coin or, when credits are available, pressing the Start button.

# Game Status Displays

## INTRODUCTION

*POOL SHARKS* provides the game owner/operator with a display of information concerning the game's bookkeeping and game play feature adjustments. Basically, three classes of information now become available in this status display mode:

- Id (Identification);
- Au (Audit);
- Ad (Adjustment).

Each of the two-letter abbreviations for these classes appears in the score display, while the system microprocessor for the *POOL SHARKS* game is displaying the items within each class.

## IDENTIFICATION INFORMATION--Id

With the game turned on, the coin door open, and the AUTO-UP/MANUAL-DOWN switch in the AUTO-UP position, the operator can press the ADVANCE switch once, briefly. Player displays immediately change from the Attract Mode to the Game Status Display Mode. This is evident by the following display, shown in columnar form. The column headings refer to the various backbox displays.

Player 1	Player 2	Player 3	Player 4
POOL	SHARKS	2014 LA-x*	ID00

\* x - indicates ROM revision level; e.g., 1 is initial issue; 2, 3, etc. for later revisions; A indicates American.

The game is named in the Player 1 and 2 score display. The ROM revision level appears in the Player 3 score display. The Player 4 score display shows the status display mode in abbreviated form, Id. The Player 4 score display also shows the status display mode item (00) for this particular display. Pressing advance (to Id 01) once more shows the Game Revision information.

Player 1	Player 2	Player 3	Player 4
DOMESTIC	LEVEL 1	2-9-90	ID01

The country is named in the Player 1 score display. The Production Level appears in the Player 2 score display. The game's release date appears in the Player 3 score display and the status display mode information is shown in the Player 4 display.

Pressing ADVANCE once more causes the Id 02 display to appear. This display describes which of the "Install" options is currently in effect. For example, if the YES option of the INSTALL FACTORY Adjustment Item (Ad 70) was last selected, FACTORY SETTING appears on the player score displays. Changing the setting of any other game adjustment item, after selecting the YES option for Ad 70 causes the display to change to FACTORY ALTERED. Similarly, if the operator selects the YES option for INSTALL HARD (Ad 65), the display indicates HARD SETTING. Changing a game adjustment item later then causes the display to show HARD ALTERED.

## **AUDIT INFORMATION - Au**

While the AUTO-UP switch remains in the Up position, the operator can press the ADVANCE switch once, briefly, to begin the backbox displays of Audit (sometimes called "bookkeeping") Information. Fifty-three audit entries are now available. Calculation of the various factors is no longer necessary because the System 11C game program now performs all the mathematical factor computations. This information is intended to aid the owner/operator in evaluating how the game is performing in each location, by providing knowledge about which game features are receiving the most play. With this information, the owner/operator can determine whether adjusting the game features to other settings will contribute to increased game earnings.

The operator can press the ADVANCE button once to view each Audit Information display item. To proceed more rapidly through this information, the operator only has to press and hold the ADVANCE button. If a desired item is passed, the operator can use the MANUAL-DOWN switch position with the ADVANCE button to back up to the desired item.

The *POOL SHARKS* Audit Table lists the 53 items of the Audit Information portion of the *POOL SHARKS* Game Status Displays. Presentation of this Audit Information again utilizes the player score displays; however, the Player 1 and 2 displays are combined as a descriptive phrase. The light type below the table's column headings names the respective backbox displays where the information appears. Because the Player 4 display contains information which depends on game play, only a few example entries are shown in the table. The Credits display shows Au for all 53 audit items, so its entry is omitted from the tabular listing. Detection of erroneous data affecting any of the counters used in these audit items causes the message, ERROR, to be displayed in the Player 3 display, during display of any audit item associated with that particular counter. (The program does not analyze the cause of the error; it merely alerts the operator of the error's existence by the message.)

## **ADJUSTMENT INFORMATION - Ad**

At end of the Audit Information presentation, with the AUTO-UP switch in the Up position, the operator can press the ADVANCE button to proceed to the Adjustment Information portion of the *POOL SHARKS* Game Status Displays, as listed in the *POOL SHARKS* Game Adjustment Table.

The operator can press the ADVANCE button once to view each Adjustment Information display item. To proceed more rapidly through this information, the operator only has to press and hold the ADVANCE button. If a desired item is passed, the operator can use the MANUAL-DOWN switch position with the ADVANCE button to back up to the desired item.

The *POOL SHARKS* Game Adjustment Table lists the 70 items of the Adjustment Information portion of the *POOL SHARKS* Game Status Displays. Presentation of the displays is similar to that for the Audit Information (that is, the player 1 and 2 displays combine as a descriptive phrase; the light type below the column headings

## POOL SHARKS AUDIT TABLE

Audit Item (Right)	Descriptive Phrases (Left Display)	Audit Factor <sup>1</sup> Value (Right)
AU 01	LEFT COINS [chute next to coin door hinge]	432
02	CENTER COINS	0
03	RIGHT COINS	398
04	PAID CREDITS	830
05	TOTAL PLAYS	
06	TOTAL FREE (Total Free Plays)	
07	PERCENT FREE (% Free Plays)	
08	REPLAY AWARDS	
09	PERCENT REPLAY (% Replay Awards)	
10	NOT USED	
11	NOT USED	
12	MATCH AWARDS	
13	HSTD ( High Score to Date) CREDITS	
14	PERCENT HSTD (% HSTD Credits)	
15	EXTRA BALLS	
16	PERCENT EX. BALL (% Extra Balls)	
17	AV. BALL TIME (Average Time in Seconds)	
18	MINUTES OF PLAY (Minutes of Play)	
19	BALLS PLAYED	
20	REPLAY1 AWARDS	
21	REPLAY2 AWARDS	
22	REPLAY3 AWARDS	
23	REPLAY4 AWARDS	
24	1 PLAYER GAMES	
25	2 PLAYER GAMES	
26	3 PLAYER GAMES	
27	4 PLAYER GAMES	
28	BURN-IN CYCLES	
29	JACKPOT MADE ( # of times Jackpot made)	
30	TRICK SHOT 8 BALL (# of times Trick Shot made in 8 Ball play)	
31	TRICK SHOT 9 BALL (# of times Trick Shot made in 9 Ball play)	
32	POOL CUE < MILLION (# of times Pool Cue made at Less Than 1 Million)	
33	POOL CUE >= MILLION (# of times Pool Cue made at Greater or Equal 1 Mill)	
34	RACKS 8 BALL (# of Racks made in 8 Ball)	
35	RACKS 9 BALL(# of Racks made in 9 Ball)	
36	CONSOLATION EXTRA BALL TIME (amount of Consolation Extra Ball Time)	
37	MULTIPLIERS (# of Multipliers gotten {2X, 3X, 4X, 5X})	
38	POWER SHOT AWARD (# of Power Shots)	
39	H.S.RESET COUNTER	
40	0.0-0.4 MIL. SCORE (# of games <500K)	
41	0.5-0.9 MIL. SCORE (# of games ≥500K, <1M)	
42	1.0-1.4 MIL. SCORE (# of games ≥1M, <1.5M)	
43	1.5-1.9 MIL. SCORE (# of games ≥1.5M, <2.0M)	
44	2.0-2.9 MIL. SCORE (# of games ≥2.0M, <2.9M)	
45	3.0-3.9 MIL. SCORE (# of games ≥3.0M, <3.9M)	
46	4.0-4.9 MIL. SCORE (# of games ≥4.0M, <4.9M)	
47	5.0-5.9 MIL. SCORE (# of games ≥5.0M, <5.9M)	
48	6.0-7.9 MIL SCORE (# of games ≥6.0M, <7.9M)	
49	8.0-9.9 MIL SCORE (# of games ≥8.0M, <9.9M)	
50	10-99 MIL. SCORE (# of games ≥10.0M, <99 M)	
51	AV. MIN. GAME TIME (Avg Game Time in minutes)	
52	LEFT OUTLANE (Total # of times ball hit Left Outlane)	
53	RIGHT OUTLANE ( Total # of times ball hit Right Outlane)	

**NOTE:**  
 1. The numbers shown in this column for Items 1 through 4 are examples.  
 Entries for all items depend on the amount of play; thus, they will vary from location to location.



## POOL SHARKS Game Adjustment Table

Adjustment Item (Player 3)	Descriptive Phrases (Player 1 and 2 Displays)	Factory Setting		
		Domestic (US/Can.)	W.Ger./ European	French
Ad 01	AUTO REPLAY <sup>1</sup> or FIXED REPLAY <sup>1</sup>	10 (%)	00	
02	REPLAY START (or REPLAY LEVEL 1)	SCORES <sup>1</sup>	6,500,000	6,500,000
03	REPLAY LEVELS (or REPLAY LEVEL 2) <sup>1</sup>	01	02	
04	(REPLAY LEVEL 3) <sup>1</sup>	(see text)		
05	(REPLAY LEVEL 4) <sup>1</sup>	(see text)		
06	REPLAY AWARD	Credit		
07	NOT USED			
08	MATCH FEATURE	[Off, 1-50%]	08(%)	07(%)
09	BALLS/GAMES	03		
10	TILT WARNING	03		01
11	MAXIMUM EXTRA BALL	03		01
12	MAXIMUM CREDITS	10	30	20
13	HIGHEST SCORES	On		
14	BACKUP HI. SCR. 1	8,000,000	8,500,000	8,500,000
15	BACKUP HI. SCR. 2	7,500,000	8,000,000	8,500,000
16	BACKUP HI. SCR. 3	7,000,000	7,500,000	7,500,000
17	BACKUP HI. SCR. 4	6,500,000	7,000,000	7,000,000
18	HI. SCR.1 CREDITS	01	03	03
19	HI. SCR.2 CREDITS	01	00	00
20	HI. SCR.3 CREDITS	01	00	00
21	HI. SCR.4 CREDITS	01	00	00
22	H. S. RESET EVERY	3,000	1,000	
23	FREE PLAY	NO		
24	U.S.A. 1 COINAGE (1 COIN 1 PLAY) <sup>2,3,6</sup>	USA 2	GERMAN 2	FRANCE
25	LEFT UNITS	01	06	02
26	CENTER UNITS	04	12	10
27	RIGHT UNITS	01	30	20
28	UNITS/ CREDIT	01	05	05
29	UNITS/ BONUS	00	00	20
30	MINIMUM UNITS	00	00	00
31 - 48	Game-specific Adjustments (detailed in text and the Game Adjustment Setting Comparison Table)			
49 <sup>4</sup>	CUSTOM MESSAGE	ON		
50	DISPLAY AU (01 - 04)	YES		
51 - 52	NOT USED			
53 - 58 <sup>5,6</sup>	Special Adjustments- See text for 53-58 details.			
59 <sup>5</sup>	INSTALL ADDABALL	NO		
60 <sup>5</sup>	INSTALL 5-BALL	NO		
61 <sup>5</sup>	INSTALL NOVELTY	NO		
62 <sup>5</sup>	INSTALL EX. EASY	NO		
63 <sup>5</sup>	INSTALL EASY	NO		
64 <sup>5</sup>	INSTALL MEDIUM	NO		
65 <sup>5</sup>	INSTALL HARD	NO		
66 <sup>5</sup>	INSTALL EX. HARD	NO		
67	AUTO BURN-IN	NO		
68	CLEAR COINS	NO		
69 <sup>7</sup>	CLEAR AUDITS	NO		
70	INSTALL FACTORY	NO		

**NOTES:**

- 1 Automatic Replay percentage value range is adjustable from 5 to 50%, via the Start Button. Item 02 permits changing the factory setting value for Replay Start Level valid for the next 500 games played. Item 03 permits setting up four replay levels, values as detailed in text describing Item 03. For Fixed Replay Scores set Auto Replay value to 1 less than 5% via the Start Button. Go to items 02, 03, 04, and 05; install their replay level scores. Turn off any replay level by setting 00 as its value.
- 2 Phrase in parentheses is Factory Setting. Phrase appears in player 2 and 4 displays. Press Start button to change setting of the game pricing of item 24.
- 3 To change country OR coinage setting, press Start button to obtain 24 Standard settings, followed by a Custom Setting. The Custom Setting activates items 25 through 30. When a Standard Setting is used items 25 through 30 are set automatically, and cannot be changed.
- 4 To install Custom Message, press flipper button for alphabet and special characters. Press Start Button for next message letter or character.
- 5 Special Preset Adjustment, whose effects are noted in the Game Adjustment text.
- 6 Refer to **Pricing Table** and text describing these items.
- 7 Approximates Ad 64, yet includes all factors listed in Factory Setting column, not just Ad 31 through 47 provided by Ad 64.

names the respective backbox displays where the information appears, etc.). The Player 3 display shows Ad for all 70 adjustment items, so its entry is omitted from the tabular listing.

The *POOL SHARKS* Game Adjustment Setting Comparison Table shows the five game 'difficulty' Adjustment Items (ranging from Ad 62 - Extra Easy through Ad 66 - Extra Hard). Installing any one of these 'difficulty' Adjustments causes the values shown for each of the included game play Adjustment Items to be installed as a group, changing the level of play from one difficulty level to another. The owner/operator can use the information provided by the Audit Table items to determine whether the 'difficulty level' for this game in this location needs to change to obtain a higher level of earnings from the game or to provide a greater challenge to the location's players.

Once the 'difficulty level' is changed, a careful review of the Audit Items will reveal whether the change has achieved this higher-earnings goal. Sometimes, one (or more) of the Adjustment Items needs further change to keep the number of plays high, while still keeping the earnings level high.

**POOL SHARKS** Game Adjustment Comparison Table

Adj #	Adj Description	Extra Easy Ad 62	Easy Ad 63	Medium (Factory) Ad 64	Hard Ad 65	Extra Hard Ad 66
32	Captive 2X Timer	45	30	15	10	5
33	Extra Ball Lit Timer	40	30	20	15	10
34	Jackpot/Shark Timers	40	30	20	15	10
35	Racks Memory	Yes	Yes	Yes	No	No
36	Multipliers Memory	Yes	Yes	No	No	No
37	Extra Ball Lit Memory	Yes	Yes	Yes	Yes	No
38	Captive Ball Start	100K	50K	10K	10K	10K
39	Captive Ball Fall Back	200K	100K	100K	50K	10K
40	Captive Memory	Yes	Yes	Yes	No	No
41	Trick Shot Timer	Slowest	Slow	Normal	Fast	Fastest
42	Lane Change	Yes	Yes	Yes	No	No
43	Lane Memory	Yes	Yes	Yes	No	No
44	8/9 Ball Shots	Easy	Easy	Medium	Hard	Hard
45	% of Extra Ball per Game	50%	40%	33%	25%	20%
46	Not Used					

# Game Adjustment Procedure

## Adjustment Items 01 through 70

The coin door must be open to access the Game Adjustment/Diagnostic switches. All readings and setting changes require operation of these coin door switches. Some setting changes utilize the Start button; Adjustment #49 also uses the flipper buttons. Additional text describing the game adjustment items follows this procedure; the value of the Factory Setting for each Game Adjustment item is in the preceding *POOL SHARKS* Game Adjustment Table.

1. Use AUTO-UP and press ADVANCE. The Id 00 display initially appears. Press ADVANCE until the Player 3 display indicates Ad 01. If the factory setting has not changed, the Player 1 and 2 Score displays indicate AUTO REPLAY, and the Player 4 display shows 10%, indicating a 10% replay percentage. (The game program adjusts itself automatically, as discussed in the following text concerning the 'details' about Adjustment Item 01.)
2. To reach a higher item number (in the Player 3 display), use AUTO-UP and press ADVANCE. To return to a previous item number, use MANUAL-DOWN and press ADVANCE.
3. With the desired Game Adjustment Item number showing in the Player 3 display, increase the setting value (or select another option) shown in the Player 4 display by using AUTO-UP and pressing the Start button. Repeat this step for each item, until all changes to the factory settings for the Game Adjustment Items have been made. The preceding Game Adjustment Table consolidates the Factory Settings into one grouping.

(The same procedure can be used for Audit Items. To zero Au 01 - 04 [concerning the coin chutes and the total coins], the operator can proceed to item 68, Clear Coins, and press the Start button to obtain the YES option. The operator then presses the ADVANCE button and notes the "DONE" display, which verifies that the entry values for items 01 through 04 of the Audit Items are now reset to zero.)

For example, the operator may desire to change the degree of game play difficulty from the Factory Setting (equivalent to the Install Medium [Ad 64] difficulty, along with a number of other automatically installed settings, as shown in the right column of the Game Adjustment Table) to another difficulty more suitable for the players at a particular game site. Four other 'automatic' play difficulty settings (Ad 62 - Ad 66) are available, each of which, if selected, installs all the adjustments listed for that difficulty in the Game Adjustment Setting Comparison Table, which precedes the 'details' text.

4. To proceed rapidly through the entire adjustments series, press and hold ADVANCE, until Ad 70 shows in the Player 3 display. From item 70, you can: (A) return to the Game-Over Mode; or (B) restore factory settings and zero audit (bookkeeping) totals. Perform either of the following, as desired:

- A. To reach Game-Over Mode, use AUTO-UP and press ADVANCE once. *POOL SHARKS* now goes to the Game-Over Mode.
- B. To restore the Factory Settings for Game Adjustment Items (as listed in the Game Adjustments Table), zero all audit (bookkeeping) totals, and return to Game-Over Mode, use AUTO-UP or MANUAL-DOWN to display Ad 70 in the Player 3 display. Press the Start button to display the YES option in the Player 4 display. Using AUTO-UP, press ADVANCE once. *POOL SHARKS* now zeroes ALL Audit Item totals and changes ALL Game Adjustment Items back to those originally selected as Factory Settings. It then shows the operator a message ("FACTORY SETTING") that this has occurred. (A problem in the Memory Protect Circuit or closing the coin door will cause the message "ADJUST FAILURE" to appear.) Press ADVANCE once more to return to the Game-Over Mode.

## **Details of Adjustment Items 01 through 70**

### **▲ 01 Auto Replay (or Fixed Replay)**

Of the two options, AUTO REPLAY is the percentage of replays automatically awarded per game. The game program aids a pinball's initial installation by causing a comparison of the value of the Replay Level to the value of all players' scores every 50 games. At each comparison, the program increases (or decreases) the Replay Level by an amount necessary to achieve the replay percentage specified either via the factory setting or later operator selection. Use the Start button to change the percentage within the range of 5 to 25 (%), with the value increasing using AUTO-UP (or decreasing using MANUAL-DOWN). The next Start button change below 5%, selects the FIXED REPLAY option.

For AUTO REPLAY, Ad 02 provides the Starting Replay Level (Player 1 and 2 displays show REPLAY START). Ad 03 provides the number of replay levels (01, 02, 03, or 04). *POOL SHARKS* then proceeds to Ad 06 automatically.

For FIXED REPLAY, Ad 02 is the first replay level (REPLAY LEVEL 1). Ad 03, 04, and 05 are the other replay levels.

### **▲ 02 Starting Replay Level (or Replay Level 1)**

For AUTO REPLAY (refer to Ad 01), the initial Factory Setting is listed in the Game Adjustment Table. The range of settings is 800,000 through 9,800,000 (by increments of 100,000 with AUTO-UP or decrements of 100,000 with MANUAL-DOWN).

For FIXED REPLAY, the operator can enter the value to be used for the first fixed replay score level via the Start button. The range of settings is: OFF; 100,000 through 9,900,000 (by increments of 100,000 with AUTO-UP, or decrements of 100,000 with MANUAL-DOWN).

### ▲ 03 Replay Levels (or Replay Level 2)

For AUTO REPLAY (refer to Ad 01), this is the number of replay levels in a game. The option range is one, two, three, or four replay level(s). When the operator chooses two replay levels, *POOL SHARKS* automatically adjusts the second replay level to be twice the value selected for Ad 02, the starting replay level. Choosing three or four replay levels automatically adjusts their replay levels to three times or four times the Ad 02 value.

For FIXED REPLAY, the technique of value entry and the range of settings are identical to those of Ad 02.

### ▲ 04 (Replay Level 3)

For AUTO REPLAY, this Adjustment Item is not applicable. *POOL SHARKS* automatically bypasses this adjustment.

For FIXED REPLAY, the technique of value entry and the range of settings are identical to those of Ad 02.

### ▲ 05 (Replay Level 4)

For AUTO REPLAY, this Adjustment Item is not applicable. *POOL SHARKS* automatically bypasses this adjustment.

For FIXED REPLAY, the technique of value entry and the range of settings are identical to those of Ad 02.

### ▲ 06 Replay Award

For either AUTO REPLAY or FIXED REPLAY (Ad 01), the operator can select the form of the award automatically provided when the player exceeds any Replay Level (Automatic or Fixed). The choices are:

- Credit - Reaching each replay level obtains a credit (free game).
- Ball - Reaching each replay level obtains an extra ball.
- Audit - Reaching each replay level obtains nothing to the player; it does increase the entry value of the Audit Item(s) maintaining a tally of these awards (Au 08, and Au 20 through 23, as applicable).

### ▲ 07 Not Used



### ▲ 08 Match Award

The operator can select (via the Start button) the desired percentage for the Match action occurring at the completion of each game. The choices are:

- 1%-50% - 1% is 'hard'; 50% is 'extremely easy'. During Match action, the game selects a random two-digit number at end of game and compares each player's score for an identical two digits in the rightmost two positions. A matching of the two digits results in the award of a credit.
- Off - The MATCH display does not operate at completion of the game; no award is given.

### ▲ 09 Balls/Game

The operator can define a "game" by specifying the number of balls to be played. The range of this setting is 1 through 9.

### ▲ 10 Tilt Warning

The operator can specify the number of total actuations of the plumb bob and playfield tilt mechanisms that can occur before the game is "tilted". The range of this setting is 1 through 5.

### ▲ 11 Maximum Extra Ball

The operator can choose (via the Start button) the number of Extra Balls to be awarded to a player. The range of this setting is:

- 00 - NO extra ball play: displays a message, NO EX. BALL  
A score is awarded in lieu of the extra ball.
- 1-9 E.B./Ball - 1 through 9 Extra Balls per ball (i.e., all balls including Extra Balls) are awarded.

### ▲ 12 Maximum Credits

The operator can specify the maximum number of credits the game can accumulate, either through game play awards or coin purchases. The range of settings is 5 through 10. Reaching the specified setting prevents the award of additional credits by game play. Coin purchases do continue to accumulate and are displayed.

### ▲ 13 Highest Scores

The operator can specify (via the Start button) whether the game is to maintain a record of the four highest scores achieved to date. The choices are:

- Off - NO high scores are recorded.
- On - The four highest scores are stored in memory for use by Game Adjustment 22.

**▲ 14 Backup High Score 1 (for 8 Ball and 9 Ball play)**

The operator can set the Backup High Score value in the Player 1 Score display, using the Start button. The game automatically restores this value, when the operator presses, and holds, the HIGH SCORE RESET switch, or when an automatic High Score Reset event (Ad 22) occurs.

**▲ 15 Backup High Score 2 (for 8 Ball and 9 Ball play)**

This adjustment is similar to Ad 14, except that this applies to the Player 2 Score display. The adjustment technique is identical to Ad 14. It is also restored as described for Ad 14.

**▲ 16 Backup High Score 3 (for 8 Ball and 9 Ball play)**

This adjustment is similar to Ad 14, except that this applies to the Player 3 Score display. The adjustment technique is identical to Ad 14. It is also restored as described for Ad 14.

**▲ 17 Backup High Score 4 (for 8 Ball and 9 Ball play)**

This adjustment is similar to Ad 14, except that this applies to the Player 4 Score display. The adjustment technique is identical to Ad 14. It is also restored as described for Ad 14.

**▲ 18 Credits for Highest Score 1**

The operator can select the number of credits to be awarded, by using the Start button, whenever a player exceeds the previous Highest Score. The range of this setting is 00 through 10.

**▲ 19 Credits for Highest Score 2**

This adjustment is similar to Ad 18, except that this applies to the player's exceeding the second highest score. The Start button adjustment technique is the same as for Ad 18. The range of this setting is 00 to 03.

**▲ 20 Credits for Highest Score 3**

This adjustment is similar to Ad 18, except that this applies to the player's exceeding the third highest score. The Start button adjustment technique is the same as for Ad 18. The range of this setting is 00 through 03.

**▲ 21 Credits for Highest Score 4**

This adjustment is similar to Ad 18, except that this applies to the player's exceeding the fourth highest score. The Start button adjustment technique is the same as for Ad 18. The range of this setting is 00 through 03.

**▲ 22 Automatic High Score Reset**

The operator can specify (via Start button) that the game will provide an automatic reset of the displayed "Highest Scores", and the number of games to be played before the reset occurs. (Audit item 39 displays the games remaining before the reset.) The values provided upon reset are those selected by the operator in Ad 14 through 17, the Backup High Scores. The range of this setting is Off (to disable this adjustment), and 250 to 24,750 games (in increments of 250).

### ▲ 23 Free Play

The operator can select (via the Start button) whether a player can operate the game without a coin (free play) or with a coin. The choices are:

- No - A coin is necessary for game play.
- Yes - Game play is free; no coin is required.

### ▲ 24 Coinage Selections

The operator can specify (via the Start button) any of the Standard Settings for game pricing, each of which exhibits a message identifying the country and the number of coins required and the number of games that the coin requirement purchases. Choosing a Standard Setting permits the game to omit items Ad 25 through 30, which are adjustments allowing for a special custom coinage setting.

Following the last Standard Setting is a Custom Coinage Setting, which allows the operator to utilize Ad 25 through 30 in establishing a special coinage setting. A message, CUSTOM COINAGE, indicates that the operator can enter the appropriate values into the Ad 25 through 30 adjustment items.

The values for Ad 25 through 30 of each Standard Setting, as well as other possible values for the Custom Coinage Setting are shown in the Pricing Table.

### ▲ 25 Left Chute Coin Units

The operator can specify (via the Start button) the number of coin units purchased by a coin passing through the left coin chute.

### ▲ 26 Center Chute Coin Units

The operator can specify (via the Start button) the number of coin units purchased by a coin passing through the center coin chute.

### ▲ 27 Right Chute Coin Units

The operator can specify (via the Start button) the number of coin units purchased by a coin passing through the right coin chute.

### ▲ 28 Units Required for Credit

The operator can define (via the Start button) the number of coin units required to obtain 1 Credit. A coin unit counter in the game program totals the number of coin units purchased through all coin chutes prior to each game. If the total of these coin units matches, or exceeds, the Units per Credit value by a multiple (or more, coin units) of the specified Units per Credit value, the Credits display shows the proper number of Credits. The coin unit counter retains any remaining coin units, until the start of a game; then, the coin unit counter is cleared (its contents are zeroed).

### ▲ 29 Units Required for Bonus

The operator can specify (via the Start button) that 1 additional Credit is to be indicated in the Credits display, when a certain number of coin units are accumulated.

### ▲ 30 Minimum Units Required for any Credits Posted

The operator can specify that NO Credits are to be posted (indicated in the Credits display), until the credit units counter reaches a particular value, by setting this value to 02 (or more). A setting of 01 allows the Credits display to show fractional coin units.

The System 11C game program defines the following Adjustment Items as "game specific"; that is, they are unique for each game. The Game Designer/Engineer/Programmer team members work together to use these as controlling factors for game play. By varying the setting of these Adjustment Items, it is possible to "fine-tune" a game to suit a particular location, enabling the owner/operator to reap maximum earnings, while still providing the players with sufficient challenge to keep them playing.

### ▲ 31 1/2 Price Buy-in

The operator can choose (via the Start button) whether the player is allowed to 'buy-in' subsequent games at 1/2 price. The number of games offered at 1/2 price is determined by the number of players in the previous game; that is, if the previous game had three players, three credits can be purchased for 1/2 price. NOTE: This requires that the left coin slot is always the smallest denomination of coins. The choices are:

- On - The player has 10 seconds to 'buy-in' the next game(s) at 1/2 the original cost.
- Off - The 'buy-in' is not available.

### ▲ 32 2X Captive Timer

The operator can choose (via the Start button) the amount of time the player has to earn 2X the Captive Ball. The range of this setting is 99 seconds (Liberal) to 1 second (Conservative).

### ▲ 33 Extra Ball Lit Timer

The operator can choose (via the Start button) the amount of time the player has to light the Extra Ball. The range of this setting is 99 seconds (Liberal) to 1 second (Conservative).

### ▲ 34 Jackpot Timer

The operator can choose (via the Start button) the amount of time the player has to earn the Jackpot and/or Sharks. The range of this setting is 99 seconds (Liberal) to 1 second (Conservative).

### ▲ 35 Racks Memory

The operator can choose (via the Start button) whether the Racks are stored in memory for "next ball" play (continues from ball to ball) or are reset for each ball. The choices are:

- Yes - (Liberal) The Racks are remembered from ball to ball.
- No - (Conservative) The Racks are reset at ball start.

### ▲ 36 Multiplier Memory

The operator can choose (via the Start button) whether the Bonus Multipliers are stored in memory for "next ball" play (continues from ball to ball) or are reset for each ball. The choices are:

- Yes - (Liberal) The Multipliers are remembered from ball to ball.
- No - (Conservative) The Multipliers are reset at ball start.



### ▲ 37 Extra Ball Lit Memory

The operator can choose (via the Start button) whether the Extra Ball is stored in memory for "next ball" play (continues from ball to ball) or is reset for each ball. The choices are:

- Yes - (Liberal) The Extra Ball Lit is remembered from ball to ball.
- No - (Conservative) The Extra Ball Lit is reset at ball start.

### ▲ 38 Captive Start

The operator can choose (via the Start button) what value the Captive Ball will start at. The range of this setting is 30K (Conservative) to 1 Million (Liberal) .

### ▲ 39 Captive Fallback

The operator can choose (via the Start button) what value the Captive Ball will return to after it has been collected. The range of this setting is 30K (Conservative) to 1 Million (Liberal).

### ▲ 40 Captive Ball Memory

The operator can choose (via the Start button) whether the Captive Ball value is stored in memory for "next ball" play (continues from ball to ball) or is reset at ball start. The choices are:

- Yes - (Liberal) The Captive Ball value is remembered from ball to ball.
- No - (Conservative) The Captive Ball value is reset at ball start.

### ▲ 41 Trick Shot Timer

The operator can choose (via the Start button) the time allowed for the Trick Shot. The choices are:

- Slowest - (Liberal) 40 seconds
- Slow - 35 seconds
- Normal - 27 seconds
- Fast - 20 seconds
- Fastest - (Conservative) 15 seconds

### ▲ 42 Top Lane Change

The operator can choose (via the Start button) whether the player is able, via the flippers, to rotate the Top Lane Lights. The choices are:

- Yes - (Liberal) The player can use the flippers to rotate the Top Lanes lights.
- No - (Conservative) The player cannot rotate the Top Lanes Lights.

### ▲ 43 Lane Memory

The operator can choose (via the Start button) whether the Top Lanes are stored in memory for "next ball" play (continue from ball to ball) or are reset at ball start. The choices are:

- Yes - (Liberal) The Top Lanes are remembered from ball to ball
- No - (Conservative) The Top Lanes are reset at ball start.

### ▲ 44 8/9 Ball Shots

The operator can choose (via the Start button) level of difficulty for the 8 and 9 Ball shots. The choices are:

- |        |                  |   |
|--------|------------------|---|
| Easy   | - (Liberal)      | Both ramps always.                              |
| Medium |                  | Both ramps the first time, one ramp after that. |
| Hard   | - (Conservative) | One ramp always.                                |

### ▲ 45 Extra Balls per Game

The operator can choose (via the Start button) the Maximum Amount of Extra Balls awarded. The range of this setting is Enabled 1% (Conservative) through 99% (Extremely Liberal).

### ▲ 46 Not Used

### ▲ 47 Consolation Extra Ball Time

The operator can choose (via the Start button) whether a less-skilled player can obtain an Extra Ball. If, on the last ball, the players' score is less than 1 Million and, the game time is less than or equal to the consolation time the Extra Ball light turns on. The range of this setting is 99 seconds (Liberal) to 1 second (Conservative). This Adjustment can be Disabled, via a setting of 0 (OFF).

### ▲ 48 Attract Mode Sounds

The operator can select (via the Start button) whether the Attract Mode has sound. The choices are:

- Yes - (Liberal) The Attract Mode does have sound.
- No - (Conservative) The Attract Mode does not have sound.

### ▲ 49 Custom Message

The operator can choose (via the Start button) whether to display a message during the Attract Mode. (When display of a message is selected, the operator can either utilize the message provided or change the message). Three choices are available:

- 1 - Display a message during the Attract Mode. The Player 4 display shows this choice as ON. The message provided is:  
"BE A SHARP SHOOTER, PLAY POOL SHARKS"
- 2 - Do NOT display a message during the Attract Mode. (Player 4 shows OFF.)
- 3 - The Player 4 display shows this choice as CHANGE. The operator can enter a special ("custom") message, as follows:
  - A. Press ADVANCE once. The operator can now enter as many as three 14-character lines for display during the Attract Mode.
  - B. Use the flipper button(s) to select each message character (alphabet, numbers, and special symbols are available). In case of error, enter a "back arrow" (just before "space") to correct, followed by correct character. For a period after any letter, use letters with periods (following the special symbols). The entire character set is the following:

A B C D E F G H I J K L M N O P Q R S T U V W X Y Z 0 1 2 3 4 5 6 7 8 9 < > ? - / \* ' .

A. B. C. D. E. F. G. H. I. J. K. L. M. N. O. P. Q. R. S. T. U. V. W. X. Y. Z. \_

- C. Move to the next character via the Start button. No entirely blank lines will be displayed.

### ▲ 50 Display AU 01 - 04

The operator can choose (via the Start button) how to display the coinage audit information, Au 01 - 04. No information is lost; it remains stored in the CPU memory. The information is now available for readout via the player score displays. Three choices are available:

- Yes - Both the audit text (slot identification) and the value is displayed.
- Value - Only the value is displayed.
- No - NO display occurs.

### ▲ 51-52 Not Used

### ▲ 53-55 Not used in USA games (see Adjustments for German games).

## **SPECIAL PRESET ADJUSTMENTS CAUTION**

Adjustments 53 through 66 are Special Preset Adjustments to enable the operator to perform the setting of multiple adjustments at once. They permit the operator to: (1) either modify a game for a specific area (for example, USA coinage settings, Ad 56 through 58, or special German coinage settings, Ad 53 through 58) (2) change a group of adjustments to conform with laws of certain localities (Ad 59 through 61); and (3) to change the degree of difficulty of game play (Ad 62 through 66). A list of the preceding individual Adjustments affected accompanies each of these Special Preset Adjustments. Whenever the operator chooses to use any Special Preset Adjustment, the operator can later access any or all of the individual Adjustments affected by that Special Adjustment for subsequent changes.

A similar technique is recommended in the event of error or uncertainty concerning any Special Preset Adjustment, after the operator selects it: The operator can restore the factory setting of each individual Adjustment, then select the desired Special Preset Adjustment, and then return to any of the preceding individual adjustments to determine whether use of the Special Adjustment has had the desired effect.

The Backbox displays for each Special Preset Adjustment indicate whether the operator has selected it, by identifying the Adjustment in the Player 1 and 2 displays by name and the selection choice of NO, meaning Not Selected (this is the Factory Setting), or YES, meaning Selected, in the Player 4 display. Operator installation of the 'selected' Preset Adjustment occurs by using the Start button to choose YES and then pressing the ADVANCE switch. The displays then show the name of the Adjustment again, with DONE to show that the installation is now in effect.

Note that, when an operator installs any of the Special Preset Adjustments, Adjustment Items using the automatic adjust feature of the game program reset to the auto adjust value listed for that Adjustment Item.

### **NOTE**

Games in which the CPU has ROMs installed for German (Deutsch) language and play adjustments automatically have certain Adjustment Items preset. The following table shows these Preset Adjustment Items for each of the special German Coinage Adjustments.

**▲ 53 through 58 for German/European Games Only:  
Install German 1, 2, 3, 4, 5 or 6.**

The operator can use these Adjustment Items to modify the game pricing selection of the Standard Setting named "German1 or German 2" in the Pricing Table to permit the style of play for the particular price shown in the POOL SHARKS Preset game Adjustment Table for German/European Games.

Preset Game Adjustments Table For **GERMAN/EUROPEAN GAMES**

AD	ADJ DESCRIPTION	GERMAN 1	GERMAN 2	GERMAN 3	GERMAN 4	GERMAN 5	GERMAN 6
		AD 53	AD 54	AD 55	AD 56	AD 57	AD 58
06	Replay Award	Credit	Credit	Credit	Credit	Credit	Credit
07	Special Award	Not Used	Not Used	Not Used	Not Used	Not Used	Not Used
08	Match Feature	7%	7%	Off	7%	7%	Off
09	Balls/Game	03	03	03	03	03	03
14	Backup High Score 1	8,500,000	8,500,000	00	8,500,000	8,500,000	00
15	Backup High Score 2	8,000,000	8,000,000	00	8,000,000	8,000,000	00
16	Backup High Score 3	7,500,000	7,500,000	00	7,500,000	7,500,000	00
17	Backup High Score 4	7,000,000	7,000,000	00	7,000,000	7,000,000	00
18	High Score 1 Credits	03	03	00	03	03	00
19	High Score 2 Credits	00	00	00	00	00	00
20	High Score 3 Credits	00	00	00	00	00	00
21	High Score 4 Credits	00	00	00	00	00	00
24	Coinage Setting	6 spiele/5 DM	6 spiele/5 DM	6 spiele/5 DM	7 spiele/5 DM	7 spiele/5 DM	7 spiele/5 DM

**▲ 56 Install 3 Balls/2 Coins**

The operator can use this adjustment to modify the current game pricing selection to enable game play to begin when the specified number of coins are deposited. In this instance, the player now receives a 3 ball game when 2 coins of proper denomination (USA: 50 cents) passes through the coin chute.

**▲ 57 Install 3 Ball/ 1 Coin**

The operator can use this adjustment to modify the current game pricing selection to enable game play to begin when the specified number of coins are deposited. In this instance, the player now receives a 3 ball game when 1 coin of the proper denomination (USA: 25 cents) passes through the coin chute.

**▲ 58 Install 5 Balls/2 Coins**

The operator can use this adjustment to modify the current game pricing selection to enable game play to begin when the specified number of coins are deposited. In this instance, the player now receives a 5 ball game when 2 Coins of the proper denomination (USA: 50 cents) passes through the coin chute.

## Preset Game Adjustments Table For **US/CANADIAN GAMES**

AD	ADJ DESCRIPTION	AD 54 Not Used	AD 55 Not Used	AD 56 3-ball/ 2 Coins	AD 57 3-balls/ 1 Coin	AD 58 5-balls/ 2 Coins
02	Replay Start	-	-	6,000,000	6,000,000	5,000,000
09	Balls/Game	-	-	3	3	5
14	Backup High Score 1	-	-	8,000,000	8,000,000	9,000,000
15	Backup High Score 2	-	-	7,500,000	7,500,000	8,500,000
16	Backup High Score 3	-	-	7,000,000	7,000,000	8,000,000
17	Backup High Score 4	-	-	6,500,000	6,500,000	7,500,000
24	Coinage	-	-	USA 3	USA 1	USA 3
64	Install Medium	-	-	Yes	Yes	No
65	Install Hard	-	-	No	No	Yes

### ▲ 59 Install Add-A-Ball

The operator can utilize this option to delete all Free Play awards and replace them with Extra Ball awards. Individual Adjustments are affected, as follows:

<u>Ad</u>	<u>Name</u>	<u>New Setting</u>	<u>Ad</u>	<u>Name</u>	<u>New Setting</u>
06	Replay Award	Ball	18	Hi Scr 1 Credits	00
07	Special Award	Ball	19	Hi Scr 2 Credits	00
08	Match Feature	Off	20	Hi Scr 3 Credits	00
11	Ex. Ball	4/BIP	21	Hi Scr 4 Credits	00

### ▲ 60 Install 5-Ball

The operator can change the game to 5-ball play, including the changing of certain features to the recommended 5-ball difficulty level. NOTE Ad 65 (Install Hard) settings are also set when the game is changed to '5-ball play'. Individual Adjustments are affected, as follows:

<u>Ad</u>	<u>Name</u>	<u>New Setting</u>	<u>Ad</u>	<u>Name</u>	<u>New Setting</u>
02	Replay Start	7,000,000	09	Balls/Game	05

### ▲ 61 Install Novelty

The operator can remove all Free Play and Extra Ball awards. Individual Adjustments are affected, as follows:

<u>Ad</u>	<u>Name</u>	<u>New Setting</u>	<u>Ad</u>	<u>Name</u>	<u>New Setting</u>
01	Fixed Replay	Scores	07	Special Award	Score
02	Replay Level 1	Off	08	Match Feature	Off
03	Replay Level 2	Off	11	No Extra Ball	00
04	Replay Level 3	Off	18	Hi Scr 1 Credits	00
05	Replay Level 4	Off	19	Hi Scr 2 Credits	00
06	Replay Award	Audit	20	Hi Scr 3 Credits	00
			21	Hi Scr 4 Credits	00

### **▲ 62 Install Extra Easy**

The operator can change the game play difficulty adjustments to a combination that is extremely easy (sometimes called "liberal"). The Game Adjustment Setting Comparison Table, which precedes these 70 individual Adjustment descriptions, lists the Adjustments and the settings that comprise the 'Extra Easy' group.

### **▲ 63 Install Easy**

The operator can change the game play difficulty adjustments to a combination that is slightly easier than the Factory Settings. The Game Adjustment Setting Comparison Table, which precedes these 70 individual Adjustment descriptions, lists the Adjustments and the settings that comprise the 'Easy' group.

### **▲ 64 Install Medium**

The operator can change the game play difficulty adjustments to a combination that matches the Factory Settings. The Game Adjustment Setting Comparison Table, which precedes these 70 individual Adjustment descriptions, lists the Adjustments and the settings that comprise the 'Medium' group.

### **▲ 65 Install Hard**

The operator can change the game play difficulty adjustments to a combination that is more difficult than the Factory Settings. The Game Adjustment Setting Comparison Table, which precedes these 70 individual Adjustment descriptions, lists the Adjustments and the settings that comprise the 'Hard' group.

### **▲ 66 Install Extra Hard**

The operator can change the game play difficulty adjustments to a combination that is much more difficult than the Factory Settings. The Game Adjustment Setting Comparison Table, which precedes these 70 individual Adjustment descriptions, lists the Adjustments and the settings that comprise the 'Extra Hard' group.

### **▲ 67 Auto Burn-in**

The operator can choose the YES option for this Special Preset Adjustment to perform certain automatic testing of the game, as used in the factory. It does not affect the game operation, but merely provides for a cycle testing of most of the game's mechanisms.

### ▲ 68 Clear Coins

The operator can request the clearing of the coinage audits (Au 01 through 04) by selecting (via the Start button) the YES option, as shown in the player 4 display. This adjustment zeroes the counters tallying the number of coins through each slot, the Paid Credits counter, and the Credits display.

After the YES option is displayed, the operator must press the ADVANCE button. The game then displays DONE to show that the coinage audits have been reset to zero.

### ▲ 69 Clear Audits

The operator can request the clearing of the non-coinage audits (Au 05 through 55) by selecting (via the Start button) the YES option, as shown in the player 4 display. This Adjustment zeroes the counters tallying the remaining Audit factors. Please note that this does NOT affect the Automatic Replay Percentaging data nor the automatic High Score Reset counter.

After the YES option is displayed, the operator must press the ADVANCE button. The game then displays DONE to show that the non-coinage audits have been reset to zero.

### ▲ 70 Install Factory

The operator can request the game (via the Start button) to provide the normal Factory Settings, essentially restoring the game to its 'factory condition'. The operator must select the 'YES' option for this adjustment. This Adjustment clears all Audits, resets all Game Adjustments to the respective Factory Settings, and provides a restart of the Auto Replay (Ad 01). After selecting the YES option, the operator must press the ADVANCE button. The game then displays FACTORY SETTING.

Closing of the coin door before appearance of the FACTORY SETTING message or a problem in the Memory Protect Circuit will cause the game to display ADJUST FAILURE.

A loss of battery power or improper treatment of the Game Adjustments will cause the game to attempt to restore Factory Settings. The game announces the results of this reset process with the appropriate message, FACTORY SETTING or ADJUST FAILURE.



# Resetting the High Scores

The challenge of exceeding the High Score (either the factory setting or a higher score by another player) is the goal of any pinball game players. To keep a pinball game challenging requires a method of resetting the High Score value for those occasions when a skilled player registers a truly excellent score. Other players note this score and may decide not to play simply because their skill is not adequate to exceed an extremely high score.

For *POOL SHARKS*, in fact, three methods of resetting the High Score values are available. The simplest method involves allowing Game Adjustment Item Ad 22 to reset the High Score values automatically after the specified number of plays designated by the operator. The second method requires pressing the High Score Reset switch on the inside of the coin door in the Attract Mode. This action simply erases the previous high score values and replaces them with the Backup High Score values. The third method establishes new values replacing the factory setting values or previous operator setting values; it requires performing the following steps:

1. Using AUTO-UP or MANUAL-DOWN, reach item Ad 14 (and items Ad 15, 16, and 17, if desired). The High Score value of the factory setting (or previous operator-adjusted setting) appears in the Player 1 display. If this value is satisfactory, go to step 4 below.
2. If you wish to increase the High Score value from that displayed in the Player 1 display, use AUTO-UP, and press the Start button, until the desired value shows in the Player 1 display.
3. If you wish to decrease the High Score value, use MANUAL-DOWN, and press the Start button, until the desired value shows in the Player 1 display.
4. Using AUTO-UP, press and hold down ADVANCE, until the Player 3 display shows Ad 70. Press ADVANCE once, to return to Game-Over Mode.
5. Press the High Score Reset switch (on coin door), and listen for the sound signifying that the score reset action is complete. Observe player score displays (Player 1, Player 2, etc.) to verify that the new High Score values are displayed.

**NOTE:**

When you reset the High Scores for *POOL SHARKS*, 8 Ball and 9 Ball play high scores are reset at the same time.

---

# Game Pricing

## PRICING MADE EASY

Game Adjustment Item Ad 24 allows the operator an easy method of setting the pricing functions. Pressing the Start button allows the operator a choice of one of the 16 "Standard" Settings, with associated automatic pricing (Player 1 and 2 displays show the Country identifier, with a number for a country having more than one "Standard" Setting; player 3 and 4 displays show the games per coin(s) information). In the Pricing Table, each "Standard" Setting is denoted by a Country Identifier. Automatic Pricing causes each of the other pricing items (columns 25 through 30) to change to the value shown in the table for that selected "Standard" Setting. In the table where the word "CUSTOM" appears, the owner/operator must enter the values shown (columns 25 through 30) to obtain the games per coin factor shown in the Games/Coin column of the table. To make these setting adjustments, the owner/operator must press the Start button until the words "CUSTOM COINAGE" appear in the player score displays.

### POOL SHARKS Pricing Table

Country	Coin Chute			Games/Coin	Ad 24 Display	Pricing Functions					
	Left	Center	Right			25	26	27	28	29	30
USA and Canada	25¢	-	25¢	1/25¢, 4/\$1 <sup>2</sup>	U.S.A. 1	01	04	01	01	00	00
				1/50¢, 2/75¢, 3/\$1 <sup>1,2</sup>	U.S.A. 2	03	12	03	04	00	00
				1/50¢, 2/\$1 <sup>2</sup>	U.S.A. 3	01	04	01	02	00	01
				1/25¢, 3/\$1 <sup>2</sup>	U.S.A. 4	01	00	01	02	04	01
				1/25¢, 3/50¢, 6/\$1	CUSTOM	01	04	01	01	02	00
				1/25¢, 5/\$1	CUSTOM	01	00	01	01	04	00
				1/50¢ ; Add'l game: 25¢	CUSTOM	98	00	98	99	00	00
Austria	5 Sch	10 Sch	10 Sch	1/2x5 Sch, 3/2x10 Sch <sup>2</sup>	AUSTRIA	01	02	02	02	04	01
	5 Sch	-	10 Sch	2/5 Sch, 5/10 Schilling	CUSTOM	02	00	05	01	00	00
	1 Sch	5 Sch	10 Sch	2/5x1 Sch, 2/5 Sch, 5/10 Sch	CUSTOM	02	10	25	05	00	00
Australia	20¢	-	\$1	1/3x20¢, 2/\$1 <sup>2</sup>	AUSTRAL.	02	00	10	05	00	00
United Kingdom	10 P	50 P	1£	1/2x10 P, 3/50 P, 7/1£ <sup>2</sup>	U.K.	03	15	30	05	30	00
	10 P	50 P	20 P	1/10 P, 5/50 P, 2/20 Pence	CUSTOM	03	15	30	05	30	00
Switzerland	1 F	2 F	5 F	1/1 F, 3/2 F, 7/5 Franc <sup>2</sup>	SWISS	01	03	07	01	00	00
	1 F	-	2 F	1/1 F, 3/2 F	CUSTOM	03	00	06	02	00	00

**POOL SHARKS Pricing Table (continued)**

Country	Coin Chute			Games/Coin	Ad 24 Display	Pricing Functions					
	Left	Center	Right			25	26	27	28	29	30
Belgium	20 F	20 F	20 F	1/4 x 5F, 1/1 x 20F, 3/1 x 50F	BELGIUM	03	12	30	10	00	00
	5 F	-	20 F	1/2x5 F, 2/20 Franc	CUSTOM	01	00	04	02	00	01
	5 F	20 F	20 F	1/2x5 F, 2/20 F, 2/20 F	CUSTOM	01	04	04	02	00	01
	5 F	5 F	20 F	1/2X5 F, 1/2X5 F, 2/20 F	CUSTOM	01	01	04	02	00	01
West Germany	1 DM	2 DM	5 DM	1/1 DM, 2/2 DM, 7/5 DMark <sup>2,3</sup>	GERMAN1	06	12	30	05	30	00
				1/1 DM, 2/2 DM, 6/5 DM <sup>1,2</sup>	GERMAN2	06	12	30	05	00	00
				1/1 DM, 3/2 DM, 9/5 DM	CUSTOM	09	18	45	05	00	00
				1/2x1 DM, 1/2 DM, 3/5 DM	CUSTOM	03	06	15	05	00	00
				2/1 DM, 5/2 DM, 14/5 DM	CUSTOM	13	26	65	05	65	00
Netherlands	1 Hfl	2.5 Hfl	2.5 Hfl	1/1 Hfl, 3/2.5 Holland Florin <sup>2</sup>	NETHERL	06	15	15	05	00	00
	25c	-	1 G	1/25c, 5/1 Guilder	CUSTOM	01	00	05	01	00	00
	1 G	-	1 G	1/1 Guilder <sup>2</sup>	HOLLAND	01	00	01	01	00	00
Sweden	5 Kr	5 Kr	5 Kr	1/5 Krona <sup>2</sup>	SWEDEN	01	01	01	01	00	00
	1 Kr	-	1 Kr	1/2x1 Krona	CUSTOM	01	04	01	02	00	01
France	1 F	5 F	10 F	1/3x1 F, 2/5 F, 5/10 Franc <sup>1,2</sup>	FRANCE	02	10	20	05	20	00
	1 F	5 F	10 F	1/2x1 F, 3/5 F, 7/10 Franc	CUSTOM	03	15	30	05	30	00
	5 F	10 F	10 F	1/5 F, 3/10 F, 7/2x10 Franc	CUSTOM	03	15	30	10	60	15
	5 F	10 F	10 F	2/5 F, 4/10 F, 9/2x10 Franc	CUSTOM	02	10	20	05	40	10
	5 F	10 F	10 F	2/5 F, 5/10 F, 11/2x10 Franc	CUSTOM	01	05	10	02	20	05
Italy	500 L	500L	500 L	1/500 L, 1/2 <sup>2</sup> x 200L, 3/2 x 500L	ITALY	06	00	15	01	10	00
Spain	25 P	-	100P	1/25 P, 5/100 Peseta <sup>2</sup>	SPAIN	05	00	20	04	00	00
	25 P	-	100P	1/25 P, 4/100 Peseta	CUSTOM	01	00	04	01	00	00
	25 P	-	100P	1/2x25 P, 2/100 Peseta	CUSTOM	01	00	04	02	00	00
	25 P	-	100P	1/2x25 P, 3/100 Peseta	CUSTOM	03	00	12	04	00	06
Japan	100 ¥	-	100 ¥	1/100 Yen <sup>2</sup>	JAPAN	01	00	01	01	00	00
	-	100 ¥	-	2/100 ¥	CUSTOM	01	04	01	02	00	01
Antilles, Netherl.	25c	-	1 G	1/25c, 4/1 Guilder <sup>2</sup>	ANTILLES	01	01	04	01	00	00
Chile	Token	-	Token	1/1 Token <sup>2</sup>	CHILE	01	04	01	01	00	00
Denmark	1 Kr	5 Kr	10 Kr	1/2x1 Kr, 3/5 Kr, 7/10 Krone <sup>2</sup>	DENMARK	03	15	30	05	30	00
Finland	1 Mka	-	5 Mka	1/2x1 Mka, 3/5 Markka <sup>2</sup>	FINLAND	03	00	15	05	00	00
New Zealand	20c	-	20c	1/3x20c <sup>2</sup>	N. Z.	01	00	01	03	00	01
Norway	1 Kr	-	1 Kr	1/2x1 Kr, 3/5x1 Krone <sup>2</sup>	NORWAY	01	00	01	02	05	00
Argentina	10c	10c	10c	1/1 Token <sup>2</sup>	ARG.	01	01	01	01	00	00
Greece	10D	20D	50D	1/2x10D, 1/20D, 3/50 Drachma <sup>2</sup>	GREECE	03	06	15	05	00	00

**Notes:**

1. Factory Default. 2. Standard Setting - Change by pressing Credit button. 3. Other functions are also affected; see the explanations for Adjustment Items 53 through 58.

## CUSTOM PRICING

Adjustment Item 24 must be set to the Custom Coinage Setting (player 1 and 2 displaying CUSTOM COINAGE) to enable the operator to enter desired custom pricing selections for Items 25 through 30, based on the Pricing Table. Item 25 is the left coin chute multiplier. Item 26 is the center coin chute multiplier. Item 27 is the right coin chute multiplier. Item 28 is the number of coin units equal to one Credit. (A Credit is usually equal to one game.)

The calculation of the ratio of Games : Price uses the ratio equation of  $X : VC$  , where:

$X$  = Coin Chute Multiplier (Item 25, 26, or 27 in Pricing Table);

$V$  = Value of coin;

$C$  = Coin units equivalent to one Credit (Item 28).

For example, for 25¢ chutes at the factory setting, substituting values in the Games : Price ratio calculation gives  $1 : 25 \times 1$ , or one game for 25¢.

## UNITS REQUIRED FOR BONUS CREDIT

Item 29 is the number of coin units that must pass through the coin chute(s) before an additional Credit (game) is posted (displayed). At the factory setting, the number in this item is 00. (This 00 means that NO bonus credit [free game] is awarded, although purchase of more than one game at a time occurs.)

## MINIMUM COIN UNITS

Item 30 determines the number of coin units that must pass through the coin chute(s) before play may begin. The Factory Setting for this item is 00. (This 00 means that the Minimum Coin Units feature (Item 30) is disabled; a 01 setting also means that this feature is still disabled, yet the Credits message display should display fractional coin units.)

---

---

# Test/Diagnostic Procedures

*POOL SHARKS* provides a series of diagnostic tests to aid the operator in determining game condition (that is, whether the game's features and highlights are operating satisfactorily). These tests activate virtually all the electronic and electromechanical devices comprising the game, so that the operator can readily locate a malfunctioning device or simply verify that all devices are working properly. In order, these tests deal with the music, the displays, the lamps, the solenoids, the switches and the A/C select relay (C-side test).

In addition to the diagnostic testing, a feature called the Auto Burn-in Mode is available. Activating this mode enables the operator to observe the game while all of the diagnostic tests, except the switch test, occur. This can be very helpful in locating 'intermittent' problems.

Activating either the entire test series or one of the individual tests requires use of the Game Adjustment/ Diagnostic switches. Open the coin door for access to these switches. To proceed to the Diagnostic Tests, the operator must simply switch the game On, set the AUTO-UP/MANUAL- DOWN switch to MANUAL-DOWN, and press the ADVANCE button.

---

## Caution

The System-11C game program greatly aids the operator and service personnel: At the beginning of the Test/Diagnostic Procedures (and also at game Turn-On), the player score displays now signal, with a message ("Press ADVANCE for Report") that at least one switch has NOT been actuated during ball play for a lengthy period of time (90 balls, or 30 games). Moreover, the Problem Reporting activity at the beginning of the Test/Diagnostic Procedures, the display of problem switches now includes ALL switches exhibiting problems. Refer to the text on Switch Tests for additional information. To proceed with the Test/Diagnostic Procedures, use AUTO-UP, and press ADVANCE.

## MUSIC TEST

1. In the Music Test, observe that the player 1 and 2 displays show the message, MUSIC TEST. Switching to AUTO-UP, observe that the message now reads MUSIC OFF, and that the player 3 score display shows 00 00. Press the Credit button to select the desired music selection: 01 - 'Main Theme' through 07 - CVSD Speech (the selections repeat). Adjust the volume control for proper sound level for the game location.
2. Use the AUTO-UP position to proceed to the next test.

## DISPLAY TEST

1. To initiate the Display Test, press ADVANCE. Observe that player 1 and 2 displays briefly show the message, DISPLAY TEST, and that the player 3 score display shows 01 (the Display Test identifier).
2. Use AUTO-UP. Observe that all displays begin a display cycle of all 0s through all 9s, one digit at a time. Verify that the proper comma segments light during display of the odd-numbered digits. Next, a special "all segments" character 'walks' from left to right across each player score display.
3. To halt the display cycle, use MANUAL-DOWN. Then, press ADVANCE to step through the sequential digit display, digit by digit, and the subsequent "all segments" characters display test. Use AUTO-UP to resume cycling, and to proceed to the next test.

## LAMP TESTS

### 1. All Lamps

(From Display Test) To initiate the first Lamps Test, press ADVANCE. Observe that the Player 1 and 2 displays show the message, ALL LAMPS, and that the Player 3 display shows 02 (All Lamps Test identifier) and that all feature lamps (playfield and backbox) blink on and off. (Note, however, that the General Illumination lamps remain lighted steadily.) To locate the wiring associated with a particular feature lamp, refer to the Lamp-Matrix Table. CPU Board connections at jacks 1J6 (columns) and 1J7 (rows) are also listed in the table.

### 2. Single Lamps

From the All Lamps test, using AUTO-UP, press ADVANCE to initiate the Single Lamps Test. The Player 1 and 2 displays initially show the message, SINGLE LAMPS, and the Player 3 display shows 03. Then, the Player 3 display shows 04 01, and the Player 1 and 2 displays change to show "CAPTIVE CHALK", the name of the lamp currently blinking. Press the Start button to proceed through an ascending series of designator numbers (01 through 64), with the Player 1 and 2 displays showing the individual lamp's name. (To proceed through a descending series of lamp identifiers, use MANUAL-DOWN.) Press and hold the Start button to proceed rapidly to the desired lamp.

## POOL SHARKS Lamp Matrix

column	1 Q66	2 Q64	3 Q62	4 Q60	5 Q58	6 Q56	7 Q54	8 Q52
row	YEL-BRN 1J7-1	YEL-RED 1J7-2	YEL-ORN 1J7-3	YEL-BLK 1J7-4	YEL-GRN 1J7-6	YEL-BLU 1J7-7	YEL-VIO 1J7-8	YEL-GRY 1J7-9
1 Q80 RED-BRN 1J6-1	Captive Chalk 1	Captive Million 9	Drop Target H 17	Top Stand-up Target 25	Right 9 Ball Shot 33	Bonus 2X 41	Ball 1 49	Ball 9 57
2 Q81 RED-BLK 1J6-2	Captive 30K 2	Rack 1 10	Drop Target O 18	Middle Stand-up Target 26	Left 8 Ball 34	Bonus 3X 42	Ball 2 50	Ball 10 58
3 Q82 RED-ORN 1J6-3	Captive 50K 3	Rack 2 11	Drop Target T 19	Bottom Stand-up Target 27	Right 8 Ball 35	Bonus 4X 43	Ball 3 51	Ball 11 59
4 Q83 RED-YEL 1J6-5	Captive 80K 4	Rack 3 12	Drop Target S 20	Left Lane 28	Extra Ball Lit 36	Bonus 5X 44	Ball 4 52	Ball 12 60
5 Q84 RED-GRN 1J6-6	Captive 100K 5	Left Drain 13	Drop Target H 21	Middle Lane 29	Trick Shot 37	Jackpot 45	Ball 5 53	Ball 13 61
6 Q85 RED-BLU 1J6-7	Captive 200K 6	Left Return 14	Drop Target O 22	Right Lane 30	Select 8 Ball 38	Shark 1 46	Ball 6 54	Ball 14 62
7 Q86 RED-VIO 1J6-8	Captive 300K 7	Right Return 15	Drop Target T 23	Right Bank Shot 31	Select 9 Ball 39	Shark 2 47	Ball 7 55	Ball 15 63
8 Q87 RED-GRY 1J6-9	Captive 500K 8	Right Drain 16	Left Bank Shot 24	Left 9 Ball Shot 32	Pool Table Lamp 40	Shark 3 48	Ball 8 56	Shoot Again 64

### SOLENOID TEST

1. (From Lamp Test) Using AUTO-UP, press ADVANCE. Observe that the Player 1 and 2 displays show the message, COIL TEST, the Player 3 display shows 04 (Solenoid Test identifier). Next, the Player 3 display shows a series of test steps from 01 through 22, while the Player 1 and 2 displays show the solenoid/circuit name. During each of these steps, pulsing of the respective solenoid/circuit occurs. The test cycles repeatedly, unless halted via the MANUAL-DOWN switch. Refer to the Solenoid Table for solenoid numbers and wiring information. CPU Board connections at 1P11, 1P12, and 1P19 are also listed in the table.

To continuously pulse a single solenoid/circuit, use MANUAL-DOWN. Press ADVANCE to sequence through the switched, controlled, and special solenoids. Use AUTO-UP to resume test cycling, and to proceed to the next test.

## POOL SHARKS Solenoid Table

Sol. No.	Function	Solenoid Type	Wire Color	Connections		Driver Tmstr	Solenoid Part Number Flashlamp Type	
				CPU Bd	Playfield/ Cabinet		d= Display Bd; p=Playfield	
01A <sup>3</sup>	Outhole	Switched	Vio-Brn	1P11-1	5J1-9: 5J4-9 (A)	Q33	AE-23-800	
01C <sup>3</sup>	Captive Ball Flasher	Switched	Blk-Brn	(Gry-Brn)	5J5-9 (C)	Q33	#906 flashlamp	1p
02A <sup>3</sup>	Ball Shooter Lane Feeder	Switched	Vio-Red	1P11-3	5J1-7: 5J4-8 (A)	Q25	AE-23-800	
02C <sup>3</sup>	Shark Flasher	Switched	Blk-Red	(Gry-Red)	5J5-8 (C)	Q25	#89 flashlamp	1p
03A <sup>3</sup>	Left Drop Target	Switched	Vio-Orn	1P11-4	5J1-6: 5J4-7 (A)	Q32	AE-26-1200	
03C <sup>3</sup>	Right Drop Target Flasher	Switched	Blk-Orn	(Gry-Orn)	5J5-7(C)	Q32	#89 flashlamp	1p
04A <sup>3</sup>	Right Drop Target	Switched	Vio-Yel	1P11-5	5J1-5: 5J4-6 (A)	Q24	AE-23-800	
04C <sup>3</sup>	Left Drop Target Flasher	Switched	Blk-Yel	(Gry-Yel)	5J5-5 (C)	Q24	#89 flashlamp	1p
05A <sup>3</sup>	Eject Hole	Switched	Vio-Grn	1P11-6	5J1-4: 5J4-5 (A)	Q31	AE-23-800	
05C <sup>3</sup>	Standups Flasher	Switched	Blk-Grn	(Gry-Grn)	5J5-4 (C)	Q31	#89 flashlamp	1p
06A <sup>3</sup>	Diverter	Switched	Vio-Blu	1P11-7	5J1-3: 5J4-4 (A)	Q23	AE-23-800	
06C <sup>3</sup>	Right Flipper Flasher	Switched	Blk-Blu	(Gry-Blu)	5J5-3 (C)	Q23	#89 flashlamp	1p
07A <sup>3</sup>	Knocker	Switched	Vio-Blk	1P11-8	5J1-2: 5J4-2 (A)	Q30	AE-23-800	
07C <sup>3</sup>	Left Flipper Flasher	Switched	Blk-Vio	(Gry-Vio)	5J5-2 (C)	Q30	#89 flashlamp	1p
08A <sup>3</sup>	Shark Eject Hole	Switched	Vio-Gry	1P11-9	5J1-1: 5J4-1 (A)	Q22	AE-23-800	
08C <sup>3</sup>	Marquee Flasher	Switched	Blk-Gry	(Gry-Blk)	5J5-1 (C)	Q22	#89 flashlamps	1b
09	Back Left Flasher	Controlled	Brn-Blk	1P12-1	5J2-9: 5J6-9: 2J4-3	Q17	#89 flashlamp	1p
10	Playfield Gnl Illum Relay	Controlled	Brn-Red	1P12-2	5J2-8: 5J6-8: 2J4-5	Q9	5580-09555-01	4a
11	Insert Illum Relay	Controlled	Brn-Orn	1P12-4	5J2-6: 5J6-7: 2J4-6	Q16	5580-09555-01	4a
12	A/C Select Relay	Controlled	Brn-Yel	1P12-5	5J2-5	Q8	5580-09555-01	5
13	Right Shark	Controlled	Brn-Grn	1P12-6	5J2-4: 5J6-5	Q15	SM2-35-4000	
14	Not Used	Controlled	Brn-Blu	1P12-7	5J2-4: 5J6-3	Q7		
15	Back Right Flasher	Controlled	Brn-Vio	1P12-8	5J2-2: 5J6-2	Q14	# 89 flashlamp	
16	Backglass Tiger	Controlled	Brn-Gry	1P12-9	5J2-1: 5J6-1	Q6	#89 flashlamp	
17	Left Jet Bumper	Special #1	Blu-Brn	1P19-7	5J3-7: 5J7-7	Q75	AE-23-800	
18	Left Kicker (sling)	Special #2	Blu-Red	1P19-4	5J3-6: 5J7-6	Q71	AE-26-1500	
19	Right Jet Bumper	Special #3	Blu-Orn	1P19-3	5J3-3: 5J7-3	Q73	AE-23-800	
20	Right Kicker (sling)	Special #4	Blu-Yel	1P19-6	5J3-4: 5J7-5	Q69	AE-26-1500	
21	Center Jet Bumper	Special #5	Blu-Grn	1P19-8	5J3-2: 5J7-2	Q77	AE-23-800	
22	Not Used	Special #6	Blu-Blk	1P19-9	5J3-1: 5J7-1	Q79		
-	<u>Right Flipper</u>	-	Orn-Vio (Blu-Vio) <sup>2</sup>	1P19-1	2J5-5: 2J10-7 (2J10-1: 2J8-15)	-	FL11630/50VDC	
-	<u>Left Flipper</u>	-	Orn-Gry (Blu-Gry) <sup>2</sup>	1P19-2	2J5-4: 2J10-8 (2J10-2: 2J8-4)	-	FL11630/50VDC	

**Notes** 1. Wire colors, except flipper Orn-Vio and Orn-Gry, are ground connections (to coil terminal with unbanded end of diode). Flipper Orn-Vio and Orn-Gry wires connect from CPU Board to flipper switch. 2. Flipper connections shown in braces are from flipper switch to flipper coil. 3. "A" circuits are pulsed, when Sol. 12 is de-energized; "C" circuits are pulsed, with Sol. 12 energized. Wire colors in brackets are those from respective A and C terminals corresponding to the J1-terminal connection listed for the Aux Power Driver Bd, which controls the device pulsing by Sol. 12. 4. Relay is mounted on Relay Bd, (4a) p/n C-11998-1; (4b) C-11902-1. 5. Relay is mounted on Aux Power Driver Bd, D-12247 in the backbox.





## SWITCH TESTS

### 1. Switch Levels

(From Solenoid Test) To initiate the Switch Levels Test, press ADVANCE. Observe that the Player 1 and 2 displays show the message, SWITCH LEVELS, and the Player 3 display shows 05 (Switch Levels Test identifier). Normally, the right portion of the Player 3 display remains blank, indicating that no switch is actuated.

If, however, a switch is actuated (possibly stuck closed), the Player 3 display shows that switch's number, while the Player 1 and 2 displays indicate the switch's name. A sound also accompanies the displays. (This is another facet of the *POOL SHARKS* system-11C's switch testing capability.) If more than one switch is closed, a series of displays show each actuated switch's name and number.

(In addition, either of these problems could result in the reporting of a switch problem (or problems) at game Turn-On or at the beginning of Diagnostic Tests.)

As soon as the operator opens a closed switch, its name and number are eliminated from the Switch Levels display series. For *POOL SHARKS*, switch numbers can range from 01 through 64. Refer to the Switch-Matrix Table for switch numbers and wiring information. CPU Board

**POOL SHARKS Switch Matrix**

column	1- Q45	2 Q49	3 Q44	4 Q48	5 Q43	6 Q47	7 Q42	8 Q46
row	GRN-BRN 1J8-1	GRN-RED 1J8-2	GRN-ORN 1J8-3	GRN-YEL 1J8-4	GRN-BLK 1J8-5	GRN-BLU 1J8-7	GRN-VIO 1J8-8	GRN-GRY 1J8-9
1	Plumb Bob Tilt 1	Not Used 9	Drop Target H 17	Top Stand-up Target 25	Diverter 33	Ball Shooter 41	Not Used 49	Right Flipper 57
2	A/C Relay Position 2	Outhole 10	Drop Target O 18	Middle Stand-up Target 26	Top Eject Hole 34	Right Return Ramp 42	Not Used 50	Left Flipper 58
3	Credit Button 3	Trough 1 Right 11	Drop Target T 19	Bottom Stand-up Target 27	Right Bumper 35	Left Return Ramp 43	Not Used 51	Not Used 59
4	Right Coin Slot 4	Trough 2 Left 12	Drop Target S 20	Left Shoot Lane 28	Left Bumper 36	Lock In Game 44	Not Used 52	Not Used 60
5	Center Coin Slot 5	Left Drain 13	Drop Target H 21	Middle Shoot Lane 29	Center Bumper 37	Not Used 45	Not Used 53	Not Used 61
6	Left Coin Slot 6	Left Return 14	Drop Target O 22	Right Shoot Lane 30	Captive Stand-up Target 38	Not Used 46	Not Used 54	Not Used 62
7	Slam Tilt 7	Right Return 15	Drop Target T 23	Shark Eject Hole 31	Left Sling 39	Not Used 47	Not Used 55	Not Used 63
8	High Score Reset 8	Right Drain 16	Enter Right Ramp 24	Enter Left Ramp 32	Right Sling 40	Not Used 48	Not Used 56	Not Used 64

connections at jacks 1J8 (columns) and 1J10 (rows) are also listed in the table.

- ▼ **Row Problems.** If a display of two (or more) switch numbers of a row occurs, although only one switch is closed, check for a short circuit to ground.
- ▼ **Multiple Switch Number Indications.** Check for a bad diode on any of the switches.
- ▼ **Column Problems.** If display of two (or more) switch numbers in a column occurs (while only one switch is actuated), check for a short circuit to ground or, a bad transistor (Q42-Q49) on the CPU Board.

Use AUTO-UP to proceed to the next test.

## 2. **Switch Edges**

From the Switch Levels Test, press ADVANCE. Observe that the Player 1 and 2 displays show the message, SWITCH EDGES; the Player 3 display shows 06 (Switch Edges Test identifier). The right portion of the Player 3 display is blank, indicating that no switch is actuated.

This test permits the operator to test whether actuating a switch provides the proper signal to the System-11C switch testing program. When actuating a switch, the operator should see the switch's name and number (in the Player 1, 2, and 3 displays, respectively). If no indication appears at the time the switch is actuated, the operator then knows that there is a malfunction associated with that switch. Using this technique, the operator can test each switch appearing in the *POOL SHARKS* switch problem reporting displays (either at game Turn-On or at the beginning of the Diagnostic Tests) to determine whether the switch can be actuated. If the switch's name and number are displayed while the operator checks its operation, the operator then knows that the reported problem with that switch is NOT currently caused by a switch malfunction. The operator can then seek other causes for the reported problem, being almost certain now that the switch did not fail. This test is also useful when the operator is adjusting the sensitivity of a particular switch's actuation mechanism.

Among the possibilities is the fact that the players have not actuated that switch because of some other problem; the operator should try to analyze what could cause the switch to be missed during game play, and remedy that problem cause. With these new tests, switch problems are, therefore, more easily isolated.

3. **Playfield or CPU Board?** To determine whether a switch problem is in the playfield or the CPU Board, remove connectors 1P8 and 1P10 from the CPU Board. Begin the Switch Test. Use a jumper wire to simulate switch actuation. For example, placing a jumper between 1J10-9 and 1J8-2 should (based on the Switch-Matrix Table) should produce an indication of switch 09 being actuated. If only one number is produced for every simulated switch actuation that occurred then the CPU is good and the problem is elsewhere.

## C-SIDE TEST

From the Switch Test, press ADVANCE. Observe that the Player 1 and 2 displays show the message, C-SIDE TEST, and that the Player 3 displays shows 07 (C-Side Test Identifier). This test confirms that the Solenoid A/C Select Relay (Sol. 12) is actually in the 'C' position (ready to power flashlamp circuits).

The Player 1 and 2 displays then change to show the 'side' of the circuit being tested, alternating the A/C Relay between "SELECTED A-SIDE" and "SELECTED C-SIDE", while the Player 4 display shows the state of the C-Side Switch. When the switch is closed, the Player 4 display shows "C-SIDE".

The message "Err" appears whenever the C-Side Switch is not operating properly. Causes of improper operation can be blown fuses (F8 or F2C) or a faulty relay on the Aux Power Driver Board; failure of the 12 or 24 volt power circuits; a switch matrix failure; or faulty connections between the circuit boards in the game's backbox (CPU Board, Aux Power Driver Board, Backbox Interconnect Board). To halt the A/C Relay's operation, press MANUAL-DOWN and press ADVANCE to activate the A/C Relay manually.

## ENDING THE DIAGNOSTIC TESTS

To end the Diagnostic Tests, reach the C-Side Test use AUTO-UP and press ADVANCE. The backbox displays should MANUAL-DOWN, and press ADVANCE to reach Adjustment Item 70 (INSTALL FACTORY). Use AUTO-UP, and press ADVANCE to go to the Attract Mode.

## AUTO BURN-IN MODE

The Auto Burn-in Mode permits the operator to check intermittent (or nonrecurring) problems associated with most portions of the game's circuitry. Repeatedly cycling through a group of tests can sometimes bring a problem, which occurs only randomly or occasionally, to exhibit itself more frequently, thereby aiding in the isolation of the problem. To activate the Auto Burn-in Mode:

1. While in the Game Adjustments, reach Ad 67 and change the Factory Setting of NO to YES, via the Start button. Set the AUTO-UP/MANUAL-DOWN switch to AUTO-UP.
2. Press ADVANCE to start the Auto Burn-in Mode. This mode repeatedly sequences through the Music Test, the Display Test, the All Lamps portion of the Lamp Test, and the Solenoid Test.
3. To halt the Auto Burn-in Mode, switch the game Off and then On. *POOL SHARKS* now starts in the Attract Mode. (If a switch problem is now reported by the displays, perform the Switch Tests again to determine the nature of the problem; then, perform necessary repairs.)

**CPU LED Indicator Codes Table**

<b>Blinks/ Flashes</b>	<b>CPU Problem</b>	<b>Explanation</b>
1	U25 RAM FAILURE	U25 RAM could not be used properly (NO other tests are performed; the game is locked here, until the game is turned off).
2	MEM. PROT. FAILURE	This message means that (A) the Coin Door may be shut; (B) the Memory Protect Switch may be stuck in the ON position; (C) the memory protect logic is protecting the memory; or (D) a U25 RAM failure is occurring. (See Note 1)
3	U51 PIA FAILURE	U51 has a malfunction. (See Note 2)
4	U38 PIA FAILURE	U38 has a malfunction. (See Note 2)
5	U41 PIA FAILURE	U41 has a malfunction. (See Note 2)
6	U42 PIA FAILURE	U42 has a malfunction. (See Note 2)
7	U54 PIA FAILURE	U54 has a malfunction. (See Note 2)
8	U10 PIA FAILURE	U10 has a malfunction. (See Note 2)
9	IRQ FAILURE	IRQ has a malfunction. It may be missing or too fast or too slow.
10	U27 ROM FAILURE	U27's internal checksums do not match. It may be a ROM failure, or its associated connections and connecting devices are causing it to appear to have a problem. (The following U26 test is skipped.)
11	U26 ROM FAILURE	U26's internal checksums do not match.
<b>Notes:</b> 1. This test assumes that the Coin Door is OPEN; it is initiated ONLY by pressing the CPU Diagnostic Switch (SW2). 2. Alternatively, its associated connections or connecting devices are causing the IC to appear to have problems.		

## SYSTEM-11C MEMORY CHIP TEST

A new feature is now included in the Memory Chip Test for System 11C. During power-up, the CPU performs a self-testing routine. When all tests are satisfactory, the game proceeds to the Attract Mode, allowing players to use the game. Whenever a portion of the testing does not produce satisfactory results, the game displays a message, before proceeding to the next portion of the testing. ONLY after all tests are satisfactory does the game allow play to begin.

In addition to the displayed message, when a test fails, LED 2 ('DIAGNOSTIC') mounted on the CPU Board can be observed to determine the probable cause of the problem. This LED blinks, or flashes, a certain number of times to identify the probable cause, as described in the CPU LED Indicator Codes Table. The operator can also reset the program by pressing the CPU Switch (SW 2) on the edge of the CPU Board.

## SYSTEM-11C SOUND CIRCUITRY TESTS

Tests of the System-11C Sound circuitry, including the Audio Board, are possible only after successful completion of the System-11C Memory Chip Test.

**Audio Board Test.** A brief check of the Audio Board (D-11581) circuitry occurs at game Turn-on; the game reports the test results by brief sounds, as follows: No sound = Audio Board is not operating, or a failure is affecting the sound circuitry (broken cable; dead amplifier; etc.); 1 sound = system OK; 2 sounds = RAM problem; 3 sounds = U4 problem; 4 sounds = U19 problem; 5 sounds=U20.

If the this test did not isolate the problem, turn the Volume Control for maximum output. Momentarily touch a powered-up AC soldering iron on the center tap of the Volume Control.

Be sure the Audio Board has +12V, -12V, +5V and Ground.

---

## CAUTION

DO NOT use a soldering iron over 40 watts. Note also that cordless soldering irons will NOT work for this test.

Hearing a low hum or a 'click' indicates that the power amplifier, the Volume Control, and the speaker are operating satisfactorily, as is the sound circuit cabling. Not hearing a sound requires repeating the test with the Volume Control turned part way down, to determine whether the Volume Control is faulty. Also, check the cable connectors for proper mating, and that no broken wires affect this circuit.

---

---

## Problem Analysis Messages

The SYSTEM 11C game program has a great capability to aid the operator and service personnel: At game Turn-on (and also at the beginning of Test/Diagnostic Procedures) after the game has been operating for an extended period, the player score displays now may signal with a message, "Press ADVANCE for Report", that the game program has detected a possible problem with the game.

To obtain details of the problem, open the coin door and press the AUTO-UP/MAUNAL-DOWN switch to MANUAL-DOWN. Press the ADVANCE button to begin displaying the message(s). The following messages apply to *POOL SHARKS*.

**Malfunction Check Switch ## (name).** This message indicates that at least one switch has not been actuated during ball play (for 90 balls or apx. 30 games) by displaying the message "Check Switch ## (name)", listing each problem switch by number and name. (The game program compensates the game play requirements affected by each disabled switch to allow 'nearly normal' play. This helps keep *POOL SHARKS* earning good profits).

To verify the problem, refer to the Test/Diagnostic Procedures text describing Switch Testing, and check each reported switch using applicable Switch Levels and Switch Edges tests. Always check switch operation using a ball to simulate game conditions. (Switch problems may often be resolved by adjusting the wire switch actuators, fixing electric problems, securing loose connectors, etc).

**Malfunction Pinball Missing.** *POOL SHARKS* normally uses one ball. The second ball is a spare. When the game is turned on this message announces that a ball is missing or stuck somewhere. When the ball is located, return it to the playfield via the Outhole. Other possibilities for this problem could be malfunctions of the Ball Trough Switches (#11, or #12) or, the Ball Shooter Switch (#14).

**Music Error.** This message means that no signals are coming from the Audio Board. Check the Audio Board for presence of *POOL SHARKS* ROMs. Also, check that the cable connecting the Audio and CPU Boards is firmly seated, and that the red line on the cable is going to the same pin on both boards. Turn the game Off, then On, to be sure only 1 'Bing' sounds. More than one 'Bing' or *no* 'Bing' indicates an Audio Board problem. Refer to text about System 11C Sound Circuitry tests for more information.

**Factory Settings.** This message indicates that the CMOS RAM has lost custom setting and has reverted to factory default settings. Pin 24 of U25 should have +5V when the game is turned on and, at least 3.8V when the game is turned off. If the voltage drops below 3.8V memory reset occurs. Check the batteries and battery holder. Be sure the batteries are good and there is no contamination on the battery holder terminals. Check D1 and D2. Turn the game OFF and, use an Ohmmeter. D1 should read 0 ohms when forward biased and infinite ohms when reversed biased. D2 should read 15 ohms when forward biased and infinite ohms when reverse biased. Check Q40. Turn the game ON, use an oscilloscope. Q40 Should have square waves on all three legs.

# Maintenance Information

## • Ball Shooter Lane Feeder

Figure 5 shows the two main lubrication points of the Ball Shooter Lane Feeder. The shaded arrows show the directions in which the Ball Shooter Lane Feeder and other parts of its related assemblies can be adjusted for proper operation. Note that there are mechanisms quite similar to this Assembly; they have the same lubrication requirements and adjustment capabilities as the Ball Shooter Lane Feeder.

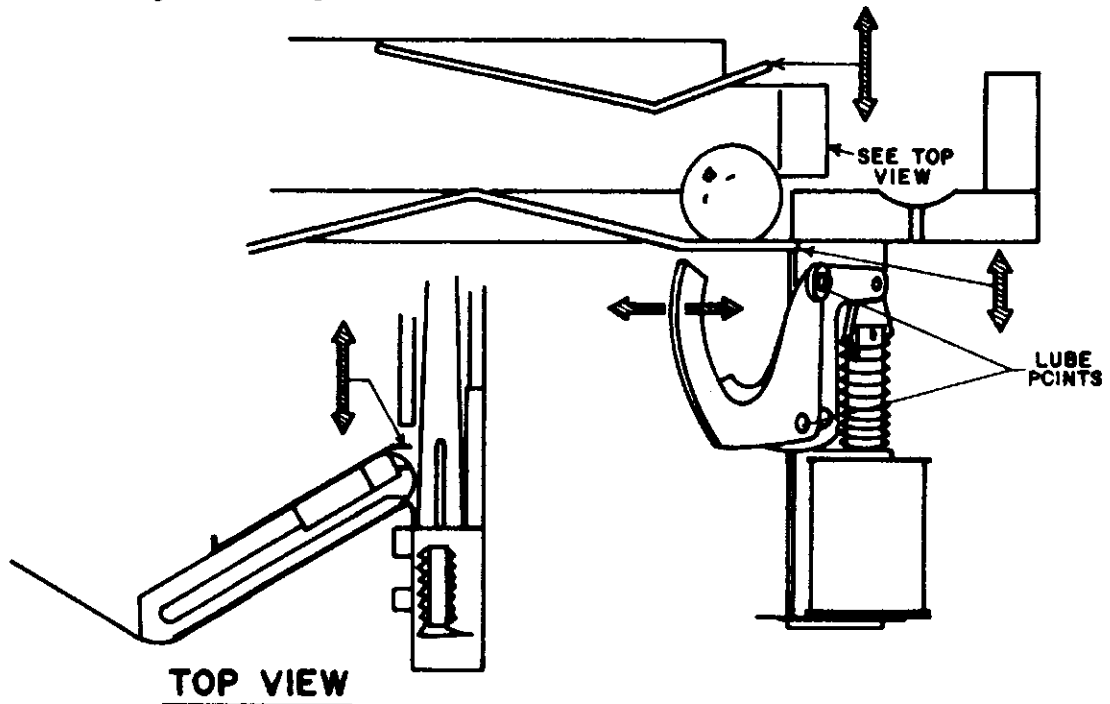


Figure 5. Adjustments and Lubrication Points, Shooter Lane Feeder

## • Left & Right Kickers

Because of the functional design (arm-actuated via solenoid plunger operation), the pivot points of the Left and Right Kickers ("Slingshots") all require lubrication as a regular servicing procedure. Mechanical adjustments are simple and somewhat similar to the Ball Shooter Lane Feeder. These mechanisms should also be checked for proper fit (snugly tight) where they attach to the playfield.



- **Playfield**

Playfield life expectancy and play can be extended by periodic cleaning. Inspect and hand polish the balls in a clean cloth. Replace chipped balls; otherwise, these balls will ruin the playfield finish in a short time. Don't use quantities of water, caustic or abrasive cleaners or cleaning pads on the playfield. Don't allow polish or wax to build-up, (waxes yellow with age and spoil the appearance of the playfield).

- **Switches**

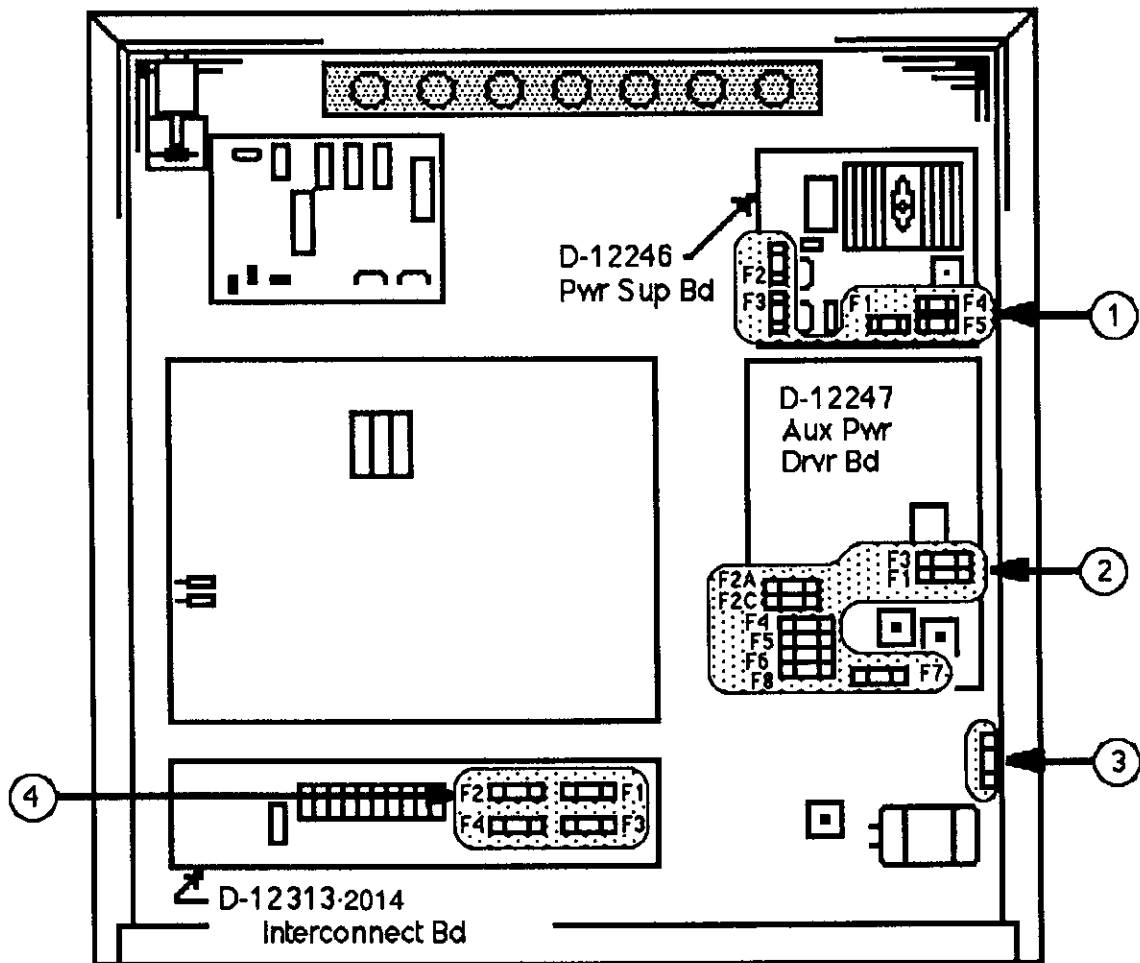
Switch contacts should be free of dust, dirt, and corrosion. Filing or burnishing most switch contacts breaks the finish and encourages corrosion. Effective contact cleaning requires gentler treatment. Gently close the contacts on a clean business card or piece of paper. Wipe the contacts until they're clean. If necessary, regap the contacts to 1/16 inch.

Flipper End-of-Stroke switch contacts must be treated differently from other switch blade contacts; they provide heavier current carrying capability than other pinball game switch contacts. Severely pitted contacts cause flippers to be weak. Smooth the pitted contact surface of the E.O.S. switch contacts with a contact file. Then, polish your work with a burnishing tool. regap the contacts if necessary, to 1/16 inch.

---

---

## Fuse Locations Diagram & Listing



### Fuse Listing

ITEM	PART NUMBER	DESCRIPTION	CIRCUIT/LOCATION
1	5731-12328-00	Fuse, 3/8A., S-B, 250V	F1; D-12246 Power Supply Board
1	5731-12327-00	Fuse, 1/8A., S-B, 250V	F2, F3; D-12246 Power Supply Board
1	5731-09432-00	Fuse, 7A S-B, 250v	F4, F5; D-12246 Power Supply Board
2	5731-09128-00	Fuse, 2-1/2A., S-B, 250v	F1, F2A, F3, F4; D-12247 Aux Pwr Driver Board
2	5731-09651-00	Fuse, 5A., S-B, 250v	F2C; D-12247 Aux Pwr Driver Board
2	5731-08665-00	Fuse, 2A., S-B, 250v	F5, F6; D-12247 Aux Pwr Driver Board
2	5731-06314-00	Fuse, 4A., S-B, 250v	F7; D-12247 Aux Pwr Driver Board
2	5731-09432-00	Fuse, 7A., S-B, 250v	F8; D-12247 Aux Pwr Driver Board
3	5730-09071-00	Fuse, 8A., S-B, 32v	+18 Vdc Lamp Ckl/ Lwr Rt B/box fuseholder (1)
4	5731-09651-00	Fuse, 5A., S-B, 250v	F1 - F4: Gen. Illum./B'box Interconnect Board
-	5730-09252-00	Fuse, 8A, Slow-Blow(S-B), 125v	Input ("high voltage") Power Line/Cabinet Box*

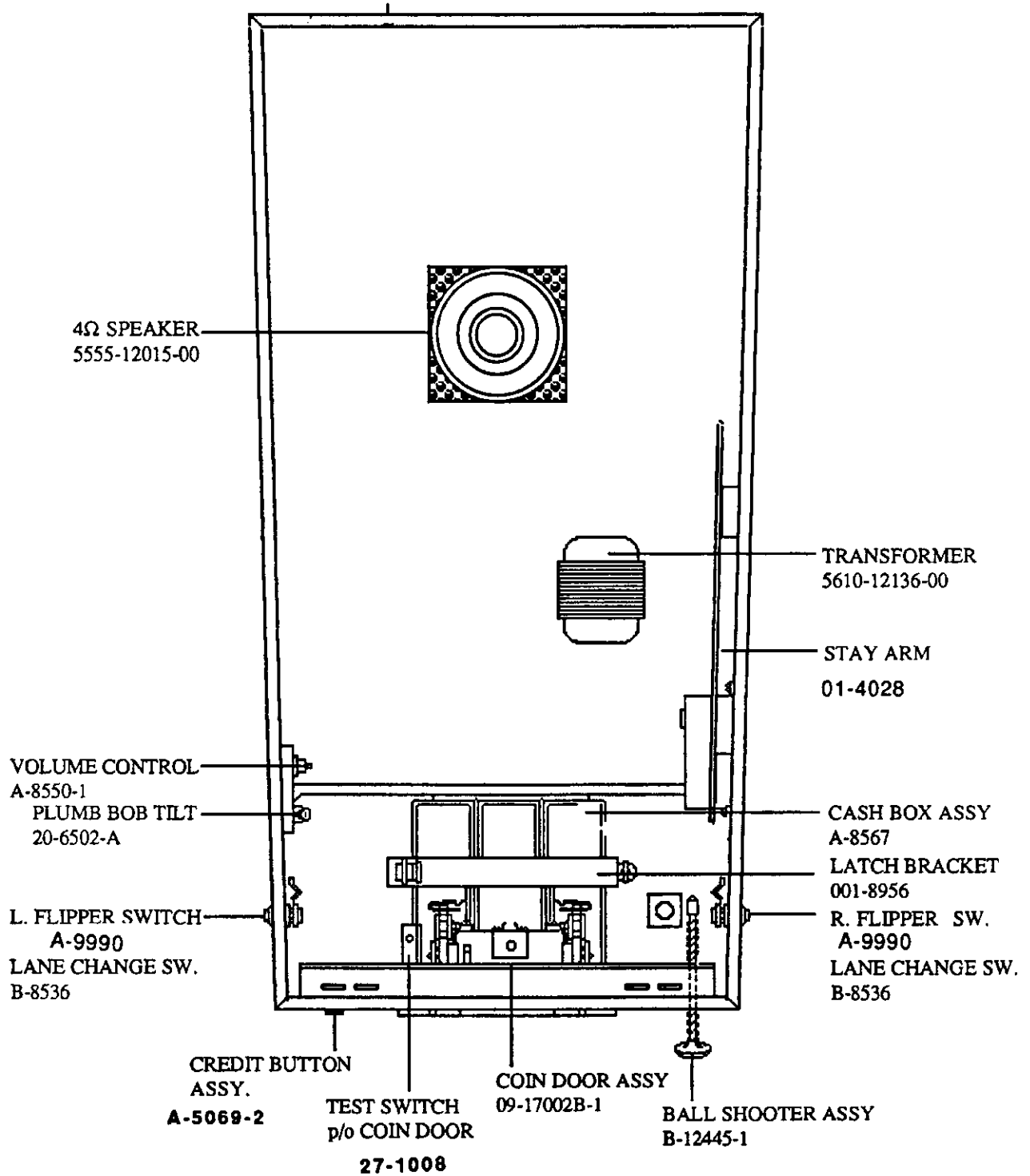
\* One 4A., S-B, 250v fuse (5731-06314-00) is provided for an overseas (220v) game installation.

S  
E  
C  
T  
I  
O  
N

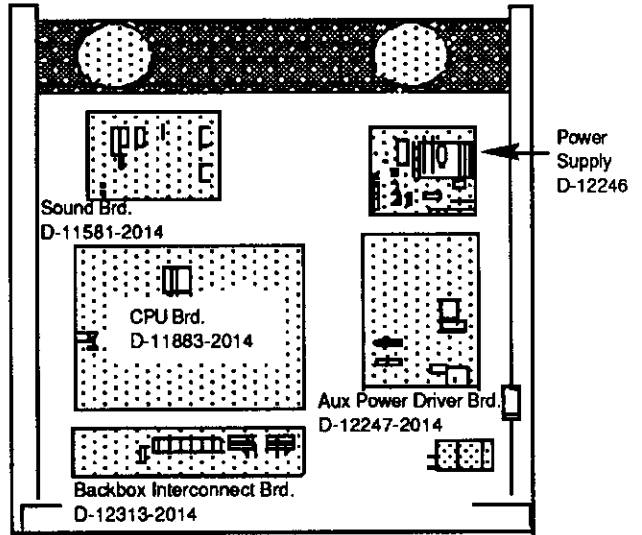
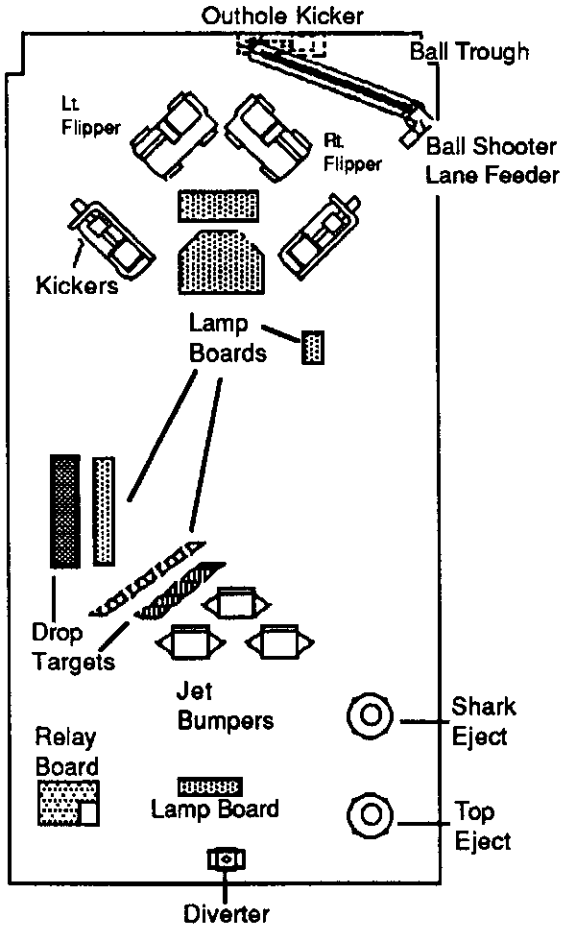
2

***Game Parts Information***

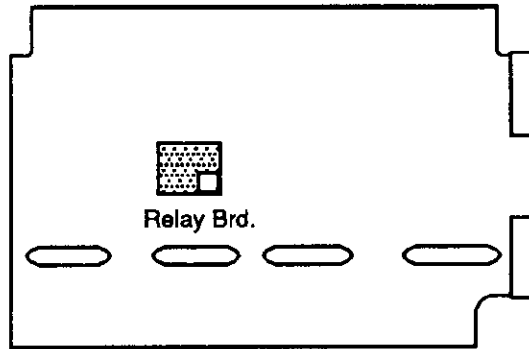
# CABINET PARTS



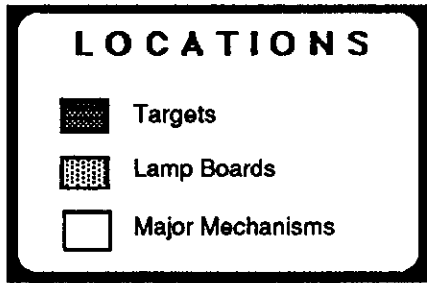
# CIRCUIT BOARD & MAJOR MECHANISMS LOCATION DIAGRAM

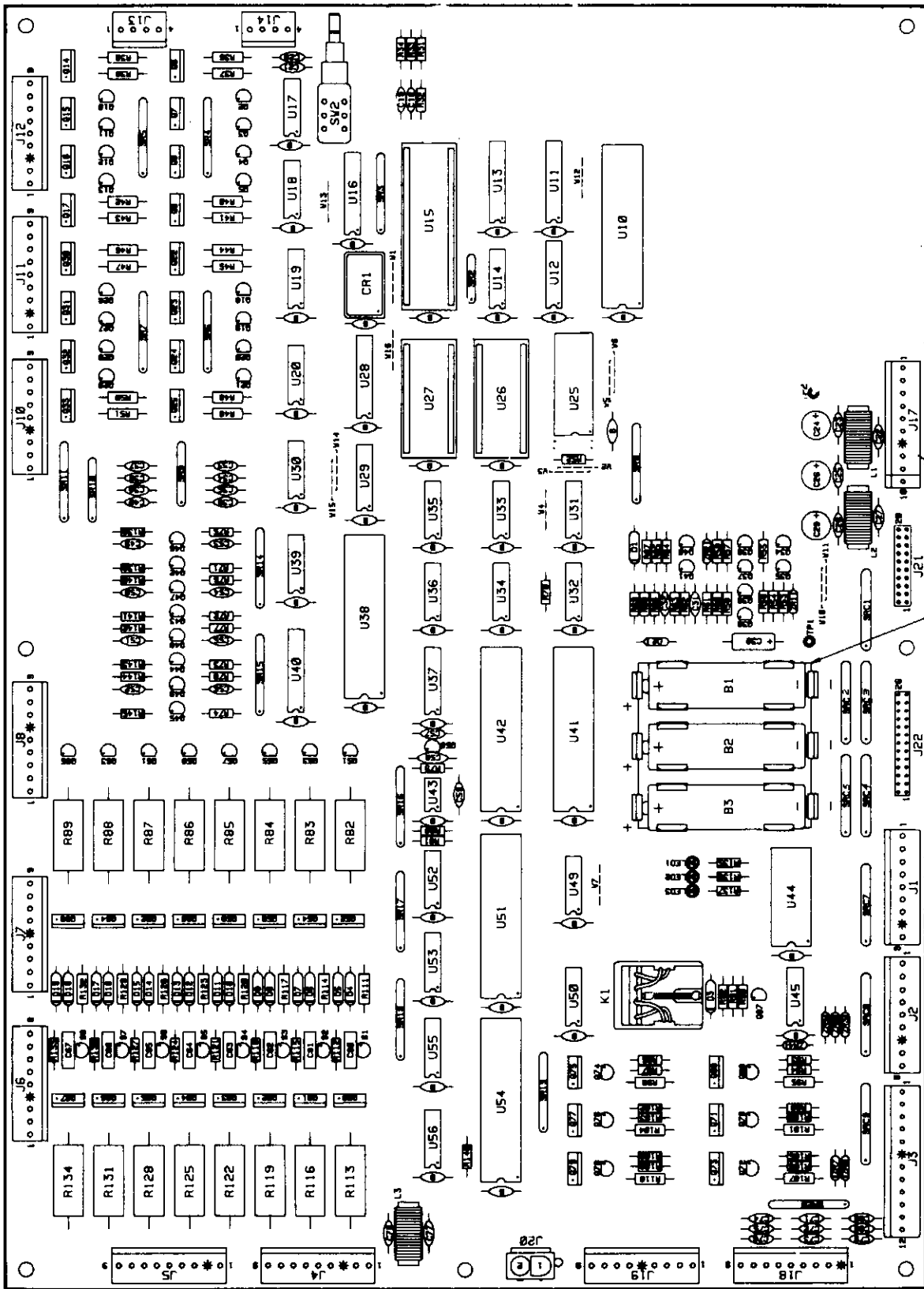


Display Panel, Rear View



Insert Board, Inner Side View





CPU BOARD (D-11883)

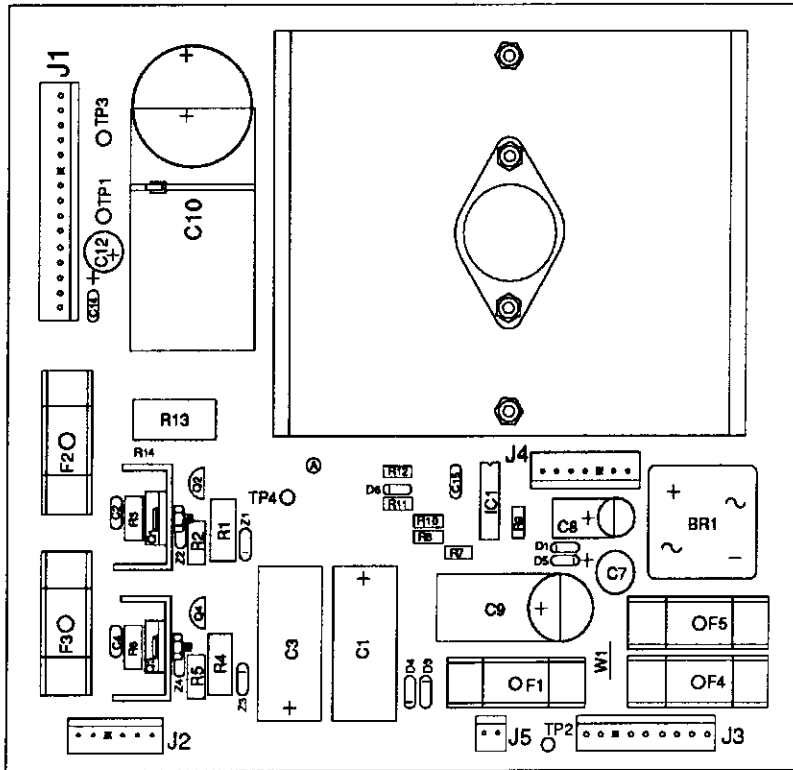
# CPU Board

p/n D-11883-2014

Part No.	Ckt Designator	Description	Part No.	Ckt Designator	Description
5764-12206-00		Bare P. C. Board			
5281-09308-00	U16	IC, Octal Bus Xcvr, 74LS245	5010-10003-00	R62, R63	Resistor, 390Ω, 5%, 1/4w, C. F.
5430-08972-00	U9, U10, U38, U41, U42, U51, U54	IC, PIA, MC6820/6821	5010-10171-00	R67	Resistor, 56Ω, 5%, 1/4w, C. F.
5340-10139-00	U25	IC, 2K x 8 CMOS Static RAM	5010-10170-00	R69	Resistor, 47Ω, 5%, 1/4w, C. F.
5280-09010-00	U44	IC, 4-16 Decoder, 74154	5010-09160-00	R59, R61, W12, W13	Resistor, 220Ω, 5%, 1/4w, C. F.
5281-09246-00	U7, U8, U12	IC, 2-4 Decoder, 74LS139	5010-09416-00	R33, R34, R71-R78, R135-R137	Resistor, 470Ω, 5%, 1/4w, C. F.
5075-09406-00	ZR3 - ZR8	Diode, Zener, 6.2v, 0.5w	5010-10631-00	R111, R114, R117, R120, R123, R126, R129, R13	Resistor, 1.2KΩ, 5%, 1/2w, C. F.
5164-10998-00	Q42 - Q49	Transistor, NPN, 2N5550, TO-92	5019-09783-00	SR18	SIP, 9R, 10-pin, 6.8KΩ, .125w/R, 5%
5431-09449-00	U43	IC, Timer, MC1455	5019-09362-00	SR3, SR15, SR17, SR19, SR20	SIP, 9R, 10-pin, 4.7KΩ, .125w/R, 5%
5310-09236-00	U29	IC, 14-b Counter, 4020	5019-09808-00	SR4, SR6, SR11	SIP, 9R, 10-pin, 560Ω, .125w/R, 5%
5281-09743-00	U32	IC, Quad 2-Input AND, 74LS08	5019-09785-00	SR16	SIP, 9R, 10-pin, 2.2KΩ, .125w/R, 5%
5281-09247-00	U14	IC, Quad 2-Input NOR, 74LS02	5019-10472-00	SR14	SIP, 9R, 10-pin, 3.3KΩ, .125w/R, 5%
5281-09235-00	U36	IC, Triple 3-Input NAND, 74LS10	5019-09669-00	SR8	SIP, 9R, 10-pin, 1.0KΩ, .125w/R, 5%
5280-09013-00	U36	IC, Hex Inverter, 7404	5019-09780-00	SR8, SR10	SIP, 4R, 8-pin, 1KΩ, 5%
5281-09499-00	U31, U34	IC, Quad 2-Input NAND, 74LS00	5019-09786-00	SR1, SR2	SIP, 5R, 8-pin, 4.7KΩ, .125w/R, 5%
5281-10014-00	U33	IC, Dual 4-Input NAND, 74LS20	5019-09792-00	SR5, SR7	SIP, 9R, 10-pin, 2.7KΩ, .125w/R, 5%
5281-09486-00	U28	IC, Octal D Flip-flop, 74LS374	5060-10396-00	SRC1 - SRC5, SRC7 - SRC9	SIP, 8R, 8C, 10-pin, 4.7KΩ & 470pfd
5281-09745-00	U37	IC, 3-8 Decoder, 74LS138			
5281-09867-00	U11, U13, U40	IC, Octal Buffer, 74LS244	5043-08980-00	C14, C17-C21, C31, C32, C49-C56, C59, + 54 Bypass, marked B	Capacitor, 0.01 μfd, 50v(+80,-20%), Axial
5280-08973-00	U17-U20, U52, U53	IC, Quad 2-Input AND, 7408	5043-09845-00	C22, C23, C25, C27, C28	Capacitor, 1K pfd, 50v(±20%), Axial
5280-08974-00	U55, U56	IC, Hex Inverter, 7406	5043-08996-00	C9, C70-75, C77, C78	Capacitor, 0.1 μfd, 50v(±20%), Axial
5310-09155-00	U30, U39	IC, Quad 2-Input NAND, MC14011	5040-10974-00	C24, C26, C29	Capacitor, 100 μfd, Electr., 25v(+50,-10%), Axial
5280-08948-00	U45, U50	IC, Quad 2-Input NOR, 7402	5045-09796-00	C60-C67	Capacitor, 0.1 μfd, Polycarbonate Rad., 100v(±10%)
5280-09309-00	U49	IC, Hex Buffer, 7407	5043-09065-00	C33-C40, C68, C69, C76, C10, C12	Capacitor, 470 pfd, 50v(±20%), Axial
5671-09019-00	LED1-LED3	LED, Red, Display	5040-09545-00	C30	Capacitor, 22 μfd, Electr., 10v(+50,-10%) Axial
5521-10506-00	CR1	Oscillator, 4 MHz	5041-09031-00	C58	Capacitor, 1 μfd, Tant., 25v(±20%), Axial
5162-08976-00	Q51, Q53, Q55, Q57, Q59, Q61, Q63, Q65	Transistor, NPN Darl. 2N6427, TO-92	5043-09030-00	C16, C57	Capacitor, 0.047 μfd, 50v(±20%), Axial
5191-08978-00	Q52, Q54, Q56, Q58, Q60, Q62, Q64, Q66	Transistor, PNP, TIP42, TO-220	5551-09822-00	L1-L3	Inductor, 4.7 μH, 3A
5162-09410-00	Q6-Q9, Q14-Q17, Q22-Q25, Q30-Q33, Q69, Q71, Q73, Q75, Q77, Q79, Q80-Q87	Transistor, NPN, TIP122, TO-220	5641-09312-00	SW1, SW2	Switch, Pushbutton, DPDT, 100v, 5A
5160-08938-00	Q2-Q5, Q10-Q13, Q18-Q21, Q26-Q29, Q34-Q38, Q41, Q67, Q68, Q70, Q72, Q74, Q76, Q78	Transistor, NPN, 2N4401, TO-92	5641-09653-00		
5160-10289-00	Q1, Q40	Transistor, NPN, 2N3904, TO-92	5880-09022-00	B1-B3	Battery, Alkaline, 1.5v, AA
5190-09016-00	Q39, Q50	Transistor, PNP, 2N4403, TO-92	5881-09021-00		Battery Holder, #171
5130-09014-00	S1-S8	SCR, 30v, 0.8A, 2N5060	5700-10176-00	U26	IC Socket, 28 pin
5070-06258-00	D3-D19	Diode, 1N4001	a) A-5343-2014-1	U27	IC, Game ROM 1, 27256
5070-08919-00	D2	Diode, 1N4148, 150mA	b) A-5343-2014-2		IC, Game ROM 1, 27256
5070-09268-00	D1	Diode, 1N5817, 1.0A	5700-08985-00	U15	IC Socket, 40 pin
5075-09018-00	ZR1	Diode, Zener, 1N5996A, 6.8v, 0.5w	a) 5400-09150-00	TP1, TP2	IC, μProcessor, 6802
5075-09059-00	ZR2	Diode, Zener, 1N5990, 3.9v, 0.5w	5824-09248-00		Test Point
5010-08992-00	R94, R97, R100, R103, R106, R109	Resistor, 560Ω, 5%, 1/4w, C. F.	20-9229	K1	Thermal Compound
5010-09039-00	R56	Resistor, 10Ω, 5%, 1/4w, C. F.	5580-08994-01	1J1, 1J2, 1J4-1J8, 1J10-1J12, 1J17-1J19	Relay, 4-pole, 40v, 6v
5010-09534-00	W1, W2, W4, W5, W7, W8, W11, W14, W16, W17, W19	Resistor, 0.2Ω, 5%, 1/4w, C. F.	5791-10862-09	1J13, 1J14, 1J16	Connector, 9 pin (Hdr)
5010-08991-00	R31, R32, R35, R52	Resistor, 4.7KΩ, 5%, 1/4w, C. F.	5791-10862-04	1J3	Connector, 4 pin (Hdr)
5010-09358-00	R55, R68, R92, R146	Resistor, 1.0KΩ, 5%, 1/4w, C. F.	5791-10862-12	1J22	Connector, 12 pin (Hdr)
5010-09113-00	R54, R57, R58, R64, R66, R138-R145	Resistor, 10KΩ, 5%, 1/4w, C. F.	5791-10850-00	1J21	Connector, 26 pin Ribbon (Hdr)
5010-08983-00	R79	Resistor, 33KΩ, 5%, 1/4w, C. F.			
5010-08983-00	R7, R8, R10, R70, R80	Resistor, 3.3KΩ, 5%, 1/4w, C. F.			
5010-09034-00	R11-R14, R25, R26, R53, R60, R65, R90	Resistor, 10KΩ, 5%, 1/4w, C. F.			
5010-09086-00	R81	Resistor, 6.8KΩ, 5%, 1/4w, C. F.			
5010-08997-00	R23, R24, R91, R93, R96, R99, R102, R105, R108, R112, R115, R118, R121, R124, R127, R130, R133	Resistor, 2.7KΩ, 5%, 1/4w, C. F.			
5012-09037-00	R113, R116, R119, R122, R125, R128, R131, R134	Resistor, 0.4Ω, 5%, 3w, Wire-Wnd.			
5010-08993-00	R38-R51, R95, R98, R101, R104, R107, R110	Resistor, 68Ω, 5%, 1/2w, C. F.			
5012-10860-00	R82-R89	Resistor, 27Ω, 5%, 2w, C. F.			

**NOTES:**

1. For Schematic, refer to drawing #16-9019.
2. Items 56 and 58 (resistors) must be mounted 1/8" above PCB surface.
3. Standard Jumper: W1, W2, W4, W5, W7, W11, W14, W16



## Power Supply

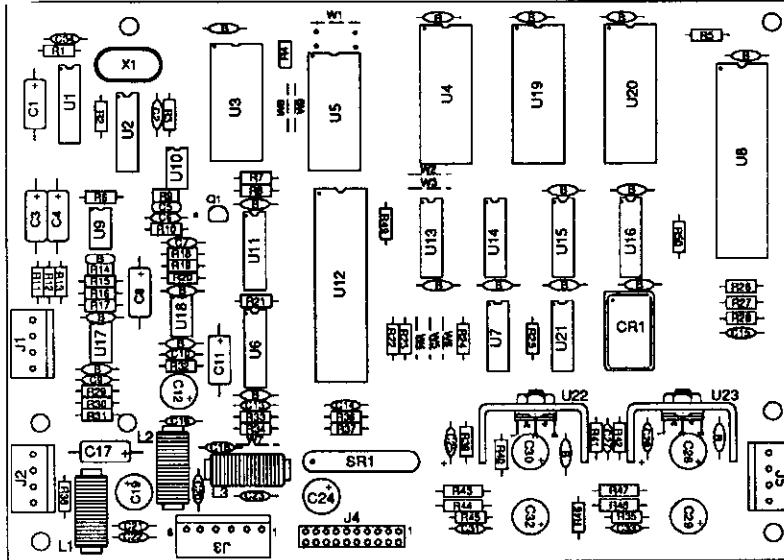
p/n D-12246

Item	Part No.	Ckt Designator	Description	Item	Part No.	Ckt Designator	Description
1	5765-12317-00		Power Supply PCB	26	5075-09060-00	ZR2, ZR4	Zener, 1N4764, 100v, 1w
2	5733-12060-01	F1-F5	Fuse Holder	27	5460-09424-00	IC1	IC, Volt. Reg., MC1723C5
3	5731-09432-00	F4, F5	Fuse, 7A., S-B, 250v	28	5010-09069-00	R3, R6	Resistor, 330K, 5%, 1/2w, C.F.
4	5731-12328-00	F1	Fuse, 3/8A., S-B, 250v	29	5010-10631-00	R2, R5	Resistor, 1.2K, 5%, 1/2w
5	5730-12327-00	F2, F3	Fuse 1/8 A., 250v	30	5010-09536-00	R1, R4	Resistor, 39K, 5%, 1w
6	5791-10862-15	J1	Connector, 15-pin Hdr, Sq Pin .156	31	5013-09426-00	R7	Resistor, 2.15K, 1%, 1/4w, C. F.
7	5791-10862-06	J2	Connector, 6-pin Hdr, Sq Pin .156	32	5013-09427-00	R8	Resistor, 4.99K, 1%, 1/4w, C. F.
8	5791-10862-09	J3	Connector, 9-pin Hdr, Sq Pin .156	33	5010-09541-00	R9	Resistor, 2.7K, 2%, 1/4w, C. F.
9	5100-09690-00	BR1	Bridge Rectifier, 35A., 200V	34	5010-09085-00	R10	Resistor, 1.5K, 5%, 1/4w, C. F.
10	5164-12154-00	Q1	Transistor, MJE15030, NPN	35	5010-09428-00	R11	Resistor, 1.5K, 2%, 1/4w, C. F.
11	5194-12155-00	Q3	Transistor, MJE15031, PNP	36	5010-09508-00	R12	Resistor, 270Ω, 2%, 1/4w, C. F37
12	5194-09055-00	Q2	Transistor, MPSD52, PNP	37	5012-09429-00	R13	Resistor, 0.12Ω, 5%, 5w
13	5164-09056-00	Q4	Transistor, MPSD02, NPN	38	5040-12324-00	C1, C3	Capacitor, 150 mfd, 160v, radial
14	5162-09425-00	Q5	Transistor, 2N6057, NPN	39	5043-09072-00	C2, C4	Capacitor, 0.1 mfd, 500v, disc
15	5701-09652-00		Thermal Pad T0-3	40	5040-09421-00	C7	Capacitor, 100 mfd, 25v, radial
16	4006-01003-06		Mach. Screw, 6-32 x 3/8	41	5040-09422-00	C8	Capacitor, 47 mfd, 50v, radial
17	4006-01003-08		Mach. Screw, 6-32 x 1/2	42	5040-09420-00	C9	Capacitor, 1000 mfd, electr, 25v, axial or radial
18	20-9229		Thermal Compound		5040-08893-00		
19	4406-01117-00		Nut, 6-32 Hex.	43	5040-09419-00	C10	Capacitor, 18,000 mfd, electr, 20v, axial
20	5010-09534-00	W1	Resistor, 0Ω	44	5040-09423-00	C12	Capacitor, 330 mfd, electr, 10v, radial
21	4703-00007-00		Lockwasher, #6 Ext.	45	5043-09446-00	C14	Capacitor, 0.1 mfd, 50v, disc
22	5705-12330-00		Heatsink 4"	46	5043-09065-00	C15	Capacitor, 470 pfd
23	5705-09199-00		Heatsink 6030B	47	5824-09248-00	TP1-TP4	Terminal, #1502-1 (Test Post)
24	5070-09054-00	D1, D3- D6	Diode, 1N4004	48	03-7947		Tie Wrap, 8" Long
25	5075-09059-00	ZR1, ZR3	Zener, 1N5990, 3.9v, 1/2w				

**NOTES:**

- Heat sink compound must be applied between transistor and heat sink.
- Observe index mark on integrated circuit, polarity of capacitors and diodes, and position of transistors.
- The view of Q5 and its related heat sink and hardware is from the bottom of the heatsink, to clarify installation.



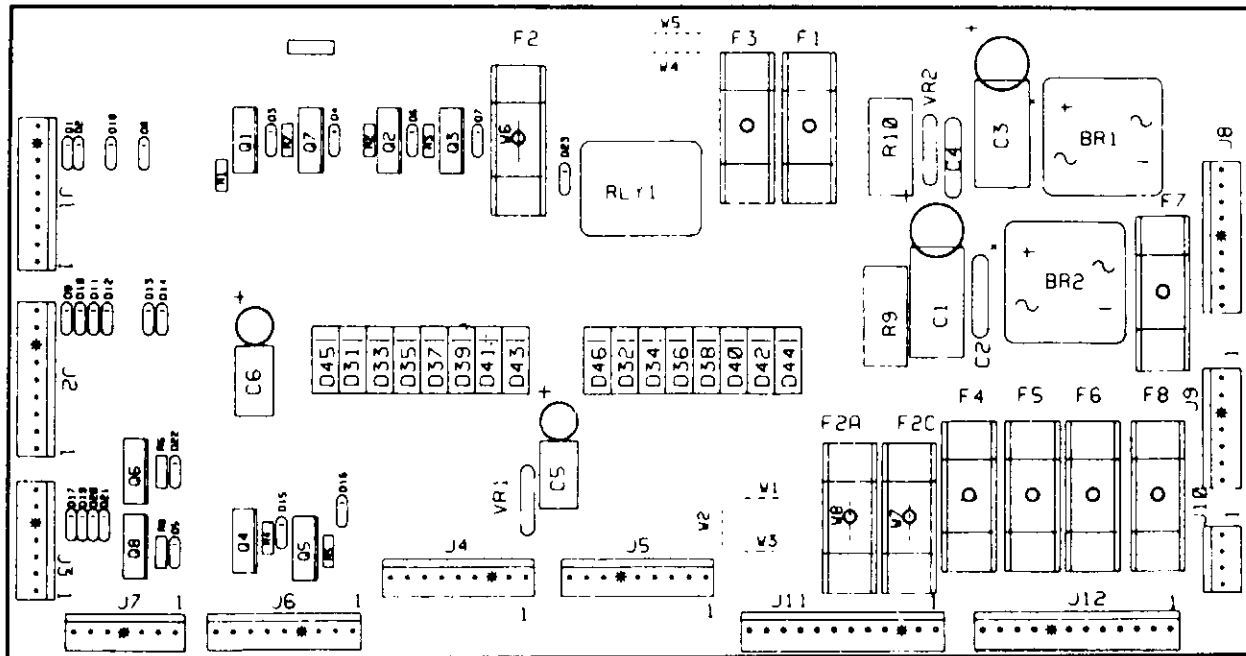


### Audio Board Assembly p/n D-11581-2014

Part No.	Ckt Designator	Description	Part No.	Ckt Designator	Description
5766-12130-00		Bare P. C. Board	5010-08998-00	R2, R3,	Resistor, 2.2K, 1/4w, 5%
5371-11087-00	U1	IC, D/A Conv, YM3012	5010-08983-00	R7-R9	Resistor, 3.3K, 1/4w, 5%
a) 5700-09006-00		Socket, IC, 16-pin (U1)	5010-08991-00	R1, R4, R5, R11,	Resistor, 4.7K, 1/4w, 5%
5370-11086-00	U3	IC, Sound Processor, YM2151		R12, R26 - R28, R33,	
a) 5700-09004-00		Socket, IC, 24-pin (U3)	5010-10985-00	R14, R15	Resistor, 20K, 1/4w, 5%
5400-10320-00	U8	IC, $\mu$ Processor, MC68B09E	5010-09034-00	R17	Resistor, 10K, 1/4w, 5%
a) 5700-08985-00		Socket, IC, 40-pin (U8)	5010-09324-00	R6,	Resistor, 27K, 1/4w, 5%
A-5343-2014-5	U4	IC, Audio ROM 1	5010-09162-00	R39	Resistor, 100K, 1/4w, 5%
A-5343-2014-6	U19	IC, Audio ROM 2	5010-09331-00	R16	Resistor, 13K, 1/4W, 5%
A-5343-2014-7	U20	IC, Audio ROM 3	5010-09219-00	R38	Resistor, 8.2K, 1/4W, 5%
a) 5700-10176-00		Socket, IC, 28-pin (U4, U19)	5010-10258-00	R40	Resistor, 1M, 1/4w, 5%
5371-09152-00	U11	IC, D/A Convtr, MC1408	5010-09179-00	R10	Resistor, 3.3M, 1/4w, 5%
5430-10322-00	U12	IC, PIA, MC68B21	5010-09534-00	W9	Resistor, 0 $\Omega$ , 1/4w, 5%
5340-10139-00	U5	IC, RAM/S 5516-2 2Kx8	5040-09343-00	C1, C3, C4, C8	Capacitor, 10 $\mu$ fd, 20v, $\pm$ 20%
5281-09487-00	U16	IC, Dual D Flipflop, 74LS74	5040-10974-00	C12, C19, C24	Capacitor, 100 $\mu$ fd, 35v
5281-10043-00	U13	IC, 74LS175	5040-09776-00	C26, C30	Capacitor, 470 $\mu$ fd, 16v; +50, -10%
5281-09235-00	U21	IC, Triple NAND, 74LS10	5040-12006-00	C29, C32	Capacitor, 1000 $\mu$ fd, 16v, 20%
5370-09321-00	U9, U10, U17	IC, Op Amp, MC1458	5041-09243-00	C25, C28	Capacitor, 10 $\mu$ fd, 10v, $\pm$ 10%
5281-09215-00	U2	IC, Hex Inv, 74LS04	5043-08980-00	C5, B (17)*	Capacitor, 0.01 $\mu$ fd, 50v, +80, -20%
5281-09246-00	U14	IC, 2-4 Dec, 74LS139	5043-08996-00	C31, C33	Capacitor, 0.1 $\mu$ fd, 50v, $\pm$ 20%
5281-09745-00	U15	IC, Dual Mux, 74LS138	5043-09065-00	C13 - C15	Capacitor, 470 pfd, 50v, $\pm$ 20%
5370-09156-00	U22, U23	IC, Audio Amp, TDA2002	5043-09492-00	C2, C34	Capacitor, 100 pfd, 50v, $\pm$ 10%
a) 5705-09199-00		Heatsink, #6030B	5043-09844-00	C6	Capacitor, 47 pfd, 50v, $\pm$ 20%
b) 4006-01003-06		Mach. Screw, 6-32 x 3/8	5043-09845-00	C16, C18, C20 -	Capacitor, 1000 pfd, 50v, $\pm$ 20%
c) 4406-01117-00		Nut, 6-32 Hex.		C23, C27	
d) 4703-00007-00		Lockwasher, #6 Ext.	5520-09020-00	X1	Crystal, 3.58 MHz
5160-10269-00	Q1	Transistor, 2N3904, NPN	5521-10931-00	CR1	Oscillator, 8 MHz
5060-10396-00	SP1	SIP 4.7K & 470pfd, 8R8C	5551-09822-00	L1 - L3	Inductor, 4.7 $\mu$ H, 3A
5010-09181-00	R44, R48	Resistor, 1.0 $\Omega$ , 1/2w, 5%	5791-09437-00	J4	Connector, 20 pin, (Hdr), Rib. Cbl
5010-09161-00	R35, R45	Resistor, 2.2 $\Omega$ , 1/4w, 5%	5791-10862-04	J1, J2, J5	Connector, 4 pin (Hdr)
5010-09361-00	R43, R46, R47	Resistor, 220 $\Omega$ , 1/2w, 5%	5791-10862-06	J3	Connector, 6 pin (Hdr)
5010-09358-00	R41, R42	Resistor, 1K, 1/4w, 5%	16-8850-250		P.C.B. I.D. Label
			20-9229		Thermal Compound

**NOTES:**

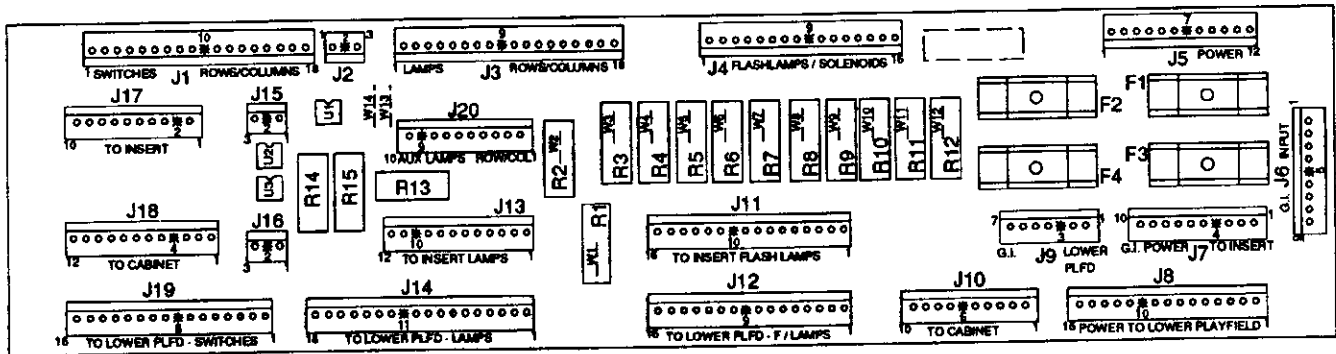
- \* 17 capacitors (shown on diagram with "B" symbol) provide +5VDC filtering for ICs.
- All capacitors are ceramic, 50v, axial, unless otherwise noted.
- All resistors are 5%, 1/4w, Carbon Film, unless otherwise noted.



## Aux Power Driver Unit Board

p/n D-12247-2014

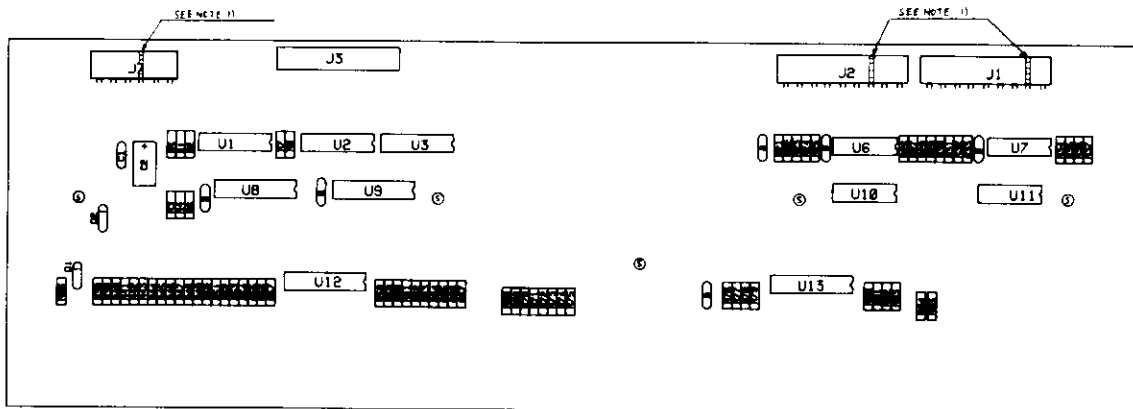
Part No.	Ckt Designator	Description
5763-12184-00		Bare P.C. Board
5040-09537-00	C1, C3	Capacitor, 100 $\mu$ fd., 100v, Radial
5040-12181-00	C5, C6	Capacitor, 10 $\mu$ fd., 100v, Radial
5043-09072-00	C2, C4	Capacitor, 0.1 $\mu$ fd., 500v
5010-09160-00	R1 - R8	Resistor, 220 $\Omega$ , 1/4w C.F., 5%
5012-12238-00	R9	Resistor, 3.3K $\Omega$ , 5w, 10%
5010-09534-00	W1, W3, W4, W6	Resistor, 0 $\Omega$ , 1/4w
5017-12180-00	VR1, VR2	Varistor, 100v
5100-09690-00	BR1, BR2	Bridge Rectifier, 35A, 200v
5070-08785-00	D1 - D23	Diode, 1N4003
5070-09045-00	D31 - D46	Diode, MR501
5191-12179-00	Q1 - Q8	Transistor, TIP36C
5580-09555-01	K1	Relay, DPDT, 13A
5733-12060-01		Fuse Holder
5731-08665-00	F5, F6	Fuse, 2A, S-B, 250v
5731-09128-00	F1, F2A, F3, F4	Fuse, 2-1/2A, S-B, 250v
5731-09651-00	F2C,	Fuse, 5A, S-B, 250v
5731-06314-00	F7	Fuse, 4A, S-B, 250v
5731-09432-00	F8	Fuse, 7A, S-B, 250v
5791-10862-09	J1, J2, J4 - J6, J8	Connector, 9-pin Hdr, Sq Pin
5791-10862-07	J3, J7, J9	Connector, 7-pin Hdr, Sq Pin
5791-10862-12	J11, J12	Connector, 12-pin Hdr, Sq Pin
5791-10862-04	J10	Connector, 4-pin Hdr, Sq Pin
16-8850-252		P.C.B. I.D. Label



## Backbox Interconnect Board

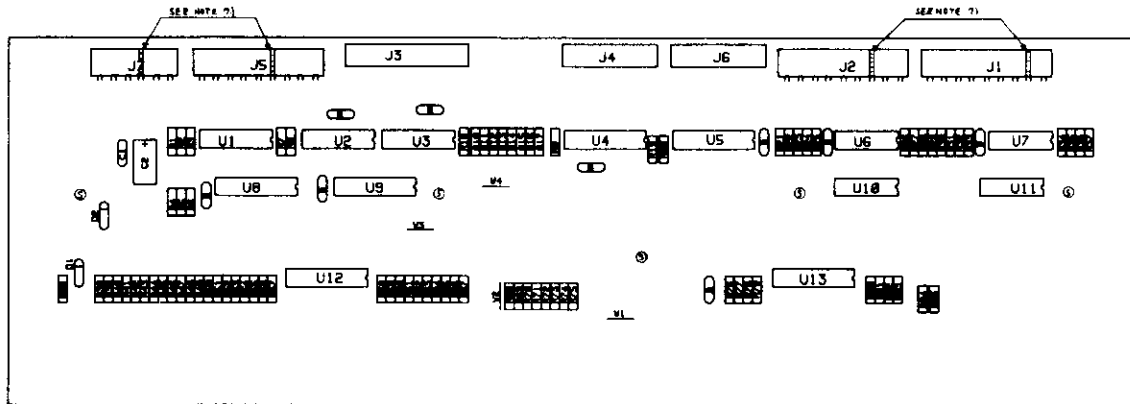
p/n D-12313-2014

Part No.	Ckt Designator	Description
5768-12332-00		Master Interconnect Board
5010-09534-00	R10, R11, R12	Resistor, 0Ω
5012-12238-00	R14, R15	Resistor, 3.3KΩ, 5w, 10%
5012-12337-00	R13	Resistor, 1.5KΩ, 5w, 10%
5012-10023-00	R1, R2, R6, R7	Resistor, 4Ω, 5w, 10%
5012-12163-00	R3, R8	Resistor, 11Ω, 5w, 10%
5012-10024-00	R4, R5, R9	Resistor, 5.6Ω, 5W, 10%
5490-10892-00	U1 - U3	Opto Isolator 4N25
5731-09651-00	F1-F4	Fuse, 5A.S.B., 250v
5733-12060-01		Fuse Holder, F1-F4
5791-10862-03	J2, J16	Connector, 3-pin Hdr Sq Pin .156
5791-10862-07	J9	Connector, 7-pin Hdr Sq Pin .156
5791-10862-09	J6	Connector, 9-pin Hdr Sq Pin .156
5791-10862-10	J7, J10, J20	Connector, 10-pin Hdr Sq Pin .156
5791-10862-12	J5, J13, J18	Connector, 12-pin Hdr Sq Pin .156
5791-10862-15	J8	Connector, 15-pin Hdr Sq Pin .156
5791-10862-16	J4, J11, J12, J19	Connector, 16-pin Hdr Sq Pin .156
5791-10862-18	J1, J3, J14	Connector, 18-pin Hdr Sq Pin .156
16-8850-243		P.C.B. I.D. Label



## Bally Left Display Board D-12706

DESCRIPTION	QTY.	DESIGNATION NO.	PART NUMBER
Axial Cap., 0.01mfd, 50v, +80, -20%	6	B (Bypass Cap)	5043-08980-00
Axial Cap., 0.1mfd, 50v, +80, -20%	1	C1	5043-08996-00
Axial Cap., 10mfd, 25v, ±20%	1	C2	5040-09343-00
Zener, 1N4740, 10v	2	D1, D2	5075-09135-00
Display, 16-Character A/N	1	DSPL1	5670-12308-00
9-Pin Header, Right Angle, .156	2	J1, J2	5791-10869-09
26-Pin Header, Right Angle, .100	1	J3	5791-10851-00
6-Pin Header, Right Angle, .156	1	J7	5791-10869-06
Resistor, 18KW, 1/4w, 5%	25	R1-R8, R21-R37	5010-08773-00
Resistor, 100KW, 1/4w, 5%	32	R38, R40, R42, R44, R46, R48, R50, R52, R54, R55, R61, R63, R65, R67, R69, R71, R73, R75-R83, R85	5010-09162-00
Resistor, 10KW, 1/2w, 5%	9	R39, R41, R43, R47, R53, R66, R70, R72, R84	5010-08981-00
Resistor, 1MW, 1/4w, 5%	1	R86	5010-10258-00
Resistor, 8.2KW, 1/2w, 5%	7	R45, R49, R51, R62, R64, R68, R74	5010-10927-00
I.C. 4049	3	U1-U3	5310-08975-00
I.C. 4001		U6, U7, U10, U11	5310-09882-00
I.C. 7180, Catode Driver	2	U8, U9	5680-08969-00
I.C. 6118, Anode Driver	2	U12, U13	5680-08968-00
Bally-Hi-Display PCB	1		5768-12408-00
Support Display5		S (Support)	03-8088-1

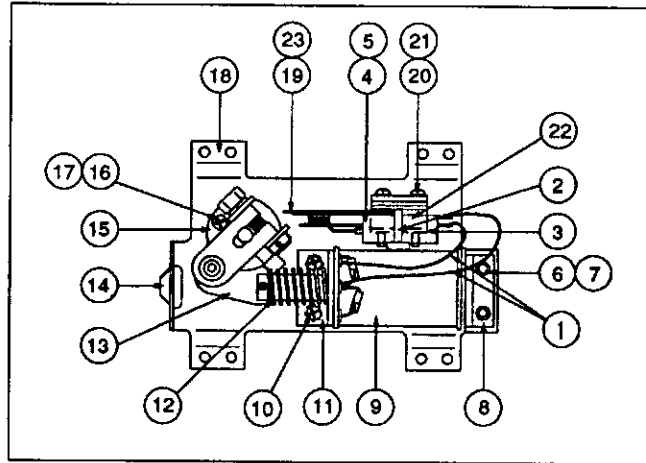


## Bally Right Display Board D-12502-1

DESCRIPTION	QTY.	DESIGNATION NO.	PART NUMBER
Axial Cap., 0.01nfd, 50v, +80, -20%	9	B (Bypass Cap)	5043-08980-00
Axial Cap., 0.1nfd, 50v, +80, -20%	1	C1	5043-08996-00
Axial Cap., 10nfd, 25v, ±20%	1	C2	5040-09343-00
Zener, 1N4740, 10v	2	D1, D2	5075-09135-00
Display, 16-Character A/N	1	DSPL1	5670-12308-00
9-Pin Header, Right Angle, .156	3	J1, J2, J5	5791-10869-09
26-Pin Header, Right Angle, .100	1	J3	5791-10851-00
6-Pin Header, Right Angle, .156	1	J7	5791-10869-06
Resistor, 18KW, 1/4w, 5%	25	R1-R8, R21-R37	5010-08773-00
Resistor, 100KW, 1/4w, 5%	32	R38, R40, R42, R44, R46, R48, R50, R52, R54- R61, R63, R65, R67, R69, R71, R73, R75-R83, R85	5010-09162-00
Resistor, 1MW, 1/4w, 5%	1	R86	5010-10258-00
Resistor, 8.2KW, 1/2w, 5%	7	R45, R49, R51, R62, R64, R68, R74	5010-10927-00
Resistor, 0W	2	W3, W4	5010-09534-00
I.C. 4049	3	U1-U3	5310-08975-00
I.C. 4001	4	U6, U7, U10, U11	5310-09882-00
I.C. 7180, Cathode Driver	2	U8, U9	5680-08969-00
I.C. 6118, Anode Driver	2	U12, U13	5680, 08968-00
Bally-Lo-Display PCB	1		5768-12378-00
Support Display	5	S (Support)	03-8088-1
Assembly, I.D. Label	1		16-8850-251

## Right Flipper

p/n C-11626-R-3



Item	Part No.	Description
1	HW-30018-6	Wire, 18 AWG, Blue
2	03-7520-2	Ty-Wrap, Nylon
3	20-6516	Speednut, Tinnerman
4	5045-12098-00	Capacitor, 2.2 $\mu$ Fd, 250V, 20%
5	RM-21-06	Sleeve, Vinyl (Cap. leads)
6	4010-01066-06	Cap Screw, 10-32 x 3/8, SH
7	4701-00004-00	Lockwasher, #10 split
8	A-12111	Flipper Stop Assembly
9	FL-11630	Flipper Coil (Red), (* - Refer to Note 3)
10	4006-01017-04	Mach. Screw, 6-32 x 1/4, P-RH-S
11	01-7695	Solenoid Bracket
12	10-376	Coil Plunger Spring
13	B-10655-R	Crank Link Assembly, Right
a)	02-4179	Link Spacer Bushing
b)	4010-01086-14	Cap Screw, 10-32 x 7/8, SH
c)	4700-00023-00	Washer, 5/8 o.d. x 13/64 i. d. x 16 ga.
d)	4701-00004-00	Lockwasher, #10 split
e)	4410-01132-00	Nut, 10-32 ESNA
f)	A-10656**	Flipper Link Assembly
1.)	02-4219	Coil Plunger
2.)	20-9370-1	Spring Pin, 5/32 dia. x 7/16
3.)	03-8050-1	Flipper Link
g)	B-10657-R	Flipper Crank Assembly, Right
1.)	01-8073-R	Flipper Crank, Right
2.)	17-1037	Crank Washer
3.)	4010-01066-18	Cap Screw, 10-32 x 1-1/8, HCS
4.)	4410-01127-00	Nut, 10-32 Hex Hd.
5.)	4700-00107-00	Washer, 5/8 o.d. x 13/64 i. d. x 12 ga.
6.)	4701-00004-00	Lockwasher, #10 Split
7.)	RM-23-06	Tubing, H. S. 1/4 DWP
14	23-6577	Bumper Plug
15	03-7568	Flipper Bushing
16	4006-01005-06	Mach. Screw, 6-32 x 3/8, P-PH
17	4406-01117-00	Nut, 6-32 Hex
18	C-11627-R	Flipper Base Assembly, R.
19	06-14G	Insulating Blade
20	4105-01019-10	Sh. Metal Screw, #5 x 5/8
21	4701-00002-00	Lockwasher, #6 split
22	23-6622	Tape, Double-sided
23	03-7811	End of Stroke (EOS) Switch

### Flipper Assembly Notes:

- 1 Each Flipper Assembly is mounted beneath the playfield, in conjunction with the plastic Flipper Paddle and Shaft (20-9250-5) and flipper Rubber (23-6519-4).
- 2 The tip of the EOS Switch must travel 0.0150 (+ .010, - .000) inch, before the contacts fully open, with the flipper in the actuated position. The EOS Switch contacts must have a gap of 0.062 ( $\pm$  .015) inch. Adjustment of the EOS Switch must be made at a minimum distance of 0.25 inch from the switch body.
- 3 All moving elements of the assembly must operate freely, with no evidence of binding.
- 4 The large end of the Coil Plunger Spring (item 12) must fit within the four lugs of the Solenoid Bracket.
- 5 For coil replacement, remove the Solenoid Bracket (item 11) to prevent screw damage.
- 6 Use Loctite™ 242 when reattaching screws to the Flipper Stop Assembly, the Solenoid Bracket, and the Flipper Bushing.
- 7 When replacing the Bumper Plug (item 14) to restore proper flipper operation, readjust the flipper paddle and shaft position.
- 8 Solid color blue wire connects to the banded end of each diode, mounted on the connector end of the Flipper Coil (item 9). Trace color wire connects to the unbanded end of the diode.

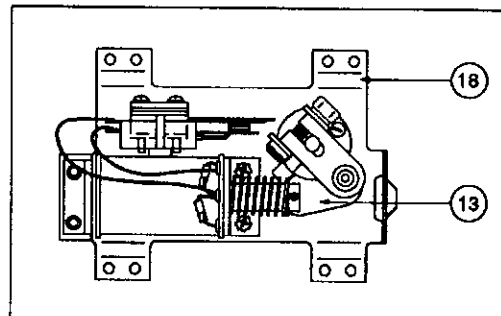
\*\* - Also see separate diagram

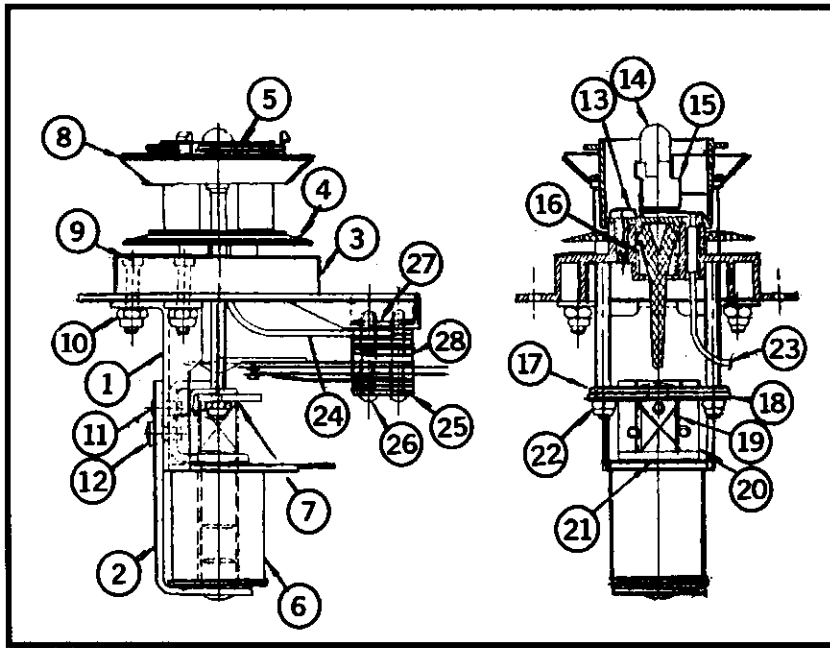
## Left Flipper

p/n C-11626-L-3

(Parts listed replace same Items of C-11626-R-3)

Item	Part No.	Description
13	B-10655-L	Crank Link Assembly, Left
g)	B-10657-L	Flipper Crank Assembly, Left
1.)	01-8073-L	Flipper Crank, Left
18	C-11627-L	Flipper Base Assy, Left





## Jet Bumper

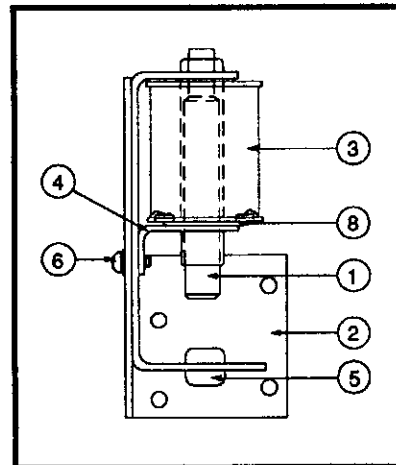
p/n C-12872

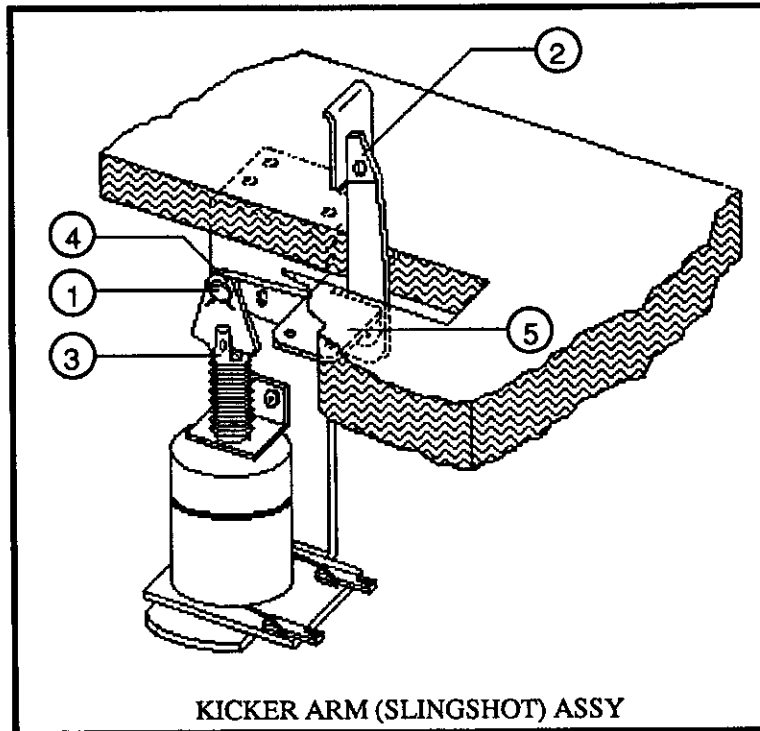
Item	Part No.	Description	Item	Part No.	Description
1	01-9117	Mounting Bracket	16	10-411	Compression Spring
2	B-12749	Core Plug & Brkt Assy	17	01-9116	Bracket
3	03-8324-5	Base, White	18	01-9320	Plate
4	03-6035-5	Wafer, White	19	Plunger	02-3406-1
5	03-8325-5	Body	20	01-9319	Plunger Bkacket
6	AE-23-800	Coil Assy	21	4705-00002-00	Spring-Washer
7	10-326	Compression Spring	22	4406-01119-00	6-32 L. Nut
8	A-4754	Flange & Stud Assy	23	H-12769-2	Cable-White
9	4008-01070-14	8-32 M.S.	24	H-12769-1	Cable-Red
10	4408-01119-00	8-32 L. Nut	25	01-9321	Plate
11	4008-01015-04	8-32 PH. PAN	26	4005-01016-18B	5-40 x 18 PH. RD M.S.
12	4008-01015-06	8-32 PH. PAN	27	01-9166	Plate
13	4108-01001-10B	8 x 10 PH. PAN	28	B-13267	Switch Assembly
14	24-8768	Lamp	29	03-7066	Coil Tubing
15	24-8813	Lamp Socket			

## Knocker Assembly

p/n B-10686-1

Item	Part No.	Description
1	A-5387	Coil Plunger Assembly
	a) 02-2653	Coil Plunger
	b) 03-6013	Bell Arm Ext.
2	B-7409-2	Mtg. Bracket Assembly
3	AE-23-800	Coil Sub-Assembly
4	01-8-508-T	Coil Retaining Bracket
5	23-6420	Rubber Grommet
6	4008-01017-06	Mach. Screw, 8/32 x 3/8
7	H-11835	Knocker Cable
8	03-7067-5	Coil Tubing





## Kicker Arm ("Slingshot") Assembly

p/n B-12665  
(Left & Right Kickers)

Item	Part No.	Description
1	12-6227	Clip, Hairpin
2	A-12664	Kicker Crank Assembly
3	A-5103	Coil Plunger Assembly
	02-2364	Coil Plunger
	20-8716-5	Roll Pin, 1/8 x 7/16
	03-8085	Armature Link
4	4700-00003-00	Flat Washer, .265 x .500 x .067
5	A-5653	Mounting Bracket Assy

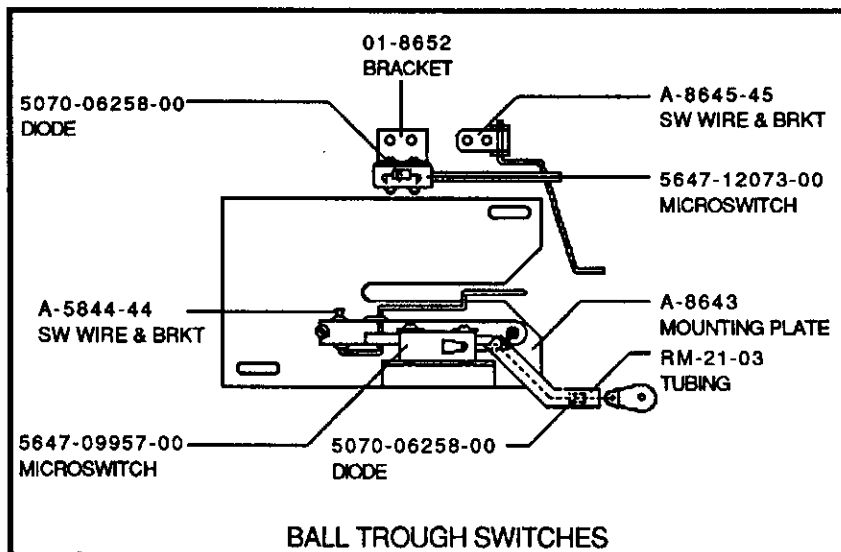
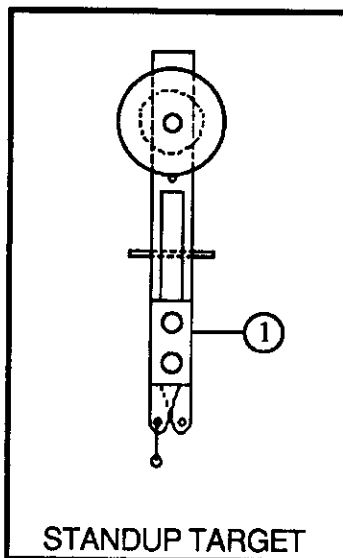
### Associated Parts

Part No.	Description	Part No.	Description
B-11203-R-1	Coil & Bracket Assy	B-11203-L-1	Coil & Bracket Assy
B-7572-1	Bracket & Stop Assy	B-7572-1	Bracket & Stop Assy
01-8-508-S	Coil Retaining Bracket	01-8-508-S	Coil Retaining Bracket
4006-01017-06	Mach. Screw, 6-32 x 3/8	4006-01017-06	Mach. Screw, 6-32 x 3/8
4406-01119-00	Nut, 6-32 ESN	4406-01119-00	Nut, 6-32 ESN
AE-26-1500	Coil Assembly	AE-26-1500	Coil Assembly
03-7066	Coil Tubing	03-7066	Coil Tubing



## Standup Target Assembly (Including Diode)

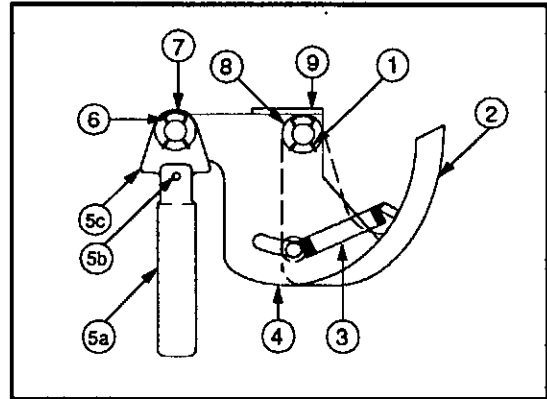
Item	Part No.	Description
1	B-11696-2	Standup Target (Green)
2	B-11696-5	Standup Target (White)



## Ball Trough Switches

Part No.	Description
B-11348	Switch Plate Assembly
A-5844-44	Switch Wire & Bracket Assy
B-11349	Switch Mounting Plate Sub-Assy
RM-21-03	#10 Tubing
4004-01060-08	MS 4-40 x 1/2 SL-PH-S
4005-01005-02	MS 5-40 x 1/8 P-PH
5070-06258-00	Diode, 1N4001, 1A
5647-09957-00	µSwitch E21-50H
5825-09373-00	#4 Solder Lug-bent
A-11680	Ball Trough Switch, Right
01-8652	Mounting Bracket
5647-12073-08	Submin. Switch
5070-06258-00	Diode, 1N4001, 1.0A
A-8645	Switch Wire & Bracket Assy

## Ball Shooter Lane Feeder C-9638 & Associated Parts



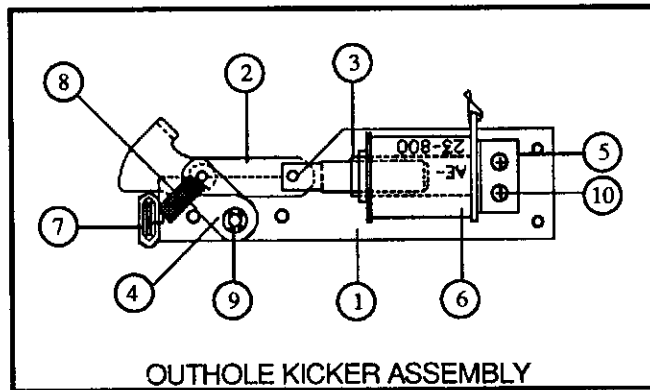
Item	Part No.	Description
1	12-6227	Clip, Hairpin
2	A-8247	Eject Cam Assy
3	10-362	Ejector Spring (Plain)
4	A-6949-L	Spring Plate Assy
5	A-8050-1	Coil Plunger Assy
a)	02-3407-2	Coil Plunger
b)	20-8716-5	Roll Pin
c)	03-8085	Armature Link
6	4700-00030-00	Flat Washer, 17/64 x 1/2 x 15 ga
7	4700-00103-00	Flat Washer, 17/64 x 1/2 x 28 ga.
8	A-8268	Mounting Bracket Assy

### Associated Parts

B-9362-R-1	Coil & Bracket Assy
B-7572-1	Bracket & Stop Assy
01-8-508-S	Coil Retaining Bracket
4006-01017-06	Mach. Screw, 6-32 x 3/8
4406-01119-00	Nut, 6-32 ESN
AE-23-800	Coil Assembly
03-7066	Coil Tubing

## Outhole Kicker Assembly p/n B-8039-2

Item	Part No.	Description
1	A-6378	Mounting Plate Assy
2	A-8335	Coil Plunger Assy
a)	02-2364	Coil Plunger
b)	20-8716-5	Roll Pin, 1/8 x 7/16
c)	01-4251	Ball Return Link
3	03-7066	Coil Tubing
4	A-6889	Kicker Lever Assy
5	A-8038	Coil Stop Assy
6	AE-23-800	Coil Assy
7	03-7176-1	Striker Ring
8	10-101-4	Spring-Reset
9	20-8712-25	"E" Ring, 1/4" Shaft
10	4006-01003-03	Mach. Screw, 6-32 x 3/16



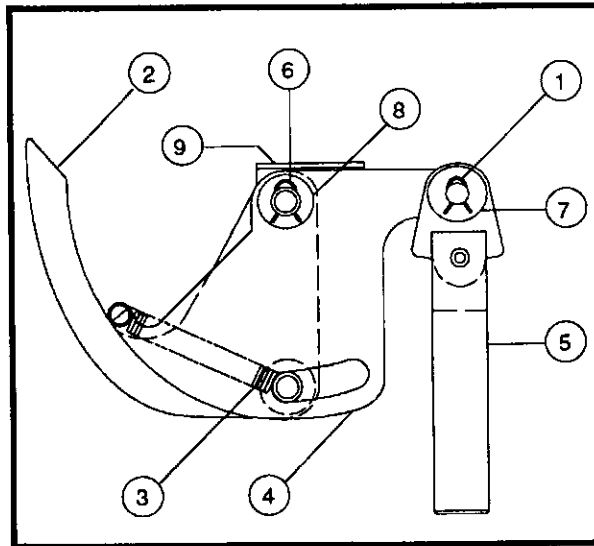
## Eject Hole Assembly

p/n B-9361-R-5

Item	Part No.	Description
1	A-6949-R	Spring Plate Assy
2	A-7471-R	Eject Cam Assy
3	A-8050-1	Plunger Spring, 2-1/8
4	A-8268	Mounting Bracket Assy
5	10-320	Eject-Spring
6	12-6227	Hairpin Clip
7	4700-00030-00	Flat Washer, 17/64 x 1/2 x15 ga.
8	4700-00103-00	Flat Washer, 17/64 x 1/2 x 28 ga.

### Associated Parts

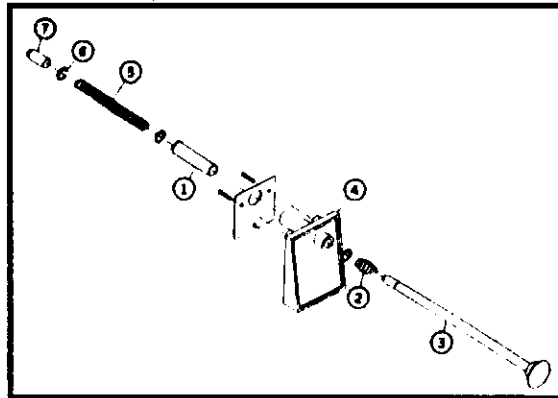
B-9362-R-1	Coil & Bracket Assembly
AE-23-800	Coil Assy
B-7572-1	Bracket & Stop Assembly
01-8-508-S	Coil Retaining Bracket
03-7066	Coil Tubing
4006-01017-06	M.S. 6-32 x 3/8 P-RH-S
4406-01119-00	Nut 6-32 ESN



## Ball Shooter

p/n B-12445-1

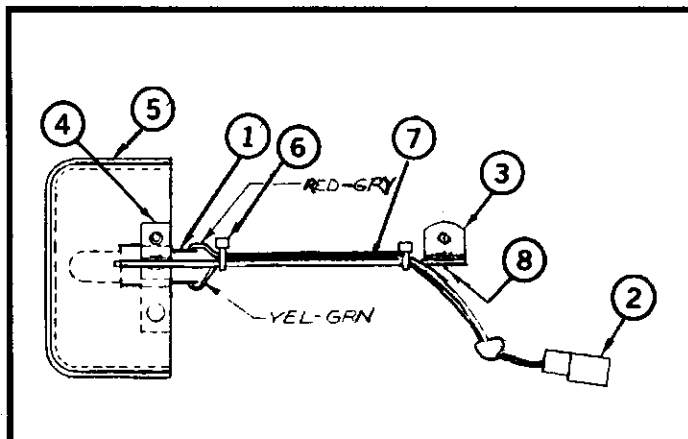
Item	Part No.	Description
1	03-7357	Sleeve
2	10-149	Rod Spring
3	20-9253-7	Rod Assembly
4	21-6645-1	Ball Shooter Housing
5	10-148-1	Shooter Spring
6	20-8781-1	"C" Ring
7	23-6327	Shooter Tip



## Pool Lamp Assembly

p/n B-13454

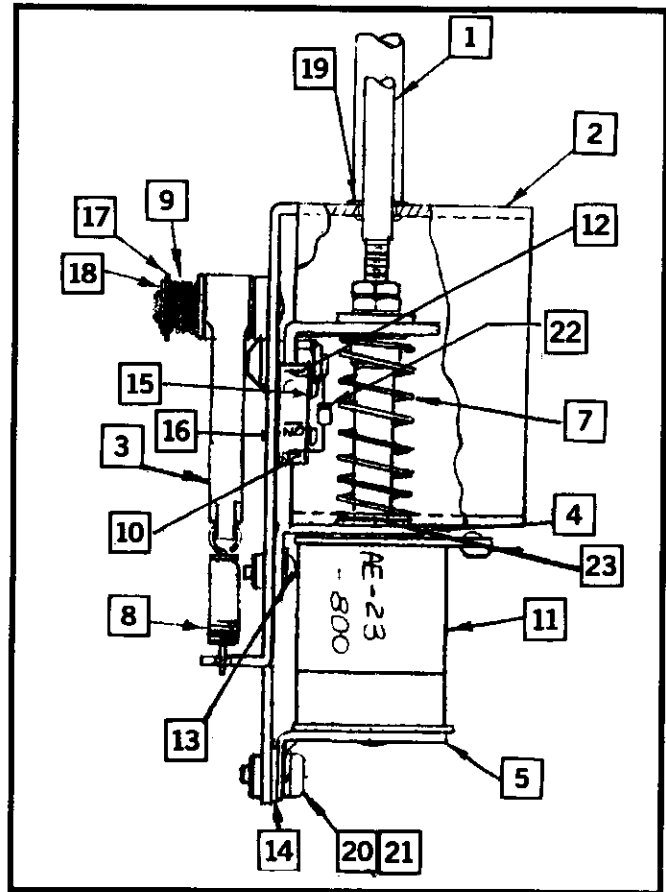
Item	Part No.	Description
1	A-12336-3	Socket & Bulb Assembly
2	H-13519	Overhead Lamp Cable
3	01-6811-2	Clip
4	01-9010	Mounting Leg
5	03-8383	Pool Lamp
6	03-7520-2	Nylon Ty-wrap
7	31-1006-2014	Playfield Plastic
8	07-668-18	Rivet 1/8 x 3/16



# Diverter Assembly

p/n C-13430

Item	Part No.	Description
1	B-13431	Plunger Assembly
2	C-13449	Diverter Gate sub-assy
3	03-8090	Flat Cam
4	01-8639	Coil Support Bracket
5	A-10821	Flipper Stop Bracket
6	03-8380	Diverter Gate Assy
7	10-399	Compression Spring
8	10-401	Extension Spring
9	10-392	Copmression Spring
10	01-8600	Switch Insulators
11	AE-23-800	Coil Sub-assy
12	5647-12073-06	Mini Micro W/Roller
13	4006-01027-06	M.S. #6-32 PH-R-WH
14	4700-00021-00	FW .203 x .437 x .032
15	4701-00024-00	LW (Split) #2
16	4002-01005-06	M.S. #2-56 PH-P-H
17	4700-00103-00	FW #12
18	20-8712-25	"E" Ring
19	20-8790-7	Nylined Bearing
20	4010-01008-06	M.S. #10-32 P-PH
21	4701-0004-00	LW #10 Split
22	5070-06258-00	Diode, 1N4001
23	03-7066	Coil Tubing
24	4006-01003-08	M.S. 6-32 x 1/2 P-PH-S
25	H-13517	Diverter Cable



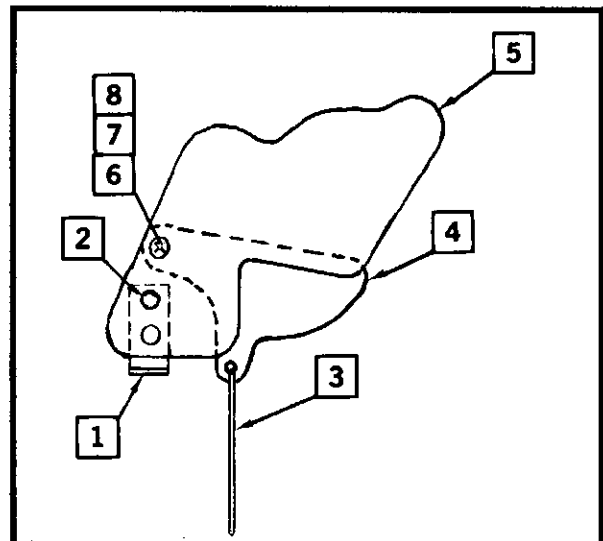
# Shark Assembly

p/n B-13466

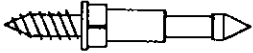
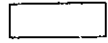

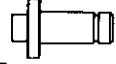
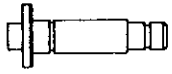
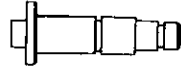
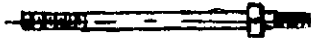
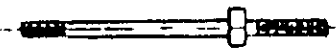


Item	Part No.	Description
1	01-9552	Shark Mounting Clip
2	07-6688-18N	Rivet 1/8 x 3/16
3	12-6901	Shark Actuator Wire
4	31-1006A-2014	Plastic
5	31-1006A-2014	Plastic
6	4006-01005-08	M.S. 6/32 x 3/8 P-PH
7	4406-01119-00	Nut 6-32 ESN
8	4700-00009-00	FW .172 x .437 x .032

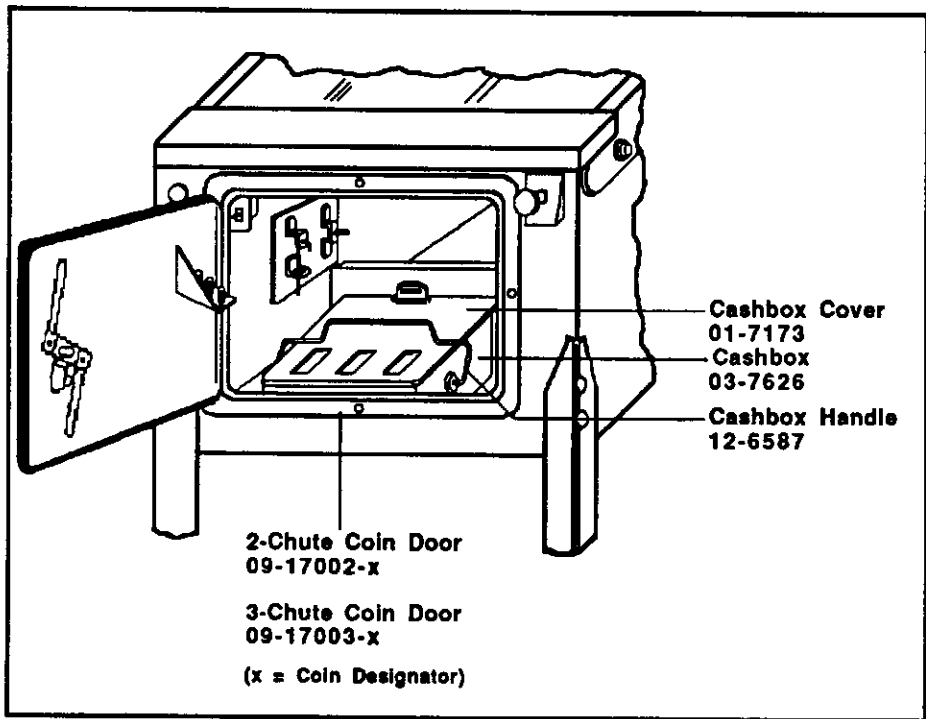
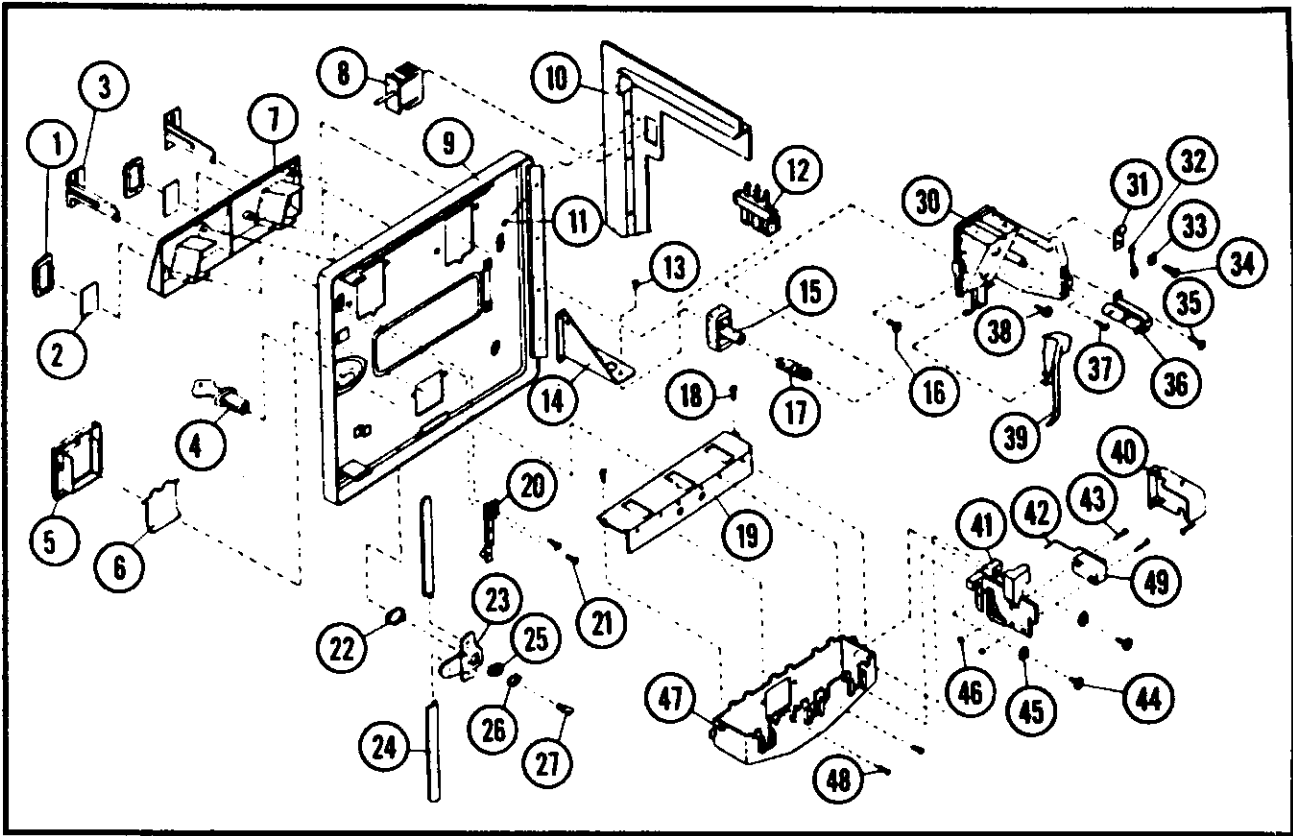
### Associated Parts

B-12847	Gate & Coil Mounting Assy
A-11146	B/G Armature Assy
A-12958	Relay Brkt & Eyelet
SM2-35-4000 DC	Coil Assy
01-9224	Mounting Bracket
10-120	Armature Spring



# PLAYFIELD POSTS

 <b>02-3905</b>	 <b>02-4020</b>
 <b>02-4036</b>	 <b>02-4271-1</b>
 <b>02-4271-2</b>	 <b>02-4271-3</b>
 <b>02-4424</b>	 <b>02-4425</b>
 <b>03-8279-9</b>	 <b>03-8319-11</b>



# COIN DOOR ASSEMBLY

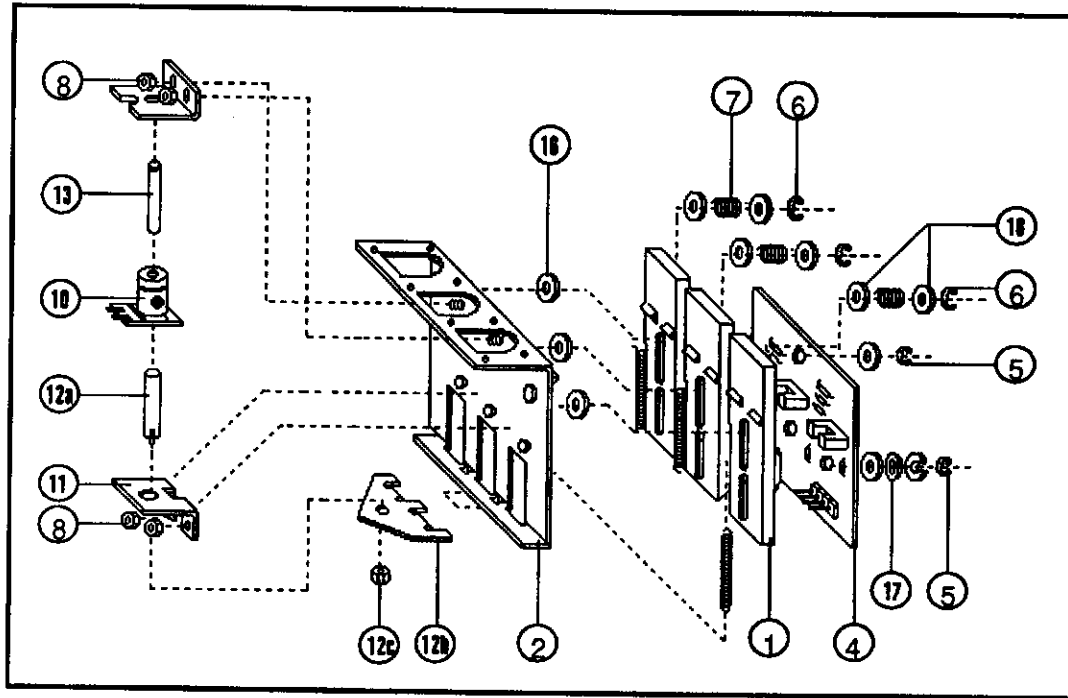
USA Door with decals, p/n C-13155-1

2-Chute Door - **09-17002-x**

3-Chute Door - **09-17003-x**

("x" is the country designator)

Item	Part Number	Description	Quantity
1	27-1038	Button Cover	2 or 3
2	27-1041-1-54	Price Panel	2 or 3
3	27-1026-1-15	Coin Entry Plate	2 or 3
4	27-1016	Lock Assembly	1
5	27-1061-1	Coin Return - Bezel	1
6	27-1062	Coin Return Flap	1
7	27-1021	Button Housing - 2-slot	1
	27-1022	Button Housing - 3-slot	1
8	27-1111	Interlock Switch	1
9	27-1006-1	Coin Door , 2-Slot	1
	27-1007-1	Coin Door , 3-Slot	1
10	27-1005	Coin Door Frame	1
11	27-1003	M/C Screw, 6-32 x 3/16	4
12	27-1008	Diagnostic Switch	1
13	27-1101	M/C Screw, 4-40 x 1/4	2
14	27-1102	Bracket, Diagnostic Switch	1
15	27-1037	Button	2 or 3
16	27-1078	M/C Screw, 6-32 x 3/8	2 or 3
17	27-1039	Conical Spring	2 or 3
18	27-1079	Self-tapping Screw, #6 x 1/4	2
19	27-1077-1	Coinbox Cover	1
20	27-1066	Slam Switch	1
21	27-1067	M/C Screw, 4-40 x 1/2	2
22	27-1017	Nut (key)	1
23	27-1012	Locking Cam	1
24	27-1011	Locking Arm	2
25	27-1020	Washer	1
26	27-1018	Star Washer	1
27	27-1019	M/C Screw 1/4-28 x 5/16	1
30	27-1112	Coin Inlet Chute	2 or 3
31	27-1088	Cable Clamp	2 or 3
32	27-1025	Key Hook	1
33	27-1086	Washer, #6	2 or 3
34	27-1078	M/C Screw, 6-32 x 3/8	1 or 2
	27-1113	M/C Screw, 6-32 x 7/16	1
35	27-1079	Self-tapping Screw, #6 x 1/4	2 or 3
36	27-1084	Lamp Socket	2 or 3
	27-1085	Lamp	2 or 3
37	27-1096	Self-tapping Screw, #5 x 3/8	2 or 3
38	27-1087	M/C Screw, 6-32 x 5/8	2 or 3
39	27-1082	Lever Arm	2 or 3
40	27-1097	Switch Cover	2 or 3
41	27-1091-1	Coin Accept Chute	2 or 3
42	27-1075	Wire Form (small)	2 or 3
	or		
	27-1093	Wire Form (large)	
43	27-1094	M/C Screw, 4-40 x 7/8	4 or 6
44	27-1087	M/C Screw, 6-32 x 5/8	4 or 6
45	27-1086	Washer, #6	4 or 6
46	27-1095	Nut, 4-40 ESNA	4 or 6
47	27-1076-1	Coin Return Box	1
48	27-1078	M/C Screw, 6-32 x 3/8	2
49	27-1092	Microswitch	2 or 3

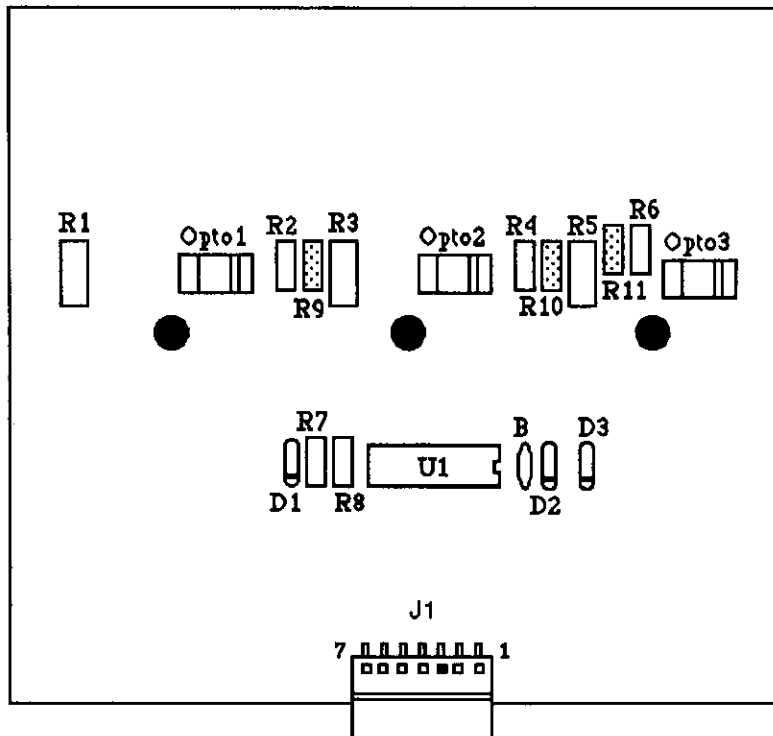


## 3-Bank Drop Target

p/n C-11223-3

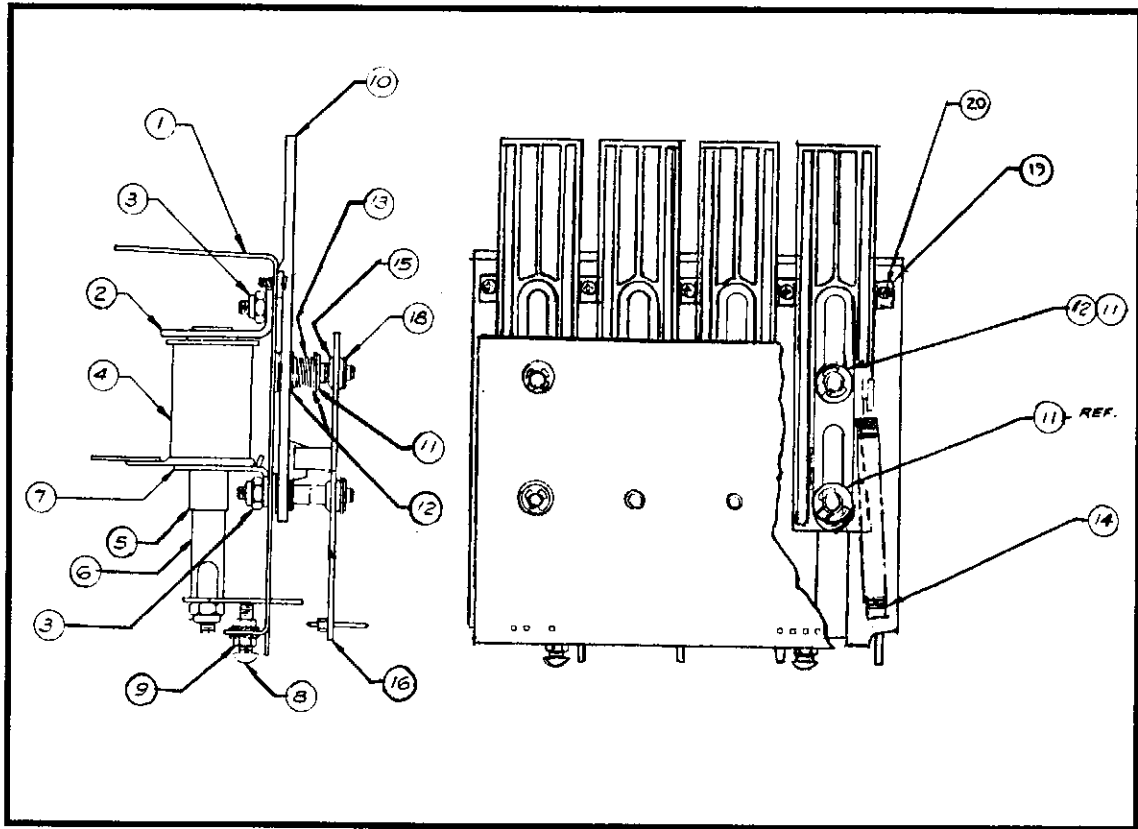
Item	Part No.	Description	Item	Part No.	Description
1	03-8036	Target, Plain	11	01-8413	Bracket Coil Mounting
2	B-13271	3-Bank Tgt Sub-Assy	12	A-11389	Plunger & Reset Plt Assembly
3	10-364	Spring - Extension	A)	02-3972-1	Plunger
4	C-13205-1	3-Drop Target Opto Assy	B)	01-8408	Reset Plate, 3-Bank
5	20-8712-18	"E" Ring, 3/16" Shaft	C)	4410-01132-00	Nut, 10-32 ESN
6	20-8712-25	"E" Ring, 1/4" Shaft	13	03-7066-4	Coil Tubing
7	10-392	Spring-Compression	14	4700-00016-00	Flat Washer, 3/16 x 7/16 x 17 ga.
8	4408-01119-00	Nut, 8-32 ESN	15	4008-01016-10	Mach. Screw, 8-32 x 5/8
9	A-11397	Stop Bracket Assembly	16	4700-00072-00	Flat Washer, 17/64 x 1/2 x 21 ga.
10	AE-26-1200	Coil Assembly	17	23-6626	Rubber Grommet
			18	4408-01128-00	Nut 8-32 KEPS





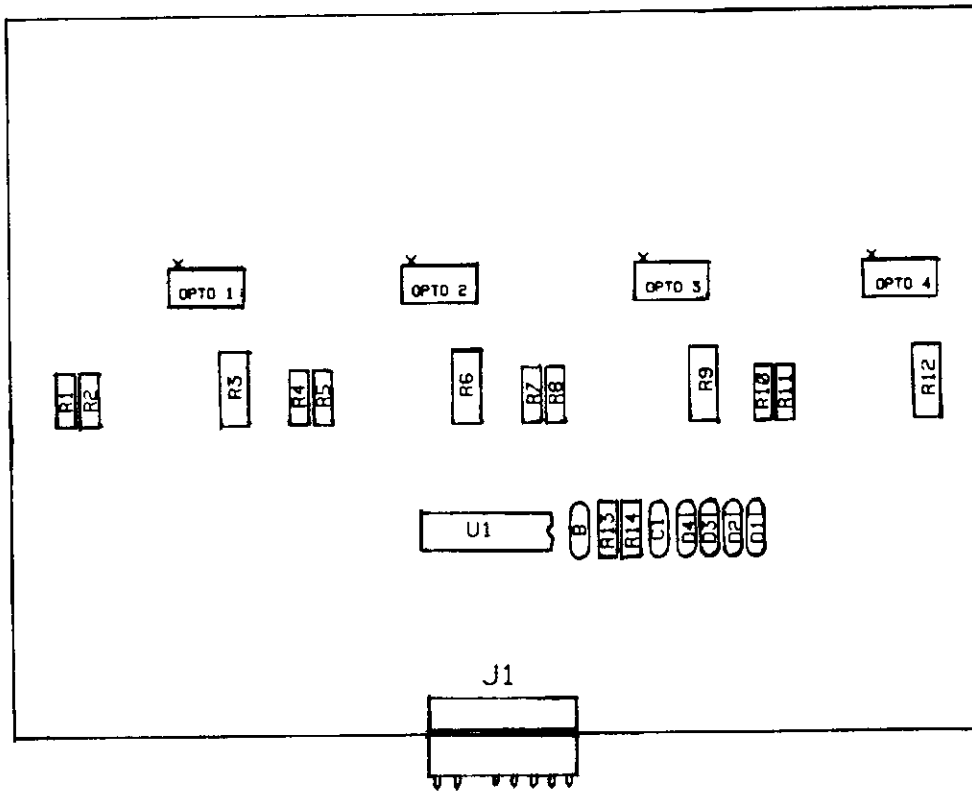
### 3-Bank Drop Target Opto Board p/n C-13205-1

Part No.	Ckt Designation	Description
5768-12546-00		3-Bank Opto Board
5490-10159-00	Opto 1- Opto3	Opto Interruptor, MDL, S/G
5010-08930-00	R1, R3, R5	Resistor, C.F., 470 $\Omega$ , 1/2w, 5%
5010-09162-00	R8	Resistor, C.F., 100K $\Omega$ , 1/4w, 5%
5010-09324-00	R2, R4, R6	Resistor, C.F., 27K $\Omega$ , 1/4w, 5%
5010-08774-00	R7	Resistor, C.F., 22K $\Omega$ , 1/4w, 5%
5043-08980-00	B	Capacitor, .01 $\mu$ fd., +80 -20%
5370-12272-00	U1	I.C., Quad. Comp., LM339
5791-12548-07	J1	7 pin header R/A lock Sq. .100
5070-09054-00	D1, D2, D3	Diode, 1N4004, 1.0A



## 4-Bank Drop Target p/n C-13450

Item	Part No.	Description	Item	Part No.	Description
1	C-13451	Bracket & Stud Assy	11	20-8712-25	Retaining Clip
2	A-11397	Stop Bracket Assey	12	4700-00072-00	Washer #12
3	4408-01119-00	Nut #8 ESN	13	10-392	Comp. Spring
4	AE-24-900	Coil Assembly	14	10-364	Exten. Spring
5	03-7066-4	Coil Tubing	15	23-6626	Grommet
6	A-13453	Reset Plate Assy	16	C-12499	4-Drop Target Opto Assy
7	01-9548	Coil Mounting Brkt	17	4700-00016-00	Washer # 8
8	4008-01016-00	M.S. 8-32 x 5/8 P-PH	18	20-8712-18	Retaining Clip
9	4408-01128-00	Nut #8-32 KEPS	19	03-8334-4	4 Bank Tgt Stop
10	03-8036	Plain Target	20	4004-01005-04	M.S. 4-40 x 1/4 P-PH

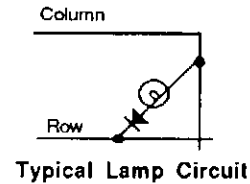
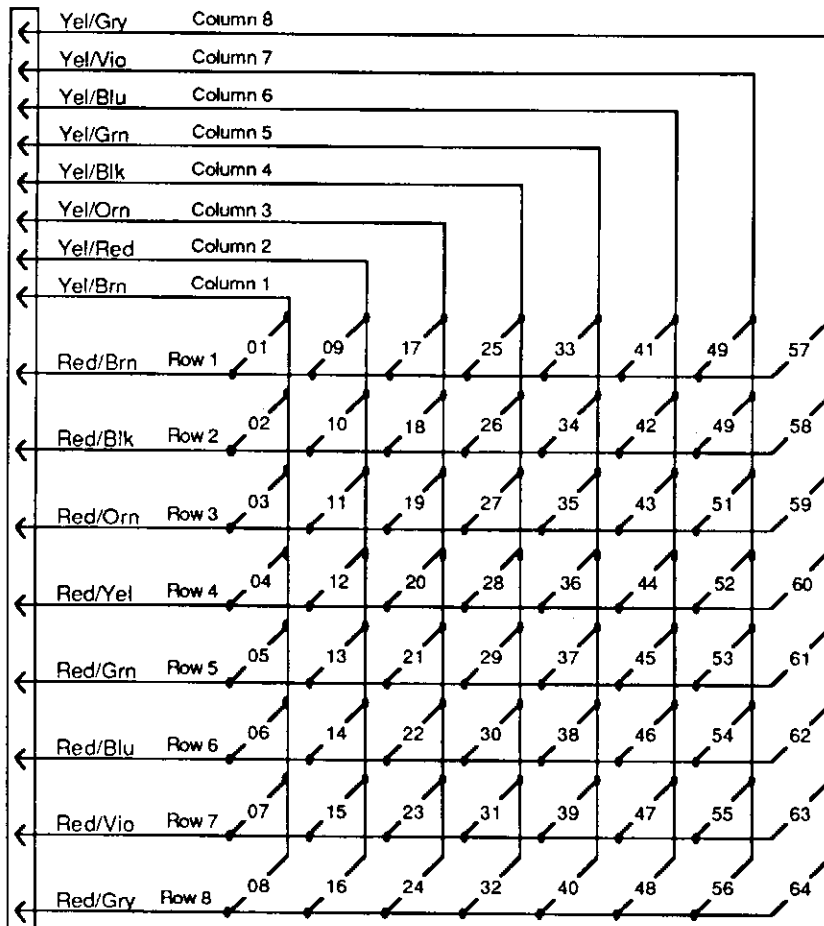


## 4-Bank Drop Target Opto Board

p/n C-12944

Part No.	Ckt. Designation	Description
5010-08774-00	R14	Resistor 22K $\Omega$ , 1/4W, 5%
5010-08930-00	R3, R6, R9, R12	Resistor 470K $\Omega$ , 1/2W, 5%
5010-09162-00	R13	Resistor 100K $\Omega$ , 1/4W, 5%
5010-09324-00	R2, R5, R8, R11	Resistor 27K $\Omega$ , 1/4W, 5%
5043-08980-00	C1, Bypass	Cap. .01M 50V, +80 -20
5070-09054-00	D1, D2, D3, D4	Diode 1N4004, 1.0A
5370-12272-00	U1	IC LM339 Quad Comp
5490-10159-00	Opto1 - Opto 4	Optp Inter Module Large Gap
5768-12376-00	Bare PCB	Bare PC Board
5791-124548-08	J1	8 pin header R/A lock Sq. .100

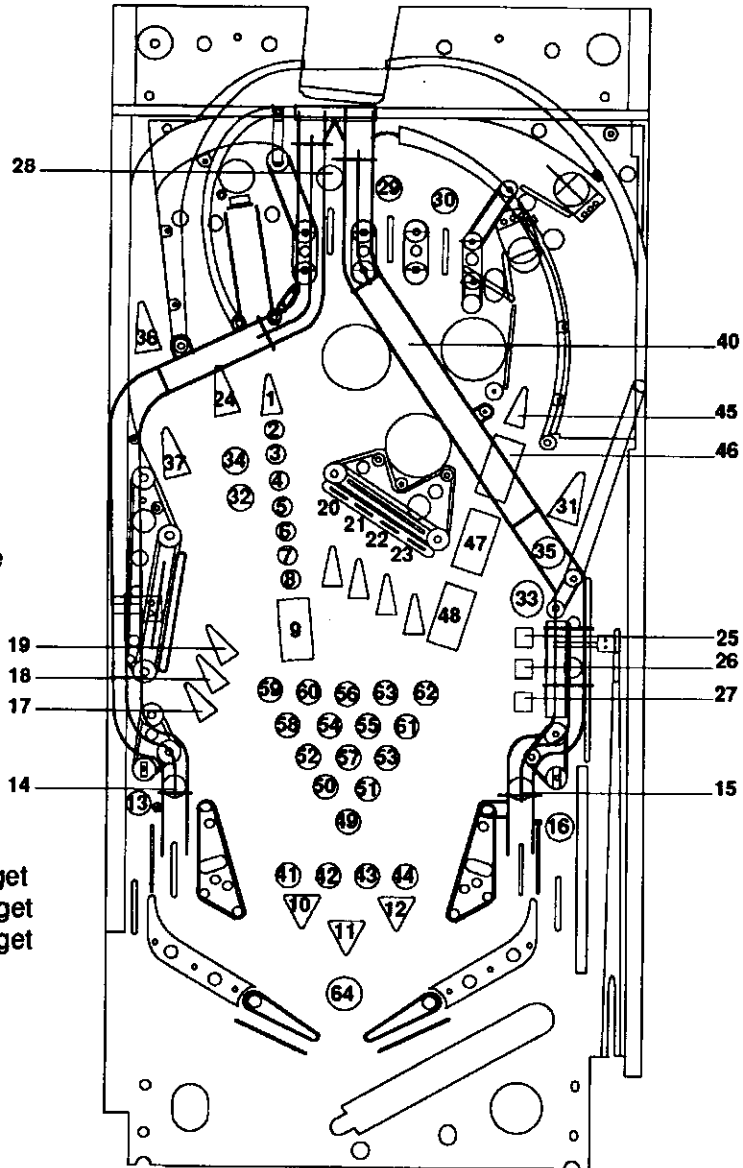
# POOL SHARKS LAMP MATRIX



column	1 Q66	2 Q64	3 Q62	4 Q60	5 Q58	6 Q56	7 Q54	8 Q52
row	YEL-BRN 1J7-1	YEL-RED 1J7-2	YEL-ORN 1J7-3	YEL-BLK 1J7-4	YEL-GRN 1J7-6	YEL-BLU 1J7-7	YEL-VIO 1J7-8	YEL-GRY 1J7-9
1 Q60 RED-BRN 1J6-1	Captive Chalk 1	Captive Million 9	Drop Target H 17	Top Stand-up Target 25	Right 9 Ball Shot 33	Bonus 2X 41	Ball 1 49	Ball 9 57
2 Q61 RED-BLK 1J6-2	Captive 30K 2	Rack 1 10	Drop Target O 18	Middle Stand-up Target 26	Left 8 Ball 34	Bonus 3X 42	Ball 2 50	Ball 10 58
3 Q62 RED-ORN 1J6-3	Captive 50K 3	Rack 2 11	Drop Target T 19	Bottom Stand-up Target 27	Right 8 Ball 35	Bonus 4X 43	Ball 3 51	Ball 11 59
4 Q63 RED-YEL 1J6-5	Captive 80K 4	Rack 3 12	Drop Target S 20	Left Lane 28	Extra Ball Lit 36	Bonus 5X 44	Ball 4 52	Ball 12 60
5 Q64 RED-GRN 1J6-6	Captive 100K 5	Left Drain 13	Drop Target H 21	Middle Lane 29	Trick Shot 37	Jackpot 45	Ball 5 53	Ball 13 61
6 Q65 RED-BLU 1J6-7	Captive 200K 6	Left Return 14	Drop Target O 22	Right Lane 30	Select 8 Ball 38	Shark 1 46	Ball 6 54	Ball 14 62
7 Q66 RED-VIO 1J6-8	Captive 300K 7	Right Return 15	Drop Target T 23	Right Bank Shot 31	Select 9 Ball 39	Shark 2 47	Ball 7 55	Ball 15 63
8 Q67 RED-GRY 1J6-9	Captive 500K 8	Right Drain 16	Left Bank Shot 24	Left 9 Ball Shot 32	Pool Table Lamp 40	Shark 3 48	Ball 8 56	Shoot Again 64

# LAMPS

Item	Part No.	Description
1	#555 Bulb	Captive Chalk
2	#555 Bulb	Captive 30K
3	#555 Bulb	Captive 50K
4	#555 Bulb	Captive 80K
5	#555 Bulb	Captive 100K
6	#555 Bulb	Captive 200K
7	#555 Bulb	Captive 300K
8	#555 Bulb	Captive 500K
9	#555 Bulb	Captive Million
10	#555 Bulb	Rack 1
11	#555 Bulb	Rack 2
12	#555 Bulb	Rack 3
13	#44 Bulb	Left Drain Lane
14	#44 Bulb	Left Return Lane
15	#44 Bulb	Right Return Lane
16	#44 Bulb	Right Drain Lane
17	#44 Bulb	Drop Target H
18	#44 Bulb	Drop Target O
19	#44 Bulb	Drop Target T
20	#555 Bulb	Drop Target S
21	#555 Bulb	Drop Target H
22	#555 Bulb	Drop Target O
23	#555 Bulb	Drop Target T
24	#555 Bulb	Left Bank Shot
25	#555 Bulb	Top Stand-up Target
26	#555 Bulb	Mid. Stand-up Target
27	#555 Bulb	Bot. Stand-up Target
28	#555 Bulb	Left Lane
29	#555 Bulb	Middle Lane
30	#555 Bulb	Right Lane
31	#555 Bulb	Right Bank Shot
32	#555 Bulb	Left 9 Ball Spot
33	#555 Bulb	Right 9 Ball Spot
34	#555 Bulb	Left 8 Ball Spot
35	#555 Bulb	Right 8 Ball Spot
36	#555 Bulb	Extra Ball Lt
37	#555 Bulb	Trick Shot
38	#44 Bulb	Select 8 Ball
39	#44 Bulb	Select 9 Ball
40	A-12336-3	Pool Table Lamp
41	#555 Bulb	Bonus 2X
42	#555 Bulb	Bonus 3X
43	#555 Bulb	Bonus 4X
44	#555 Bulb	Bonus 5X
45	#555 Bulb	Jackpot
46	#555 Bulb	Shark 1
47	#555 Bulb	Shark 2
48	#555 Bulb	Shark 3
49	#555 Bulb	Ball 1
50	#555 Bulb	Ball 2
51	#555 Bulb	Ball 3
52	#555 Bulb	Ball 4

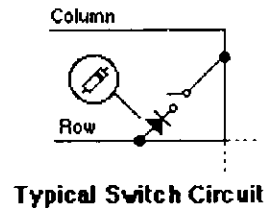
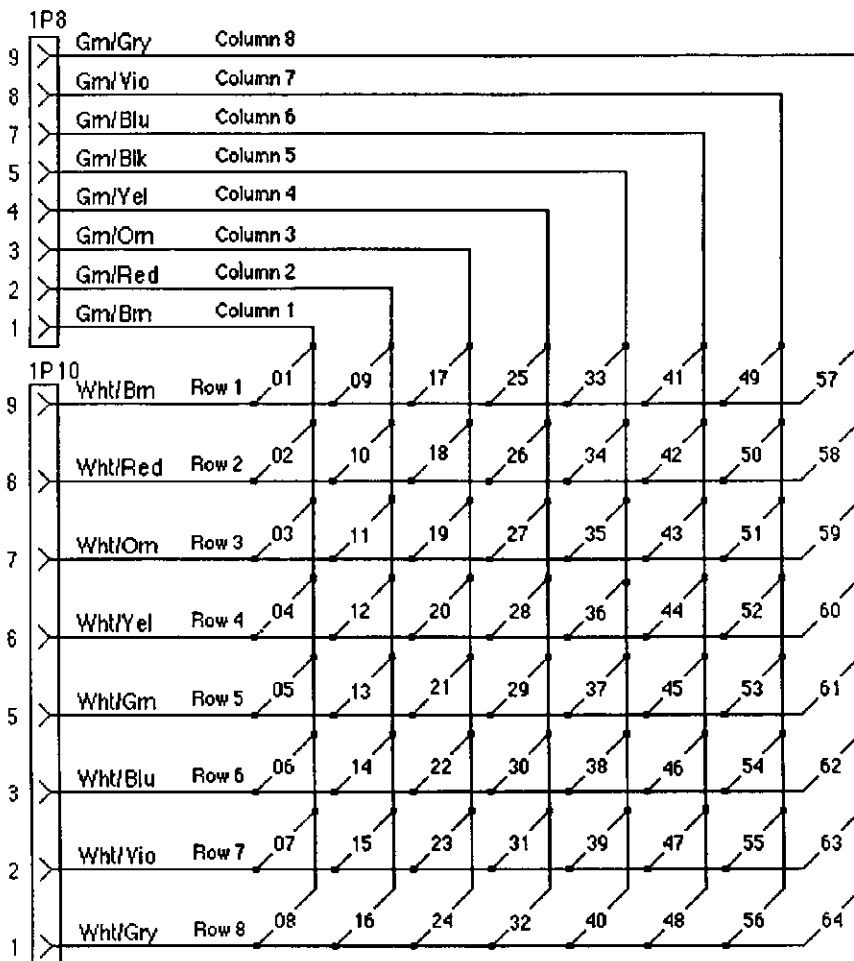


52	#555 Bulb	Ball 4
53	#555 Bulb	Ball 5
54	#555 Bulb	Ball 6
55	#555 Bulb	Ball 7
56	#555 Bulb	Ball 8
57	#555 Bulb	Ball 9
58	#555 Bulb	Ball 10
59	#555 Bulb	Ball 11
60	#555 Bulb	Ball 12
61	#555 Bulb	Ball 13
62	#555 Bulb	Ball 14
63	#555 Bulb	Ball 15
64	#44 Bulb	Shoot Again

**NOTE:**

p/n	#555 Bulb	24-8768
p/n	#44 Bulb	24-6549

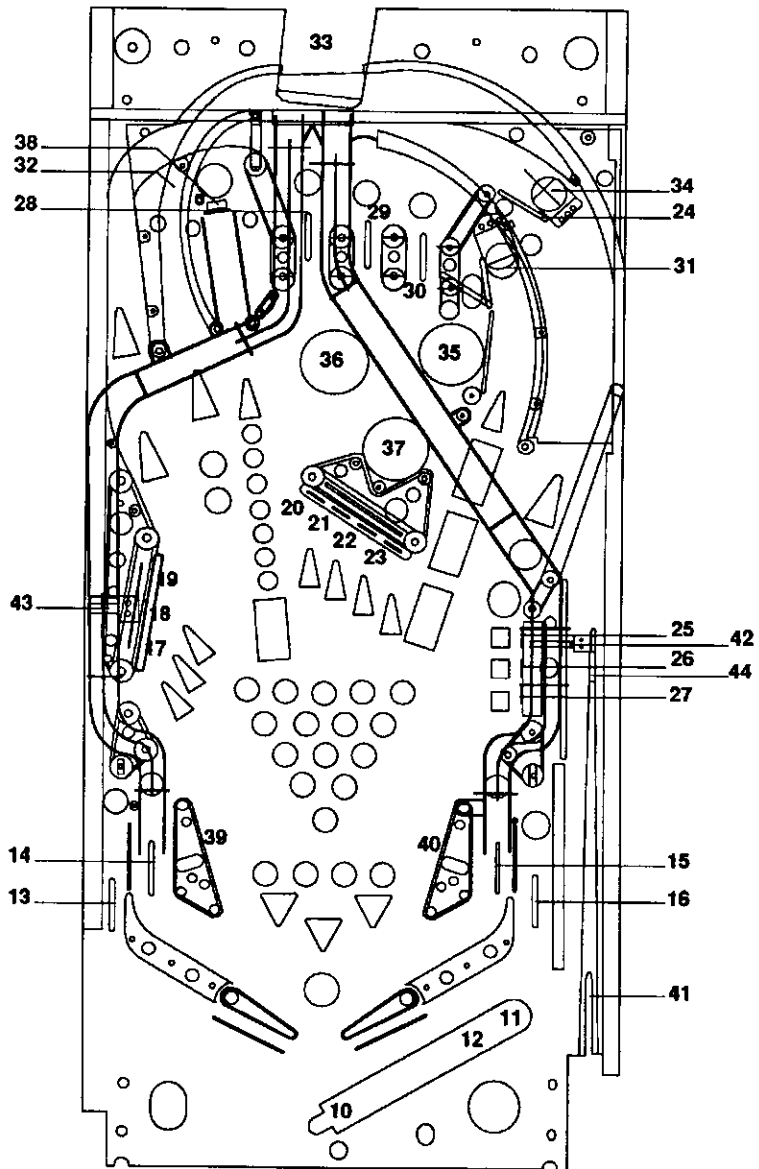
# POOL SHARKS SWITCH MATRIX



column	1 Q45	2 Q49	3 Q44	4 Q48	5 Q43	6 Q47	7 Q42	8 Q46
row	GRN-BRN 1J8-1	GRN-RED 1J8-2	GRN-ORN 1J8-3	GRN-YEL 1J8-4	GRN-BLK 1J8-5	GRN-BLU 1J8-7	GRN-VIO 1J8-8	GRN-GRY 1J8-9
1	WHT-BRN 1J10-9 Plumb Bob Tilt 1	Not Used 9	Drop Target H 17	Top Stand-up Target 25	Diverter 33	Ball Shooter 41	Not Used 49	Right Flipper 57
2	WHT-RED 1J10-8 A/C Relay Position 2	Outhole 10	Drop Target O 18	Middle Stand-up Target 26	Top Eject Hole 34	Right Return Ramp 42	Not Used 50	Left Flipper 58
3	WHT-ORN 1J10-7 Credit Button 3	Trough 1 Right 11	Drop Target T 19	Bottom Stand-up Target 27	Right Bumper 35	Left Return Ramp 43	Not Used 51	Not Used 59
4	WHT-YEL 1J10-6 Right Coin Slot 4	Trough 2 Left 12	Drop Target S 20	Left Shoot Lane 29	Left Bumper 36	Lock In Game 44	Not Used 52	Not Used 60
5	WHT-GRN 1J10-5 Center Coin Slot 5	Left Drain 13	Drop Target H 21	Middle Shoot Lane 29	Center Bumper 37	Not Used 45	Not Used 53	Not Used 61
6	WHT-BLU 1J10-3 Left Coin Slot 6	Left Return 14	Drop Target O 22	Right Shoot Lane 30	Captive Stand-up Target 38	Not Used 46	Not Used 54	Not Used 62
7	WHT-VIO 1J10-2 Slam Tilt 7	Right Return 15	Drop Target T 23	Shark Eject Hole 31	Left Sling 39	Not Used 47	Not Used 55	Not Used 63
8	WHT-GRY 1J10-1 High Score Reset 8	Right Drain 16	Enter Right Ramp 24	Enter Left Ramp 32	Right Sling 40	Not Used 48	Not Used 56	Not Used 64

# SWITCHES

Item	Part No.	Description
1	20-6502-A	Plumb Bob Tilt
2	Not Shown	A/C Relay C-Side
3	SW-1A-126	Credit Button
4	27-1092	Right Coin Sw.
5	Not Used	Center Coin Sw.
6	27-1092	Left Coin Sw.
7	27-1066	Slam Tilt
8	27-1008	High Score Reset
9		Not Used
10	A-10417	Outhole
11	5647-12073-08	Trough 1
12	5647-09957-00	Trough 2
13	A-12688	Left Drain
14	A-12688	Left Return
15	A-12688	Right Return
16	A-12688	Right Drain
17	C-13205-1	H (in Hot)
18	C-13205-1	O (in Hot)
19	C-13205-1	T (in Hot)
20	C-12499	S (in Shot)
21	C-12499	H (in Shot)
22	C-12499	O (in Shot)
23	C-12499	T (in Shot)
24	B-13243	Enter Rt. Ramp
25	B-11696-2	Top Stand-up
26	B-11696-2	Mid. Stand-up
27	B-11696-2	Bot. Stand-up
28	A-12688	Left Shoot Ln.
29	A-12688	Mid. Shoot Ln.
30	A-12688	Rt. Shoot Ln.
31	5647-12133-11	Shark Eject
32	B-13243	Enter Left Ramp
33	5647-12070-06	Diverter
34	5647-12133-11	Top Eject
35	B-13267	Right Jet
36	B-13267	Left Jet
37	B-13267	Center Jet
38	B-13267	Captive Stand-up
39	SW-1A-114	Left Sling (Kick)
	SW-1A-120	(Score)
40	SW-1A-114	Right Sling (Kick)
	SW-1A-120	(Score)
41	A-11619	Shooter
42	5647-12073-21	Right Return Ln.
43	5647-12073-21	Left Return Ln.
44	A-12688	Game Select
45 to 56		Not Used
57	A-9990	Right Flipper
58	A-9990	Left Flipper
59 to 64		Not Used



## POOL SHARKS Solenoid Table

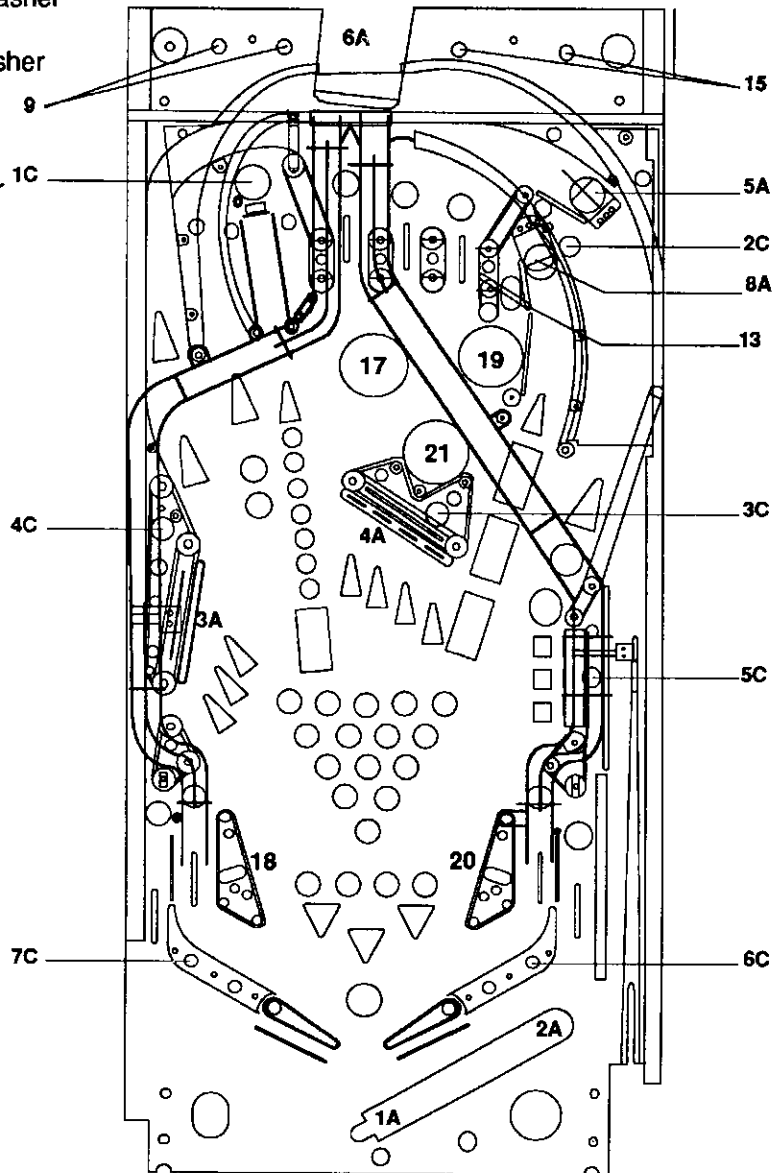
Sol. No.	Function	Solenoid Type	Wire Color	Connections		Driver Tmstr	Solenoid Part Number Flashlamp Type	
				CPU Bd	Playfield/ Cabinet		d= Display Bd; p=Playfield	
01A <sup>3</sup>	Outhole	Switched	{ Vio-Brn	1P11-1	5J1-9; 5J4-9 (A)	Q33	AE-23-800	
01C <sup>3</sup>	Captive Ball Flasher	Switched	{ Blk-Brn	(Gry-Brn)	5J5-9 (C)	Q33	#906 flashlamp	1p
02A <sup>3</sup>	Ball Shooter Lane Feeder	Switched	{ Vio-Red	1P11-3	5J1-7; 5J4-8 (A)	Q25	AE-23-800	
02C <sup>3</sup>	Shark Flasher	Switched	{ Blk-Red	(Gry-Red)	5J5-8 (C)	Q25	#89 flashlamp	1p
03A <sup>3</sup>	Left Drop Target	Switched	{ Vio-Orn	1P11-4	5J1-6; 5J4-7 (A)	Q32	AE-26-1200	
03C <sup>3</sup>	Right Drop Target Flasher	Switched	{ Blk-Orn	(Gry-Orn)	5J5-7 (C)	Q32	#89 flashlamp	1p
04A <sup>3</sup>	Right Drop Target	Switched	{ Vio-Yel	1P11-5	5J1-5; 5J4-6 (A)	Q24	AE-23-800	
04C <sup>3</sup>	Left Drop Target Flasher	Switched	{ Blk-Yel	(Gry-Yel)	5J5-5 (C)	Q24	#89 flashlamp	1p
05A <sup>3</sup>	Eject Hole	Switched	{ Vio-Grn	1P11-6	5J1-4; 5J4-5 (A)	Q31	AE-23-800	
05C <sup>3</sup>	Standups Flasher	Switched	{ Blk-Grn	(Gry-Grn)	5J5-4 (C)	Q31	#89 flashlamp	1p
06A <sup>3</sup>	Diverter	Switched	{ Vio-Blu	1P11-7	5J1-3; 5J4-4 (A)	Q23	AE-23-800	
06C <sup>3</sup>	Right Flipper Flasher	Switched	{ Blk-Blu	(Gry-Blu)	5J5-3 (C)	Q23	#89 flashlamp	1p
07A <sup>3</sup>	Knocker	Switched	{ Vio-Blk	1P11-8	5J1-2; 5J4-2 (A)	Q30	AE-23-800	
07C <sup>3</sup>	Left Flipper Flasher	Switched	{ Blk-Vio	(Gry-Vio)	5J5-2 (C)	Q30	#89 flashlamp	1p
08A <sup>3</sup>	Shark Eject Hole	Switched	{ Vio-Gry	1P11-9	5J1-1; 5J4-1 (A)	Q22	AE-23-800	
08C <sup>3</sup>	Marquee Flasher	Switched	{ Blk-Gry	(Gry-Blk)	5J5-1 (C)	Q22	#89 flashlamps	1b
09	Back Left Flasher	Controlled	Brn-Blk	1P12-1	5J2-9; 5J6-9; 2J4-3	Q17	#89 flashlamp	1p
10	Playfield Gni Illum Relay	Controlled	Brn-Red	1P12-2	5J2-8; 5J6-8; 2J4-5	Q9	5580-09555-01 <sup>4a</sup>	
11	Insert Illum Relay	Controlled	Brn-Orn	1P12-4	5J2-6; 5J6-7; 2J4-6	Q16	5580-09555-01 <sup>4a</sup>	
12	A/C Select Relay	Controlled	Brn-Yel	1P12-5	5J2-5	Q8	5580-09555-01 <sup>5</sup>	
13	Right Shark	Controlled	Brn-Grn	1P12-6	5J2-4; 5J6-5	Q15	SM2-35-4000	
14	Not Used	Controlled	Brn-Blu	1P12-7	5J2-4; 5J6-3	Q7		
15	Back Right Flasher	Controlled	Brn-Vio	1P12-8	5J2-2; 5J6-2	Q14	#89 flashlamp	
16	Backglass Tiger	Controlled	Brn-Gry	1P12-9	5J2-1; 5J6-1	Q6	#89 flashlamp	
17	Left Jet Bumper	Special #1	Blu-Brn	1P19-7	5J3-7; 5J7-7	Q75	AE-23-800	
18	Left Kicker (sling)	Special #2	Blu-Red	1P19-4	5J3-6; 5J7-6	Q71	AE-26-1500	
19	Right Jet Bumper	Special #3	Blu-Orn	1P19-3	5J3-3; 5J7-3	Q73	AE-23-800	
20	Right Kicker (sling)	Special #4	Blu-Yel	1P19-6	5J3-4; 5J7-5	Q69	AE-26-1500	
21	Center Jet Bumper	Special #5	Blu-Grn	1P19-8	5J3-2; 5J7-2	Q77	AE-23-800	
22	Not Used	Special #6	Blu-Blk	1P19-9	5J3-1; 5J7-1	Q79		
-	Right Flipper	-	Orn-Vio (Blu-Vio) <sup>2</sup>	1P19-1	2J5-5; 2J10-7 (2J10-1; 2J8-15)	-	FL11630/50VDC	
-	Left Flipper	-	Orn-Gry (Blu-Gry) <sup>2</sup>	1P19-2	2J5-4; 2J10-8 (2J10-2; 2J8-4)	-	FL11630/50VDC	

**Notes:** 1. Wire colors, except flipper Orn-Vio and Orn-Gry, are ground connections (to coil terminal with unbanded end of diode). Flipper Orn-Vio and Orn-Gry wires connect from CPU Board to flipper switch. 2. Flipper connections shown in braces are from flipper switch to flipper coil. 3. "A" circuits are pulsed, when Sol. 12 is de-energized; "C" circuits are pulsed, with Sol. 12 energized. Wire colors in brackets are those from respective A and C terminals corresponding to the J1-terminal connection listed for the Aux Power Driver Bd, which controls the device pulsing by Sol. 12. 4. Relay is mounted on Relay Bd, (4a) p/n C-11998-1; (4b) C-11902-1. 5. Relay is mounted on Aux Power Driver Bd, D-12247 in the backbox.



# SOLENOIDS

Item	Part No.	Description
01A	AE-23-800	Outhole
01C	#906 flashlamp	Captive Flasher
02A	AE-23-800	Ball Shooter Lane Feeder
02C	#89 flashlamp	Shark Flasher
03A	AE-26-1200	Left Drop Target
03C	#89 flashlamp	Right Drop Target Flasher
04A	AE-23-800	Right Drop Target
04C	#89 flashlamp	Left Drop Target Flasher
05A	AE-23-800	Top Eject Hole
05C	#89 flashlamp	Stand-up Flashers
06A	AE-23-800	Diverter
06C	#89 flashlamp	Right Flipper Flasher
07A	AE-23-800	Knocker
07C	#89 flashlamp	Left Flipper Flasher
08A	AE-23-800	Shark Eject Hole
08C	#906 flashlamp	Marquee Flasher
09	#89 flashlamp	Back Left Flasher
10	5580-09555-01	Playfield G.I.
11	5580-09555-01	Insert G.I.
12	5580-09555-01	A/C Select Relay
13	SM2-35-4000	Right Shark
14		Not Used
15	#89 flashlamp	Back Right Flasher
16		Not Used
17	AE-23-800	Left Jet Bumper
18	AE-26-1500	Left Sling
19	AE-23-800	Right Jet Bumper
20	AE-26-1500	Right Sling
21	AE-23-800	Center Jet Bumper
22		Not Used
	FL-11630	Left Flipper
	FL-11630	Right Flipper



# PLAYFIELD PARTS

## Major Assemblies

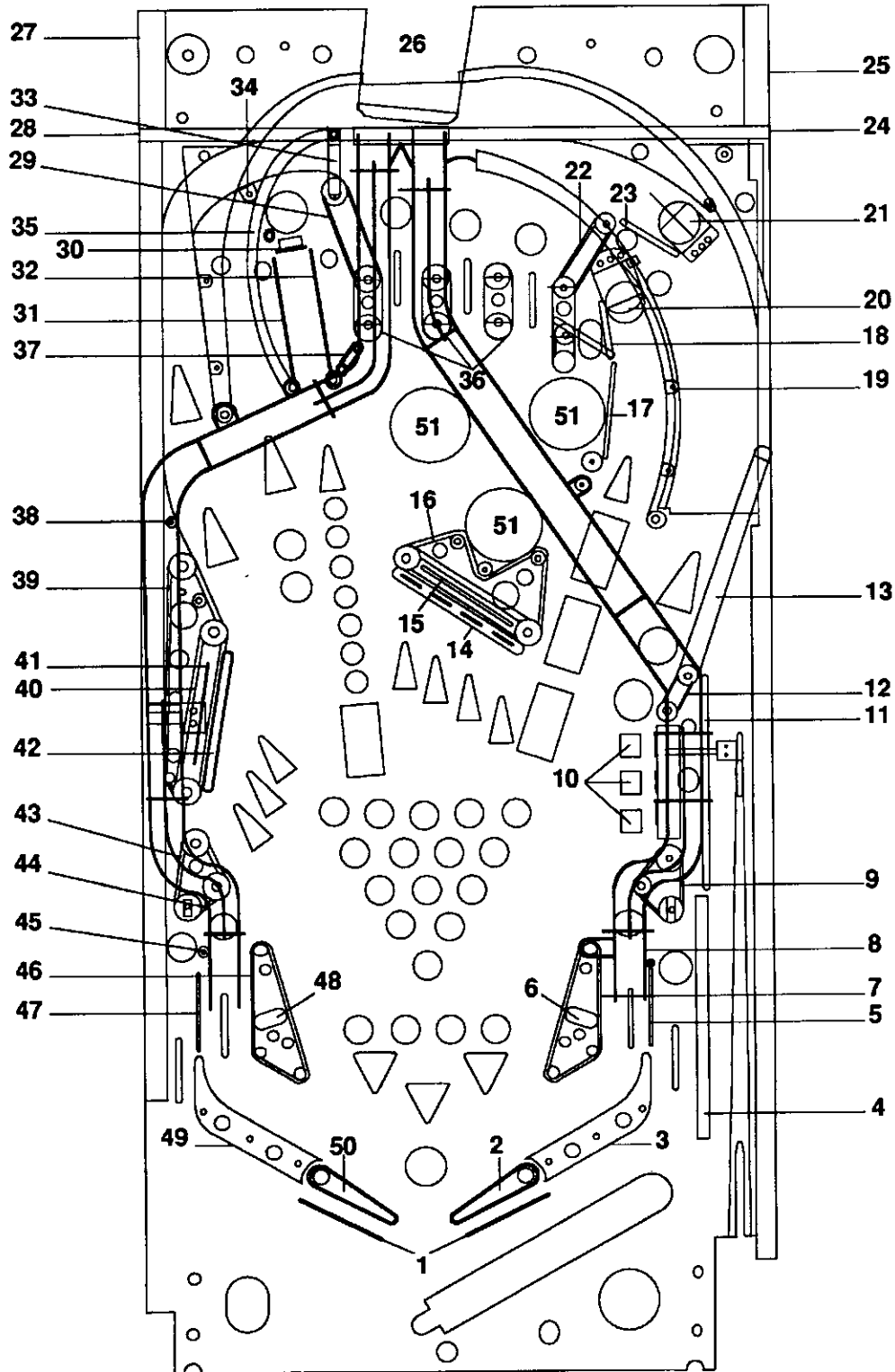
Item	Part No.	Description
1	12-6468	Anti-rebound Wire
2	C-11626-R-3	Flipper Assembly
3	01-6794-R-1	Ball Guide
4	11-940-E	Wood Rail
5	12-6466-8	Ball Wire
6	B-12665	Kicker Assembly
7	23-6306	Rubber Ring 2-1/2"
8	C-13429	Wire Ramp
9	23-6303	Rubber Ring 1-1/4"
10	B-11696-2	Stand-up Target
11	12-6466-28	Ball Guide
12	23-6302	Rubber Ring
13	B-13409	Ball Gate Assembly
14	C-13450	4 Bank Drop Target
15	12-6466-12	Ball Guide
16	23-6306	Rubber Ring 2-1/2"
17	12-6466-12	Ball Guide
18	12-6466-8	Ball Guide
19	B-13465	Ball Guide
20	B-9361-R-5	Eject Hole
21	B-9361-R-5	Eject Hole
22	23-6304	Rubber Ring 1-1/4"
23	12-6466-8	Ball Guide
24	11-940-C	Wood Rail
25	11-941	Wood Rail
26	C-13430	Diverter
27	11-941	Wood Rail
28	11-940-B	Wood Rail
29	23-6304	Rubber Ring 1-1/4"
30	B-11696-5	Stand-up Target
31	12-6466-16	Ball Guide
32	12-6466-12	Ball Guide
33	A-13244	Ball Gate Assembly
34	B-13241	Ball Guide
35	D-13242	Plastic Ramp
36	23-6300	Rubber Ring 5/16"
37	23-6301	Rubber Ring 3/4"
38	D-13240	Ball Guide
39	23-6309	Rubber Ring 4"
40	23-6306	Rubber Ring 2-1/2"
41	12-6466-12	Ball Guide
42	C-11223-3	3 Bank Drop Target
43	23-6304	Rubber Ring 1-1/4"
44	C-13428	Wire Ramp
45	23-6535	Rubber Ring (Bumper)

Item	Part No.	Description
46	23-6306	Rubber Ring 2-1/2"
47	12-6466-8	Ball Guide
48	B-12665	Kicker Assembly
49	01-6794-L-1	Ball Guide
50	C-11626-L-3	Flipper Assembly
51	B-12872	Jet Bumper

## Parts Under Bottom Arch

Part No.	Description
A-8645	Wireform & Bracket
A-10417	Microswitch Assembly
A-11680	Sub-mini Switch Assembly
B-8623	Guide & Baffle Assembly
B-9362-L-1	Coil & Bracket Assembly
B-11348	Single Switch Plate Assy
C-8235	Ball Runway Assembly
C-9638	Ball Shooter Lane Feeder
01-3569-1	Ball Return Runway
01-8419	Holdown Bracket
10-128	Kicker Spring
12-6542	Wireform

# Playfield Parts



## Left Lane Wire Ramp Assembly p/n C-13428

Part No.	Description
H-13516	Left Return Cable
01-8240	Nut Plate
01-8600	Switch Insulator
12-6899	Left Lane Wire
4002-01005-08	M.S. 2-56 x 1/2 P-PH
4701-00024-00	LW #2 Splft
5070-06258-00	Diode 1N4001
5647-12073-21	Submini Switch

## Right Lane Wire Ramp Assembly p/n C-13429

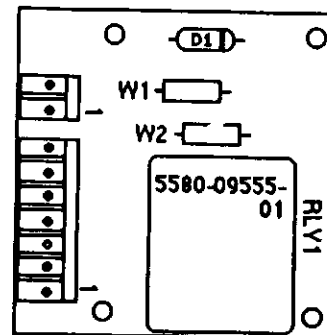
Part No.	Description
H-13518	Right Return Cable
01-8240	Nut Plate
01-8600	Switch Insulator
12-6900	Right Lane Wire
4002-01005-08	M.S. 2-56 x 1/2 P-PH
4701-00024-00	LW #2 Splft
5070-06258-00	Diode 1N4001
5647-12073-21	Submini Switch

## Ramp Assembly p/n D-13242

Part No.	Description
03-8351	Ramp
01-9434	Left Flap
01-9435	Right Flap
B-13243	Ball Gate & Switch Assy
C-13464	Ball Guide Assembly Ramp
01-9540	Ball Guide Ramp
03-8022-1	Spacer
4406-01119-00	Nut 6-32 ESN
03-8382	Switch Cover
03-8381	Switch Cover
07-6688-17N	Rivet 1/8 x 5/32 LG
4700-00003-00	FW .125 x .281 x .032
H-13514	Right Side Ramp Cable
H-13515	Left Side Ramp Cable
07-6688-19N	Rivet 1/8 x 7/32 LG
4006-01005-28	M.S. 6-32 x 1-3/4 P-PH
4106-01033-08	SMS #6 x 1/2 P-TR-HD

## Relay Board p/n C-11998-1

Part No.	Description
5010-09534-00	Resistor, 0Ω
5070-09054-00	Diode, 1N4004, 1.0A
5580-09555-01	Relay, DPDT, 24V, 13A
5768-12243-00	Bare PCB
5791-12273-02	Header, 2 pin Sq. .156
5791-12273-07	Header, 7 pin Sq. .156



**Single Flash Lamp Assembly**  
p/n B-12156

Part No.	Description
24-8802	#906 Bulb, 13V
24-8803	Twist Lamp Socket
5768-12297-00	Bare PCB

**Single Lamp Assembly**  
p/n B-12224

Part No.	Description
24-8768	#555 Bulb, 6.3V
24-8767	Twist Lamp Socket
5070-09054-00	Diode, 1N4004, 1.0A
5768-12312-00	Bare PCB

**Top 3 Lamp Assembly**  
p/n C-12000

Part No.	Description
24-8768	#555 Bulb, 6.3V
24-8767	Twist Lamp Socket
5070-09054-00	Diode, 1N4004, 1.0A
5768-12245-00	Bare PCB
5791-10871-05	Header, 5 pin Sq. .156

**Playfield Lamp Target Assembly**  
p/n C-12709

Part No.	Description
24-8768	#555 Bulb, 6.3V
24-8767	Twist Lamp Socket
5070-09054-00	Diode, 1N4004, 1.0A
5768-12409-00	Bare PCB
5791-10871-05	Header, 5 pin Sq. .156

**4 Lamps Playfield Assembly**  
p/n C-12877

Part No.	Description
24-8768	#555 Bulb, 6.3V
24-8767	Twist Lamp Socket
5070-09054-00	Diode 1N4004, 1.0A
5768-12452-00	Bare PCB
5791-10871-06	Header, 6 pin Sq. .156

**15 Lamp Rack Assembly**  
p/n C-13414

Part No.	Description
24-8768	#555 Bulb, 13V
24-8767	Twist Lamp Socket
5070-09054-00	Diode, 1N4004, 1.0A
5010-09534-00	Resistor, 0Ω
5768-12596-00	Bare PCB
5791-10871-11	Header, 11 pin Sq.

**7 Lamp Multiplier Assembly**  
p/n C-13433

Part No.	Description
24-8768	#555 Bulb, 6.3V
24-8767	Twist Lamp Socket
5070-09054-00	Diode, 1N4004, 1.0A
5768-10871-07	Bare PCB
5791-10871-07	Header, 7 pin Sq. .156

**5 Lamp Jackpot Assembly**  
p/n C-13444

Part No.	Description
24-8802	#906 Bulb, 13V
24-8768	#555, 6.3V
24-8803	Twist Lamp Socket
24-8767	Twist Lamp Socket
5070-09054-00	Diode, 1N4004
5768-12605-00	Bare PCB
5791-10871-07	Header, 7 pin Sq.

**Pool Cue Lamp Assembly**  
p/n C-13501

Part No.	Description
24-8768	#555 Bulb, 6.3V
24-8767	Twist Lamp Socket
5070-09054-00	Diode, 1N4004, 1.0A
5768-12607-00	Bare PCB
5791-10871-11	Header 11 pin, Sq.

## Backbox Parts List

Part No.	Description
A-12497	Upper Hinge Assembly
A-12498	Lower Hinge Assembly
A-8552-2014	Backglass Assembly
B-10686-1	Knocker Assembly
C-11602-1	Cap & Cable Assembly
D-11581-2014	Audio Board Assembly
D-11883-2014	CPU Board Assembly
D-12246	Power Supply
D-12247	Aux Power Driver
D-12313-2014	Master Interconnect Brd
D-12501	Bally Right Display
D-12706	Bally Left Display
D-13323-1	Speaker Panel Assembly
20-9637	Lock & Cam Kit
5555-12015-00	6" Round Speaker 4Ω
5555-12068-00	4" Piezo Speaker 50W
D-13336	PCB Mounting Plate Assy
01-6655	Insert Latch
01-6571	Hinge Mounting Bracket
01-6645	Vent Screen
01-6652	Stop Bracket
01-8397	Trunk Latch Bracket
01-9295-1	Hold Down Bracket
03-8230-3	Glass Retainer
20-9504-10	Display Mounting Standoff
31-1537-2014	Screened Marquee

## Miscellaneous Parts List

Part No.	Description
A-8550-1	Pot & Bracket Assembly
A-5610-12136	Transformer 115V/230
C-10843-1	Bally Metal Leg Assembly
C-11026	Line Filter Assembly
C-13155-1	Coin Door Assembly
D-11920-10	Mech. Panel Assembly
D-12615	Front Molding Assembly
01-2263-3	Gray Metal Leg
01-3569-1	Ball Return Runway
01-6733	Speaker Grille
01-8169	Vent Hole Screen
08-7028-T	Playfield Glass
09-17002-26	USA Coin Door
09-8803	25¢ Rejector
16-9081	Price Card
24-6549	Bulb #44
24-8704	Bulb #89
24-8768	Bulb #555
24-8802	Bulb #906

## Cable List

Part No.	Description
H-10978	A.C. Cable
H-11834	18V Rectifier Cable
H-11835	Knocker Cable
H-12190-2014	2014 Backbox Cable
H-12190-553	Secondary Cable
H-12192-573	Cabinet Cable
H-12199	Lamp Interconnect Cable
H-12200	Switch Interconnect Cable
H-12299-2003	Logic/Power Speaker Cbl
H-12775	Speaker Panel Cable
H-12776	Main Display Cable
H-13474	2014 Switch Cable
H-13475	2014 Lamp Cable
H-13476	2014 Solenoid Cable
H-13477	2014 Inset Cable
H-13514	Right Side Ramp Cable
H-13514	Left Side Ramp Cable

## Cable List Continued...

Part No.	Description
H-13516	Left Return Cable
H-13517	Diverter Cable
H-13518	Right Return Cable
H-13519	Overhead Lamp Cable
H-8527	Volume Control Cable

## Unique Parts

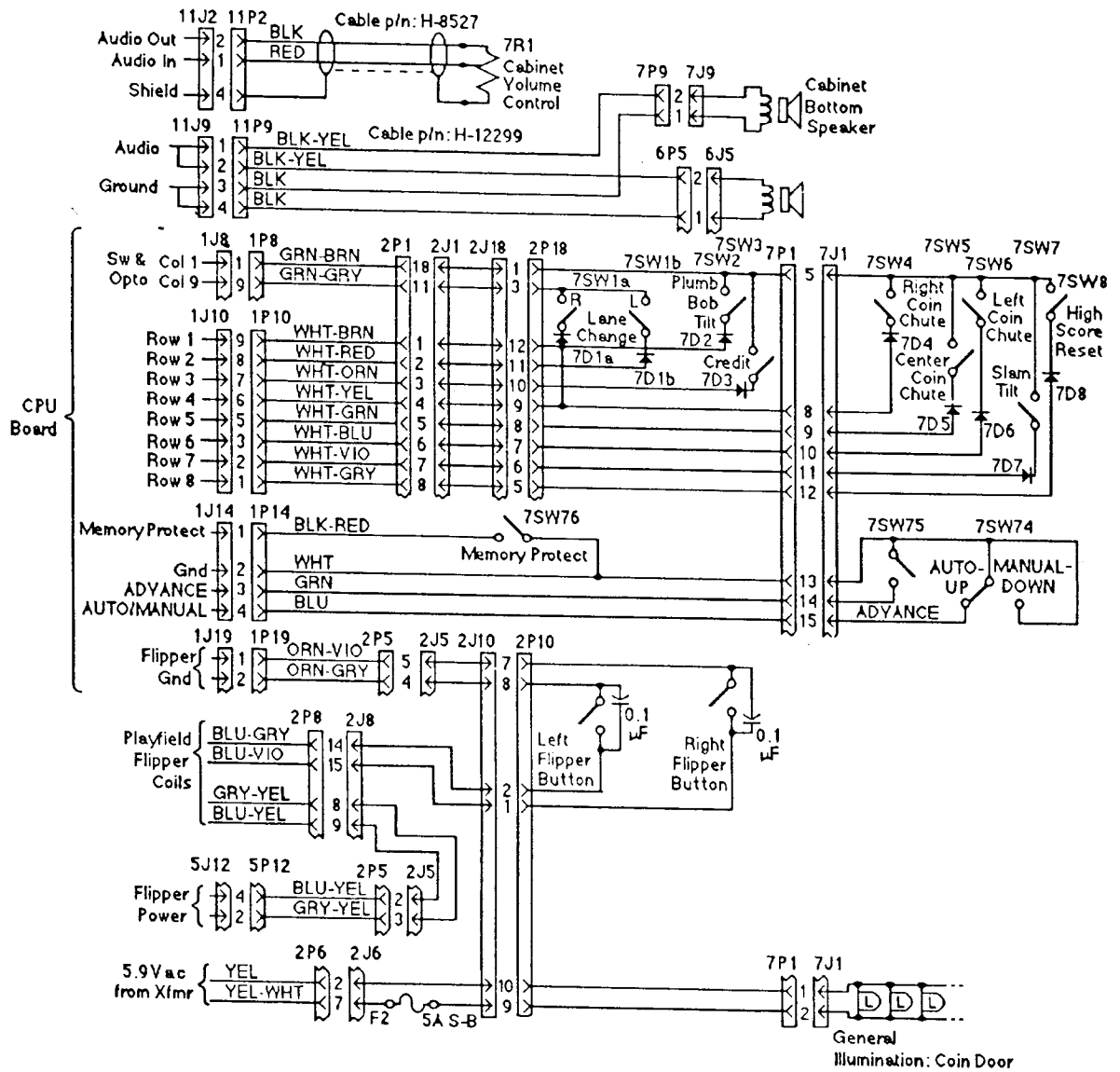
Part No.	Description	Part No.	Description
A-11-2014-PL	Playfield Inset	12-6899	Left Lane Wire
B-13431	Plunger Assembly	12-6900	Right Lane Wire
B-13454	Pool Lamp Assembly	12-6901	Shark Actuator
B-13466	Shark Assembly	16-2014-1	Instruction Card
C-13414	15 Lamp Rack Assembly	16-2014-101	Instruction Manual
C-14328	Left Lane Wire Assembly	16-2014-103	Operating Manual
C-13429	Right Lane Wire Assembly	2014-BB	Pool Sharks Backbox
C-13430	Diverter Assembly	2014- IN	Pool Sharks Insert
C-13433	7 Lamp Multiplier Assy	2014-PL	Pool Sharks Playfield
C-13444	5 Lamp Jackpot Assembly		
C-13450	4 Bank Drop Target Assy	31-1002-2014	Screened Playfield
C-13501	Pool Cue Lamp Assy	31-1009-2014	Screened Shooter Gauge
D-13242	Ramp Assembly	5647-12073-36	Sub-mini Micro Switch
H-13474	2014 Switch Cable		
H-13475	2014 Lamp Cable		
H-13476	2014 Solenoid Cable		
H-13514	Right Side Ramp Cable		
H-13515	Left Side Ramp Cable		
H-13516	Left Return Cable		
H-13517	Diverter Cable		
H-13518	Right Return Cable		
H-13519	Overhead Lamp Cable		
01-9432	Switch Gate Bracket		
01-9434	Right Flap		
01-9435	Left Flap		
01-9539	Wire Support Bracket		
01-9541	Diverter Mounting Bracket		
01-9546	4-bank Drop Tgt Bracket		
01-9547	4-bank Reset Plate		
01-9548	Coil Mounting Bracket		
01-9552	Shark Mounting Clip		
01-9616	Ball Deflector		
02-4437	Support Post		
02-4439	Diverter Gate Shaft		
03-7960-2014-1	Playfield Mylar		
03-7960-2014-2	Playfield Mylar		
03-8351	Ramp		
03-8381	Switch Cover		
03-8382	Switch Cover		
03-8383	Pool Lamp		
11-2014-PL	Wood Playfield		

**Pinout Table for Display Glasses used on  
Bally L-Display Board (D-12706)  
and R-Display Board (D-12502)**

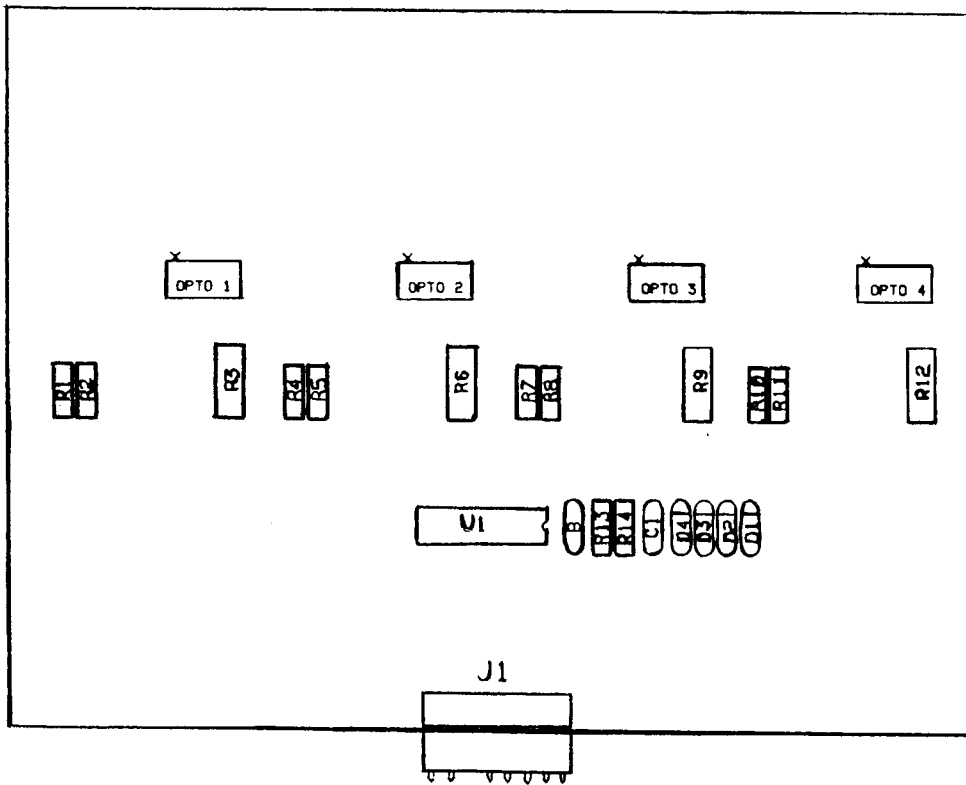
(Also applicable to Williams Master Display, D-12232-1 and D-12232-2)

Board Pin #	Glass Pin #	Signal/ Function	Board Pin #	Glass Pin #	Signal/ Function	Board Pin #	Glass Pin #	Signal/ Function
1	1	Not connected	25	31	Strobe 11	36	61	Strobe 6
2	2	Segment A		32	cut		62	cut
3	3	Segment J	26	33	Strobe 11	37	63	Strobe 5
4	4	Segment B		34	cut		64	cut
5	5	Strobe 16		35	cut	38	65	Strobe 5
6	6	Segment K		36	cut		66	cut
7	7	Strobe 16	27	37	Strobe 10		67	cut
8	8	Segment H		38	cut		68	cut
9	9	Segment F	28	39	Strobe 10	39	69	Strobe 4
10	10	Segment M		40	cut		70	cut
11	11	Strobe 15	29	41	Strobe 9	40	71	Strobe 4
12	12	Segment C		42	cut		72	cut
13	13	Strobe 15	30	43	Strobe 9		73	cut
14	14	Not connected		44	cut		74	cut
15	15	Strobe 14		45	cut	41	75	Strobe 3
16	16	Dot		46	cut		76	cut
17	17	Strobe 14	31	47	Strobe 8	42	77	Strobe 3
18	18	Segment D		48	cut		78	cut
19	19	Strobe 13	32	49	Strobe 8	43	79	Strobe 2
20	20	Dot		50	cut	44	80	Comma
21	21	Strobe 13		51	cut	45	81	Strobe 2
22	22	Not connected		52	cut	46	82	Segment P
	23	cut	33	53	Strobe 7	47	83	Segment R
	24	cut		54	cut	48	84	Segment E
23	25	Strobe 12	34	55	Strobe 7	49	85	Strobe 1
	26	cut		56	cut	50	86	Segment N
24	27	Strobe 12	35	57	Strobe 6	51	87	Strobe 1
	28	cut		58	cut	52	88	Segment
	29	cut		59	cut	53	89	- 100V dc
	30	cut		60	cut			

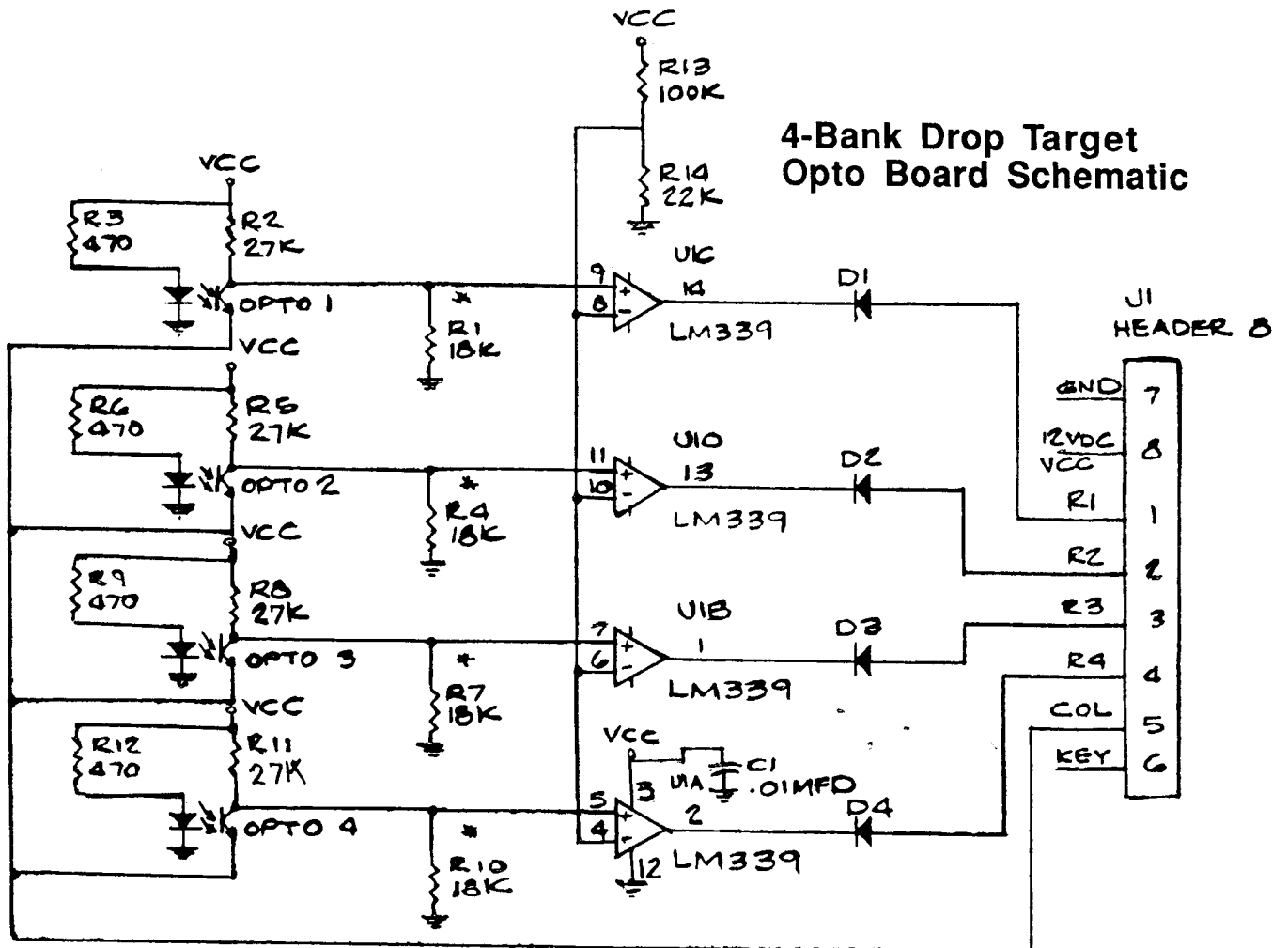




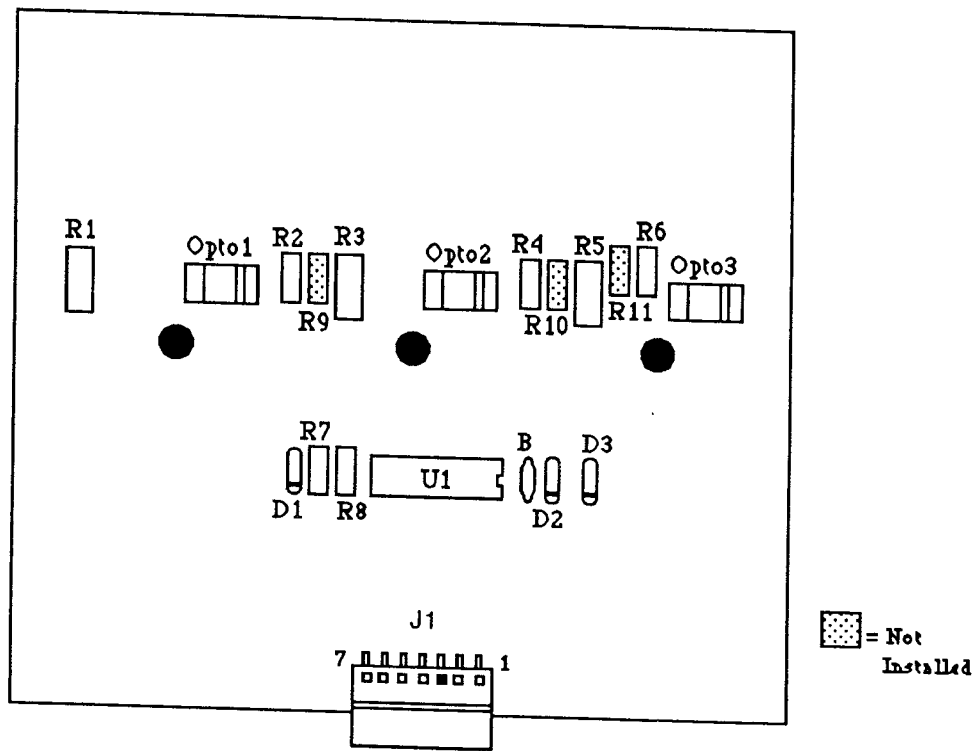
## POOL SHARK Cabinet Wiring



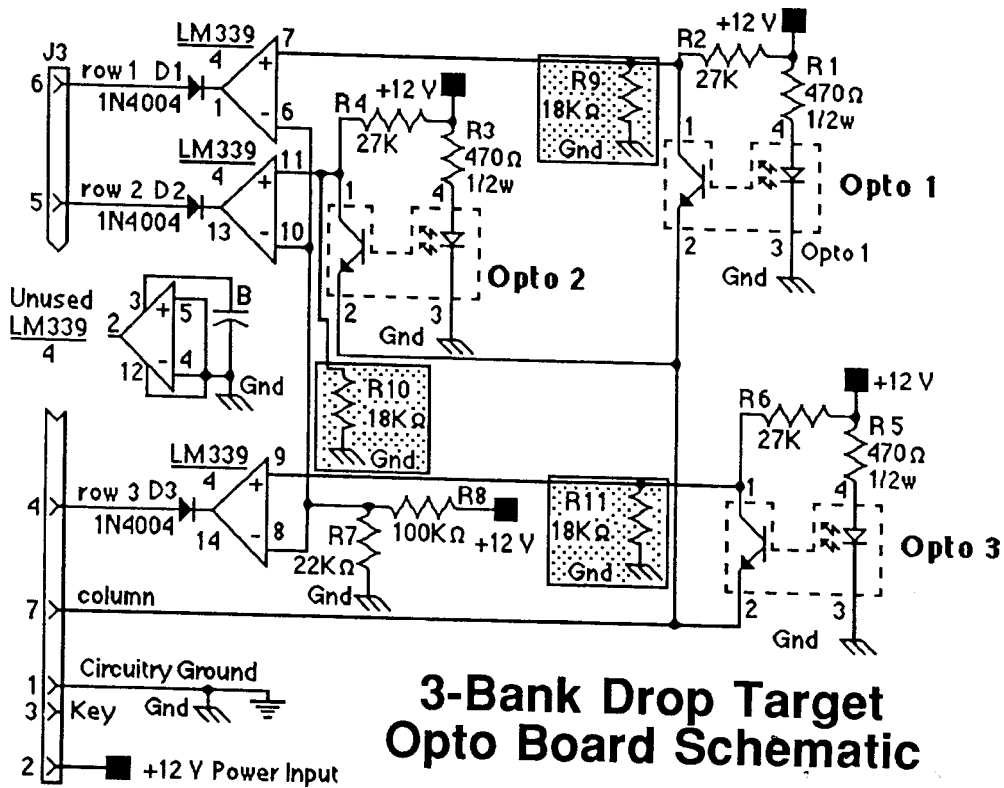
4-Bank Drop Target Opto Board  
p/n C-12944

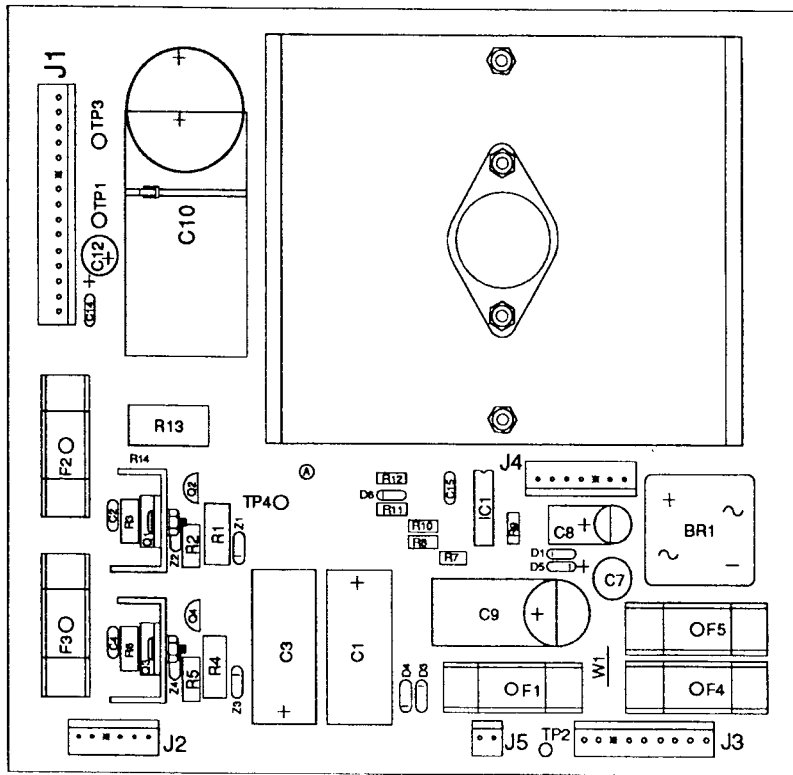


4-Bank Opto Board 3-3



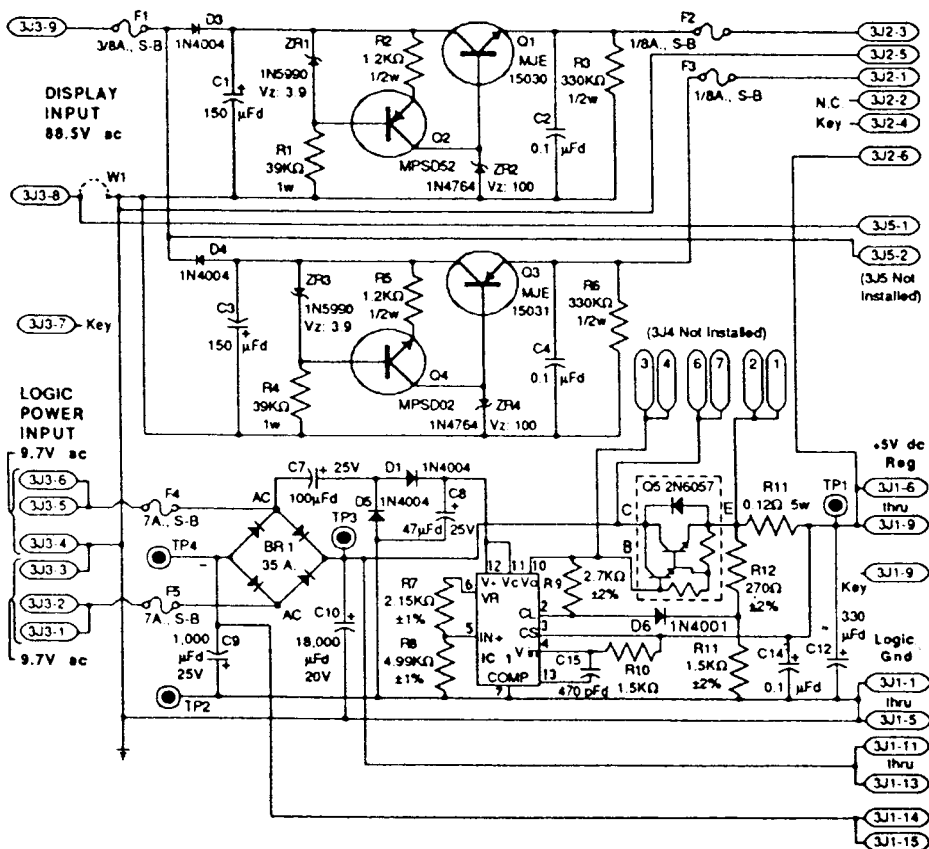
**3-Bank Drop Target Opto Board**  
p/n C-13205-1

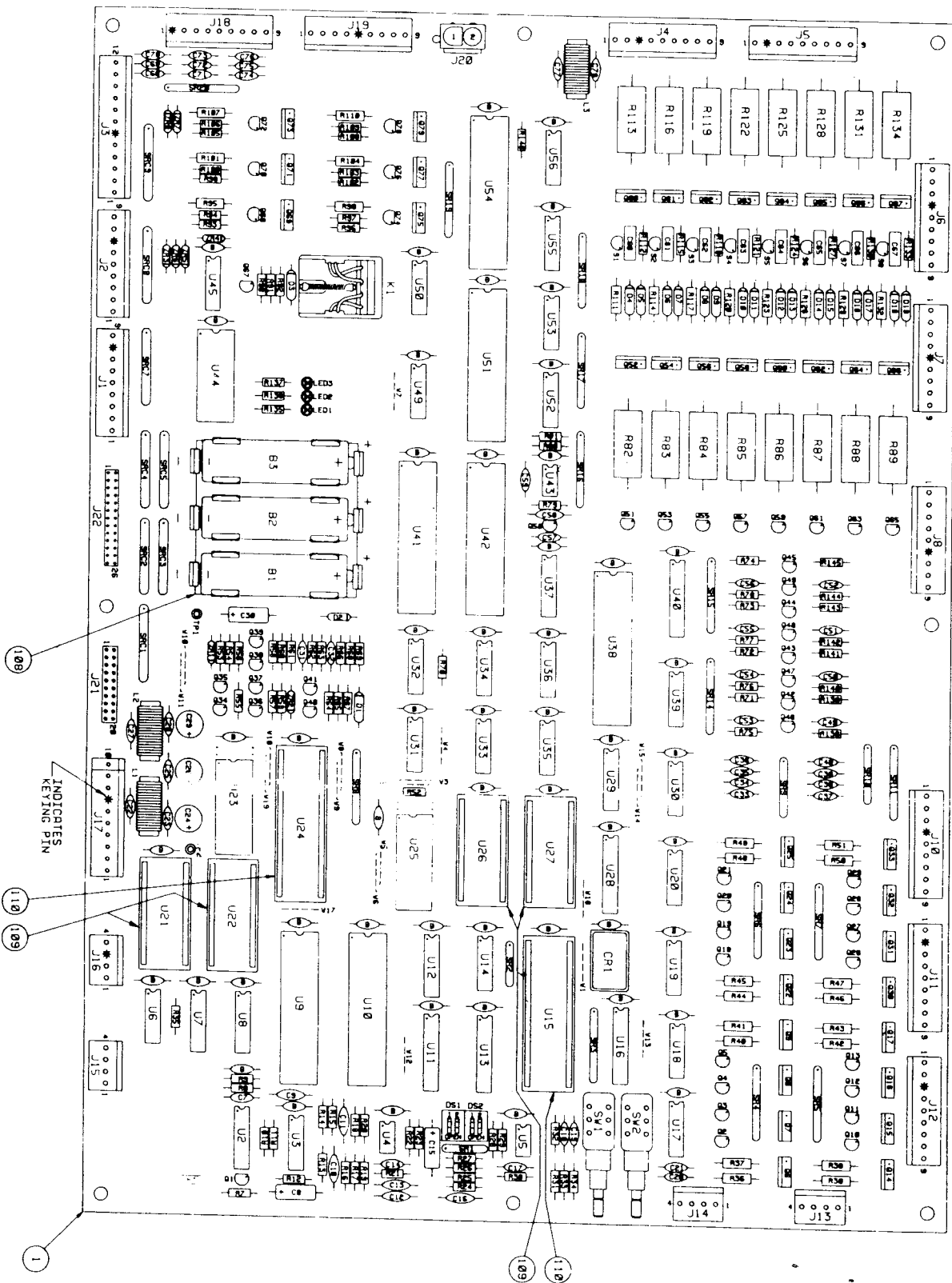




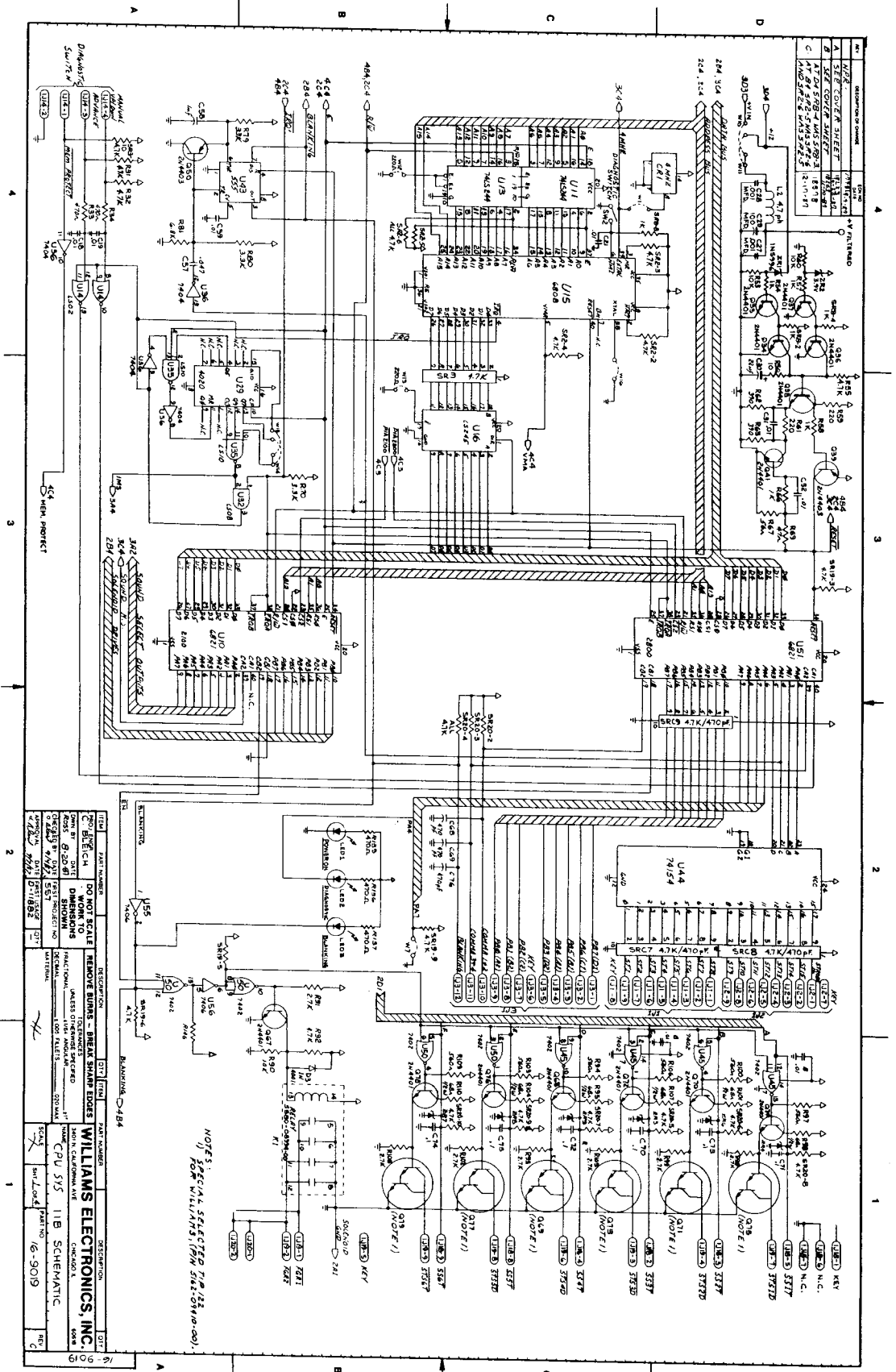
**Power Supply Board**  
p/n D-12246

**Power Supply Board Schematic**





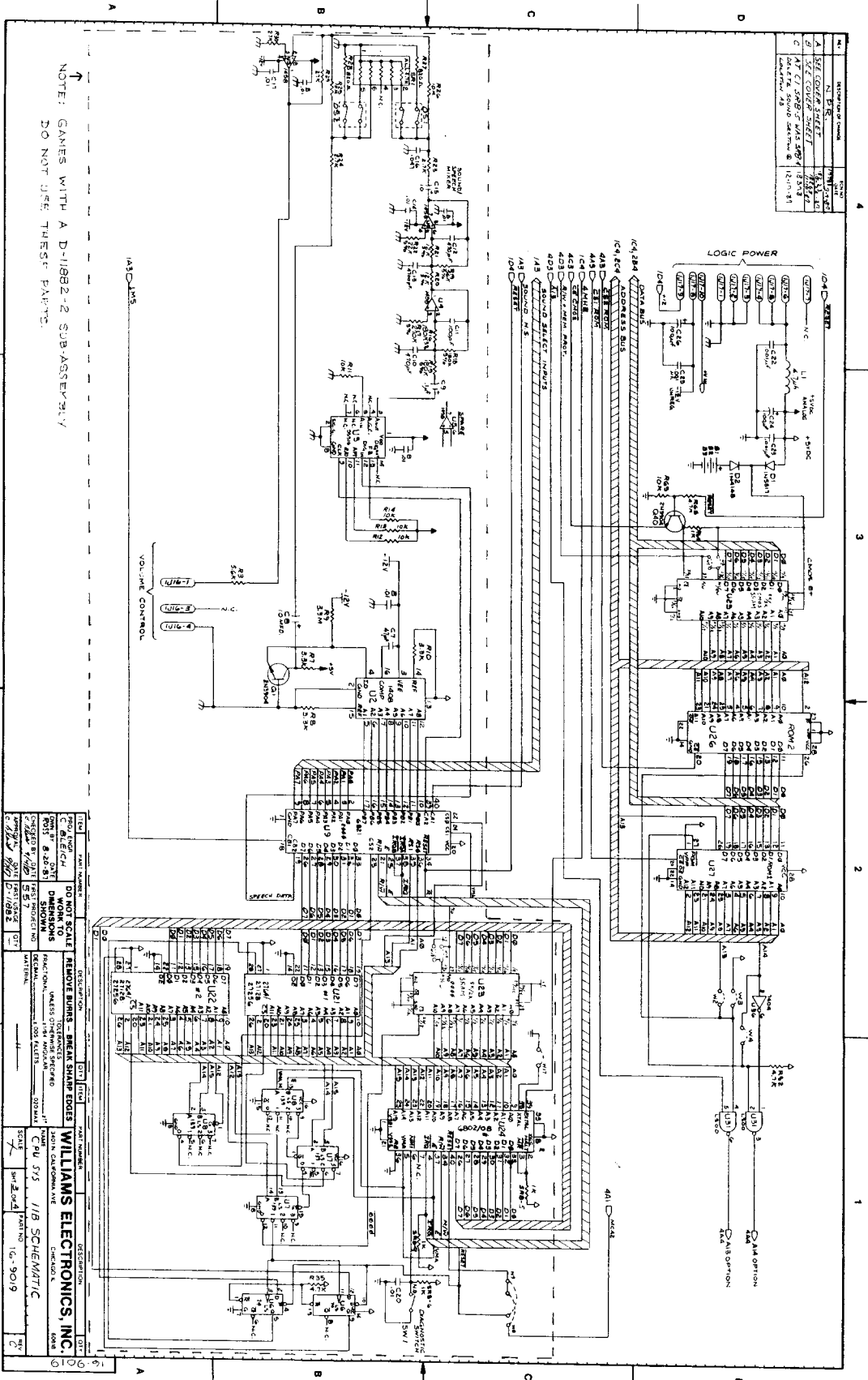
CPU Board (D-11883)



ITEM	PART NUMBER	DESCRIPTION	QTY	UNIT	REMARKS
1	11B	CPU 515	1	SCHEMATIC	
2	11B	CPU 515	1	SCHEMATIC	
3	11B	CPU 515	1	SCHEMATIC	
4	11B	CPU 515	1	SCHEMATIC	
5	11B	CPU 515	1	SCHEMATIC	
6	11B	CPU 515	1	SCHEMATIC	

CPU Schematic (16-9019, Sheet 1 of 4)





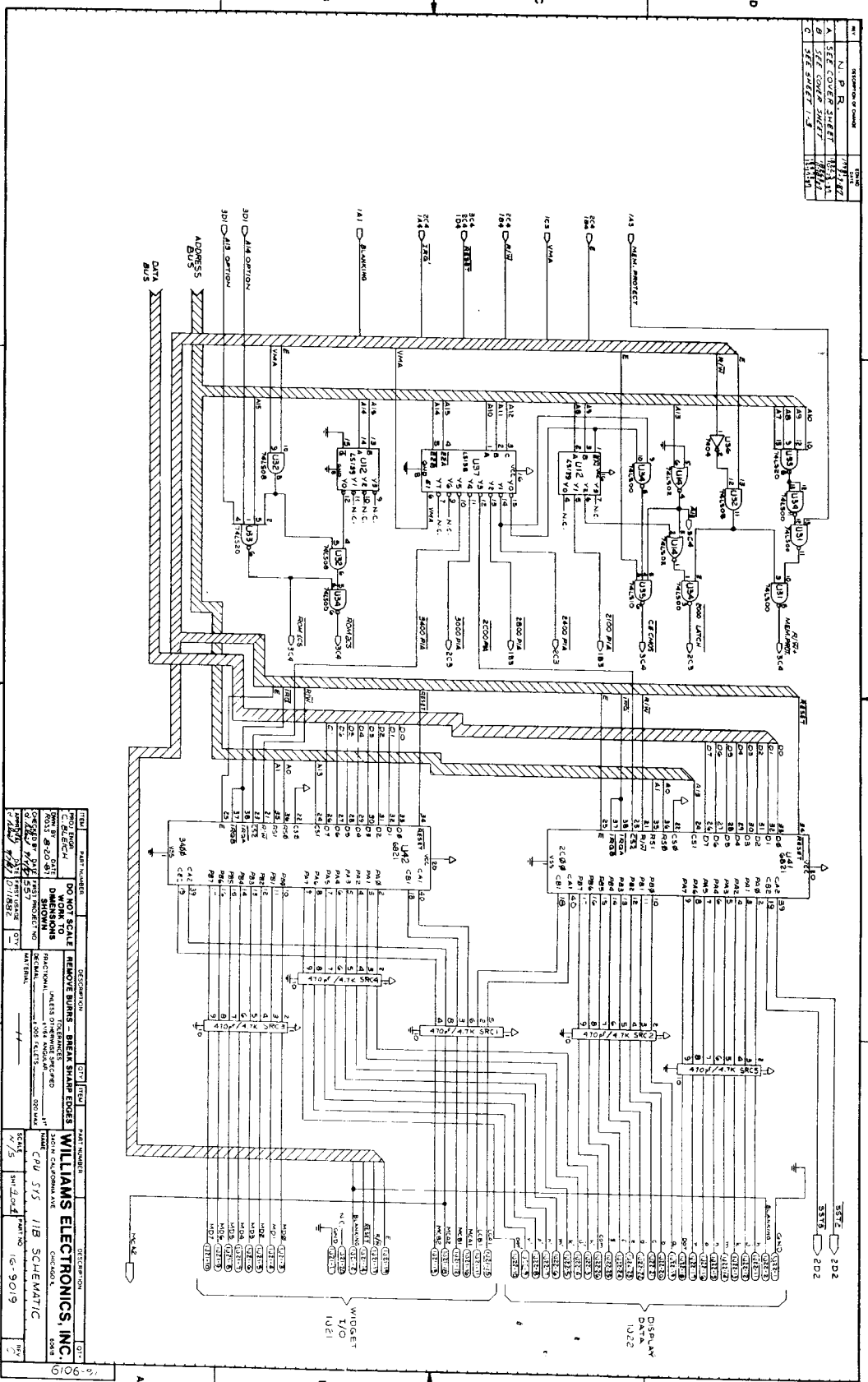
NOTE: GAMES WITH A D-11882-2 SUB-ASSEMBLY DO NOT USE THESE PARTS.

ITEM	QUANTITY	DESCRIPTION	DATE
1	1	IC4284 ADDRESS BUS	
2	1	IC4284 DATA BUS	
3	1	IC4284 CONTROL	
4	1	IC4284 LOGIC	
5	1	IC4284 MEMORY	
6	1	IC4284 POWER	
7	1	IC4284 SIGNAL	
8	1	IC4284 SYSTEM	
9	1	IC4284 TEST	
10	1	IC4284 WIRE	
11	1	IC4284 BOARD	
12	1	IC4284 CASE	
13	1	IC4284 LABEL	
14	1	IC4284 DRAWING	
15	1	IC4284 PARTS	
16	1	IC4284 MANUAL	
17	1	IC4284 SPECIFICATIONS	
18	1	IC4284 WARRANTY	
19	1	IC4284 RETURN	
20	1	IC4284 REPAIR	

CPU Schematic (16-9019, Sheet 3 of 4)



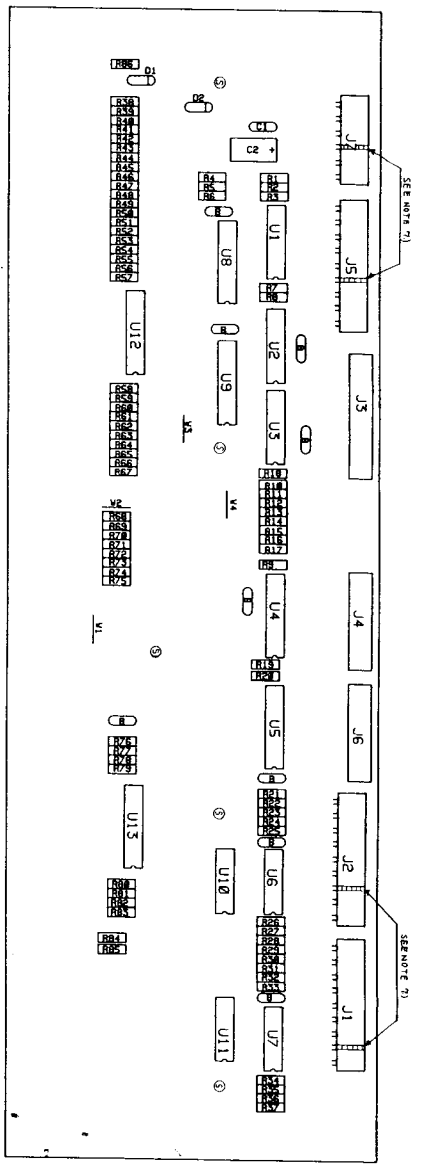
REV	DESCRIPTION OF CHANGE	DATE
A	SEE COVER SHEET	11/1/62
B	SEE COVER SHEET	11/1/62
C	SEE SHEET 1-3	11/1/62



ITEM	QTY	DESCRIPTION
1	1	WILLIAMS ELECTRONICS, INC.
2	1	WILLIAMS ELECTRONICS, INC.
3	1	WILLIAMS ELECTRONICS, INC.
4	1	WILLIAMS ELECTRONICS, INC.
5	1	WILLIAMS ELECTRONICS, INC.
6	1	WILLIAMS ELECTRONICS, INC.
7	1	WILLIAMS ELECTRONICS, INC.
8	1	WILLIAMS ELECTRONICS, INC.
9	1	WILLIAMS ELECTRONICS, INC.
10	1	WILLIAMS ELECTRONICS, INC.
11	1	WILLIAMS ELECTRONICS, INC.
12	1	WILLIAMS ELECTRONICS, INC.
13	1	WILLIAMS ELECTRONICS, INC.
14	1	WILLIAMS ELECTRONICS, INC.
15	1	WILLIAMS ELECTRONICS, INC.
16	1	WILLIAMS ELECTRONICS, INC.
17	1	WILLIAMS ELECTRONICS, INC.
18	1	WILLIAMS ELECTRONICS, INC.
19	1	WILLIAMS ELECTRONICS, INC.
20	1	WILLIAMS ELECTRONICS, INC.
21	1	WILLIAMS ELECTRONICS, INC.
22	1	WILLIAMS ELECTRONICS, INC.
23	1	WILLIAMS ELECTRONICS, INC.
24	1	WILLIAMS ELECTRONICS, INC.
25	1	WILLIAMS ELECTRONICS, INC.
26	1	WILLIAMS ELECTRONICS, INC.
27	1	WILLIAMS ELECTRONICS, INC.
28	1	WILLIAMS ELECTRONICS, INC.
29	1	WILLIAMS ELECTRONICS, INC.
30	1	WILLIAMS ELECTRONICS, INC.
31	1	WILLIAMS ELECTRONICS, INC.
32	1	WILLIAMS ELECTRONICS, INC.
33	1	WILLIAMS ELECTRONICS, INC.
34	1	WILLIAMS ELECTRONICS, INC.
35	1	WILLIAMS ELECTRONICS, INC.
36	1	WILLIAMS ELECTRONICS, INC.
37	1	WILLIAMS ELECTRONICS, INC.
38	1	WILLIAMS ELECTRONICS, INC.
39	1	WILLIAMS ELECTRONICS, INC.
40	1	WILLIAMS ELECTRONICS, INC.
41	1	WILLIAMS ELECTRONICS, INC.
42	1	WILLIAMS ELECTRONICS, INC.
43	1	WILLIAMS ELECTRONICS, INC.
44	1	WILLIAMS ELECTRONICS, INC.
45	1	WILLIAMS ELECTRONICS, INC.
46	1	WILLIAMS ELECTRONICS, INC.
47	1	WILLIAMS ELECTRONICS, INC.
48	1	WILLIAMS ELECTRONICS, INC.
49	1	WILLIAMS ELECTRONICS, INC.
50	1	WILLIAMS ELECTRONICS, INC.
51	1	WILLIAMS ELECTRONICS, INC.
52	1	WILLIAMS ELECTRONICS, INC.
53	1	WILLIAMS ELECTRONICS, INC.
54	1	WILLIAMS ELECTRONICS, INC.
55	1	WILLIAMS ELECTRONICS, INC.
56	1	WILLIAMS ELECTRONICS, INC.
57	1	WILLIAMS ELECTRONICS, INC.
58	1	WILLIAMS ELECTRONICS, INC.
59	1	WILLIAMS ELECTRONICS, INC.
60	1	WILLIAMS ELECTRONICS, INC.
61	1	WILLIAMS ELECTRONICS, INC.
62	1	WILLIAMS ELECTRONICS, INC.
63	1	WILLIAMS ELECTRONICS, INC.
64	1	WILLIAMS ELECTRONICS, INC.
65	1	WILLIAMS ELECTRONICS, INC.
66	1	WILLIAMS ELECTRONICS, INC.
67	1	WILLIAMS ELECTRONICS, INC.
68	1	WILLIAMS ELECTRONICS, INC.
69	1	WILLIAMS ELECTRONICS, INC.
70	1	WILLIAMS ELECTRONICS, INC.
71	1	WILLIAMS ELECTRONICS, INC.
72	1	WILLIAMS ELECTRONICS, INC.
73	1	WILLIAMS ELECTRONICS, INC.
74	1	WILLIAMS ELECTRONICS, INC.
75	1	WILLIAMS ELECTRONICS, INC.
76	1	WILLIAMS ELECTRONICS, INC.
77	1	WILLIAMS ELECTRONICS, INC.
78	1	WILLIAMS ELECTRONICS, INC.
79	1	WILLIAMS ELECTRONICS, INC.
80	1	WILLIAMS ELECTRONICS, INC.
81	1	WILLIAMS ELECTRONICS, INC.
82	1	WILLIAMS ELECTRONICS, INC.
83	1	WILLIAMS ELECTRONICS, INC.
84	1	WILLIAMS ELECTRONICS, INC.
85	1	WILLIAMS ELECTRONICS, INC.
86	1	WILLIAMS ELECTRONICS, INC.
87	1	WILLIAMS ELECTRONICS, INC.
88	1	WILLIAMS ELECTRONICS, INC.
89	1	WILLIAMS ELECTRONICS, INC.
90	1	WILLIAMS ELECTRONICS, INC.
91	1	WILLIAMS ELECTRONICS, INC.
92	1	WILLIAMS ELECTRONICS, INC.
93	1	WILLIAMS ELECTRONICS, INC.
94	1	WILLIAMS ELECTRONICS, INC.
95	1	WILLIAMS ELECTRONICS, INC.
96	1	WILLIAMS ELECTRONICS, INC.
97	1	WILLIAMS ELECTRONICS, INC.
98	1	WILLIAMS ELECTRONICS, INC.
99	1	WILLIAMS ELECTRONICS, INC.
100	1	WILLIAMS ELECTRONICS, INC.

CPU 3-10

CPU Schematic (16-9019, Sheet 4 of 4)



**MULTI-R-DISPLAY**

```

ITEM PART NUMBER QTY UNIT PART NUMBER QTY UNIT
1 5043-08980-00 2 (BYPASS CAP) CAP 10W 50V AX CR 1 9
2 5043-08980-00 1 CAP 10W 50V AX CR 1 9
3 5040-08343-00 1 CR CAP 10W 25V AX CR 1 9
4 5075-08135-00 1 DI D2 28PIN 1M740 10V 2
5 5070-12500-00 1 DISPLAY 16-CHARACTER A/M: 1
6 5791-10889-08 1 J1 J2 J3 8 PIN HEADER, R/A, 156 3
7 5791-10881-00 1 J3 28 PIN HEADER, R/A, 100 1
8 5791-10889-08 1 J7 8 PIN HEADER, R/A, 156 1
9 5791-08135-00 1 CHART RES 100K OHM 1/4W 25
10 5010-08173-00 1 R1, R6, R21, R37 RES 100K OHM 1/4W 25
11 5010-08182-00 1 NOTE 1 RES 100K OHM 1/4W 1 CHART
12 5010-10255-00 1 NOTE 2 RES 100K OHM 1/4W 1 CHART
13 5010-10287-00 1 NOTE 3 RES 6.2K OHM 1/2W 1 CHART
14 5010-08981-00 1 NOTE 4 RES 10K OHM 1/2W 1 CHART
15 5310-08975-00 1 01, 02, 03 4089
16 5310-08982-00 1 06, 07, 10, 11, 14 4001
17 5880-08988-00 1 08, 09 00R-7100 2
18 5880-08988-00 1 CHART DIM-8118 1 CHART
19 5780-12578-00 1 CHART RES 100K OHM 1 CHART
20 5780-12578-00 1 PCB BALLY-LO-DISPLAY PCB 1
21 03-8088-1 ((SUPPORT) S SUPPORT DISPLAY 1 5
22 888 CHART LABEL ASSEMBLY I.D. LABEL CHART
  
```

**NOTES:**

- 1) 100K OHM RESISTORS: R1, R6, R21, R37, R39, R40, R41, R42, R43, R44, R45, R46, R47, R48, R49, R50, R51, R52, R53, R54, R55, R56, R57, R58, R59, R60, R61, R62, R63, R64, R65, R66, R67, R68, R69, R70, R71, R72, R73, R74, R75, R76, R77, R78, R79, R80, R81, R82, R83, R84, R85, R86, R87, R88, R89, R90, R91, R92, R93, R94, R95, R96, R97, R98, R99, R100.
- 2) 10 OHM RESISTORS: R101, R102, R103, R104, R105, R106, R107, R108, R109, R110, R111, R112, R113, R114, R115, R116, R117, R118, R119, R120.
- 3) 6.2K OHM RESISTORS: R121, R122, R123, R124, R125, R126, R127, R128, R129, R130, R131, R132, R133, R134, R135, R136, R137, R138, R139, R140, R141, R142, R143, R144, R145, R146, R147, R148, R149, R150, R151, R152, R153, R154, R155, R156, R157, R158, R159, R160, R161, R162, R163, R164, R165, R166, R167, R168, R169, R170, R171, R172, R173, R174, R175, R176, R177, R178, R179, R180, R181, R182, R183, R184, R185, R186, R187, R188, R189, R190, R191, R192, R193, R194, R195, R196, R197, R198, R199, R200.
- 4) 10K OHM RESISTOR: R201, R202, R203, R204, R205, R206, R207, R208, R209, R210, R211, R212, R213, R214, R215, R216, R217, R218, R219, R220.

SEE CHART ALSO

3) ONE CHART SPECIFIES RESISTORS, 1 C.A. AND COMPONENTS THAT ARE OPTION SPECIFIC

8) THE TWO LAST DIGITS OF THE PART NUMBERS SPECIFIED IN THE PCB ASSEMBLY OPTION.

-01 MAIN DISPLAY NUMBER, ONE EXTENDED  
 7-DIGIT NUMERIC

-02 MAIN DISPLAY NUMBER, ONE EXTENDED  
 7-DIGIT NUMERIC

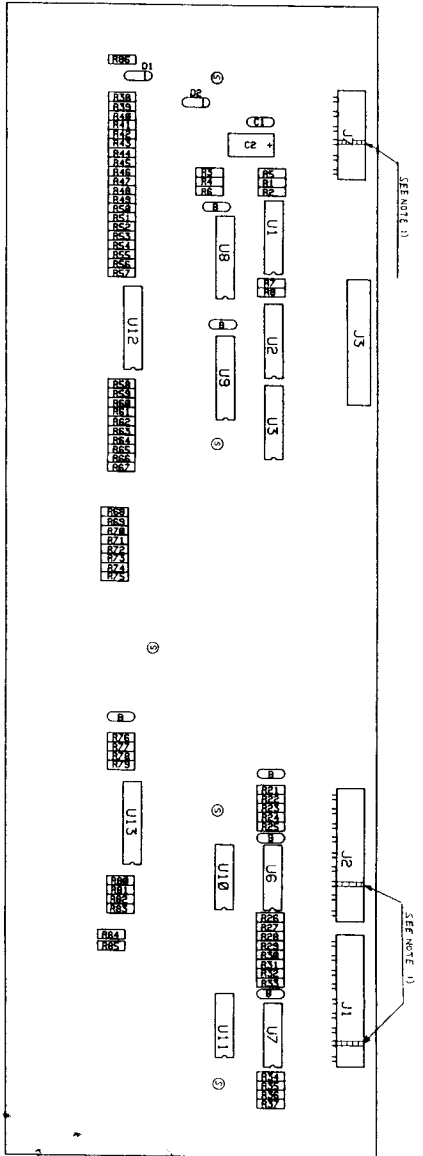
-03 MAIN DISPLAY NUMBER, TWO EXTENDED  
 7-DIGIT NUMERIC

7) CUT KEYING PWT: AS INDICATED  
 P1 BLVD TOP EDGE OF QUANT DISPLAY, WIND TOP EDGE OF DISPLAY SUPPORT 71.  
 8) FOR SCHEMATIC SEE DRAWING: 1-7-7668

ITEM	PART NUMBER	DESCRIPTION	QTY	UNIT	PART NUMBER	DESCRIPTION	QTY	UNIT
1	5043-08980-00	BYPASS CAP	2		5043-08980-00	BYPASS CAP	2	
2	5043-08980-00	BYPASS CAP	1		5043-08980-00	BYPASS CAP	1	
3	5040-08343-00	CR	1		5040-08343-00	CR	1	
4	5075-08135-00	DI D2	1		5075-08135-00	DI D2	1	
5	5070-12500-00	DISPLAY 16-CHARACTER A/M:	1		5070-12500-00	DISPLAY 16-CHARACTER A/M:	1	
6	5791-10889-08	J1 J2 J3	1		5791-10889-08	J1 J2 J3	1	
7	5791-10881-00	J3	1		5791-10881-00	J3	1	
8	5791-10889-08	J7	1		5791-10889-08	J7	1	
9	5791-08135-00	CHART	1		5791-08135-00	CHART	1	
10	5010-08173-00	R1, R6, R21, R37	1		5010-08173-00	R1, R6, R21, R37	1	
11	5010-08182-00	NOTE 1	1		5010-08182-00	NOTE 1	1	
12	5010-10255-00	NOTE 2	1		5010-10255-00	NOTE 2	1	
13	5010-10287-00	NOTE 3	1		5010-10287-00	NOTE 3	1	
14	5010-08981-00	NOTE 4	1		5010-08981-00	NOTE 4	1	
15	5310-08975-00	01, 02, 03	1		5310-08975-00	01, 02, 03	1	
16	5310-08982-00	06, 07, 10, 11, 14	1		5310-08982-00	06, 07, 10, 11, 14	1	
17	5880-08988-00	08, 09	1		5880-08988-00	08, 09	1	
18	5880-08988-00	CHART	1		5880-08988-00	CHART	1	
19	5780-12578-00	CHART	1		5780-12578-00	CHART	1	
20	5780-12578-00	PCB	1		5780-12578-00	PCB	1	
21	03-8088-1	((SUPPORT) S	1		03-8088-1	((SUPPORT) S	1	
22	888	CHART LABEL	1		888	CHART LABEL	1	

Right Display 3-11





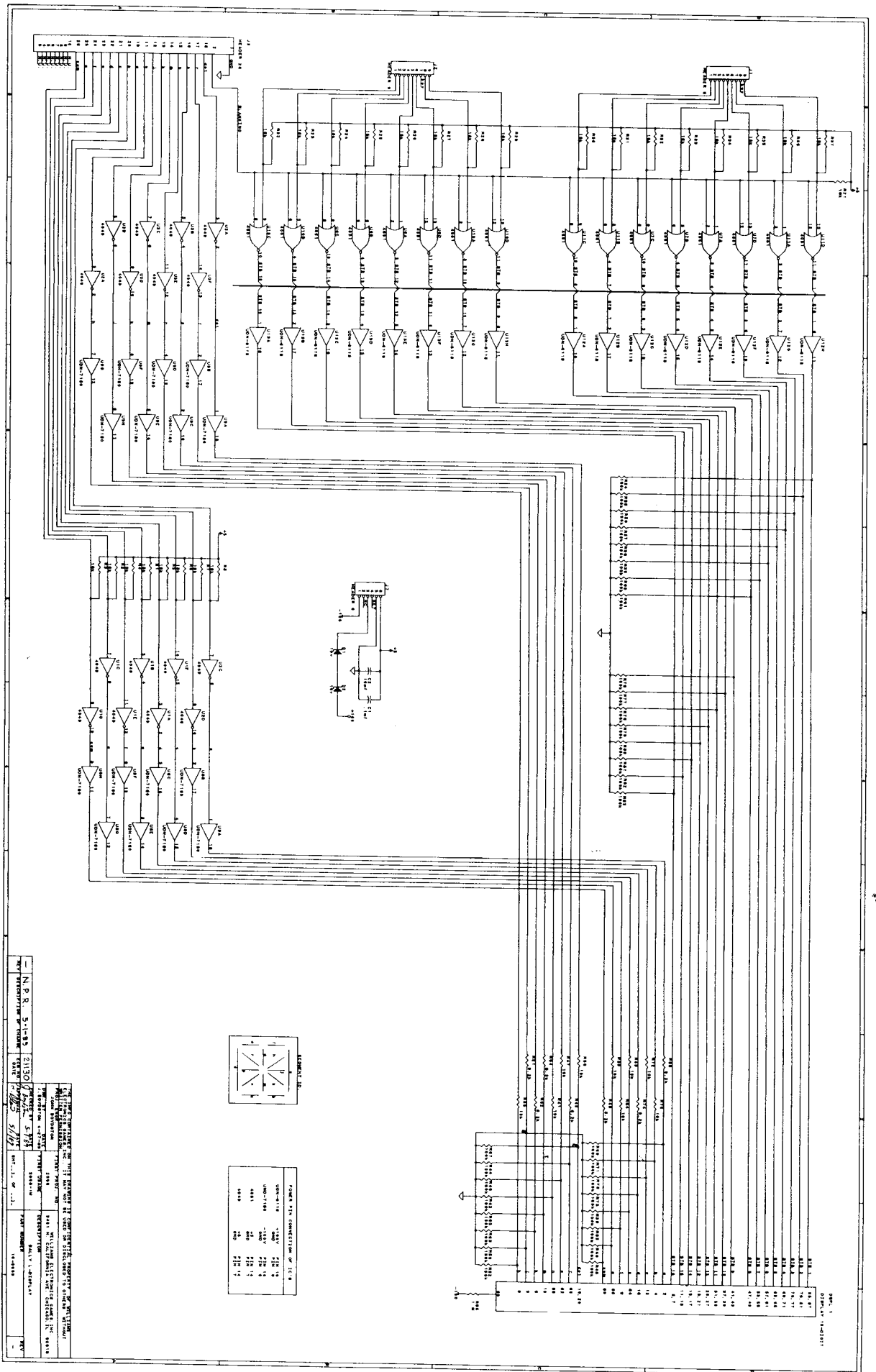
BALLY L - DISPLAY

ITEM	PART NUMBER	PART DESCRIPTION	DESCRIPTION	QTY
1	5043-08980-00	8 (BYPASS CAP)	CAP. 0.01F 50V AX. CR.	6
2	5043-08986-00	CI	CAP. 100F 50V AX. CR.	1
3	5040-09343-00	02	CAP. 100F 25V AX. ELECT	1
4	5075-09135-00	DI, D2	DIODE 1M4740 10V	2
5	5870-12008-00	DSBT1	DISPLAY - 8 CHARACTER A/M	1
6	5791-10888-00	11, 12	5 PIN HEADER, R/A, 156	2
7	5791-10851-00	13	26 PIN HEADER, R/A, 100	1
8	5791-10858-00	17	6 PIN HEADER, R/A, 156	1
9	5015-09773-00	1, 2, 3, 4, 5, 6, 7, 8, 9, 10, 11, 12, 13, 14, 15, 16, 17, 18, 19, 20, 21, 22, 23, 24, 25, 26, 27, 28, 29, 30, 31, 32	RES. 10K OHM 1/4W	32
10	5015-09422-00	R20, R40, R42, R44, R46, R48, R50, R52, R54, R56, R58, R60, R62, R64, R66, R68, R70, R72, R74, R76, R78, R80, R82, R84, R86, R88, R90, R92, R94, R96, R98, R100, R102, R104, R106, R108, R110, R112, R114, R116, R118, R120, R122, R124, R126, R128, R130, R132, R134, R136, R138, R140, R142, R144, R146, R148, R150, R152, R154, R156, R158, R160, R162, R164, R166, R168, R170, R172, R174, R176, R178, R180, R182, R184, R186, R188, R190, R192, R194, R196, R198, R200, R202, R204, R206, R208, R210, R212, R214, R216, R218, R220, R222, R224, R226, R228, R230, R232, R234, R236, R238, R240, R242, R244, R246, R248, R250, R252, R254, R256, R258, R260, R262, R264, R266, R268, R270, R272, R274, R276, R278, R280, R282, R284, R286, R288, R290, R292, R294, R296, R298, R300, R302, R304, R306, R308, R310, R312, R314, R316, R318, R320, R322, R324, R326, R328, R330, R332, R334, R336, R338, R340, R342, R344, R346, R348, R350, R352, R354, R356, R358, R360, R362, R364, R366, R368, R370, R372, R374, R376, R378, R380, R382, R384, R386, R388, R390, R392, R394, R396, R398, R400, R402, R404, R406, R408, R410, R412, R414, R416, R418, R420, R422, R424, R426, R428, R430, R432, R434, R436, R438, R440, R442, R444, R446, R448, R450, R452, R454, R456, R458, R460, R462, R464, R466, R468, R470, R472, R474, R476, R478, R480, R482, R484, R486, R488, R490, R492, R494, R496, R498, R500, R502, R504, R506, R508, R510, R512, R514, R516, R518, R520, R522, R524, R526, R528, R530, R532, R534, R536, R538, R540, R542, R544, R546, R548, R550, R552, R554, R556, R558, R560, R562, R564, R566, R568, R570, R572, R574, R576, R578, R580, R582, R584, R586, R588, R590, R592, R594, R596, R598, R600, R602, R604, R606, R608, R610, R612, R614, R616, R618, R620, R622, R624, R626, R628, R630, R632, R634, R636, R638, R640, R642, R644, R646, R648, R650, R652, R654, R656, R658, R660, R662, R664, R666, R668, R670, R672, R674, R676, R678, R680, R682, R684, R686, R688, R690, R692, R694, R696, R698, R700, R702, R704, R706, R708, R710, R712, R714, R716, R718, R720, R722, R724, R726, R728, R730, R732, R734, R736, R738, R740, R742, R744, R746, R748, R750, R752, R754, R756, R758, R760, R762, R764, R766, R768, R770, R772, R774, R776, R778, R780, R782, R784, R786, R788, R790, R792, R794, R796, R798, R800, R802, R804, R806, R808, R810, R812, R814, R816, R818, R820, R822, R824, R826, R828, R830, R832, R834, R836, R838, R840, R842, R844, R846, R848, R850, R852, R854, R856, R858, R860, R862, R864, R866, R868, R870, R872, R874, R876, R878, R880, R882, R884, R886, R888, R890, R892, R894, R896, R898, R900, R902, R904, R906, R908, R910, R912, R914, R916, R918, R920, R922, R924, R926, R928, R930, R932, R934, R936, R938, R940, R942, R944, R946, R948, R950, R952, R954, R956, R958, R960, R962, R964, R966, R968, R970, R972, R974, R976, R978, R980, R982, R984, R986, R988, R990, R992, R994, R996, R998, R1000	RES. 10K OHM 1/2W	9
11	5010-08981-00	R39, R1, R43, R47, R53, R66	RES. 10K OHM 1/2W	7
12	5010-10927-00	R45, R49, R51, R62, R64, R68	RES. 6.2K OHM 1/2W	7
13	5010-10258-00	R86	RES. 1M OHM 1/4W	1
14	5010-08975-00	01, 02, 03	RES. 400K	3
15	5010-08982-00	06, 07, 010, 011	RES. 400K	4
16	5680-08989-00	08, 09	100K-7180	2
17	5680-08988-00	012, 013	100K-8118	2
18	5785-12408-00	PCB	BALLY HI-DISPLAY PCB	1
19	50-5008-1	SUPPORT	SUPPORT DISPLAY	5

NOTES:  
 1) CWT KEYING PINS AS INDICATED.  
 2) ACTION TOP EDGE OF CASE MOUNTY WITH 150 EDGE OF DISPLAY (ASSEMBLY).  
 3) FOR ICE MOUNT SEE DRAWING IN-3004

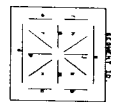
ITEM	PART NUMBER	DESCRIPTION	QTY	ITEM	PART NUMBER	DESCRIPTION	QTY
THE INFO CONTAINED ON THIS DRAWING IS CONFIDENTIAL PROPERTY OF WILLIAMS ELECTRONICS GAMES, INC. IT MAY NOT BE USED OR DISCLOSED TO OTHERS WITHOUT WRITTEN PERMISSION.							
PROJ. ENGINEER	DATE	DO NOT SCALE	REMOVE DIMS - MEAS. SQUARE CORNERS & EDGES	UNLESS OTHERWISE SPECIFIED	SCALE	NAME	DATE
DR. PARRILL	2/13/00	WORK TO SHOWN	1/2"	1/8"	2/2	BALLY L-DISPLAY ASSY	2/13/00
CHECKED BY	DATE	PROJECT NO.	MATERIAL	FRUSTRISSAGE	QTY	PART NO.	REV.
J. PARRILL	2/13/00	2008	316 1/8" FRACTIONAL	1	1	D-12706	1

Left Display 3-13

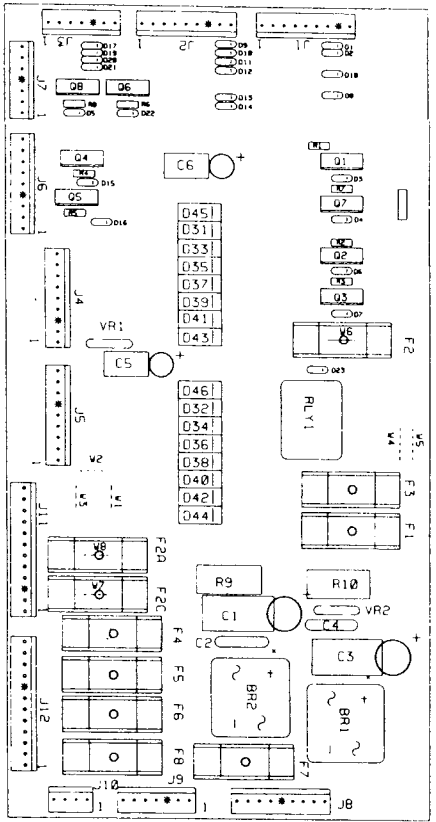


Left Display 3-14

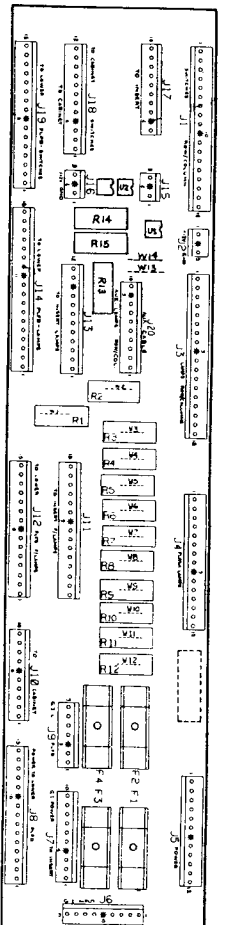
N P R 5-1-83 21130		REVISED	
KEY IDENTIFICATION SYMBOL	DATE	BY	CHK'D
<p>THE INFORMATION CONTAINED HEREIN IS UNCLASSIFIED EXCEPT WHERE SHOWN OTHERWISE. DATE 12-14-93 BY 6032</p>			



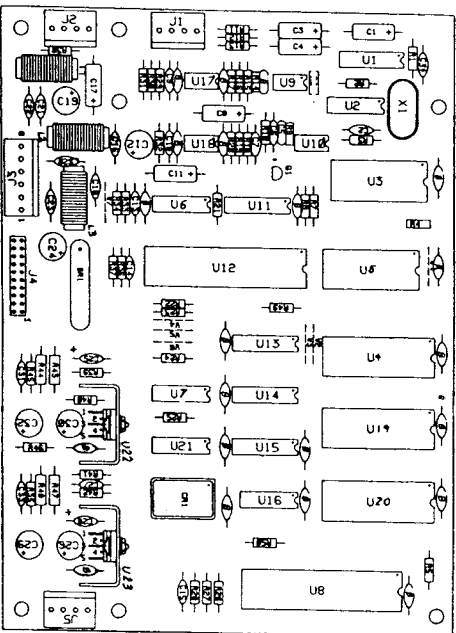
POWER PIN CONNECTIONS			
1	2	3	4
5	6	7	8
9	10	11	12
13	14	15	16
17	18	19	20
21	22	23	24



**AUX POWER DRIVER UNIT BOARD**  
 p/n D-12247

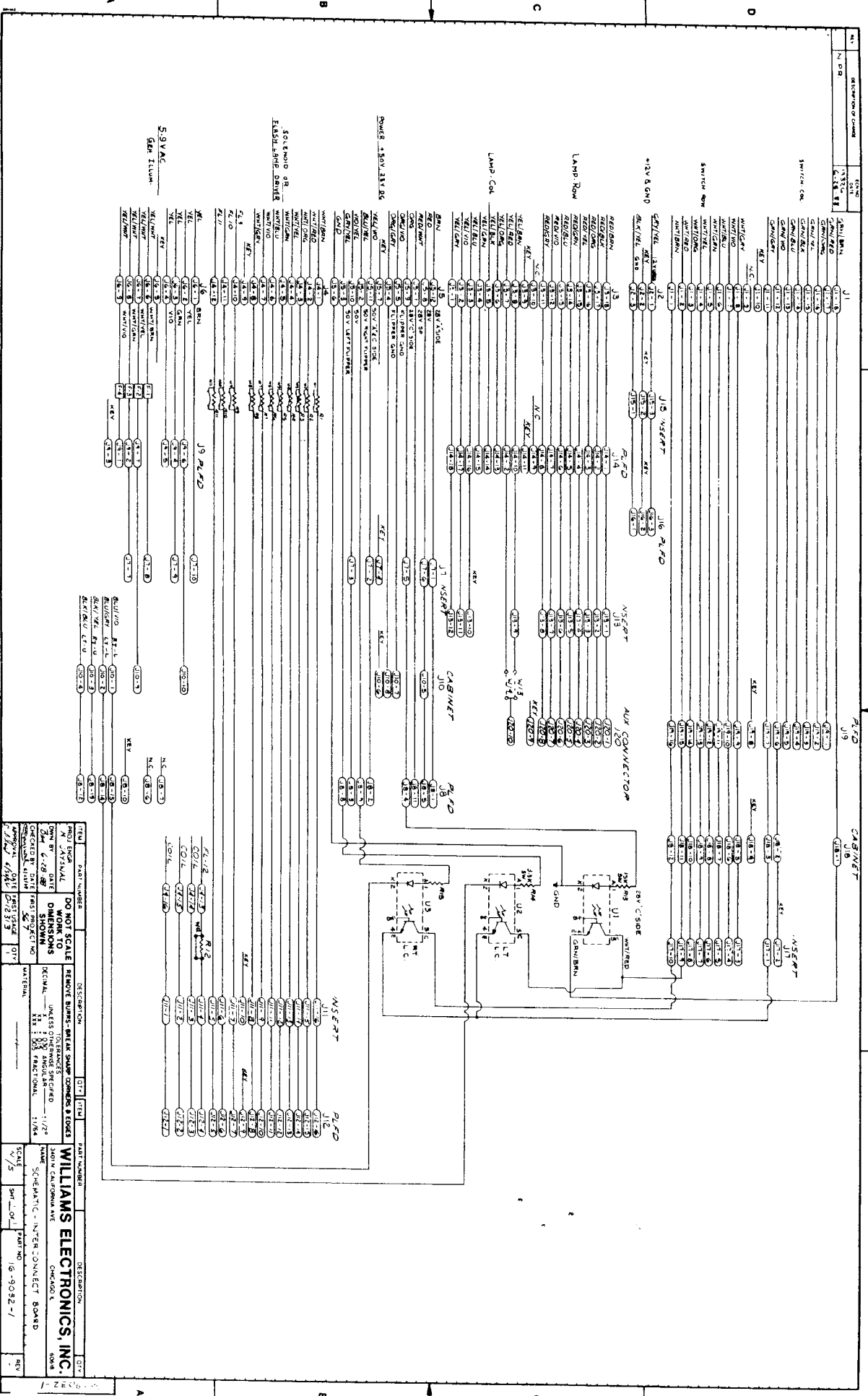


**BACKBOX INTERCONNECT BOARD**  
 p/n D-12313



**AUDIO BOARD ASSEMBLY**  
 p/n D-11581

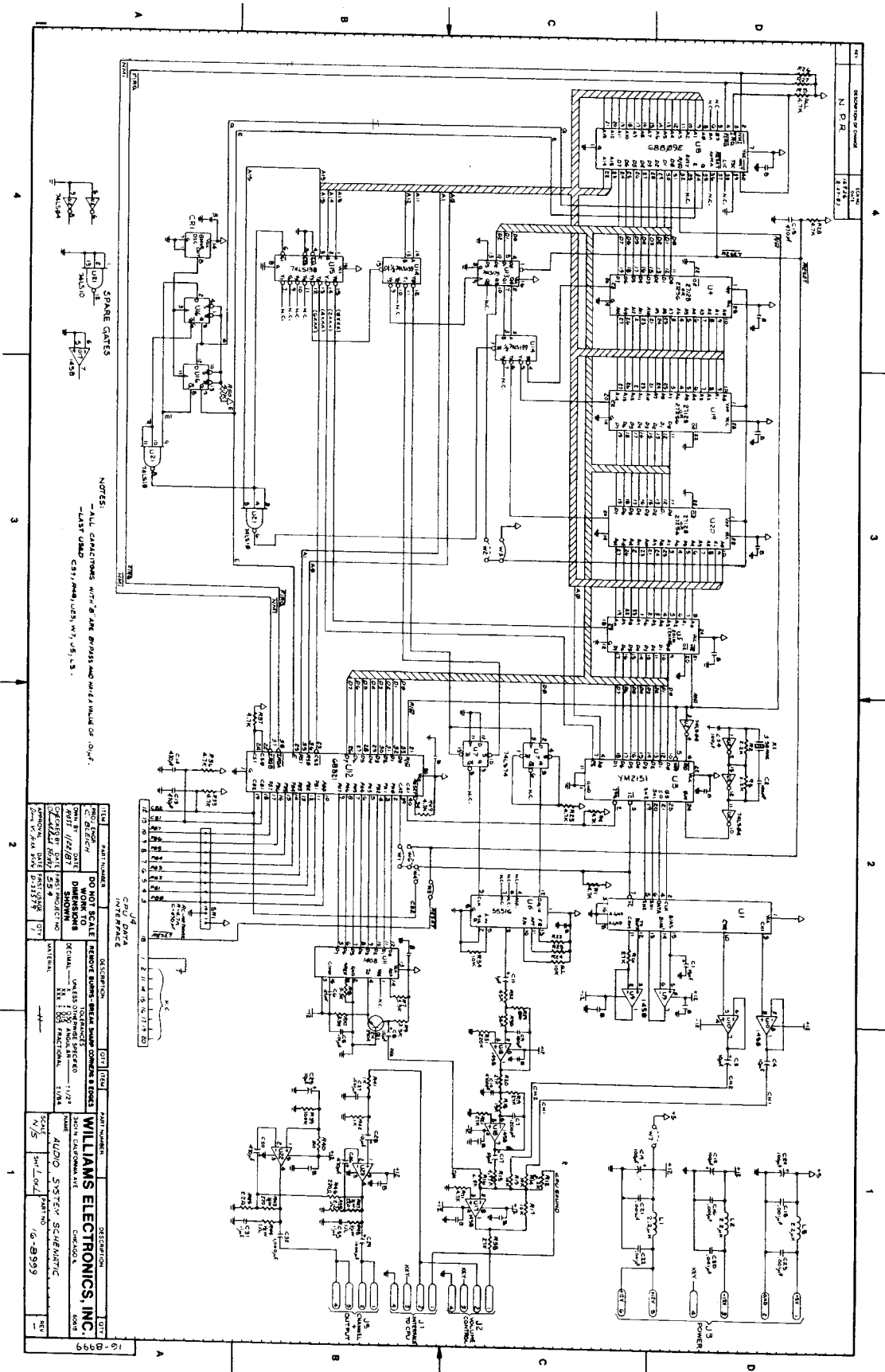
Backbox Interconnect Brd. 3-15  
 Audio Brd.  
 Aux. Power Driver Brd.



Backbox Interconnect Bnd. 3-16

Backbox Interconnect Board D-12313

REV	DATE	BY	DESCRIPTION
1	10/15/58	WJ	ISSUE
2	11/10/58	WJ	REVISED
3	12/15/58	WJ	REVISED
4	1/15/59	WJ	REVISED
5	2/15/59	WJ	REVISED
6	3/15/59	WJ	REVISED
7	4/15/59	WJ	REVISED
8	5/15/59	WJ	REVISED
9	6/15/59	WJ	REVISED
10	7/15/59	WJ	REVISED
11	8/15/59	WJ	REVISED
12	9/15/59	WJ	REVISED
13	10/15/59	WJ	REVISED
14	11/15/59	WJ	REVISED
15	12/15/59	WJ	REVISED
16	1/15/60	WJ	REVISED
17	2/15/60	WJ	REVISED
18	3/15/60	WJ	REVISED
19	4/15/60	WJ	REVISED
20	5/15/60	WJ	REVISED
21	6/15/60	WJ	REVISED
22	7/15/60	WJ	REVISED
23	8/15/60	WJ	REVISED
24	9/15/60	WJ	REVISED
25	10/15/60	WJ	REVISED
26	11/15/60	WJ	REVISED
27	12/15/60	WJ	REVISED
28	1/15/61	WJ	REVISED
29	2/15/61	WJ	REVISED
30	3/15/61	WJ	REVISED
31	4/15/61	WJ	REVISED
32	5/15/61	WJ	REVISED
33	6/15/61	WJ	REVISED
34	7/15/61	WJ	REVISED
35	8/15/61	WJ	REVISED
36	9/15/61	WJ	REVISED
37	10/15/61	WJ	REVISED
38	11/15/61	WJ	REVISED
39	12/15/61	WJ	REVISED
40	1/15/62	WJ	REVISED
41	2/15/62	WJ	REVISED
42	3/15/62	WJ	REVISED
43	4/15/62	WJ	REVISED
44	5/15/62	WJ	REVISED
45	6/15/62	WJ	REVISED
46	7/15/62	WJ	REVISED
47	8/15/62	WJ	REVISED
48	9/15/62	WJ	REVISED
49	10/15/62	WJ	REVISED
50	11/15/62	WJ	REVISED
51	12/15/62	WJ	REVISED
52	1/15/63	WJ	REVISED
53	2/15/63	WJ	REVISED
54	3/15/63	WJ	REVISED
55	4/15/63	WJ	REVISED
56	5/15/63	WJ	REVISED
57	6/15/63	WJ	REVISED
58	7/15/63	WJ	REVISED
59	8/15/63	WJ	REVISED
60	9/15/63	WJ	REVISED
61	10/15/63	WJ	REVISED
62	11/15/63	WJ	REVISED
63	12/15/63	WJ	REVISED
64	1/15/64	WJ	REVISED
65	2/15/64	WJ	REVISED
66	3/15/64	WJ	REVISED
67	4/15/64	WJ	REVISED
68	5/15/64	WJ	REVISED
69	6/15/64	WJ	REVISED
70	7/15/64	WJ	REVISED
71	8/15/64	WJ	REVISED
72	9/15/64	WJ	REVISED
73	10/15/64	WJ	REVISED
74	11/15/64	WJ	REVISED
75	12/15/64	WJ	REVISED
76	1/15/65	WJ	REVISED
77	2/15/65	WJ	REVISED
78	3/15/65	WJ	REVISED
79	4/15/65	WJ	REVISED
80	5/15/65	WJ	REVISED
81	6/15/65	WJ	REVISED
82	7/15/65	WJ	REVISED
83	8/15/65	WJ	REVISED
84	9/15/65	WJ	REVISED
85	10/15/65	WJ	REVISED
86	11/15/65	WJ	REVISED
87	12/15/65	WJ	REVISED
88	1/15/66	WJ	REVISED
89	2/15/66	WJ	REVISED
90	3/15/66	WJ	REVISED
91	4/15/66	WJ	REVISED
92	5/15/66	WJ	REVISED
93	6/15/66	WJ	REVISED
94	7/15/66	WJ	REVISED
95	8/15/66	WJ	REVISED
96	9/15/66	WJ	REVISED
97	10/15/66	WJ	REVISED
98	11/15/66	WJ	REVISED
99	12/15/66	WJ	REVISED
100	1/15/67	WJ	REVISED



NOTES:  
 -ALL CAPACITORS WITH 0.1µF ARE BRASS AND METAL VALUE OF 0.1µF.  
 -LARGEST CAPACITORS ARE 100µF, 10µF, 1µF, 0.1µF.

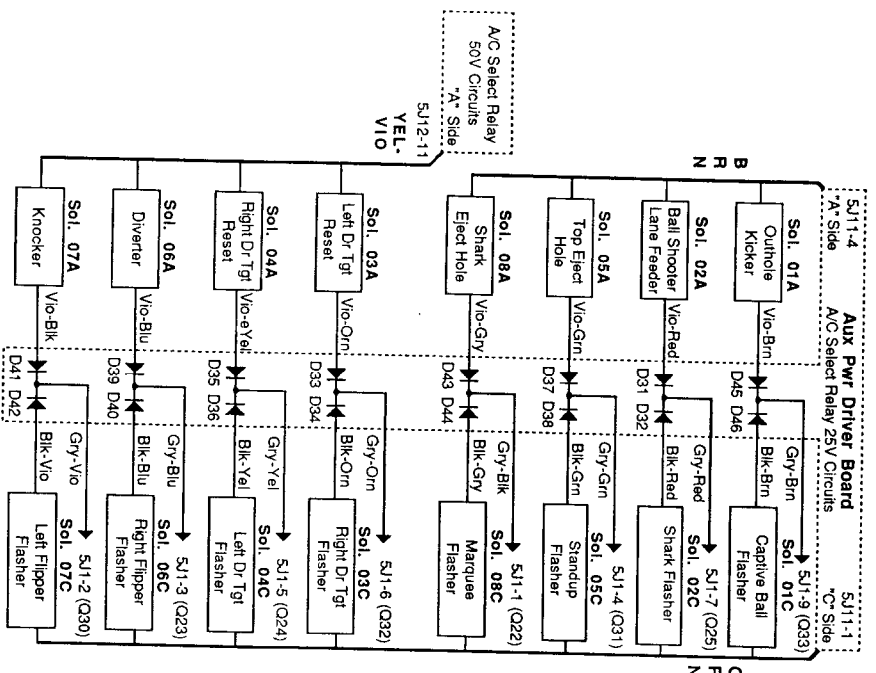
ITEM	QTY	DESCRIPTION	QTY	DESCRIPTION
100	1	DO NOT SCALE	100	DO NOT SCALE
101	1	RESISTOR VALUES	101	RESISTOR VALUES
102	1	CAPACITOR VALUES	102	CAPACITOR VALUES
103	1	DIODE VALUES	103	DIODE VALUES
104	1	IC PART NUMBERS	104	IC PART NUMBERS
105	1	FUNCTIONAL	105	FUNCTIONAL
106	1	DATE	106	DATE
107	1	VERSION	107	VERSION
108	1	REVISION	108	REVISION
109	1	APPROVAL	109	APPROVAL
110	1	DATE	110	DATE
111	1	VERSION	111	VERSION
112	1	REVISION	112	REVISION
113	1	APPROVAL	113	APPROVAL
114	1	DATE	114	DATE
115	1	VERSION	115	VERSION
116	1	REVISION	116	REVISION
117	1	APPROVAL	117	APPROVAL
118	1	DATE	118	DATE
119	1	VERSION	119	VERSION
120	1	REVISION	120	REVISION

Audio Board (D-11581) Schematic

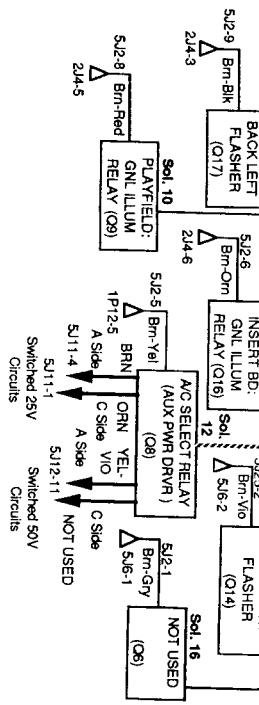




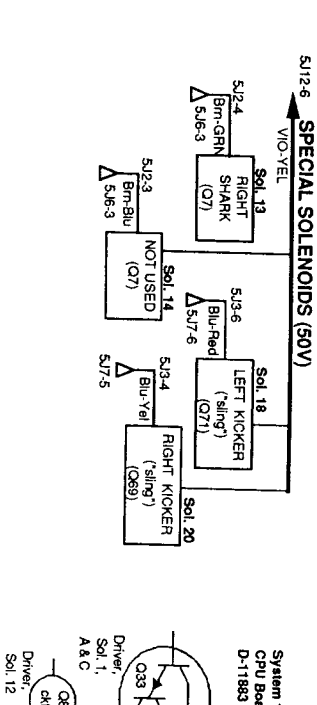
### SWITCHED SOLENOIDS



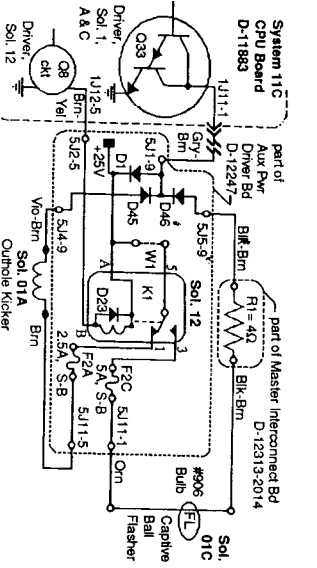
### CONTROLLED SOLENOIDS (25V)



### SPECIAL SOLENOIDS (50V)



### Typical A/C Select (Switched Solenoid) Circuit



### Controlled, Special & , Switched Solenoids



CPU INTERBOARD SIGNALS

Connector	Wire Color	Signal Designation/Description	Connector	Wire Color	Signal Designation/Description
1J1-1	BRN-GRY	ST-8: Display Digit Stroke / 4J1-1	1J2-1	VIO-GRY	ST-16: Display Digit Stroke / 4J2-1
1J1-2	BRN-BLU	ST-7: Display Digit Stroke / 4J1-2	1J2-2	VIO-BLK	ST-15: Display Digit Stroke / 4J2-2
1J1-3	BRN-BLU	ST-6: Display Digit Stroke / 4J1-3	1J2-3	VIO-BLU	ST-14: Display Digit Stroke / 4J2-3
1J1-4	BRN-BLU	ST-5: Display Digit Stroke / 4J1-4	1J2-4	VIO-GRN	ST-13: Display Digit Stroke / 4J2-4
1J1-5	BRN-BLU	ST-4: Display Digit Stroke / 4J1-5	1J2-5	VIO-GRN	ST-12: Display Digit Stroke / 4J2-5
1J1-6	BRN-BLU	ST-3: Display Digit Stroke / 4J1-6	1J2-6	VIO-GRN	ST-11: Display Digit Stroke / 4J2-6
1J1-7	BRN-BLU	ST-2: Display Digit Stroke / 4J1-7	1J2-7	VIO-GRN	ST-10: Display Digit Stroke / 4J2-7
1J1-8	BRN-BLU	ST-1: Display Digit Stroke / 4J1-8	1J2-8	VIO-GRN	ST-9: Display Digit Stroke / 4J2-8
1J1-9	BRN-BLK	No Connection	1J2-9	VIO-BRN	ST-8: Display Digit Stroke / 4J2-9
1J3-1	BLU-BRN	D1 / Display BCD / 4J5-1	1J4-1	VIO	Lamp +18V dc Power
1J3-2	BLU-RED	B1 / Display BCD / 4J5-2	1J4-2	Key Pin	No Connection
1J3-3	BLU-RED	B1 / Display BCD / 4J5-3	1J4-3	Key Pin	No Connection
1J3-4	BLU-RED	D1 / Display BCD / 4J5-4	1J4-4	Key Pin	No Connection
1J3-5	BLU-RED	D1 / Display BCD / 4J5-5	1J4-5	Key Pin	No Connection
1J3-6	BLU-RED	D1 / Display BCD / 4J5-6	1J4-6	Key Pin	No Connection
1J3-7	BLU-RED	D1 / Display BCD / 4J5-7	1J4-7	Key Pin	No Connection
1J3-8	BLU-RED	D1 / Display BCD / 4J5-8	1J4-8	Key Pin	No Connection
1J3-9	BLU-RED	D1 / Display BCD / 4J5-9	1J4-9	VIO	Lamp +18V dc Power
1J3-10	BLU-GRY	A2 / Display BCD / 4J5-10	1J4-10	VIO	Lamp +18V dc Power
1J3-11	---	No Connection	1J6-1	FED-BRN	Lamp Row 1 (Q80) / 2J3-18
1J3-12	---	No Connection	1J6-2	FED-BLK	Lamp Row 2 (Q81) / 2J3-17
1J5-1	---	No Connection	1J6-3	FED-ORG	Lamp Row 3 (Q82) / 2J3-16
1J5-2	Key Pin	No Connection	1J6-4	FED-YEL	No Connection
1J5-3	Key Pin	No Connection	1J6-5	FED-GRN	Lamp Row 5 (Q84) / 2J3-15
1J5-4	Key Pin	No Connection	1J6-6	FED-GRN	Lamp Row 5 (Q84) / 2J3-14
1J5-5	Key Pin	No Connection	1J6-7	FED-BLU	Lamp Row 6 (Q85) / 2J3-13
1J5-6	---	No Connection	1J6-8	FED-VIO	Lamp Row 7 (Q86) / 2J3-12
1J5-7	---	No Connection	1J6-9	FED-GRY	Lamp Row 8 (Q87) / 2J3-11
1J5-8	BLK	Ground (Lamp Cx)	1J8-1	GRN-BRN	Switch Col 1 (Q45) / 2J1-18
1J5-9	BLK	Ground (Lamp Cx)	1J8-2	GRN-FED	Switch Col 2 (Q46) / 2J1-17
1J7-1	YEL-BRN	Lamp Col 1 (Q56/58) / 2J3-9	1J8-3	GRN-YEL	Switch Col 3 (Q47) / 2J1-16
1J7-2	YEL-RED	Lamp Col 2 (Q56/58) / 2J3-8	1J8-4	GRN-YEL	Switch Col 4 (Q48) / 2J1-15
1J7-3	YEL-ORG	Lamp Col 3 (Q56/58) / 2J3-6	1J8-5	GRN-YEL	Switch Col 5 (Q49) / 2J1-14
1J7-4	YEL-BLK	Lamp Col 4 (Q56/58) / 2J3-5	1J8-6	GRN-BLU	Switch Col 6 (Q49) / 2J1-13
1J7-5	Key Pin	No Connection	1J8-7	GRN-BLU	Switch Col 7 (Q49) / 2J1-12
1J7-6	YEL-GRN	Lamp Col 5 (Q57/59) / 2J3-4	1J8-8	GRN-GRY	Switch Col 8 (Q49) / 2J1-11
1J7-7	YEL-BLU	Lamp Col 6 (Q59/56) / 2J3-3	1J9	No Applicable	
1J7-8	YEL-VIO	Lamp Col 7 (Q59/56) / 2J3-2			
1J7-9	YEL-GRY	Lamp Col 8 (Q51/52) / 2J3-1			
1J0-1	WHT-GRY	Switch Row 8 (2J1-1)	1J14-1	GRN-BRN	Solenoid 1 (Q29) / 5J1-9
1J0-2	WHT-VIO	Switch Row 7 (2J1-2)	1J14-2	GRN-ORG	Solenoid 2 (Q29) / 5J1-7
1J0-3	WHT-BLU	Switch Row 6 (2J1-6)	1J14-3	GRN-ORG	Solenoid 3 (Q29) / 5J1-6
1J0-4	Key Pin	No Connection	1J14-4	GRN-YEL	Solenoid 4 (Q29) / 5J1-5
1J0-5	WHT-GRN	Switch Row 5 (2J1-5)	1J14-5	GRN-YEL	Solenoid 5 (Q29) / 5J1-4
1J0-6	WHT-YEL	Switch Row 4 (2J1-4)	1J14-6	GRN-BLU	Solenoid 6 (Q29) / 5J1-3
1J0-7	WHT-ORG	Switch Row 3 (2J1-3)	1J14-7	GRN-BLU	Solenoid 7 (Q29) / 5J1-2
1J0-8	WHT-FED	Switch Row 2 (2J1-2)	1J14-8	GRN-BLK	Solenoid 8 (Q22) / 5J1-1
1J1-9	WHT-BRN	Switch Row 1 (2J1-1)	1J13-1	BLK	Solenoid Ground / 5J10-1
1J2-1	BRN-BLK	Solenoid 9 (Q17) / 5J2-9	1J13-2	BLK	5J10-2
1J2-2	BRN-FED	Solenoid 10 (Q9) / 5J2-8	1J13-3	BLK	5J10-3
1J2-3	Key Pin	No Connection	1J13-4	BLK	5J10-4
1J2-4	BRN-ORG	Solenoid 11 (Q16) / 5J2-6	1J14-1	WHT-FED	Memory Protect / 7J1-4
1J2-5	BRN-YEL	Solenoid 12 (Q8) / 5J2-5	1J14-2	GRN	ADVANCE Switch / 7J1-1
1J2-6	BRN-GRN	Solenoid 13 (Q15) / 5J2-4	1J14-3	GRN	ADVANCE Switch / 7J1-2
1J2-7	BRN-BLU	Solenoid 14 (Q17) / 5J2-3	1J14-4	BLU	AUTOMANUAL Switch / 7J1-2
1J2-8	BRN-BLU	Solenoid 15 (Q17) / 5J2-2	1J17-1	BLK	Ground / 3J1-2
1J2-9	BRN-GRY	Solenoid 16 (Q9) / 5J2-1	1J17-2	BLK	Power: +3V dc / 3J1-8
1J16-1	FED	Volume Control Input / 1J11-1	1J17-3	GRY	Power: +5V dc / 3J1-6
1J16-2	BLK	Volume Control Output / 1J11-2	1J17-4	GRY	Power: +5V dc / 3J1-6
1J16-3	Key Pin	No Connection	1J17-5	GRY	Power: +5V dc / 3J1-6
1J18-4	White	Signal Ground - CPU / 1J11-4	1J17-6	GRY	Power: +5V dc / 3J1-6
1J18-1	---	No Connection	1J17-7	Key Pin	No Connection
1J18-2	---	No Connection	1J17-8	Key Pin	No Connection
1J18-3	---	No Connection	1J17-9	Key Pin	No Connection
1J18-4	---	No Connection	1J17-10	Key Pin	No Connection
1J18-5	---	No Connection	1J18-1	ORG-VIO	Filament Ground / 2J5-5
1J18-6	Key Pin	No Connection	1J18-2	ORG-GRY	Filament Ground / 2J5-4
1J18-7	---	No Connection	1J18-3	ORG-BLU	Sol Soloid 3 (Q79) / 5J3-3
1J18-8	---	No Connection	1J18-4	BLU-FED	Sol Soloid 2 (Q71) / 5J3-6
1J18-9	---	No Connection	1J18-5	Key Pin	No Connection
1J18-10	---	No Connection	1J18-6	Key Pin	No Connection
1J18-11	---	No Connection	1J18-7	Key Pin	No Connection
1J18-12	---	No Connection	1J18-8	Key Pin	No Connection
1J18-13	---	No Connection	1J18-9	Key Pin	No Connection
1J18-14	---	No Connection	1J18-10	Key Pin	No Connection
1J18-15	---	No Connection	1J18-11	Key Pin	No Connection
1J18-16	---	No Connection	1J18-12	Key Pin	No Connection
1J18-17	---	No Connection	1J18-13	Key Pin	No Connection
1J18-18	---	No Connection	1J18-14	Key Pin	No Connection
1J18-19	---	No Connection	1J18-15	Key Pin	No Connection
1J18-20	---	No Connection	1J18-16	Key Pin	No Connection
1J18-21	---	No Connection	1J18-17	Key Pin	No Connection
1J18-22	---	No Connection	1J18-18	Key Pin	No Connection
1J18-23	---	No Connection	1J18-19	Key Pin	No Connection
1J18-24	---	No Connection	1J18-20	Key Pin	No Connection
1J18-25	---	No Connection	1J18-21	Key Pin	No Connection
1J18-26	---	No Connection	1J18-22	Key Pin	No Connection
1J18-27	---	No Connection	1J18-23	Key Pin	No Connection
1J18-28	---	No Connection	1J18-24	Key Pin	No Connection
1J18-29	---	No Connection	1J18-25	Key Pin	No Connection
1J18-30	---	No Connection	1J18-26	Key Pin	No Connection
1J18-31	---	No Connection	1J18-27	Key Pin	No Connection
1J18-32	---	No Connection	1J18-28	Key Pin	No Connection
1J18-33	---	No Connection	1J18-29	Key Pin	No Connection
1J18-34	---	No Connection	1J18-30	Key Pin	No Connection
1J18-35	---	No Connection	1J18-31	Key Pin	No Connection
1J18-36	---	No Connection	1J18-32	Key Pin	No Connection
1J18-37	---	No Connection	1J18-33	Key Pin	No Connection
1J18-38	---	No Connection	1J18-34	Key Pin	No Connection
1J18-39	---	No Connection	1J18-35	Key Pin	No Connection
1J18-40	---	No Connection	1J18-36	Key Pin	No Connection
1J18-41	---	No Connection	1J18-37	Key Pin	No Connection
1J18-42	---	No Connection	1J18-38	Key Pin	No Connection
1J18-43	---	No Connection	1J18-39	Key Pin	No Connection
1J18-44	---	No Connection	1J18-40	Key Pin	No Connection
1J18-45	---	No Connection	1J18-41	Key Pin	No Connection
1J18-46	---	No Connection	1J18-42	Key Pin	No Connection
1J18-47	---	No Connection	1J18-43	Key Pin	No Connection
1J18-48	---	No Connection	1J18-44	Key Pin	No Connection
1J18-49	---	No Connection	1J18-45	Key Pin	No Connection
1J18-50	---	No Connection	1J18-46	Key Pin	No Connection
1J18-51	---	No Connection	1J18-47	Key Pin	No Connection
1J18-52	---	No Connection	1J18-48	Key Pin	No Connection
1J18-53	---	No Connection	1J18-49	Key Pin	No Connection
1J18-54	---	No Connection	1J18-50	Key Pin	No Connection
1J18-55	---	No Connection	1J18-51	Key Pin	No Connection
1J18-56	---	No Connection	1J18-52	Key Pin	No Connection
1J18-57	---	No Connection	1J18-53	Key Pin	No Connection
1J18-58	---	No Connection	1J18-54	Key Pin	No Connection
1J18-59	---	No Connection	1J18-55	Key Pin	No Connection
1J18-60	---	No Connection	1J18-56	Key Pin	No Connection
1J18-61	---	No Connection	1J18-57	Key Pin	No Connection
1J18-62	---	No Connection	1J18-58	Key Pin	No Connection
1J18-63	---	No Connection	1J18-59	Key Pin	No Connection
1J18-64	---	No Connection	1J18-60	Key Pin	No Connection
1J18-65	---	No Connection	1J18-61	Key Pin	No Connection
1J18-66	---	No Connection	1J18-62	Key Pin	No Connection
1J18-67	---	No Connection	1J18-63	Key Pin	No Connection
1J18-68	---	No Connection	1J18-64	Key Pin	No Connection
1J18-69	---	No Connection	1J18-65	Key Pin	No Connection
1J18-70	---	No Connection	1J18-66	Key Pin	No Connection
1J18-71	---	No Connection	1J18-67	Key Pin	No Connection
1J18-72	---	No Connection	1J18-68	Key Pin	No Connection
1J18-73	---	No Connection	1J18-69	Key Pin	No Connection
1J18-74	---	No Connection	1J18-70	Key Pin	No Connection
1J18-75	---	No Connection	1J18-71	Key Pin	No Connection
1J18-76	---	No Connection	1J18-72	Key Pin	No Connection
1J18-77	---	No Connection	1J18-73	Key Pin	No Connection
1J18-78	---	No Connection	1J18-74	Key Pin	No Connection
1J18-79	---	No Connection	1J18-75	Key Pin	No Connection
1J18-80	---	No Connection	1J18-76	Key Pin	No Connection
1J18-81	---	No Connection	1J18-77	Key Pin	No Connection
1J18-82	---	No Connection	1J18-78	Key Pin	No Connection
1J18-83	---	No Connection	1J18-79	Key Pin	No Connection
1J18-84	---	No Connection	1J18-80	Key Pin	No Connection
1J18-85	---	No Connection	1J18-81	Key Pin	No Connection
1J18-86	---	No Connection	1J18-82	Key Pin	No Connection
1J18-87	---	No Connection	1J18-83	Key Pin	No Connection
1J18-88	---	No Connection	1J18-84	Key Pin	No Connection
1J18-89	---	No Connection	1J18-85	Key Pin	No Connection
1J18-90	---	No Connection	1J18-86	Key Pin	No Connection
1J18-91	---	No Connection	1J18-87	Key Pin	No Connection
1J18-92	---	No Connection	1J18-88	Key Pin	No Connection
1J18-93	---	No Connection	1J18-89	Key Pin	No Connection
1J18-94	---	No Connection	1J18-90	Key Pin	No Connection
1J18-95	---	No Connection	1J18-91	Key Pin	No Connection
1J18-96	---	No Connection	1J18-92	Key Pin	No Connection
1J18-97	---	No Connection	1J18-93	Key Pin	No Connection
1J18-98	---	No Connection	1J18-94	Key Pin	No Connection
1J18-99	---	No Connection	1J18-95	Key Pin	No Connection
1J18-100	---	No Connection	1J18-96	Key Pin	No Connection
1J18-101	---	No Connection	1J18-97	Key Pin	No Connection
1J18-102	---	No Connection	1J18-98	Key Pin	No Connection
1J18-103	---	No Connection	1J18-99	Key Pin	No Connection
1J18-104	---	No Connection	1J18-100	Key Pin	No Connection
1J18-105	---	No Connection	1J18-101	Key Pin	No Connection
1J18-106	---	No Connection	1J18-102	Key Pin	No Connection
1J18-107	---	No Connection	1J18-103	Key Pin	No Connection
1J18-108	---	No Connection	1J18-104	Key Pin	No Connection
1J18-109	---	No Connection	1J18-105	Key Pin	No Connection
1J18-110	---	No Connection	1J18-106	Key Pin	No Connection
1J18-111	---	No Connection	1J18-107	Key Pin	No Connection
1J18-112	---	No Connection	1J18-108	Key Pin	No Connection
1J18-113	---	No Connection	1J18-109	Key Pin	No Connection
1J18-114	---	No Connection	1J18-110	Key Pin	No Connection
1J18-115	---	No Connection	1J18-111	Key Pin	No Connection
1J18-116	---	No Connection	1J18-112	Key Pin	No Connection
1J18-117	---	No Connection	1J18-113	Key Pin	No Connection
1J18-118	---	No Connection	1J18-114</		

BACKBOX INTERCONNECT BOARD INTERBOARD SIGNALS

Connector	Wire Color	Signal Designation/Description	Connector	Wire Color	Signal Designation/Description
21-1	WHT-BRN	Switch Row 1/U11-9	21-1	GRN-YEL	+12Vdc Unreg./31-13
21-1	WHT-FED	Switch Row 2/U11-7	21-2	BLK-YEL	No Connection
21-1	WHT-ORG	Switch Row 3/U11-7	21-3	BLK-YEL	Ground/31-5
21-4	WHT-BLK	Switch Row 4/U11-6	21-9	YEL-GRN	Lamp Col 8 (Q51/52)/U19-9
21-6	WHT-BLU	Switch Row 5/U11-5	21-2	YEL-BLK	Lamp Col 5 (Q55/56)/U17-4
21-6	WHT-ORG	Switch Row 6/U11-5	21-3	YEL-GRN	Lamp Col 6 (Q55/56)/U17-4
21-9	WHT-ORG	Switch Row 7/U11-2	21-4	YEL-BLK	Lamp Col 4 (Q58/59)/U17-4
21-9	WHT-GRN	Switch Row 8/U11-1	21-4	YEL-GRN	Lamp Col 5 (Q58/59)/U17-4
21-9	Key Pin	No Connection	21-10	YEL-BRN	No Connection
21-11	GRN-GRY	Switch Col 8 (Q48)/U18-8	21-11	YEL-FED	Lamp Col 2 (Q63/64)/U17-2
21-12	GRN-BLK	Switch Col 9 (Q48)/U18-8	21-8	YEL-FED	Lamp Col 1 (Q63/64)/U17-2
21-14	GRN-BLK	Switch Col 8 (Q49)/U18-5	21-8	YEL-BRN	No Connection
21-15	GRN-ORG	Switch Col 9 (Q49)/U18-3	21-14	YEL-BLK	Lamp Col 3 (Q61/62)/U17-2
21-17	GRN-BRN	Switch Col 2 (Q49)/U18-2	21-10	YEL-GRN	Lamp Col 1 (Q63/64)/U17-2
21-18	GRN-BRN	Switch Col 1 (Q49)/U18-1	21-11	YEL-GRN	Lamp Row 8 (Q61/62)/U19-1
21-1	WHT-BRN	Solenoid 01C H /S15-9	21-14	YEL-BLK	Lamp Col 5 (Q61/62)/U19-1
21-2	WHT-ORG	Solenoid 02C H /S15-9	21-15	YEL-BLK	Lamp Col 5 (Q61/62)/U19-1
21-4	WHT-ORG	Solenoid 03C H /S15-5	21-16	YEL-BLK	Lamp Col 5 (Q61/62)/U19-1
21-4	WHT-GRN	Solenoid 04C H /S15-5	21-17	YEL-BLK	Lamp Col 5 (Q61/62)/U19-1
21-4	WHT-BLU	Solenoid 06C H /S15-3	21-18	YEL-BLK	Lamp Col 5 (Q61/62)/U19-1
21-4	WHT-VO	Solenoid 07C H /S15-2	21-19	YEL-BLK	Lamp Col 5 (Q61/62)/U19-1
21-4	WHT-GRN	Solenoid 08C H /S15-1	21-20	YEL-BLK	Lamp Col 5 (Q61/62)/U19-1
21-9	Key Pin	No Connection	21-21	YEL-BLK	Lamp Col 5 (Q61/62)/U19-1
21-10	WHT-BRN	Solenoid 11 /S16-7	21-22	YEL-BLK	Lamp Col 5 (Q61/62)/U19-1
21-11	WHT-GRN	Solenoid 12 /S16-7	21-23	YEL-BLK	Lamp Col 5 (Q61/62)/U19-1
21-12	WHT-BRN	Solenoid 13 /S16-6	21-24	YEL-BLK	Lamp Col 5 (Q61/62)/U19-1
21-13	WHT-BLK	Solenoid 14 /S16-6	21-25	YEL-BLK	Lamp Col 5 (Q61/62)/U19-1
21-14	WHT-FED	Solenoid 15 /S16-6	21-26	YEL-BLK	Lamp Col 5 (Q61/62)/U19-1
21-15	WHT-ORG	Solenoid 16 /S16-6	21-27	YEL-BLK	Lamp Col 5 (Q61/62)/U19-1
21-16	WHT-ORG	Solenoid 17 /S16-2	21-28	YEL-BLK	Lamp Col 5 (Q61/62)/U19-1
21-17	WHT-ORG	Solenoid 18 /S16-2	21-29	YEL-BLK	Lamp Col 5 (Q61/62)/U19-1
21-18	WHT-ORG	Solenoid 19 /S16-2	21-30	YEL-BLK	Lamp Col 5 (Q61/62)/U19-1
21-19	WHT-ORG	Solenoid 20 /S16-2	21-31	YEL-BLK	Lamp Col 5 (Q61/62)/U19-1
21-20	WHT-ORG	Solenoid 21 /S16-2	21-32	YEL-BLK	Lamp Col 5 (Q61/62)/U19-1
21-21	WHT-ORG	Solenoid 22 /S16-2	21-33	YEL-BLK	Lamp Col 5 (Q61/62)/U19-1
21-22	WHT-ORG	Solenoid 23 /S16-2	21-34	YEL-BLK	Lamp Col 5 (Q61/62)/U19-1
21-23	WHT-ORG	Solenoid 24 /S16-2	21-35	YEL-BLK	Lamp Col 5 (Q61/62)/U19-1
21-24	WHT-ORG	Solenoid 25 /S16-2	21-36	YEL-BLK	Lamp Col 5 (Q61/62)/U19-1
21-25	WHT-ORG	Solenoid 26 /S16-2	21-37	YEL-BLK	Lamp Col 5 (Q61/62)/U19-1
21-26	WHT-ORG	Solenoid 27 /S16-2	21-38	YEL-BLK	Lamp Col 5 (Q61/62)/U19-1
21-27	WHT-ORG	Solenoid 28 /S16-2	21-39	YEL-BLK	Lamp Col 5 (Q61/62)/U19-1
21-28	WHT-ORG	Solenoid 29 /S16-2	21-40	YEL-BLK	Lamp Col 5 (Q61/62)/U19-1
21-29	WHT-ORG	Solenoid 30 /S16-2	21-41	YEL-BLK	Lamp Col 5 (Q61/62)/U19-1
21-30	WHT-ORG	Solenoid 31 /S16-2	21-42	YEL-BLK	Lamp Col 5 (Q61/62)/U19-1
21-31	WHT-ORG	Solenoid 32 /S16-2	21-43	YEL-BLK	Lamp Col 5 (Q61/62)/U19-1
21-32	WHT-ORG	Solenoid 33 /S16-2	21-44	YEL-BLK	Lamp Col 5 (Q61/62)/U19-1
21-33	WHT-ORG	Solenoid 34 /S16-2	21-45	YEL-BLK	Lamp Col 5 (Q61/62)/U19-1
21-34	WHT-ORG	Solenoid 35 /S16-2	21-46	YEL-BLK	Lamp Col 5 (Q61/62)/U19-1
21-35	WHT-ORG	Solenoid 36 /S16-2	21-47	YEL-BLK	Lamp Col 5 (Q61/62)/U19-1
21-36	WHT-ORG	Solenoid 37 /S16-2	21-48	YEL-BLK	Lamp Col 5 (Q61/62)/U19-1
21-37	WHT-ORG	Solenoid 38 /S16-2	21-49	YEL-BLK	Lamp Col 5 (Q61/62)/U19-1
21-38	WHT-ORG	Solenoid 39 /S16-2	21-50	YEL-BLK	Lamp Col 5 (Q61/62)/U19-1
21-39	WHT-ORG	Solenoid 40 /S16-2	21-51	YEL-BLK	Lamp Col 5 (Q61/62)/U19-1
21-40	WHT-ORG	Solenoid 41 /S16-2	21-52	YEL-BLK	Lamp Col 5 (Q61/62)/U19-1
21-41	WHT-ORG	Solenoid 42 /S16-2	21-53	YEL-BLK	Lamp Col 5 (Q61/62)/U19-1
21-42	WHT-ORG	Solenoid 43 /S16-2	21-54	YEL-BLK	Lamp Col 5 (Q61/62)/U19-1
21-43	WHT-ORG	Solenoid 44 /S16-2	21-55	YEL-BLK	Lamp Col 5 (Q61/62)/U19-1
21-44	WHT-ORG	Solenoid 45 /S16-2	21-56	YEL-BLK	Lamp Col 5 (Q61/62)/U19-1
21-45	WHT-ORG	Solenoid 46 /S16-2	21-57	YEL-BLK	Lamp Col 5 (Q61/62)/U19-1
21-46	WHT-ORG	Solenoid 47 /S16-2	21-58	YEL-BLK	Lamp Col 5 (Q61/62)/U19-1
21-47	WHT-ORG	Solenoid 48 /S16-2	21-59	YEL-BLK	Lamp Col 5 (Q61/62)/U19-1
21-48	WHT-ORG	Solenoid 49 /S16-2	21-60	YEL-BLK	Lamp Col 5 (Q61/62)/U19-1
21-49	WHT-ORG	Solenoid 50 /S16-2	21-61	YEL-BLK	Lamp Col 5 (Q61/62)/U19-1
21-50	WHT-ORG	Solenoid 51 /S16-2	21-62	YEL-BLK	Lamp Col 5 (Q61/62)/U19-1
21-51	WHT-ORG	Solenoid 52 /S16-2	21-63	YEL-BLK	Lamp Col 5 (Q61/62)/U19-1
21-52	WHT-ORG	Solenoid 53 /S16-2	21-64	YEL-BLK	Lamp Col 5 (Q61/62)/U19-1
21-53	WHT-ORG	Solenoid 54 /S16-2	21-65	YEL-BLK	Lamp Col 5 (Q61/62)/U19-1
21-54	WHT-ORG	Solenoid 55 /S16-2	21-66	YEL-BLK	Lamp Col 5 (Q61/62)/U19-1
21-55	WHT-ORG	Solenoid 56 /S16-2	21-67	YEL-BLK	Lamp Col 5 (Q61/62)/U19-1
21-56	WHT-ORG	Solenoid 57 /S16-2	21-68	YEL-BLK	Lamp Col 5 (Q61/62)/U19-1
21-57	WHT-ORG	Solenoid 58 /S16-2	21-69	YEL-BLK	Lamp Col 5 (Q61/62)/U19-1
21-58	WHT-ORG	Solenoid 59 /S16-2	21-70	YEL-BLK	Lamp Col 5 (Q61/62)/U19-1
21-59	WHT-ORG	Solenoid 60 /S16-2	21-71	YEL-BLK	Lamp Col 5 (Q61/62)/U19-1
21-60	WHT-ORG	Solenoid 61 /S16-2	21-72	YEL-BLK	Lamp Col 5 (Q61/62)/U19-1
21-61	WHT-ORG	Solenoid 62 /S16-2	21-73	YEL-BLK	Lamp Col 5 (Q61/62)/U19-1
21-62	WHT-ORG	Solenoid 63 /S16-2	21-74	YEL-BLK	Lamp Col 5 (Q61/62)/U19-1
21-63	WHT-ORG	Solenoid 64 /S16-2	21-75	YEL-BLK	Lamp Col 5 (Q61/62)/U19-1
21-64	WHT-ORG	Solenoid 65 /S16-2	21-76	YEL-BLK	Lamp Col 5 (Q61/62)/U19-1
21-65	WHT-ORG	Solenoid 66 /S16-2	21-77	YEL-BLK	Lamp Col 5 (Q61/62)/U19-1
21-66	WHT-ORG	Solenoid 67 /S16-2	21-78	YEL-BLK	Lamp Col 5 (Q61/62)/U19-1
21-67	WHT-ORG	Solenoid 68 /S16-2	21-79	YEL-BLK	Lamp Col 5 (Q61/62)/U19-1
21-68	WHT-ORG	Solenoid 69 /S16-2	21-80	YEL-BLK	Lamp Col 5 (Q61/62)/U19-1
21-69	WHT-ORG	Solenoid 70 /S16-2	21-81	YEL-BLK	Lamp Col 5 (Q61/62)/U19-1
21-70	WHT-ORG	Solenoid 71 /S16-2	21-82	YEL-BLK	Lamp Col 5 (Q61/62)/U19-1
21-71	WHT-ORG	Solenoid 72 /S16-2	21-83	YEL-BLK	Lamp Col 5 (Q61/62)/U19-1
21-72	WHT-ORG	Solenoid 73 /S16-2	21-84	YEL-BLK	Lamp Col 5 (Q61/62)/U19-1
21-73	WHT-ORG	Solenoid 74 /S16-2	21-85	YEL-BLK	Lamp Col 5 (Q61/62)/U19-1
21-74	WHT-ORG	Solenoid 75 /S16-2	21-86	YEL-BLK	Lamp Col 5 (Q61/62)/U19-1
21-75	WHT-ORG	Solenoid 76 /S16-2	21-87	YEL-BLK	Lamp Col 5 (Q61/62)/U19-1
21-76	WHT-ORG	Solenoid 77 /S16-2	21-88	YEL-BLK	Lamp Col 5 (Q61/62)/U19-1
21-77	WHT-ORG	Solenoid 78 /S16-2	21-89	YEL-BLK	Lamp Col 5 (Q61/62)/U19-1
21-78	WHT-ORG	Solenoid 79 /S16-2	21-90	YEL-BLK	Lamp Col 5 (Q61/62)/U19-1
21-79	WHT-ORG	Solenoid 80 /S16-2	21-91	YEL-BLK	Lamp Col 5 (Q61/62)/U19-1
21-80	WHT-ORG	Solenoid 81 /S16-2	21-92	YEL-BLK	Lamp Col 5 (Q61/62)/U19-1
21-81	WHT-ORG	Solenoid 82 /S16-2	21-93	YEL-BLK	Lamp Col 5 (Q61/62)/U19-1
21-82	WHT-ORG	Solenoid 83 /S16-2	21-94	YEL-BLK	Lamp Col 5 (Q61/62)/U19-1
21-83	WHT-ORG	Solenoid 84 /S16-2	21-95	YEL-BLK	Lamp Col 5 (Q61/62)/U19-1
21-84	WHT-ORG	Solenoid 85 /S16-2	21-96	YEL-BLK	Lamp Col 5 (Q61/62)/U19-1
21-85	WHT-ORG	Solenoid 86 /S16-2	21-97	YEL-BLK	Lamp Col 5 (Q61/62)/U19-1
21-86	WHT-ORG	Solenoid 87 /S16-2	21-98	YEL-BLK	Lamp Col 5 (Q61/62)/U19-1
21-87	WHT-ORG	Solenoid 88 /S16-2	21-99	YEL-BLK	Lamp Col 5 (Q61/62)/U19-1
21-88	WHT-ORG	Solenoid 89 /S16-2	21-100	YEL-BLK	Lamp Col 5 (Q61/62)/U19-1

BACKBOX INTERCONNECT BOARD INTERBOARD SIGNALS

Connector	Wire Color	Signal Designation/Description	Connector	Wire Color	Signal Designation/Description
214-1	RED-BRN	Lamp Row 1	2112-13	BLK-YEL	Solenoid 04C
214-2	RED-BLK	Lamp Row 2	2112-14	BLK-ORG	Solenoid 04C
214-3	RED-ORG	Lamp Row 3	2112-15	BLK-FED	Solenoid 02C
214-4	RED-YEL	Lamp Row 4	2112-16	BLK-BRN	Solenoid 01C
214-5	RED-GRN	Lamp Row 5	2118-1	GRN-BRN	Switch Col 1
214-6	RED-BLU	Lamp Row 6	2118-2	WHT-GRN	Switch Row 9
214-7	RED-GRN	Lamp Row 7	2118-3	WHT-TND	Switch Row 9
214-8	RED-GRN	Lamp Row 8	2118-4	WHT-FED	Switch Row 5
214-9	RED-GRN	Lamp Row 9	2118-5	WHT-FED	Switch Row 5
214-10	YEL-BRN	No Connection	2118-6	WHT-FED	Switch Row 5
214-11	YEL-FED	Lamp Col 2	2118-7	WHT-FED	Switch Row 5
214-12	YEL-FED	Lamp Col 2	2118-8	WHT-FED	Switch Row 5
214-13	YEL-BLK	Lamp Col 3	2118-9	WHT-FED	Switch Row 5
214-14	YEL-BLK	Lamp Col 4	2118-10	WHT-FED	Switch Row 5
214-15	YEL-BLK	Lamp Col 5	2118-11	WHT-FED	Switch Row 5
214-16	YEL-BLU	Lamp Col 5	2118-12	WHT-FED	Switch Row 5
214-17	YEL-BLU	Lamp Col 5	2118-13	WHT-FED	Switch Row 5
214-18	YEL-GRN	Lamp Col 8	2118-14	WHT-FED	Switch Row 5
219-1	GRN-FED	Switch Col 2	2118-9	WHT-FED	Switch Row 8
219-2	GRN-ORG	Switch Col 3	2118-10	WHT-FED	Switch Row 7
219-3	GRN-YEL	Switch Col 4	2118-11	WHT-FED	Switch Row 6
219-4	GRN-BLK	Switch Col 4	2118-12	WHT-FED	Switch Row 5
219-5	GRN-BLU	Switch Col 5	2118-13	WHT-FED	Switch Row 4
219-6	GRN-GRN	Switch Col 6	2118-14	WHT-FED	Switch Row 4
219-7	GRN-GRY	Switch Col 8	2118-15	WHT-FED	Switch Row 2
219-8	No Connection	No Connection	2118-16	WHT-FED	Switch Row 1
2116-1	BLK-YEL	Key Pin	2116-1	BLK-YEL	No Connection
2116-2	GRN-YEL	No Connection	2116-2	GRN-YEL	No Connection
2116-3	GRN-YEL	No Connection	2116-3	GRN-YEL	No Connection

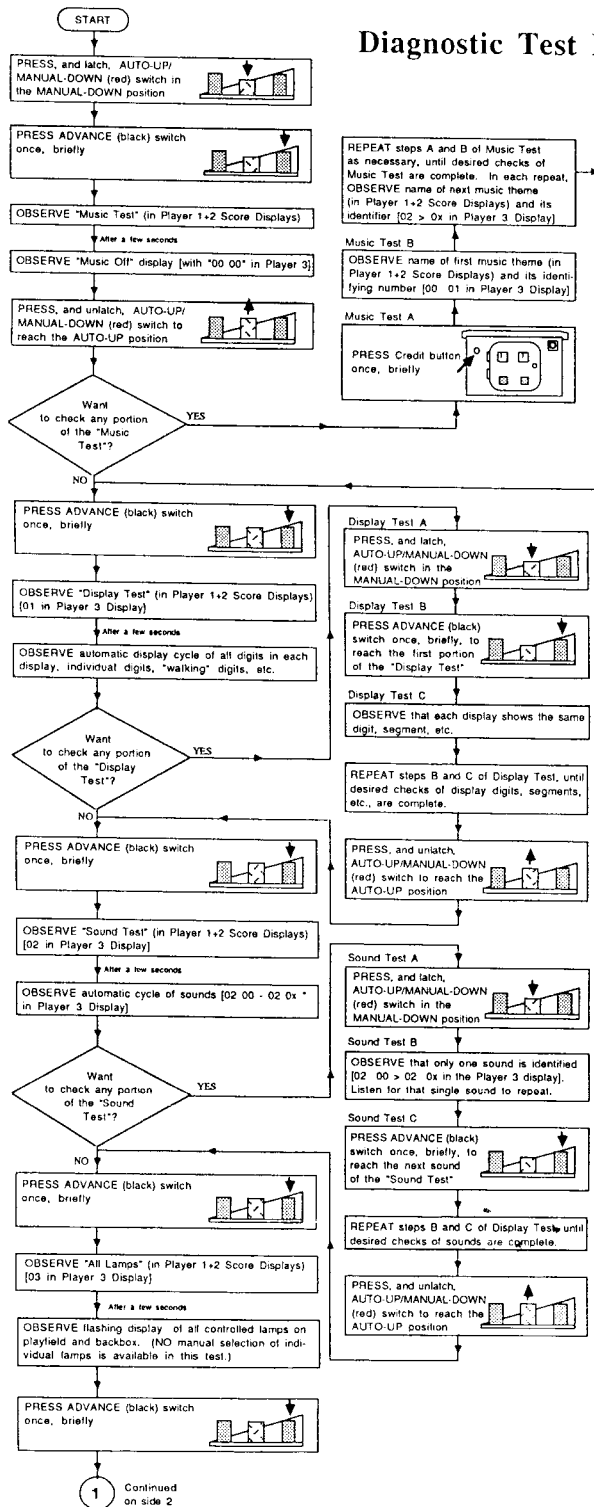
AUDIO BOARD INTERBOARD SIGNALS

Connector	Wire Color	Signal Designation/Description	Connector	Wire Color	Signal Designation/Description
113-1	RED	Sound Input (from CPU) /U16-1	1122-1	RED	Signal Level (to Vol Ctrl)
113-2	BLK	Sound Input (from CPU) /U16-2	1122-2	BLK	Signal Level (from Vol Ctrl)
113-3	BLK	Ground /U16-4	1122-3	shield	No Connection
113-4	WHT	Ground /U16-4	1122-4	shield	No Connection
113-1	GRN	Power: +5Vdc /31-7	114	Ribbon Cable from CPU U21	
113-2	BLK	Power: -12Vdc Unreg /31-15	1125-1	BLK-YEL / Speaker	
113-3	---	No Connection	1125-2	BLK-YEL / Speaker	
113-4	---	No Connection	1125-3	BLK / Speaker	
113-5	WHT-GRY	Power: +12Vdc Unreg /31-11	1125-4	BLK / Speaker	

LEFT DISPLAY INTERBOARD SIGNALS

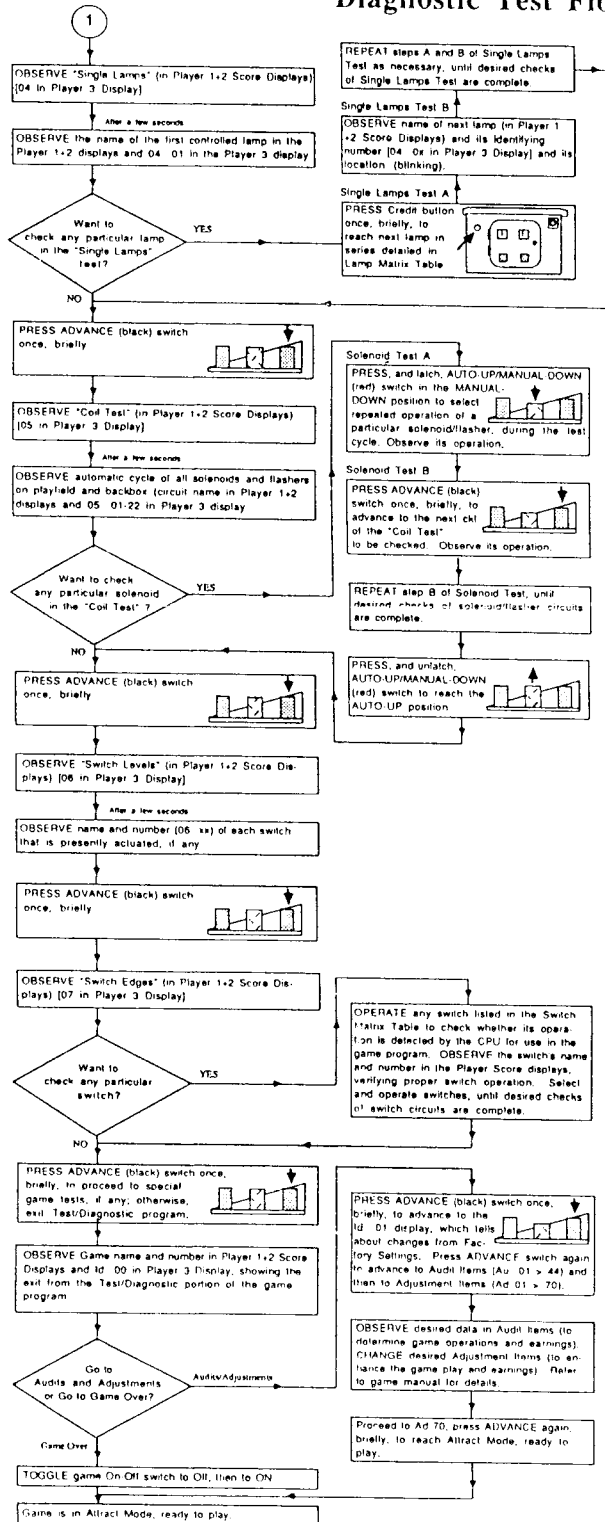
Connector	Wire Color	Signal Designation/Description	Connector	Wire Color	Signal Designation/Description
411-1	BRN-GRY	ST-8: Digit Display Stroke / U1-1	412-1	VO-GRY	ST-16: Digit Display Stroke / U2-1
411-2					

# Diagnostic Test Flowchart



DIAGNOSTIC TEST FLOWCHART (SIDE 1)

### Diagnostic Test Flowchart Side 2



Flow Chart 3-24