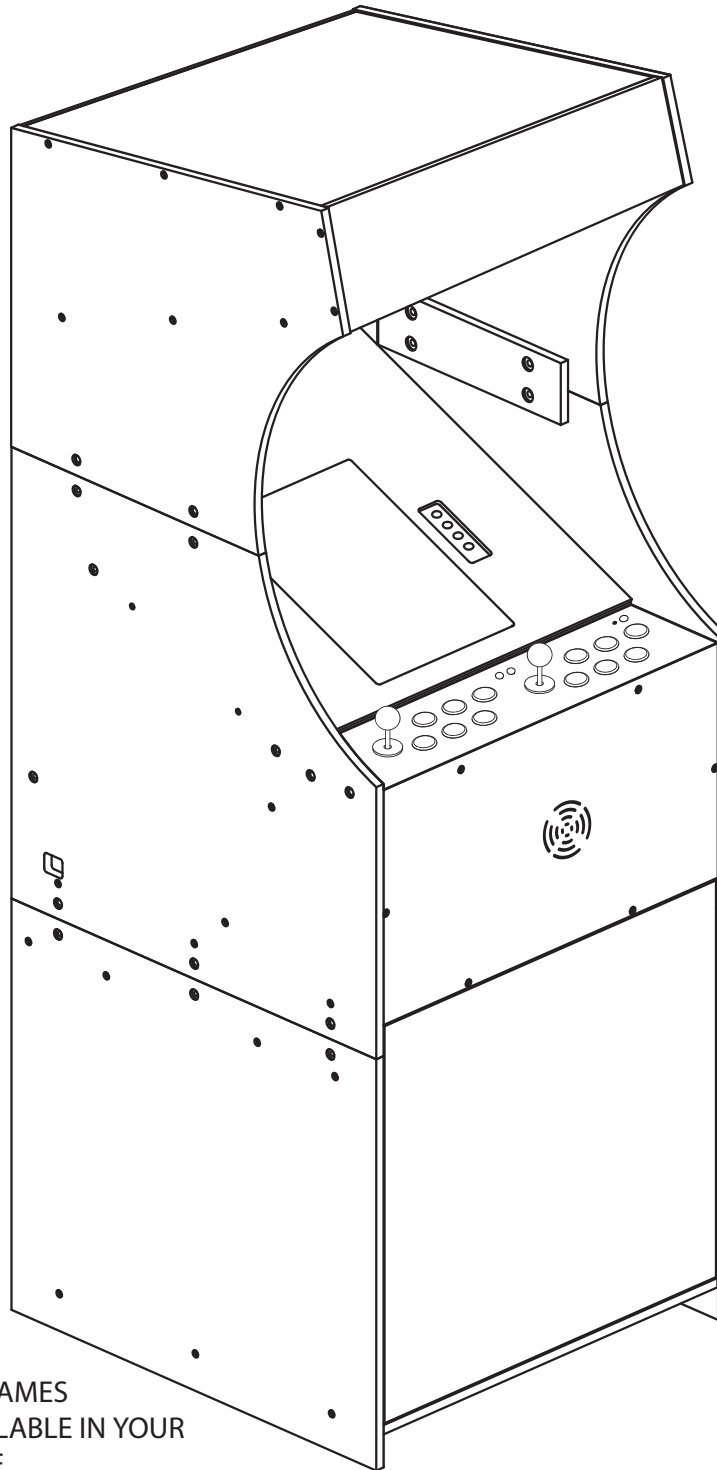




BIG GAMES HOME VIDEO ARCADE ASSEMBLY INSTRUCTIONS



IN-HOME ASSEMBLY OF YOUR BIGGAMES
HOME VIDEO ARCADE MAY BE AVAILABLE IN YOUR
AREA FOR AN ADDITIONAL CHARGE.
FOR INFORMATION, PLEASE CALL (800) 749-4345.

© 2006 Big Electronic Games Ltd.

Item# 43100

WARNING:

To reduce the risk of fire or electric shock, do not expose this appliance to rain or moisture.

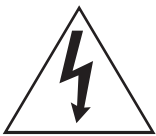
CAUTION:

Use of controls or adjustments or performance of procedures other than those specified may result in hazardous radiation exposure.

*Caution Marking was located at the rear enclosure of the apparatus



CAUTION-TO REDUCE THE RISK OF ELECTRIC SHOCK, DO NOT REMOVE COVER (OR BACK). NO USER-SERVICEABLE PARTS INSIDE. REFER TO QUALIFIED SERVICE PERSONNEL.



The lightning flash with arrowhead symbol, within an equilateral triangle, is intended to alert the user to the presence of uninsulated “dangerous voltage” within the product’s enclosure that may be of sufficient magnitude to constitute a risk of electric shock to persons.



The exclamation point within an equilateral triangle is intended to alert the user to the presence of important operating and maintenance (servicing) instructions in the literature accompanying the appliance.

IMPORTANT SAFETY INSTRUCTIONS

1. Read these Instructions.
2. Keep these Instructions.
3. Heed all Warnings.
4. Follow all Instructions.
5. Do not use this apparatus near water.
6. Clean only with a dry cloth.
7. Do not block any of the ventilation openings. Install in accordance with the manufacturers instructions.
8. Do not install near any heat sources such as radiators, heat registers, stoves, or other apparatus (including amplifiers) that produce heat.
9. Do not defeat the safety purpose of the polarized or grounding – type plug. A polarized plug has two blades with one wider than the other. A grounding type plug has two blades and a third grounding prong. The wide blade or the third prong are provided for your safety. If the provided plug does not fit into your outlet, consult an electrician for replacement of the obsolete outlet.
10. Protect the power cord from being walked on or pinched particularly at plugs, convenience receptacles, and the point where they exit from the apparatus.
11. Only use attachments/accessories specified by the manufacturer.
12. Use only with a cart, stand, tripod, bracket, or table specified by the manufacturer, or sold with the apparatus. When a cart is used, use caution when moving the cart/apparatus combination to avoid injury from tip-over.
13. Unplug this apparatus during lightning storms or when unused for long periods of time.
14. Refer all servicing to qualified service personnel. Servicing is required when the apparatus has been damaged in any way, such as power-supply cord or plug is damaged, liquid has been spilled or objects have fallen into the apparatus, the apparatus has been exposed to rain or moisture, does not operate normally, or has been dropped.



Included Hardware:



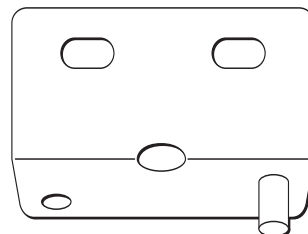
#1 Screw x 52pcs.
(10 Extra Included)



#2 Screw x 10pcs.
(5 Extra Included)



#3 Screw x 2pc.
(1 Extra Included)



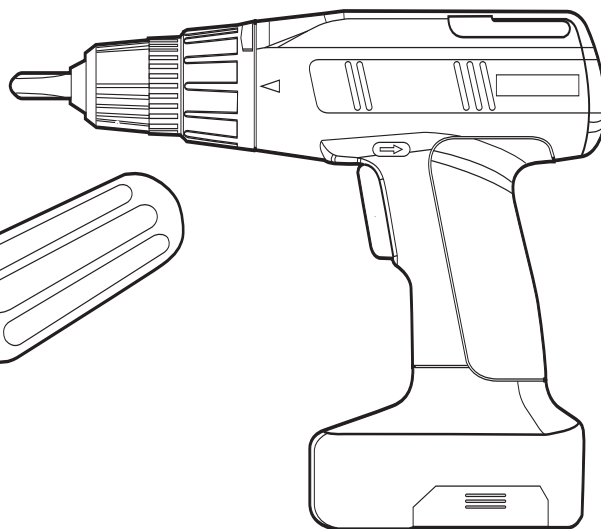
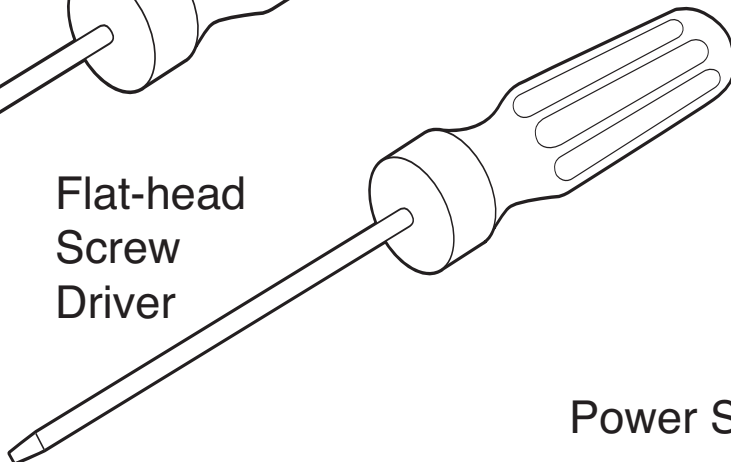
Bracket x 1pc.

You will also need (NOT INCLUDED):

Phillips Screw
Driver



Flat-head
Screw
Driver



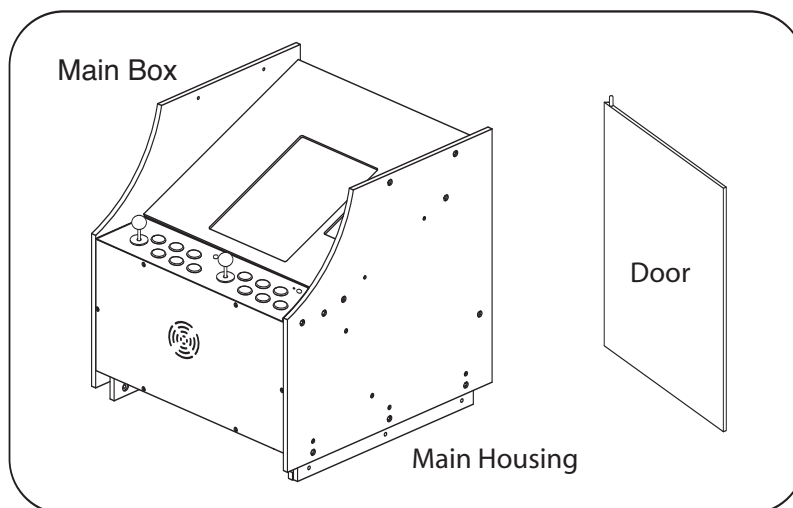
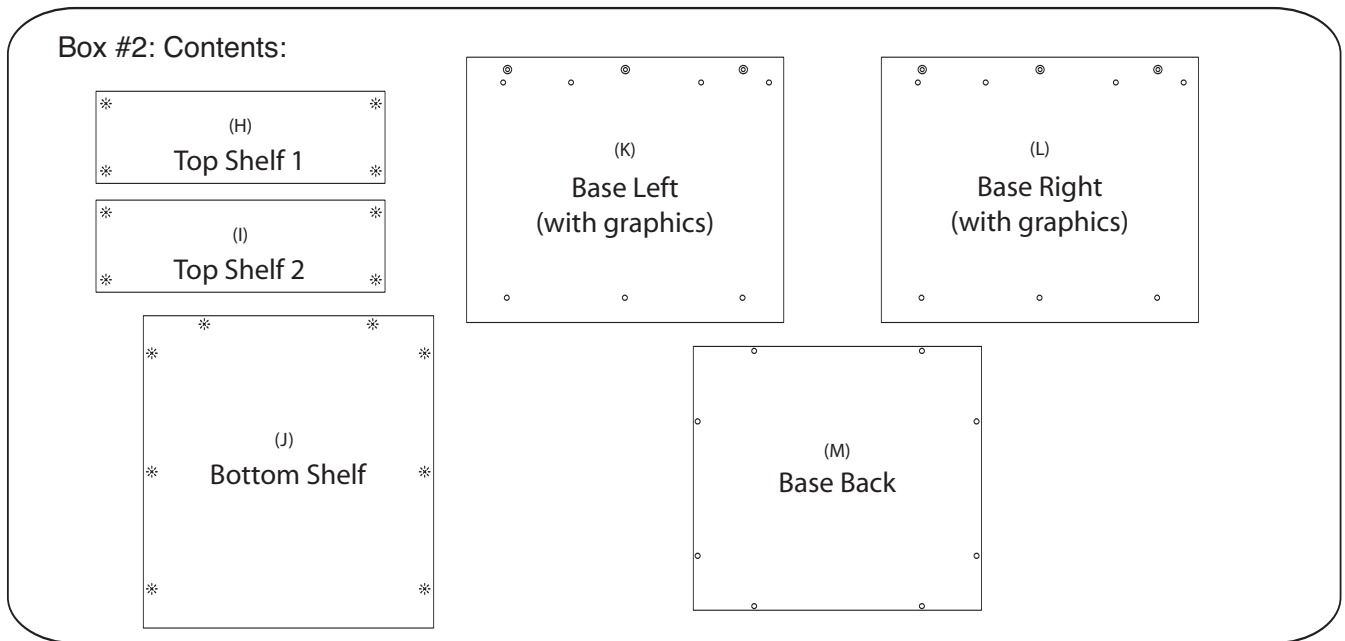
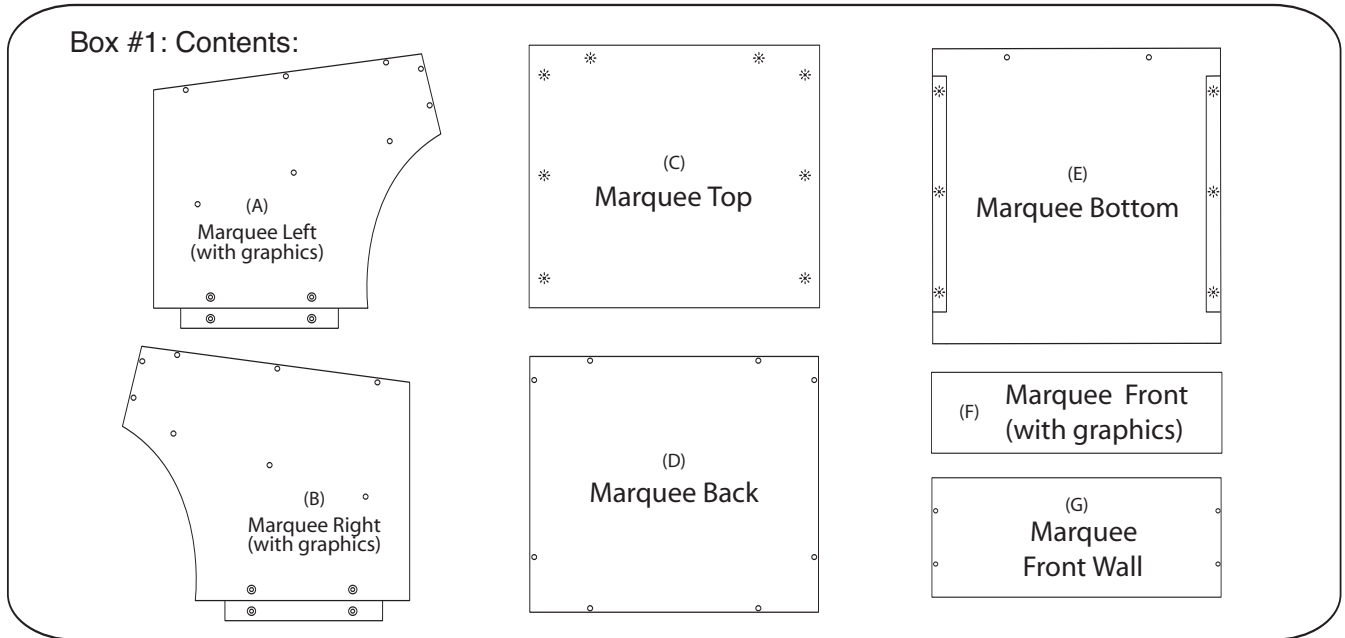
Power Screw Driver (Optional)

Please read the following instructions BEFORE you begin!

**After all parts have been unpacked, assembly time is
Approximately 30 Minutes.**

Assembly Instructions: Open and unpack Main Box, Box #1 and Box #2.
Be sure to keep the contents of each box together.

The following parts are included:



Step #1: Assemble the Base

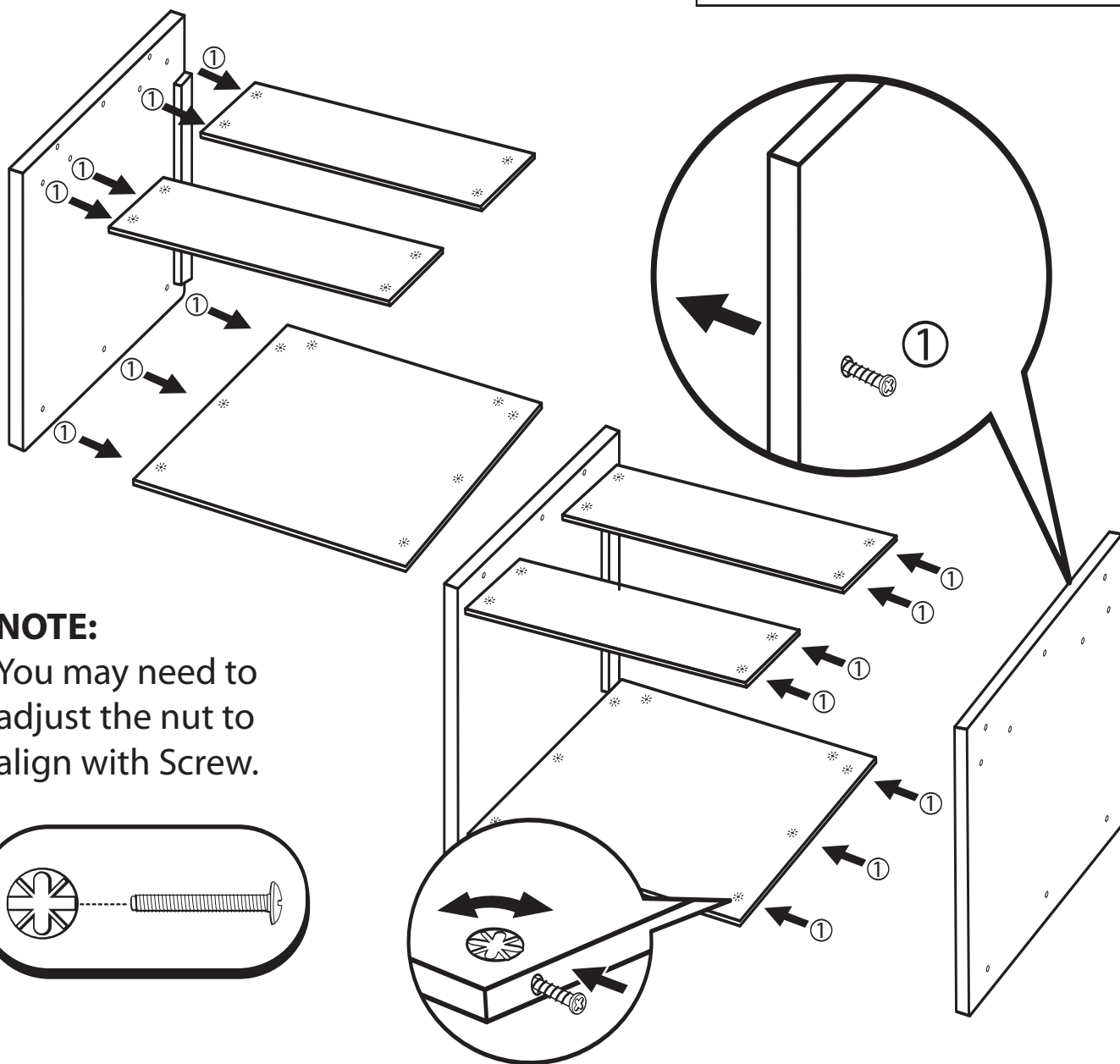
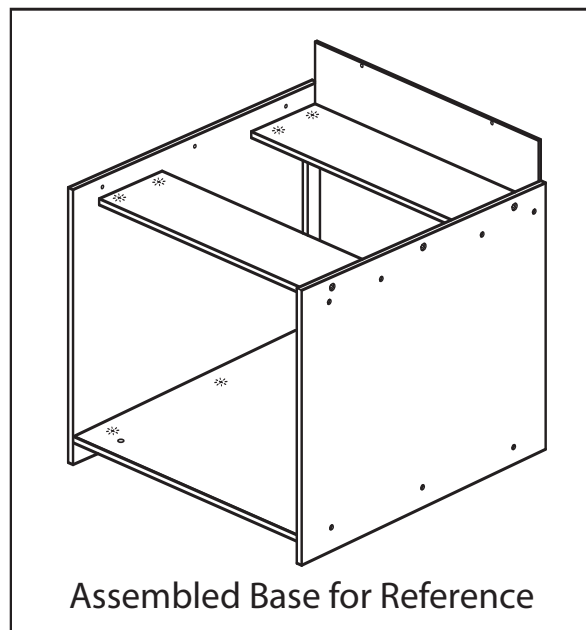
You will need:

- 20 pcs. x #1 Screws
- Base Left
- Base Right
- Base Back
- Top Shelf x 2 pcs.
- Bottom Shelf

Step #1: Attach Bottom Shelf to Base Left

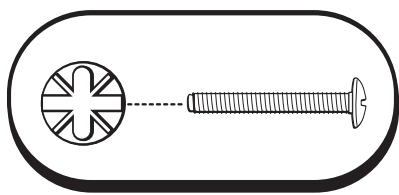
Step #2: Attach 2 Top Shelves to Base Left

Step #3: Attach Base Right



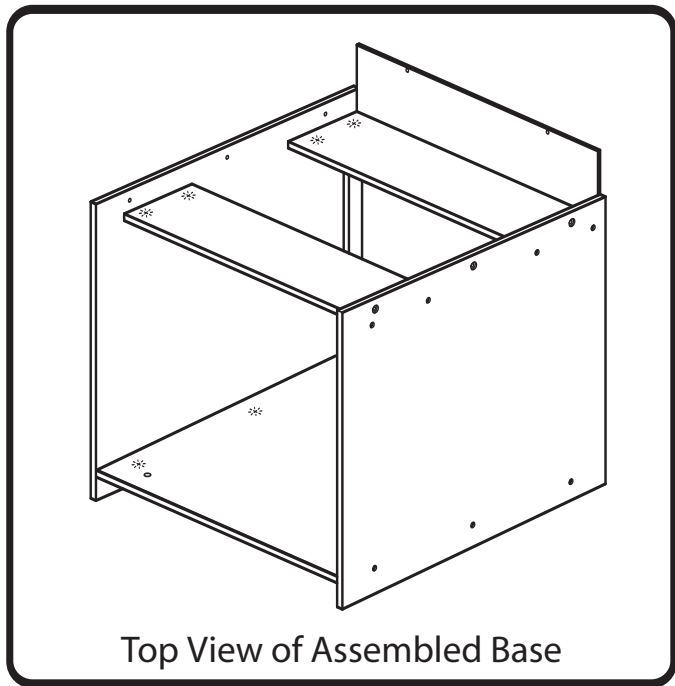
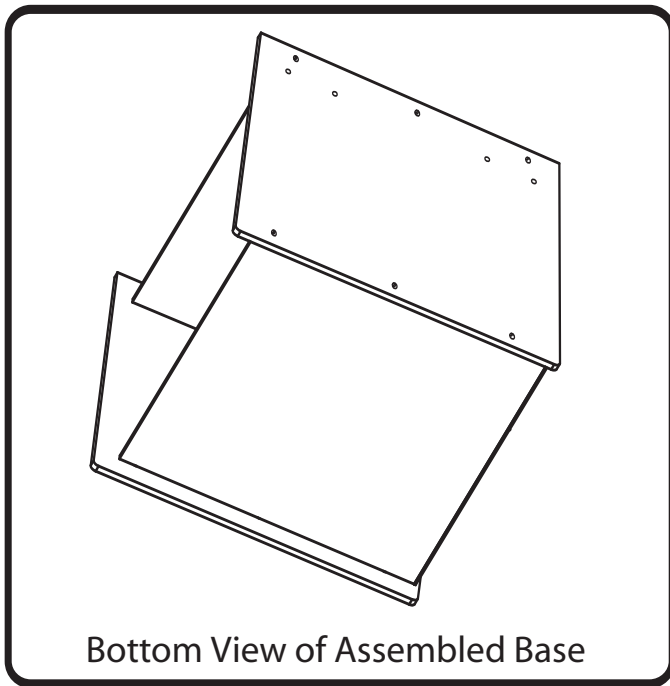
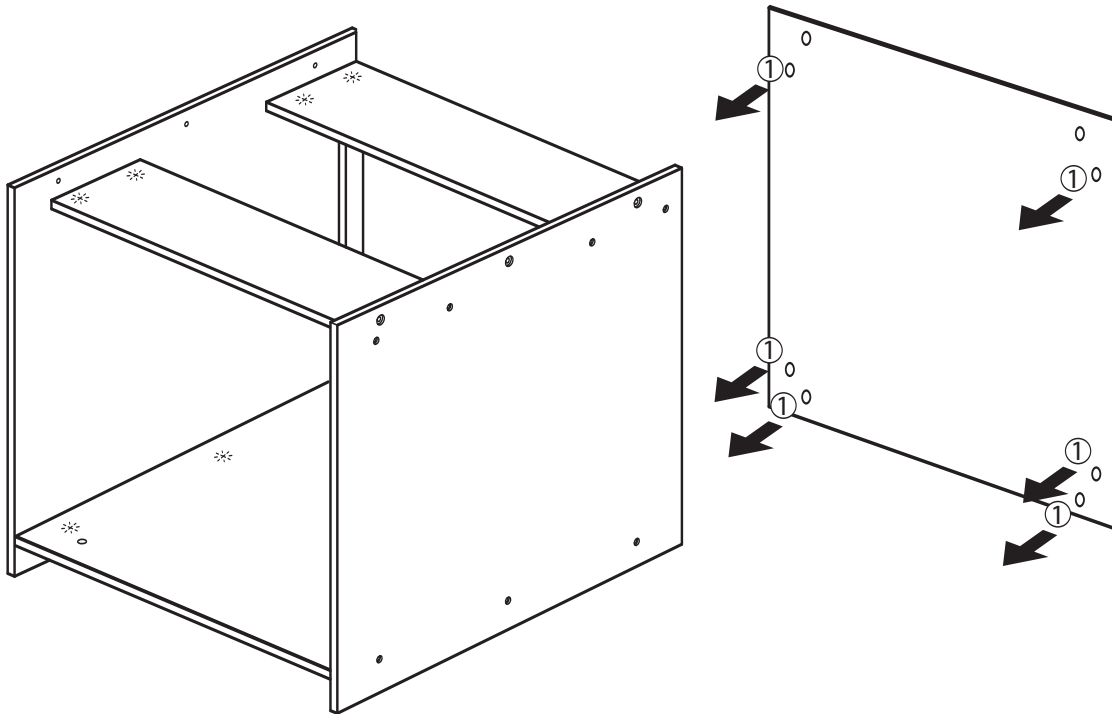
NOTE:

You may need to adjust the nut to align with Screw.



① - #1 SCREW

Step #4: Attach Base Back to complete Base assembly



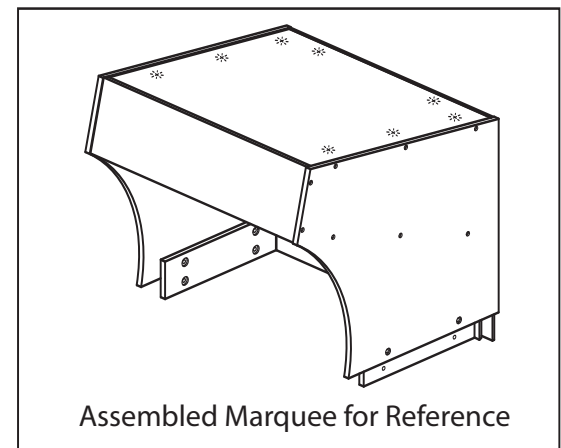
Step #5: You can put the Base aside as you will not be needing it until the final assembly.

① #1 SCREW

Step #2: Assemble the Marquee

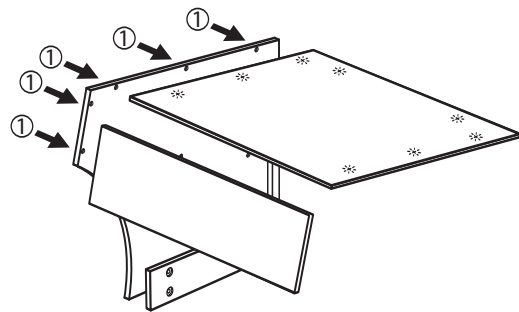
You will need:

- 28 pcs. x #1 Screws
- Marquee Left
- Marquee Right
- Marquee Back
- Marquee Bottom
- Marquee Top
- Marquee Front
- Marquee Front Wall



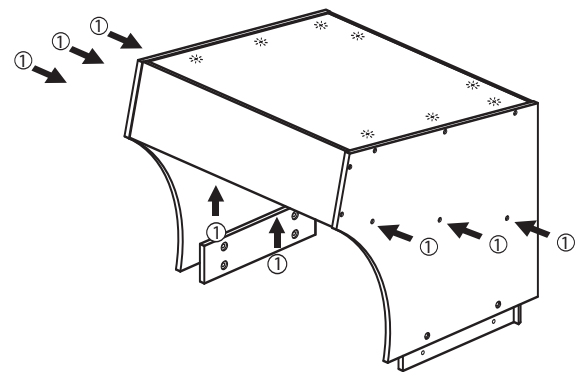
Step #1: Attach Marquee Top to Marquee Left

Step #2: Attach Marquee Front



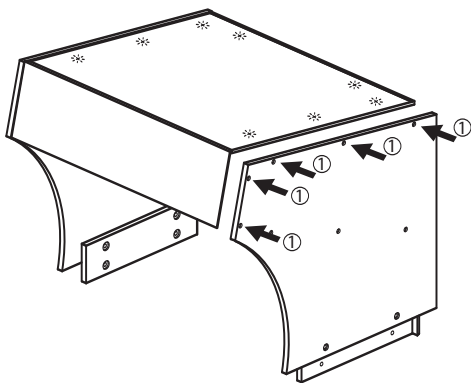
Step #5:

Attach the Marquee Bottom in as shown



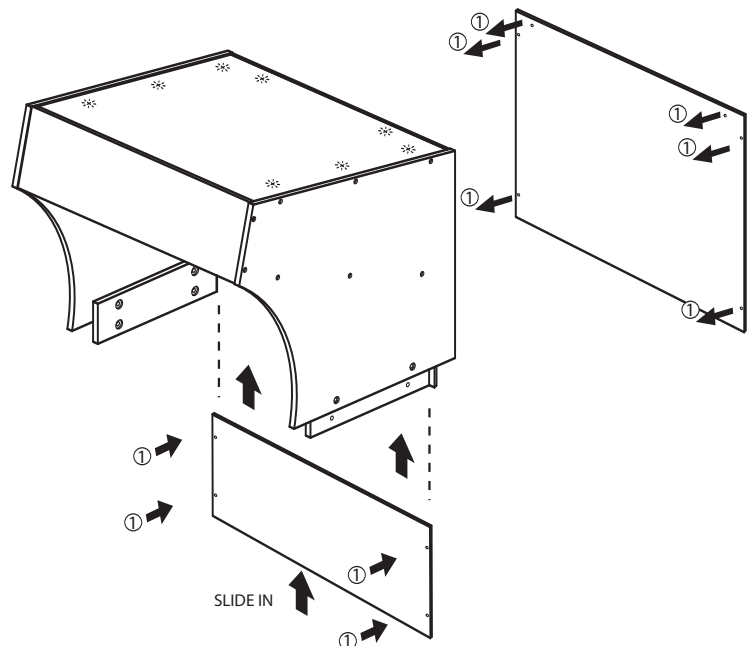
Step #3:

Attach Marquee Right

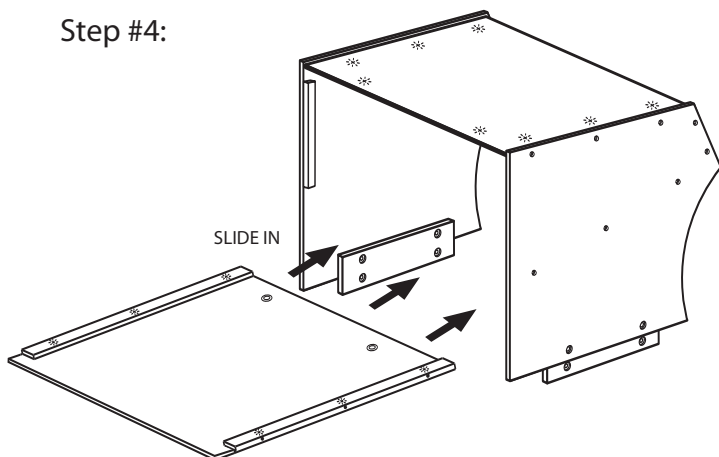


Step #6:

Attach the Marquee Back



Step #4:



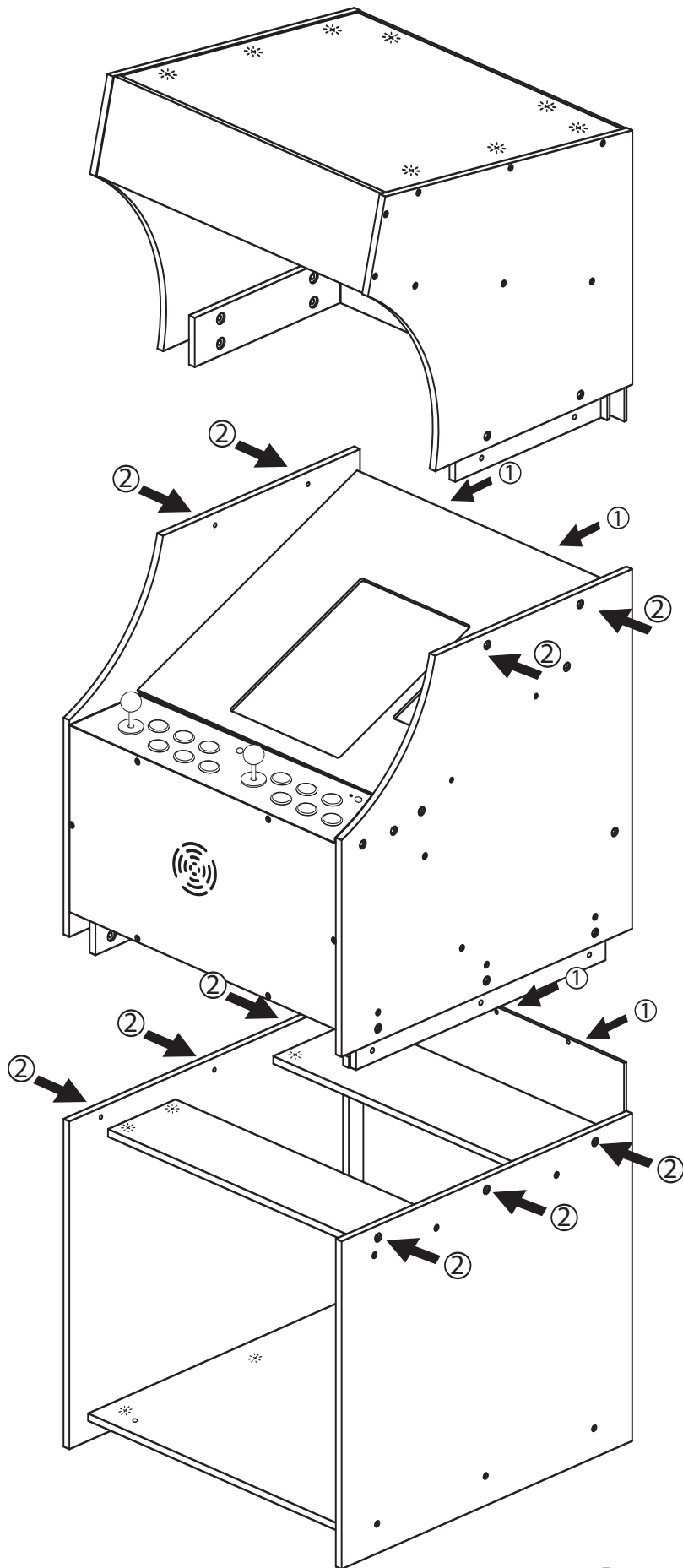
Step #3: Final Assembly

2 ADULTS ARE REQUIRED FOR FINAL ASSEMBLY!

Step #1: Set the Main Housing on top of the base.

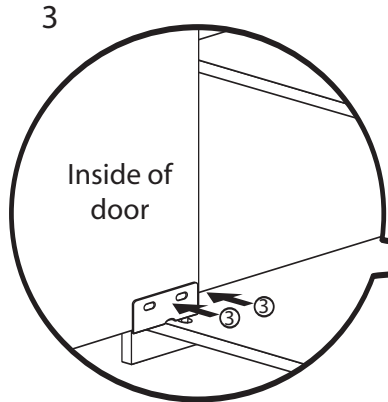
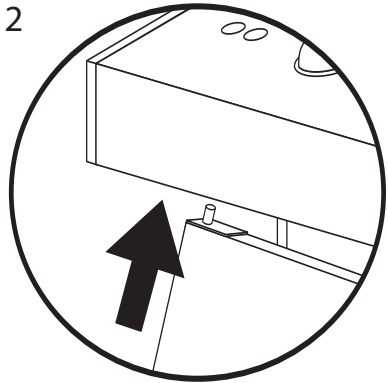
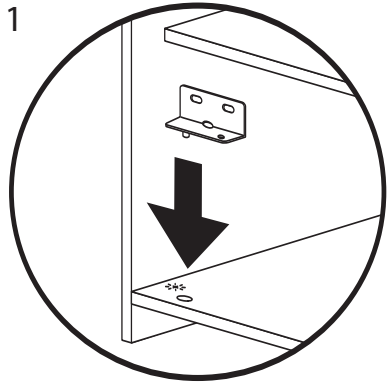
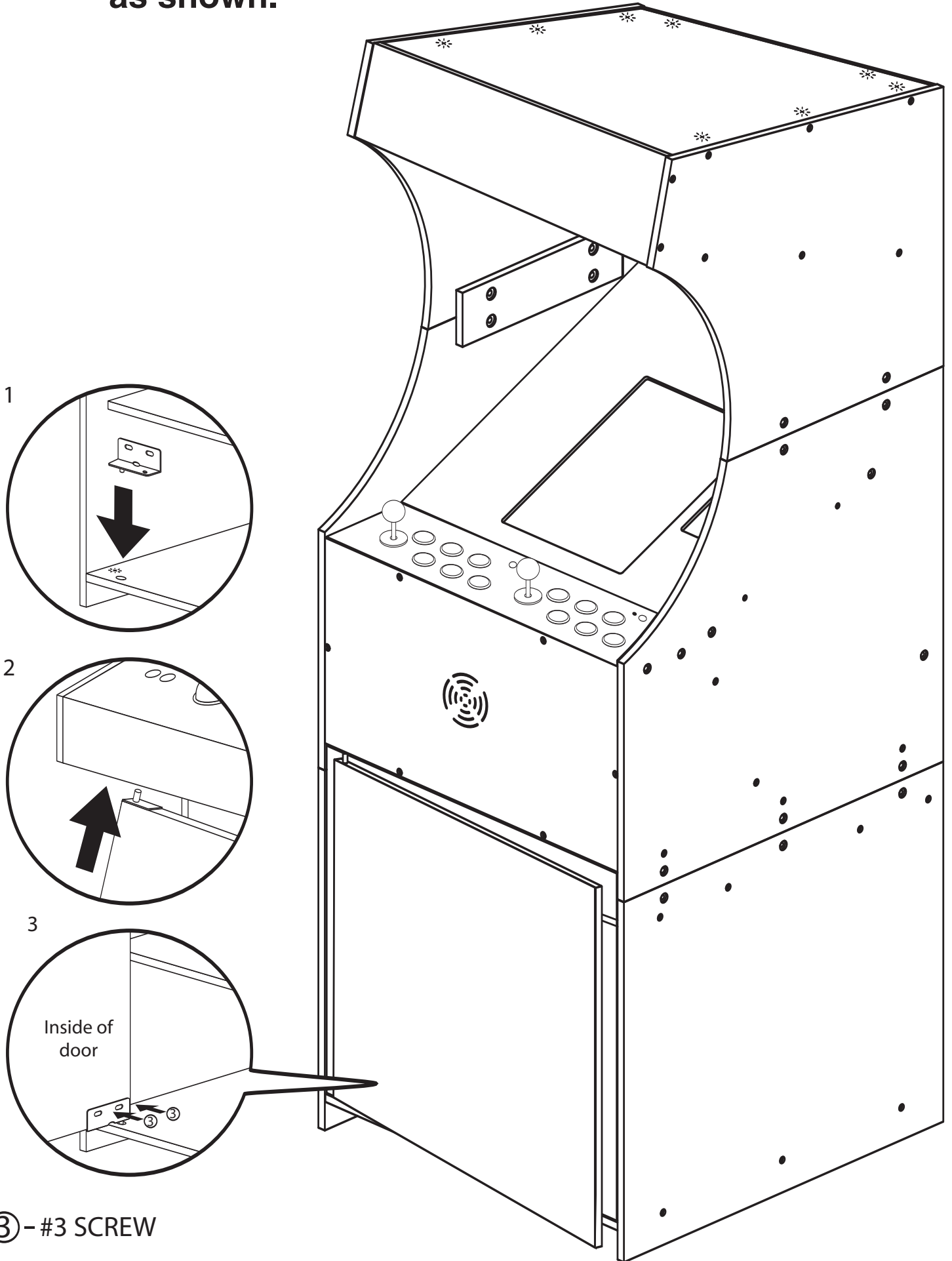
Step #2: Secure the Main Housing to the base using the #1 and #2 screws as shown.

Step #3: Set the Marquee on top of the Main Housing and secure it in place with 4, #2 screws and 2, #1 screws as shown



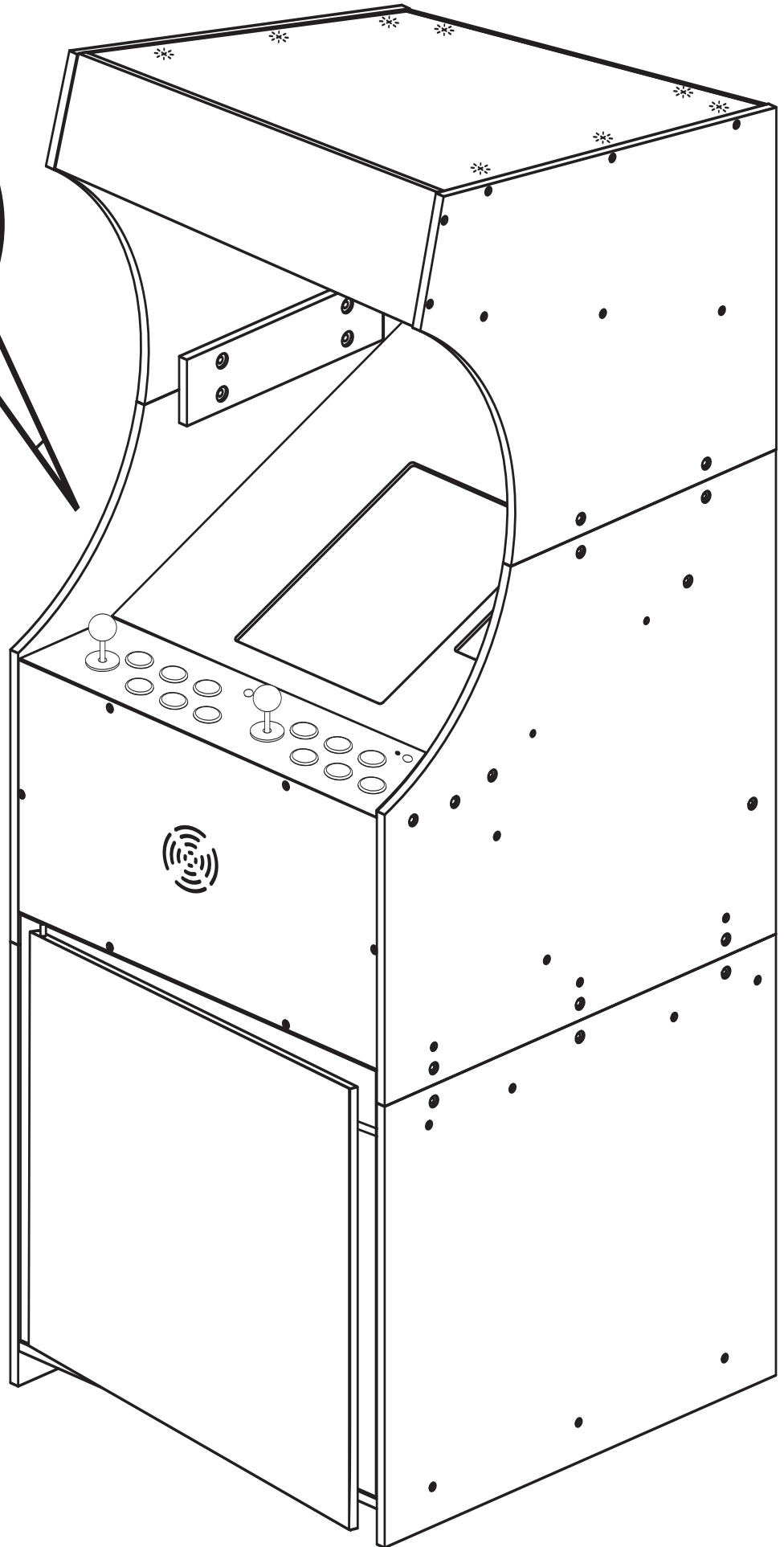
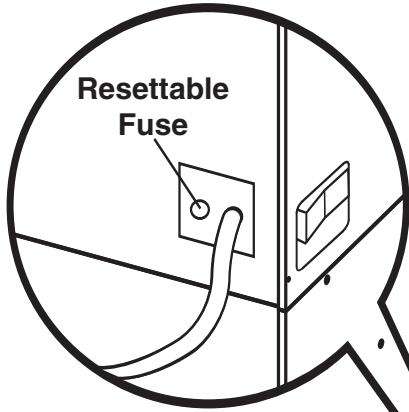
- ① - #1 SCREW
- ② - #2 SCREW

Step #4: Attach the door as shown.



③ - #3 SCREW

**POWER ON/OFF
AT SIDE PANEL**



FCC Note: USA only

This device complies with Part 15 of the FCC Rules. Operation is subject to the following two conditions: (1) this device may not cause harmful interference, and (2) this device must accept any interference received, including interference that may cause undesired operation.

Warning: Changes or modifications to this unit not expressly approved by the party responsible for compliance could void the user's authority to operate the equipment.

Note: This equipment has been tested and found to comply with the limits for a class B digital device, pursuant to Part 15 of the FCC Rules. These limits are designed to provide reasonable protection against harmful interference in a residential installation. This equipment generates, uses and can radiate radio frequency energy and, if not installed and used in accordance with the instructions, may cause harmful interference to radio communications. However, there is no guarantee that interference will not occur in a particular installation. If this equipment does cause harmful interference to radio or television reception, which can be determined by turning the equipment off and on, the user is encouraged to try to correct the interference by one or more of the following measures:

1. Reorient or relocate the receiving antenna.
2. Increase the separation between the equipment and receiver.
3. Connect the equipment into an outlet on a circuit different from that to which the receiver is connected.
4. Consult the dealer or an experienced radio/TV technician for help.

Big Electronic Games and Big Games are ™ 2006 Big Electronic Games Ltd. All Rights Reserved.
All other ™ and © are trademarks or registered trademarks of Konami Digital Entertainment Co., Ltd.
and/or Konami Corporation.
All Rights Reserved.

Used by permission. Distributed under license by Big Electronic Games Limited.
©2006 Big Electronic Games Limited. All Rights Reserved.

DO NOT RETURN TO STORE

We're Here to Help!

Please e-mail support@mybiggames.com or call (800) 749 4345.

Made in China