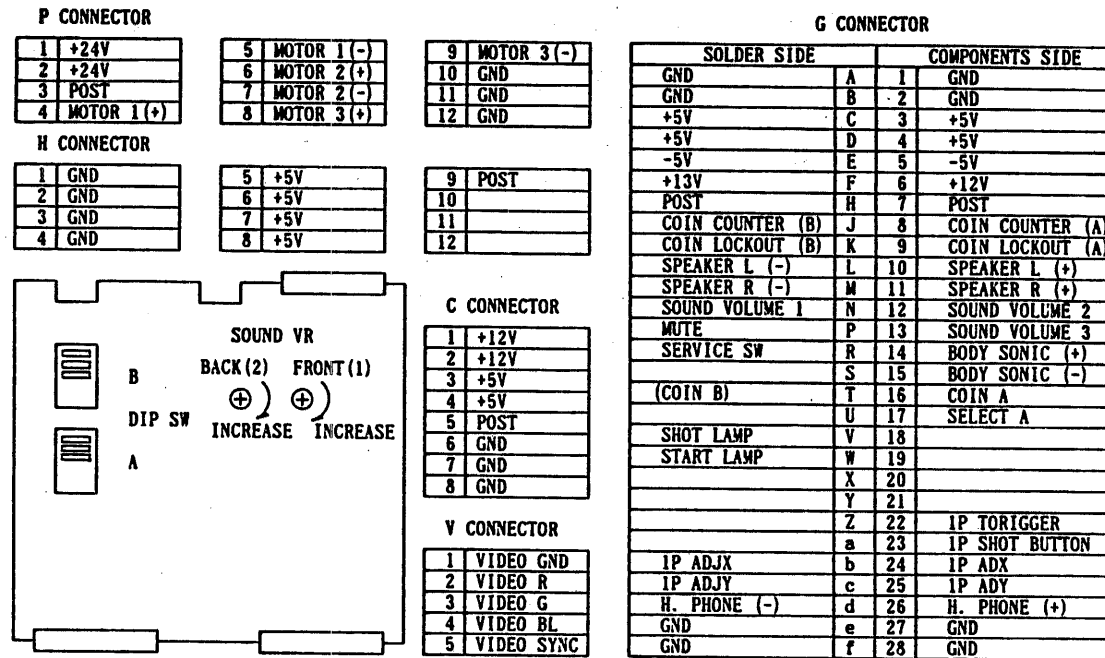


ADJUSTMENT ON GAME PC BOARD (NIGHT STRIKER G25 00531A)



☆ THE CONTROL OF THIS GAME USES ONE ANAROGUE LEVER AND 2 BUTTONS.

NOTE: BEFORE CHANGING THE SETTINGS OF DIP SWITCHES. TURN THE POWER OFF.

◇ SETTING OF DIP SWITCH A

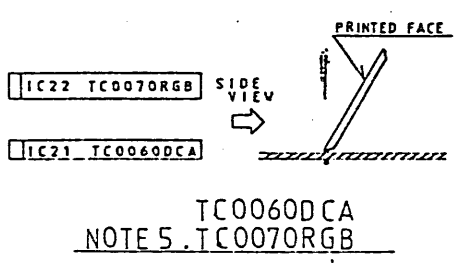
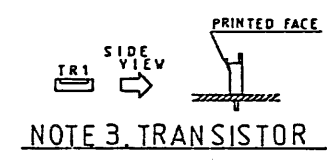
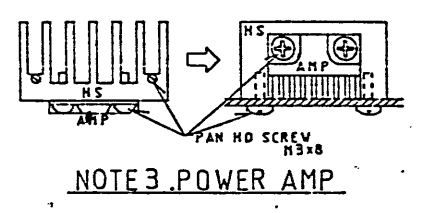
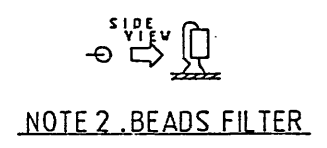
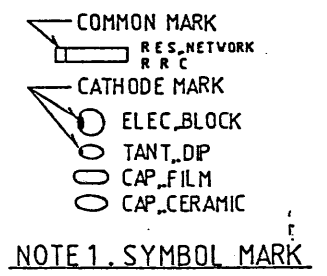
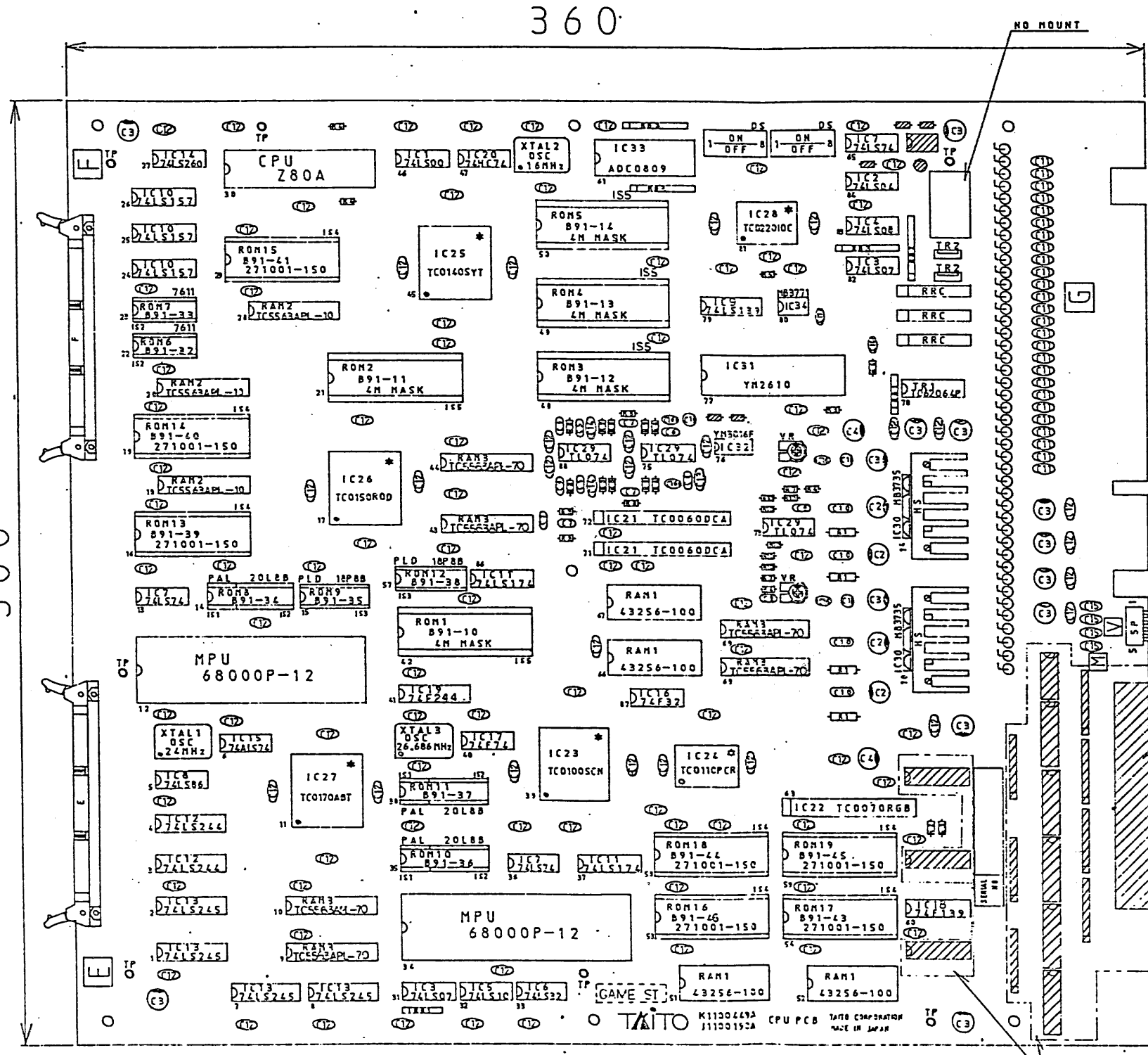
(*) : FACTORY SETTING

SETTINGS	POSITIONS	1	2	3	4	5	6	7	8
GAME STYLE	COCKPIT	OFF	OFF	-					
	UPRIGHT	ON							
TEST MODE	* NORMAL GAME			OFF					
	TEST MODE			ON					
ATTRACT SOUND	* WITH				OFF				
	WITHOUT				ON				
PLAY PRICING	* 1 COIN 1 PLAY		OFF			OFF	OFF		
	2 COINS 1 PLAY					ON			
	3 COINS 1 PLAY					OFF			
	4 COINS 1 PLAY					ON			
CONTINUED PLAY PRICING	* 1 COIN 1 PLAY							OFF	OFF
	1 COIN CONTINUE							ON	
	2 COINS CONTINUE							OFF	
	3 COINS CONTINUE							ON	ON

◇ SETTING OF DIP SWITCH B

SETTINGS	POSITIONS	1	2	3	4	5	6	7	8
GAME DIFFICULTY EASY (A) → DIFFICULT (D)	* RANK B	OFF	OFF						
	RANK A	ON							
	RANK C	OFF	ON						
	RANK D	ON							
NUMBER OF ADDING SHIELD(S)	* 1			OFF	OFF				
	3			ON					
	2			OFF	ON				
	0			ON					
NUMBER OF SHIELDS AT GAME START	* 5					OFF	OFF		
	6					ON			
	4					OFF	ON		
	3					ON			
CONTINUED PLAY	* WITH							OFF	
	WITHOUT							ON	
TRIGGER TURBO	* 7 SHOTS/SEC.								OFF
	10 SHOTS/SEC.								ON

REVISIONS			
LTR	DESCRIPTION	DATE	APPROVED



☆ ⇒ FLAT PACKAGE
 ▨ ⇒ NO MOUNT

一般公差 (±)		THIRD ANGLE PROJECTION		DRAWN	
特殊寸法	1級 2級 3級 4級 5級	UNLESS OTHERWISE SPECIFIED DIMENSIONS ARE IN MILLIMETRES TOLERANCES		6. 2. '89	
5 ~ 7	0.1 0.1 0.2 0.3 0.5	GENERAL HOLE DIA ANGLES ± -		DESIGN <i>F. Kaneko</i>	
5 ~ 15	0.1 0.2 0.3 0.5 0.8	MATERIAL		CHECK <i>K. Morita</i>	
15 ~ 50	0.2 0.3 0.5 0.8 1.2	FINISH		APPROVED	
50 ~ 100	0.3 0.5 0.8 1.2 1.8	DO NOT SCALE DRAWING		APPROVED	
100 ~ 250	0.5 0.8 1.2 1.8 3.0	DRAWING NAME		CPU PCB ASSY - TAMCC -	
250 ~ 500	0.8 1.2 1.8 3.0 5.0	DRAWING NO.		K1100448A	
500 ~ 1500	1.2 1.8 3.0 5.0 8.0	SCALE		RELEASE DATE	
角度公差	20' 40' 1'30' 3'	SHEET		1 / 2	

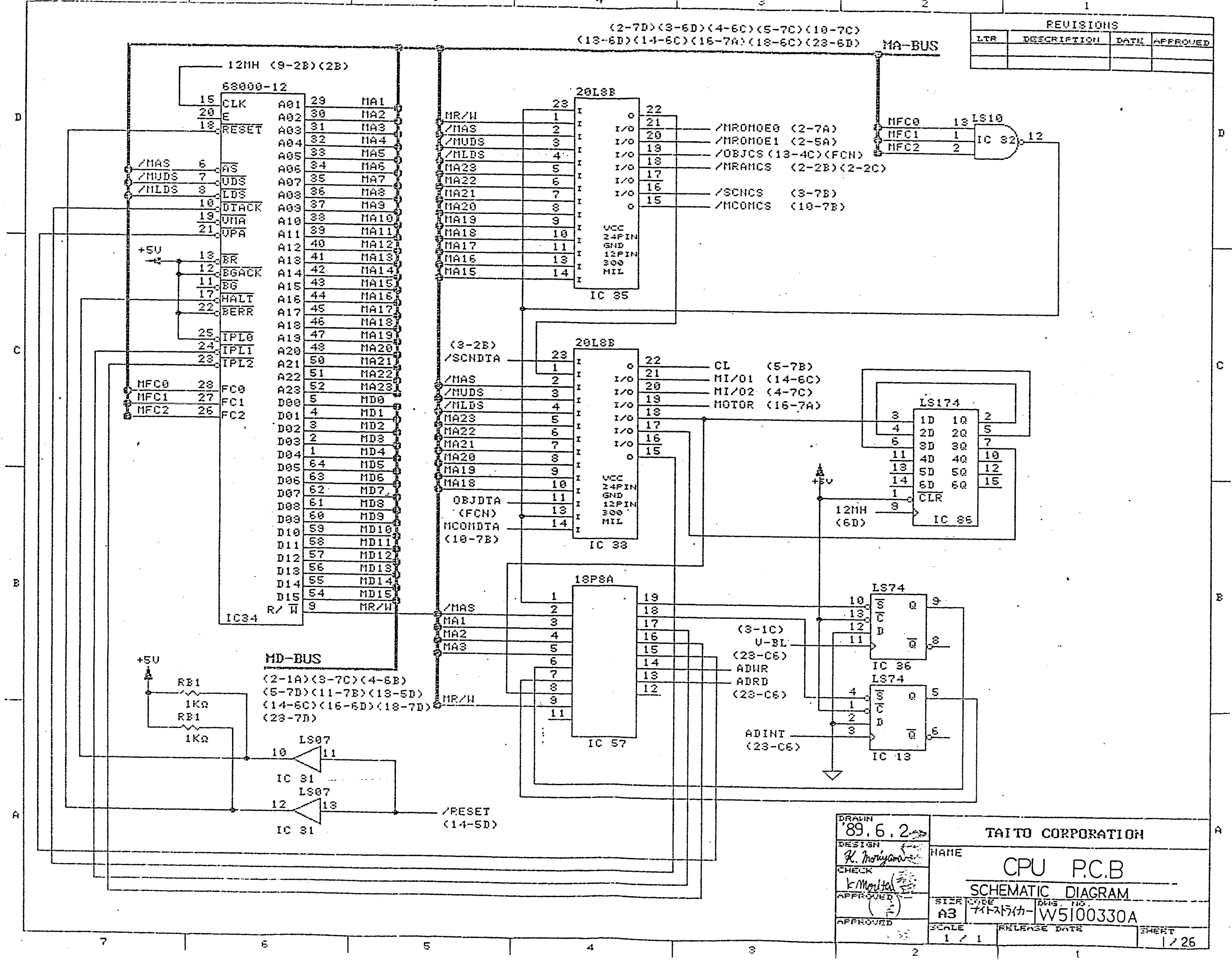
F
E
D
C
B
A

360

300

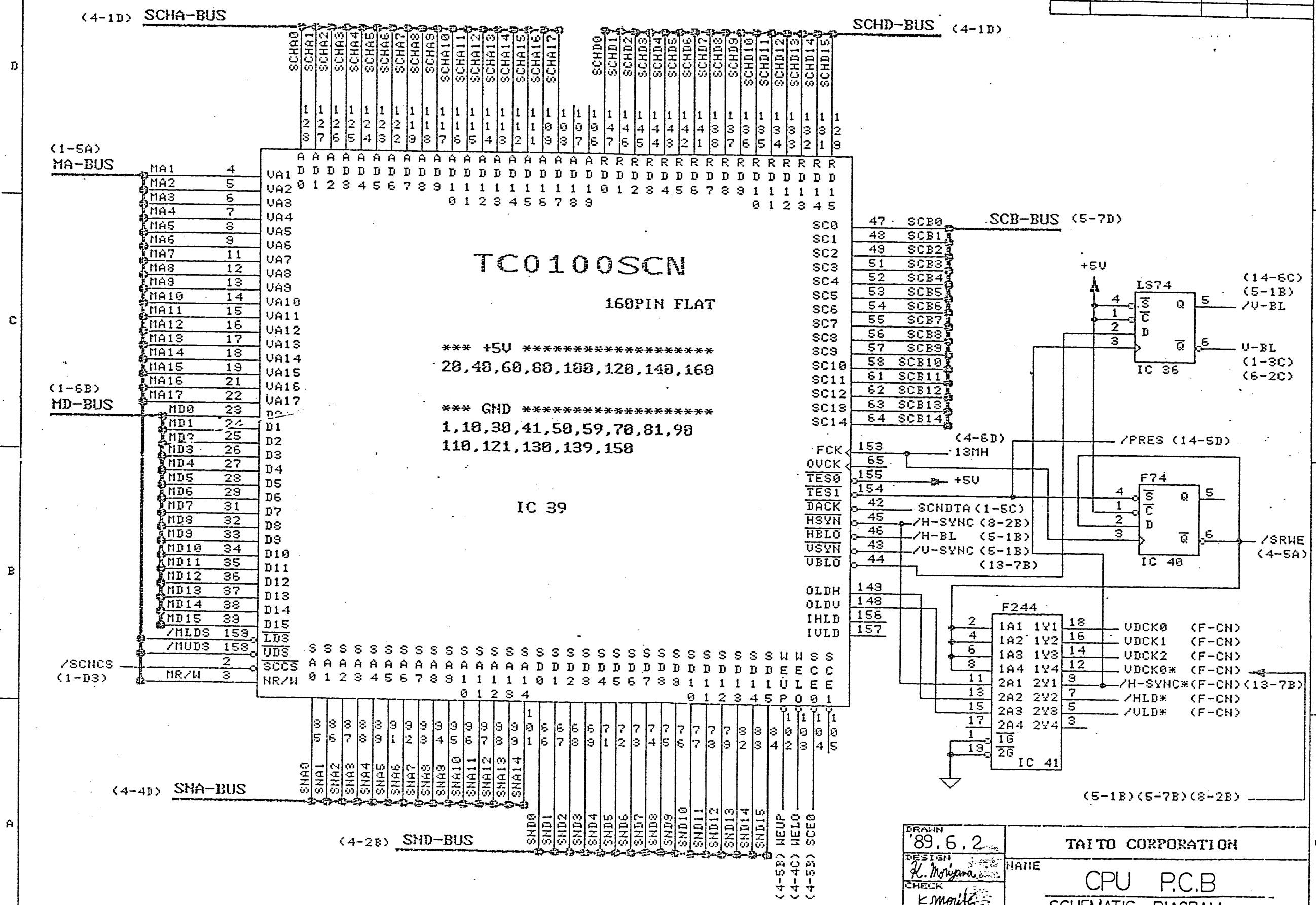
TAITO CORPORATION
 CPU PCB
 MADE IN JAPAN

REVISIONS			
LTR	DESCRIPTION	DATE	APPROVED



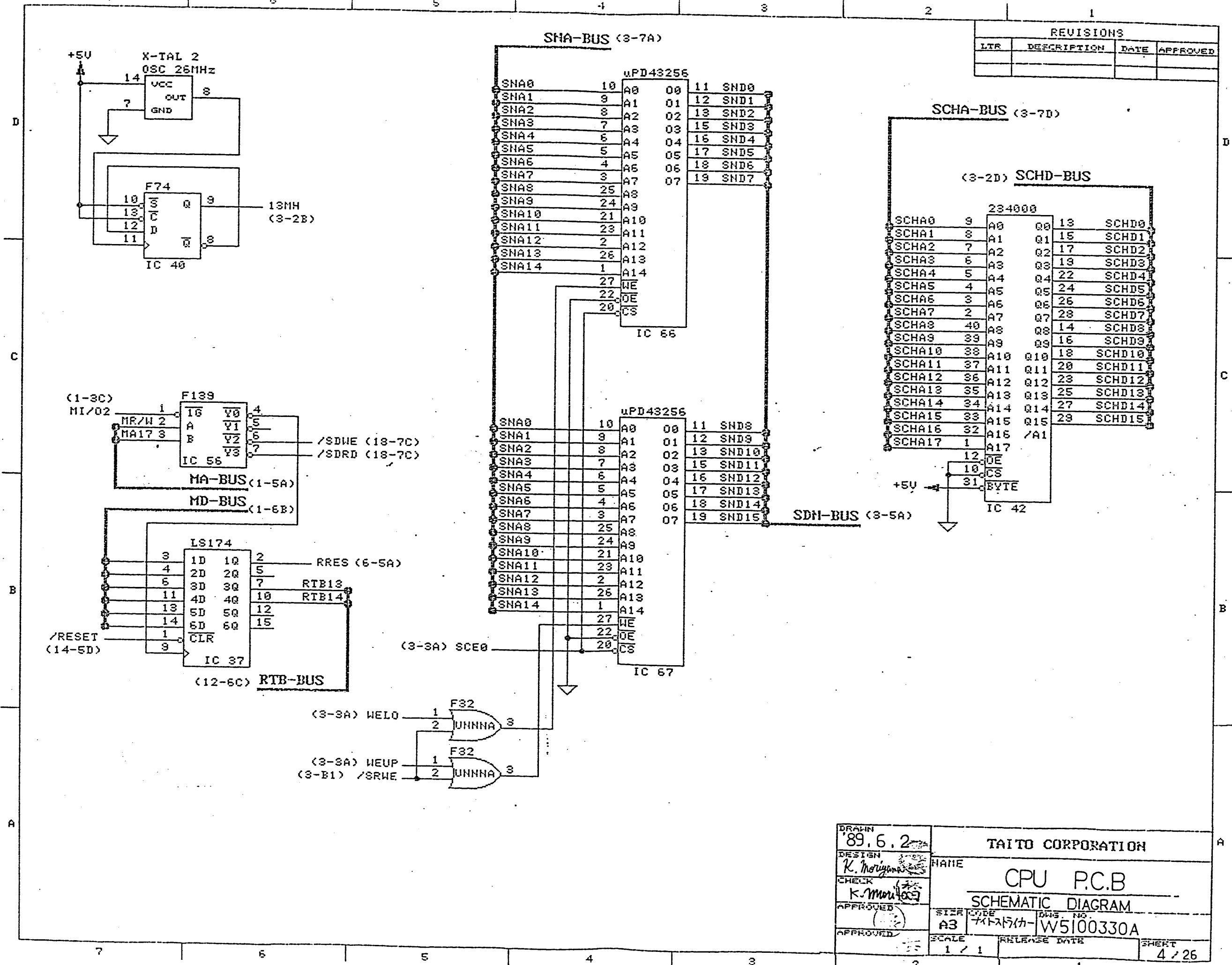
DRAWN '89.6.2 DESIGN K. Moriyama CHECK K. Moriyama APPROVED APPROVED	TAITO CORPORATION NAME CPU P.C.B SCHEMATIC DIAGRAM SIZE A3 SCALE 1/1 SHEET 1/26
---	---

REVISIONS			
LTR	DESCRIPTION	DATE	APPROVED



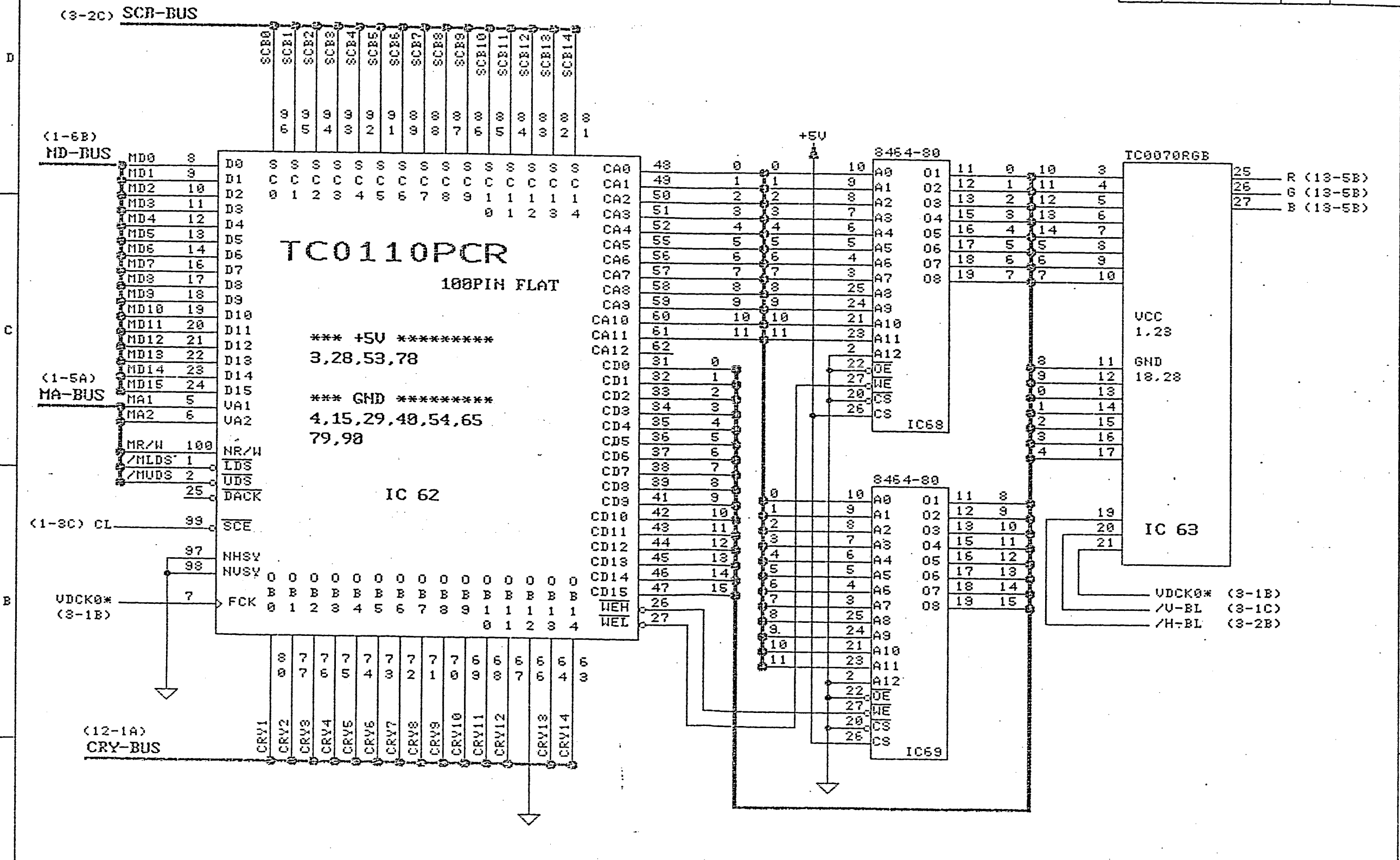
DRAWN 89.6.2 DESIGN K. Moriyama CHECK K. Moriyama APPROVED APPROVED	TAITO CORPORATION NAME CPU P.C.B SCHEMATIC DIAGRAM SIZE CODE A3 DWS. NO. 7-1-1774-W5100330A SCALE 1/1 RELEASE DATE SHEET 3/26
--	---

REVISIONS			
LTR	DESCRIPTION	DATE	APPROVED

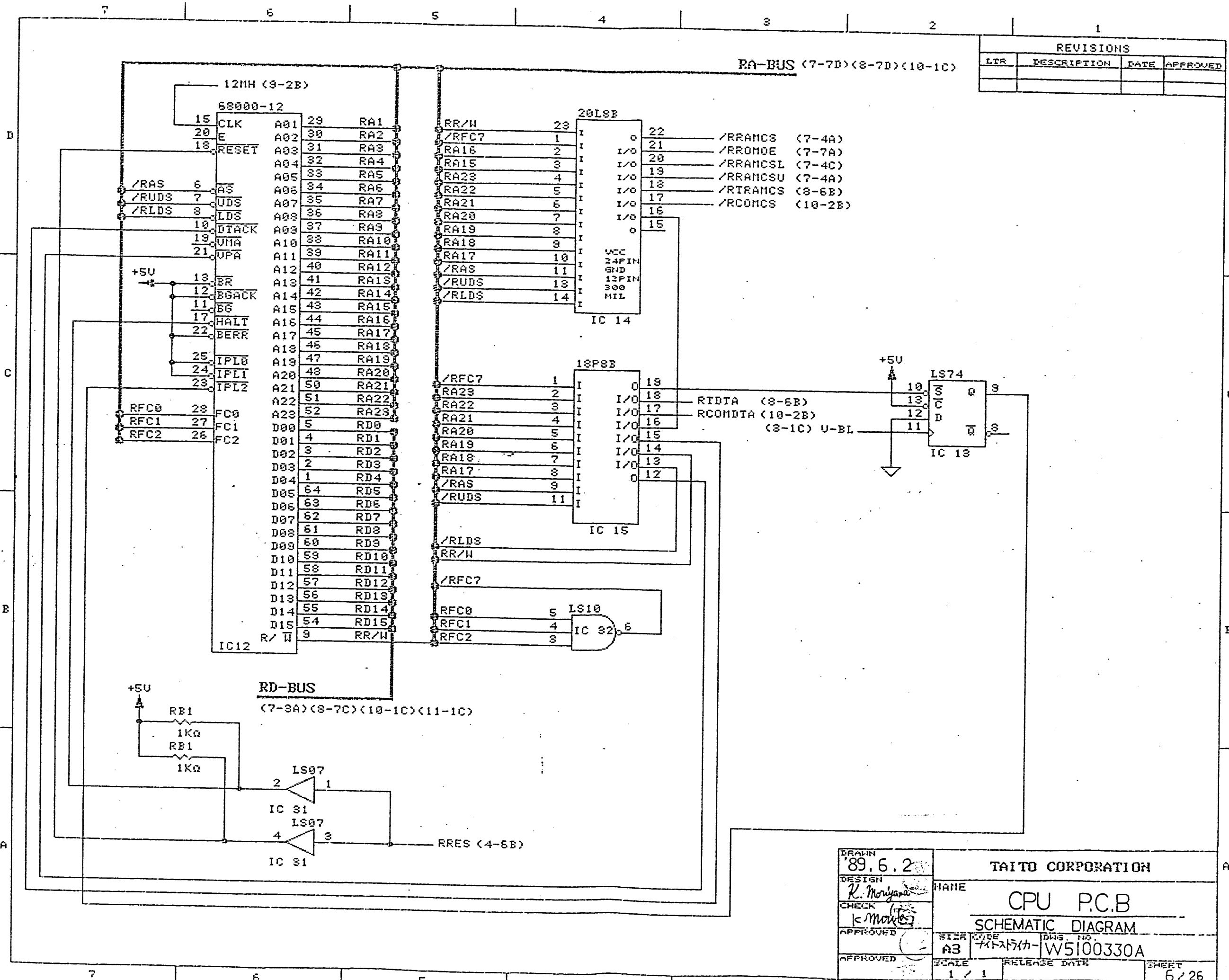


DRAWN '89.6.2		TAITO CORPORATION	
DESIGN K. Moriyama		NAME CPU P.C.B	
CHECK K. Moriyama		SCHEMATIC DIAGRAM	
APPROVED	SIZE CODE A3	DWG. NO. 71-2171-1	W5100330A
APPROVED	SCALE 1/1	RELEASE DATE	SHEET 4/26

REVISIONS			
LT#	DESCRIPTION	DATE	APPROVED



DRAWN '89.6.2		TAITO CORPORATION	
DESIGN R. Moriyama	CHECK K. Moriyama	NAME CPU P.C.B	
APPROVED	APPROVED	SIZE CODE A3	DIS. NO. W5100330A
APPROVED	APPROVED	SCALE 1/1	RELEASE DATE
			SHEET 5/26



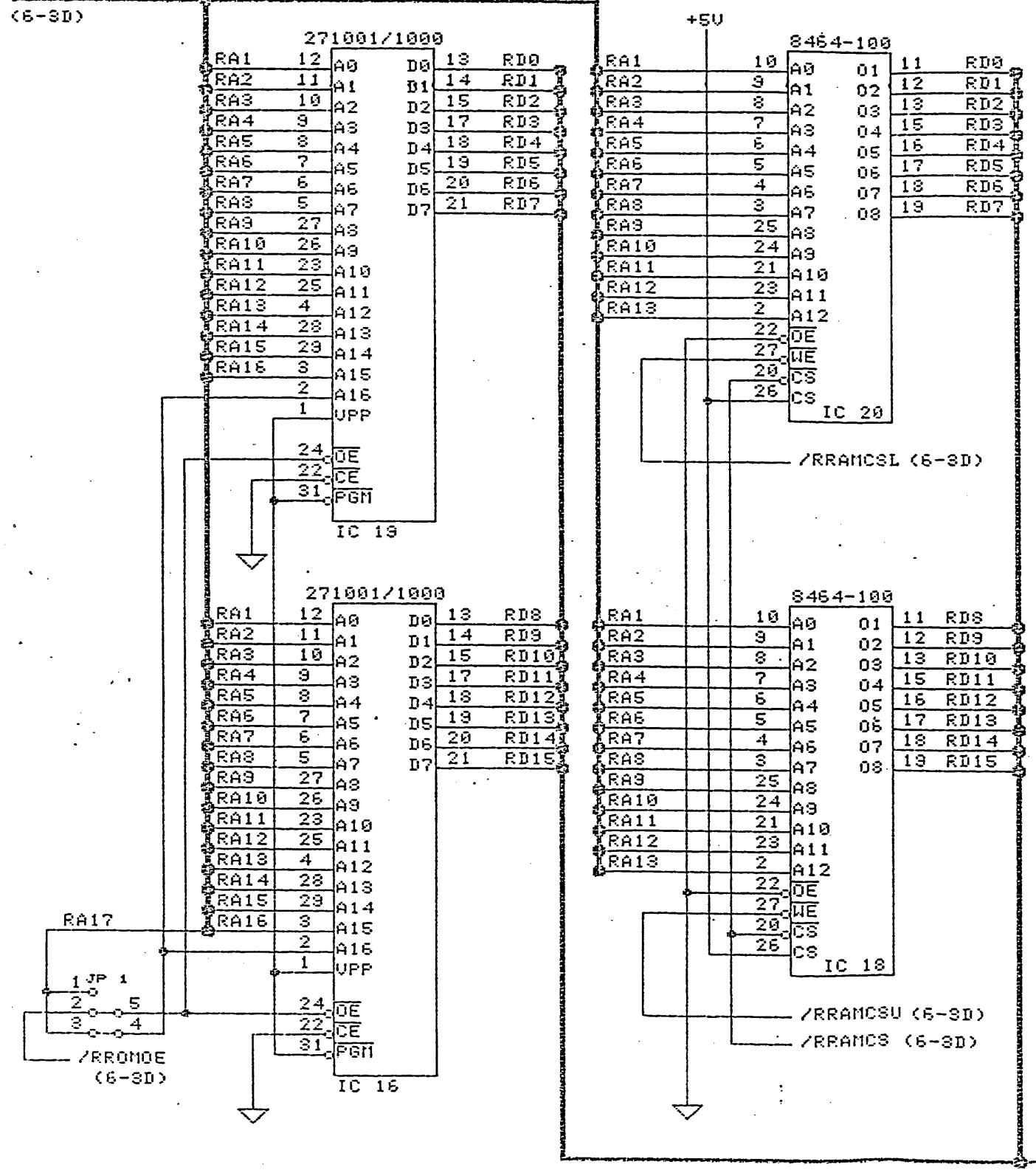
REVISIONS			
LTR	DESCRIPTION	DATE	APPROVED

DRAWN '89.6.2 DESIGN K. Moriyama CHECK K. Moriyama APPROVED APPROVED	TAITO CORPORATION NAME CPU P.C.B SCHEMATIC DIAGRAM SIZE CODE A3 711-711カ DWS. NO. W5100330A SCALE 1/1 RELEASE DATE SHEET 6/26
---	--

RA-BUS
(6-3D)

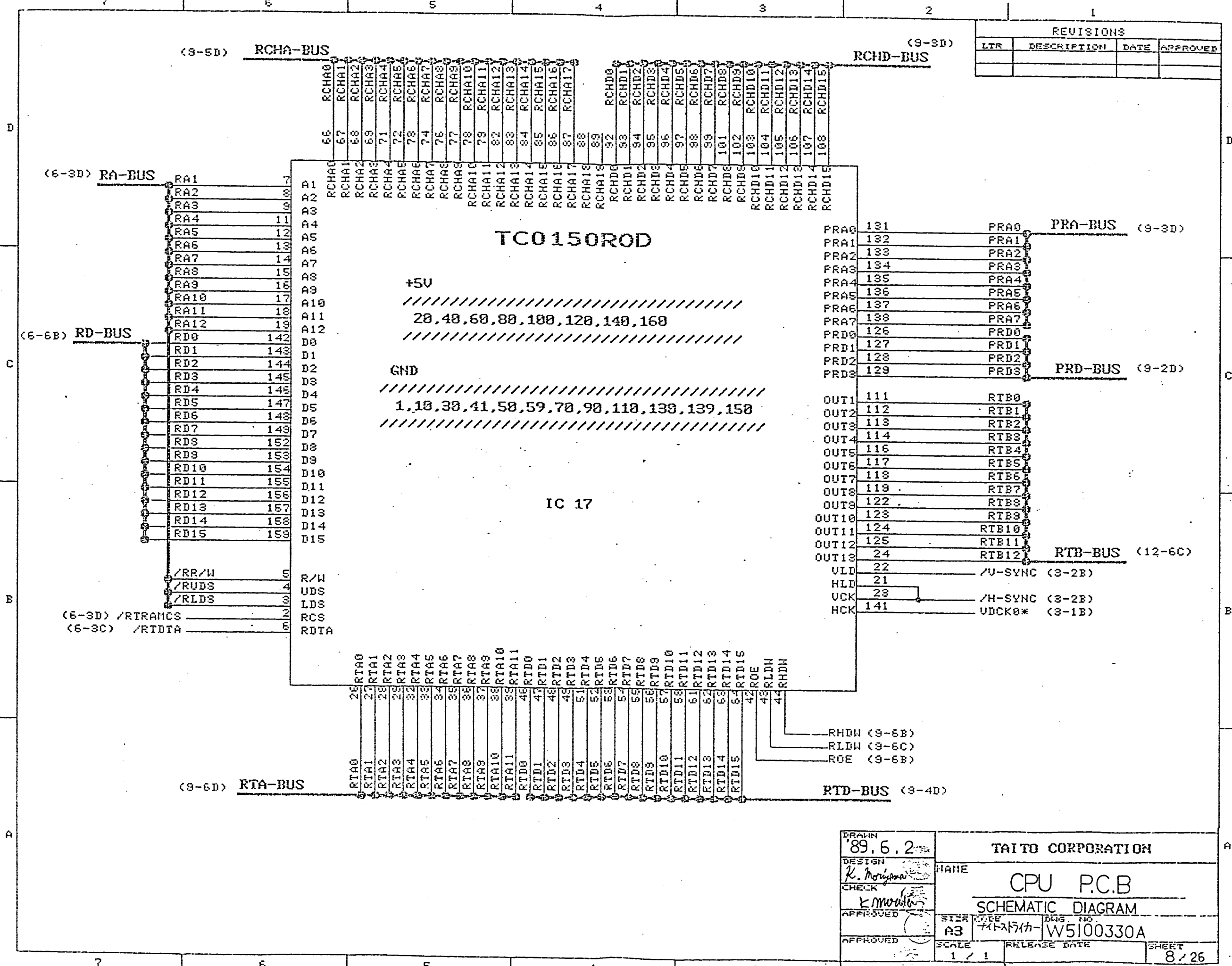
REVISIONS			
LTR	DESCRIPTION	DATE	APPROVED

D
C
B
A



RD-BUS (6-6B)

DRAWN 89.6.2	TAITO CORPORATION		
DESIGN K. Moriyama	NAME	CPU P.C.B	
CHECK K. Moriyama	SCHEMATIC DIAGRAM		
APPROVED	SIZE CODE A3	DWG. NO. 7412154-W5100330A	
APPROVED	SCALE 1/1	RELEASE DATE	SHEET 7/26

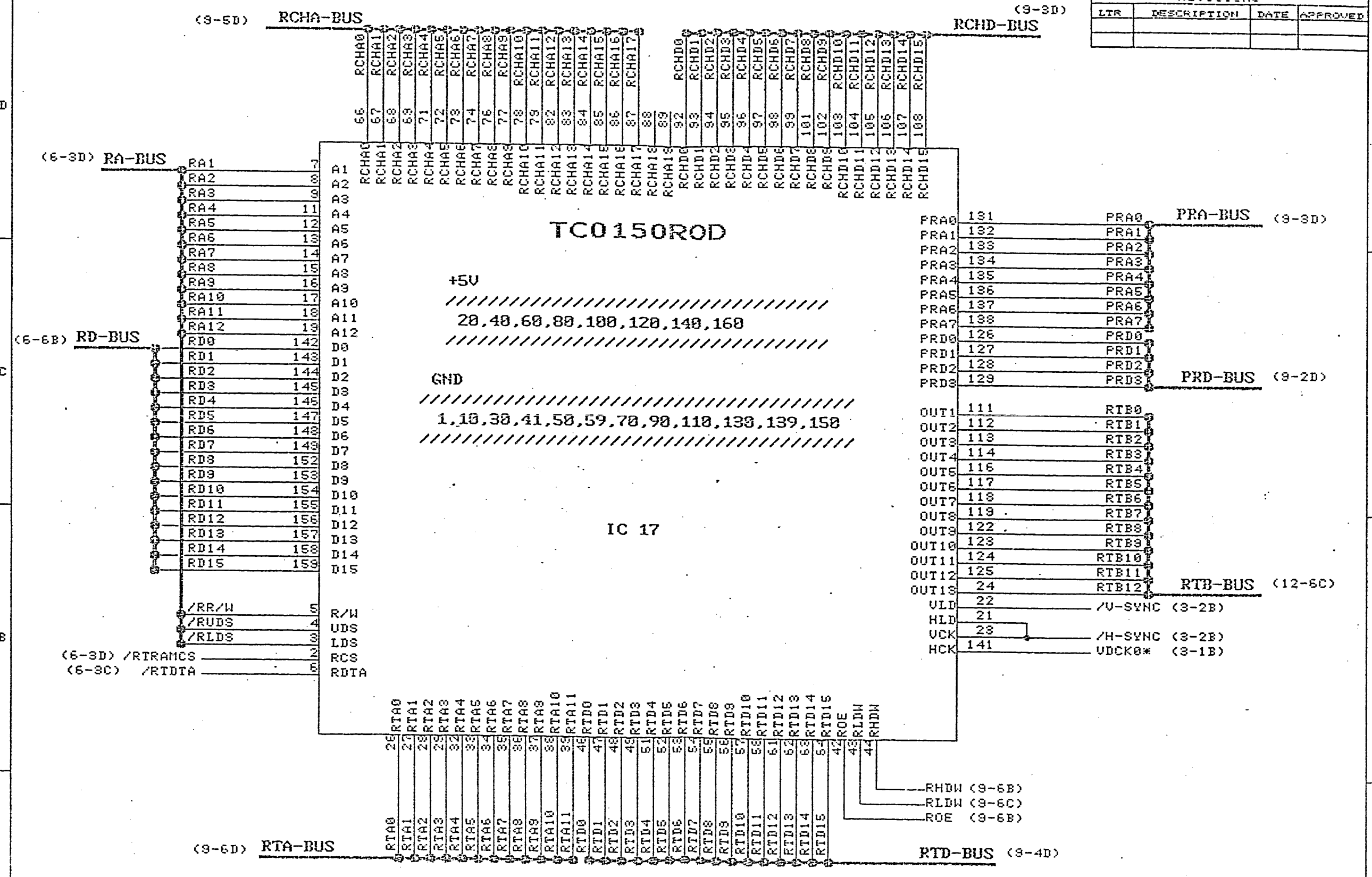


REVISIONS			
LTR	DESCRIPTION	DATE	APPROVED

TC0150ROD

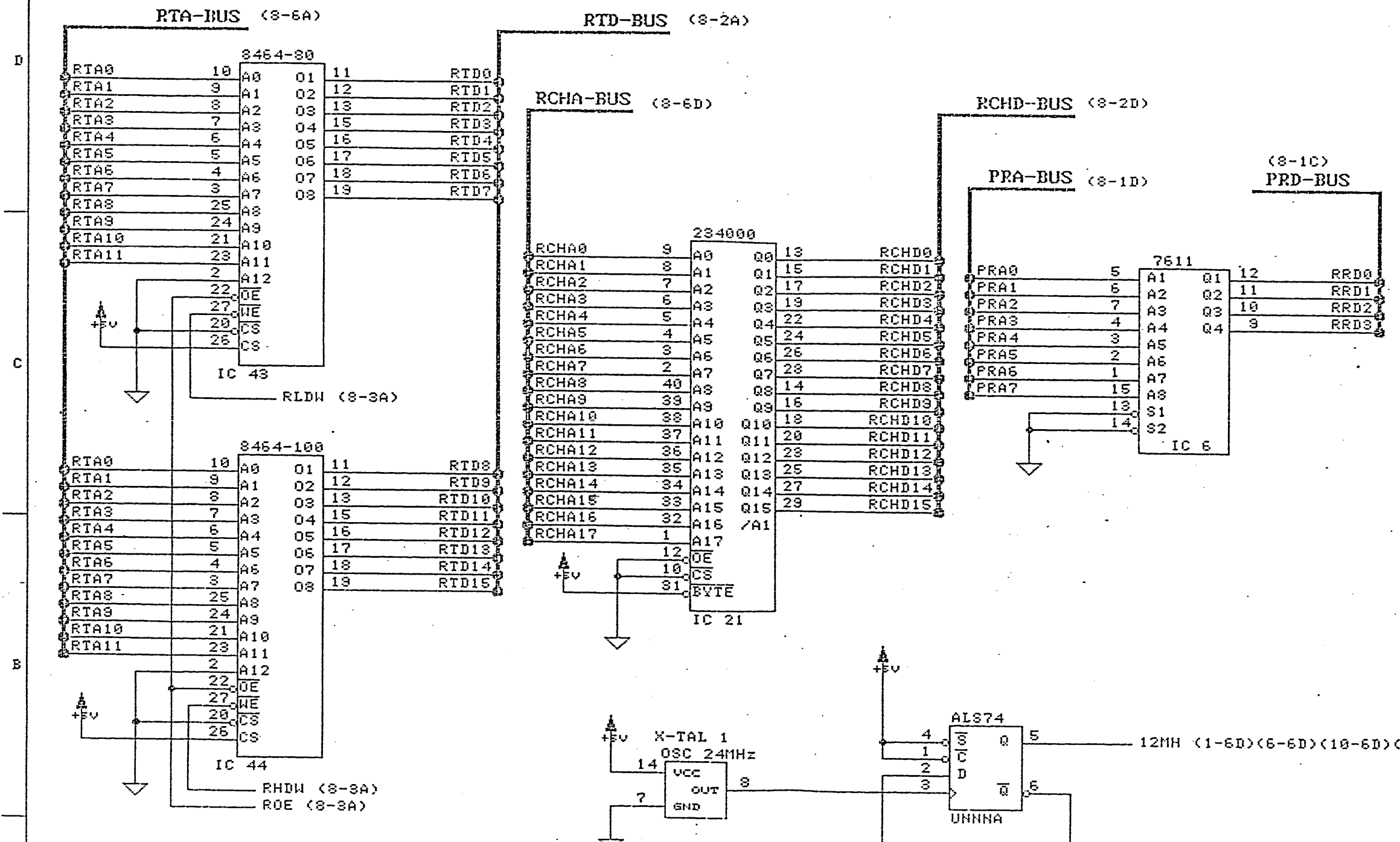
IC 17

+5V
 ///////////////////////////////////
 20, 40, 60, 80, 100, 120, 140, 160
 ///////////////////////////////////
 GND
 ///////////////////////////////////
 1, 10, 30, 41, 50, 59, 70, 90, 110, 130, 139, 150
 ///////////////////////////////////



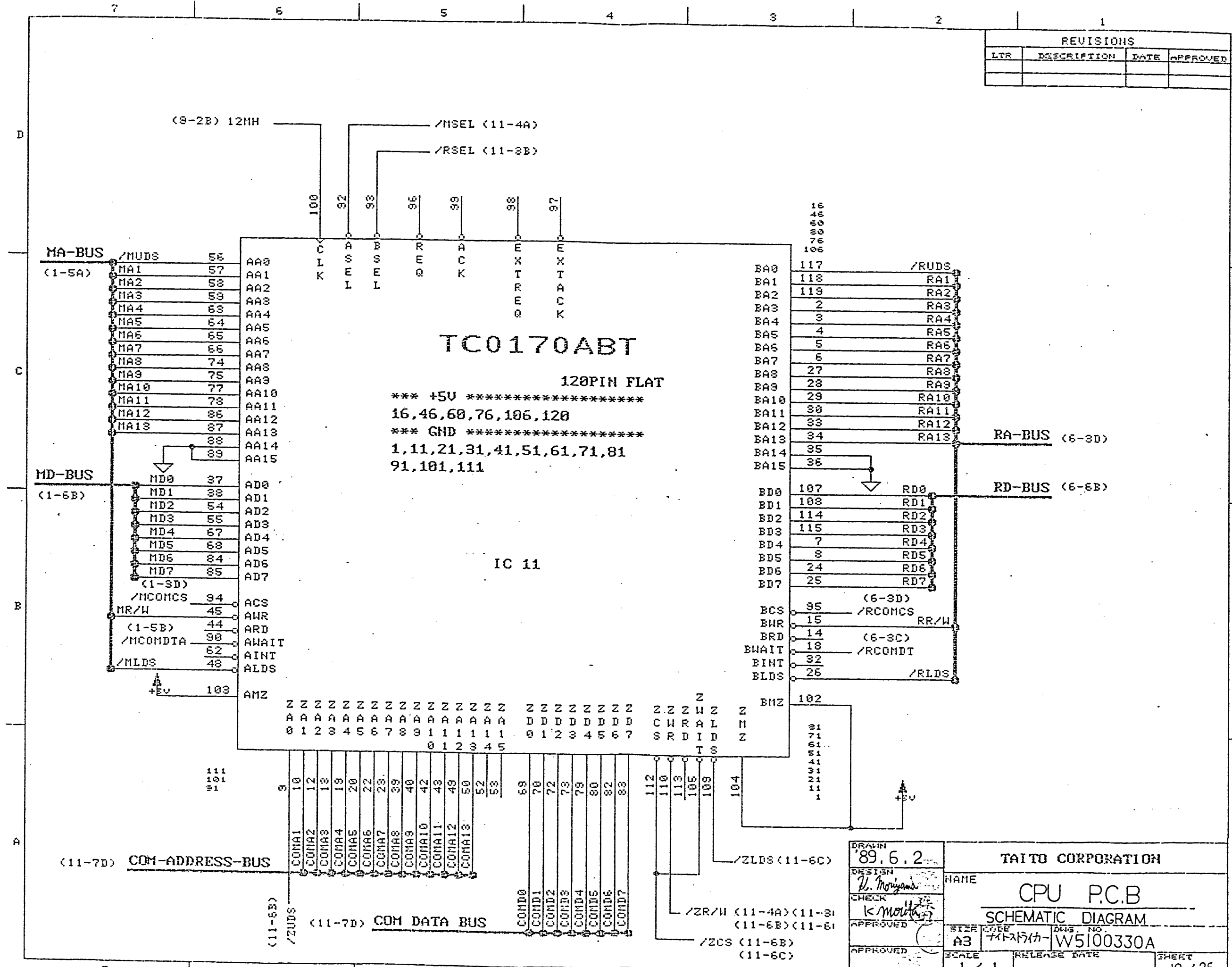
DRAWN '89.6.2 DESIGN K. Moriyama CHECK K. Moriyama APPROVED APPROVED	TAITO CORPORATION NAME CPU P.C.B SCHEMATIC DIAGRAM SIZE CODE A3 741A71カ DWS. NO. W5100330A SCALE 1/1 RELEASE DATE SHEET 8/26
---	---

REVISIONS			
LTR	DESCRIPTION	DATE	APPROVED



DRAWN '89.6.2 DESIGN <i>K. Miyama</i> CHECK <i>K. Maeda</i> APPROVED APPROVED	TAITO CORPORATION NAME CPU P.C.B SCHEMATIC DIAGRAM SIZE CODE A3 SCALE 1 / 1	QWS. NO. W5100330A RELEASE DATE SHEET 9 / 26
--	--	--

REVISIONS			
LTR	DESCRIPTION	DATE	APPROVED



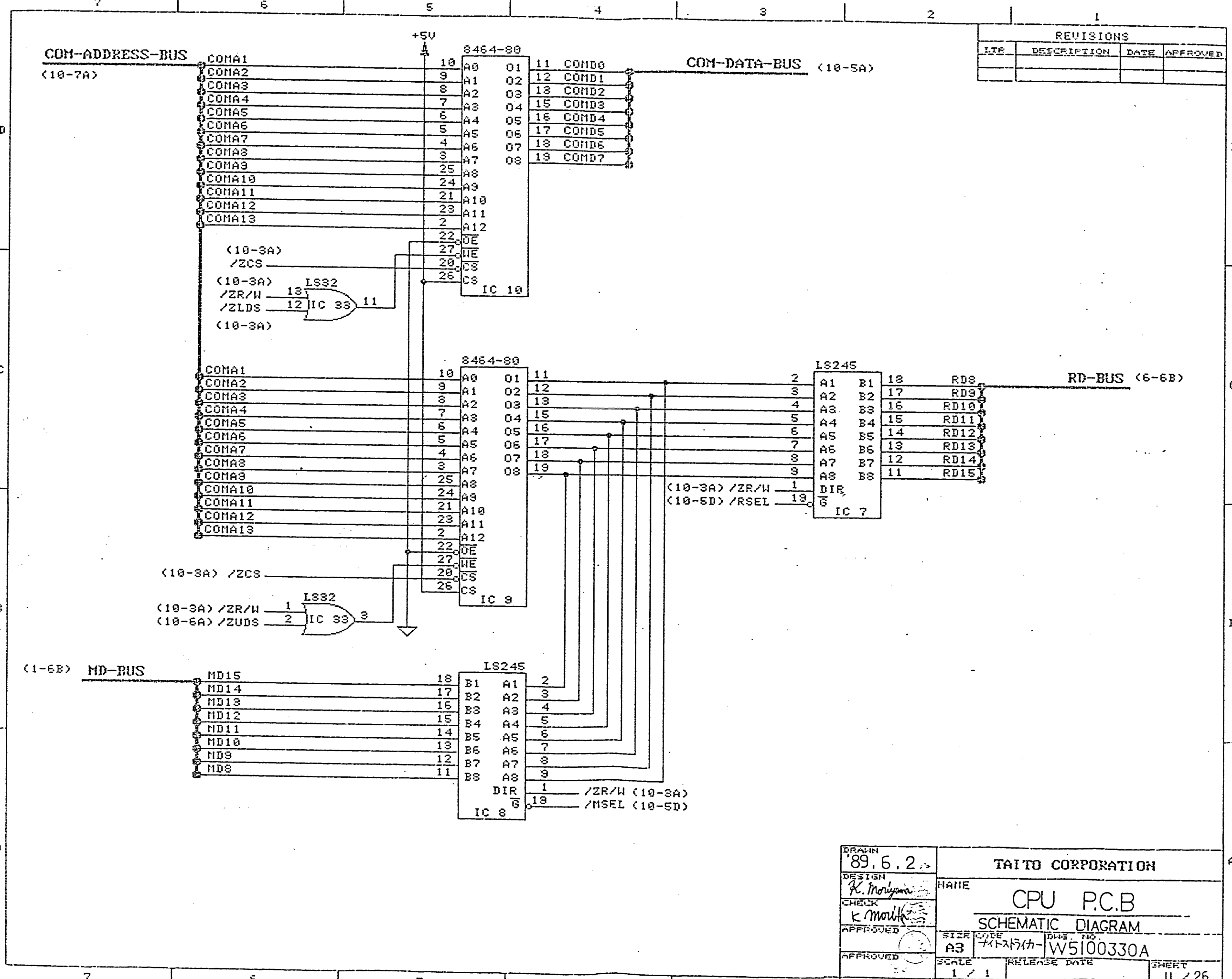
TC0170ABT
 120PIN FLAT
 *** +5V *****
 16, 46, 60, 76, 106, 120
 *** GND *****
 1, 11, 21, 31, 41, 51, 61, 71, 81
 91, 101, 111

- MA-BUS (1-5A)**
- /MUDS 56
 - MA1 57
 - MA2 58
 - MA3 59
 - MA4 63
 - MA5 64
 - MA6 65
 - MA7 66
 - MA8 74
 - MA9 75
 - MA10 77
 - MA11 78
 - MA12 86
 - MA13 87
 - 88
 - 89
- MD-BUS (1-6B)**
- MD0 37
 - MD1 38
 - MD2 54
 - MD3 55
 - MD4 67
 - MD5 68
 - MD6 84
 - MD7 85
- (1-3D)**
- /MCONCS 94
 - MR/W 45
 - (1-5B) 44
 - /MCONDTA 90
 - 62
 - /MLDS 48
 - +5V 103

- EA0 117
 - EA1 118
 - EA2 119
 - EA3 2
 - EA4 3
 - EA5 4
 - EA6 5
 - EA7 6
 - EA8 27
 - EA9 28
 - EA10 29
 - EA11 30
 - EA12 33
 - EA13 34
 - EA14 35
 - EA15 36
- RD-BUS (6-6B)**
- RD0
 - RD1
 - RD2
 - RD3
 - RD4
 - RD5
 - RD6
 - RD7
- (6-3D)**
- BCS 95
 - BWR 15
 - BRD 14
 - BWAIT 18
 - BINT 32
 - BLDS 25

- COM-ADDRESS-BUS (11-7D)**
- COMA1 9
 - COMA2 10
 - COMA3 12
 - COMA4 13
 - COMA5 19
 - COMA6 20
 - COMA7 22
 - COMA8 23
 - COMA9 39
 - COMA10 40
 - COMA11 42
 - COMA12 48
 - COMA13 49
 - 50
 - 52
 - 53
- COM DATA BUS (11-7D)**
- COND0 69
 - COND1 70
 - COND2 72
 - COND3 73
 - COND4 79
 - COND5 80
 - COND6 82
 - COND7 83

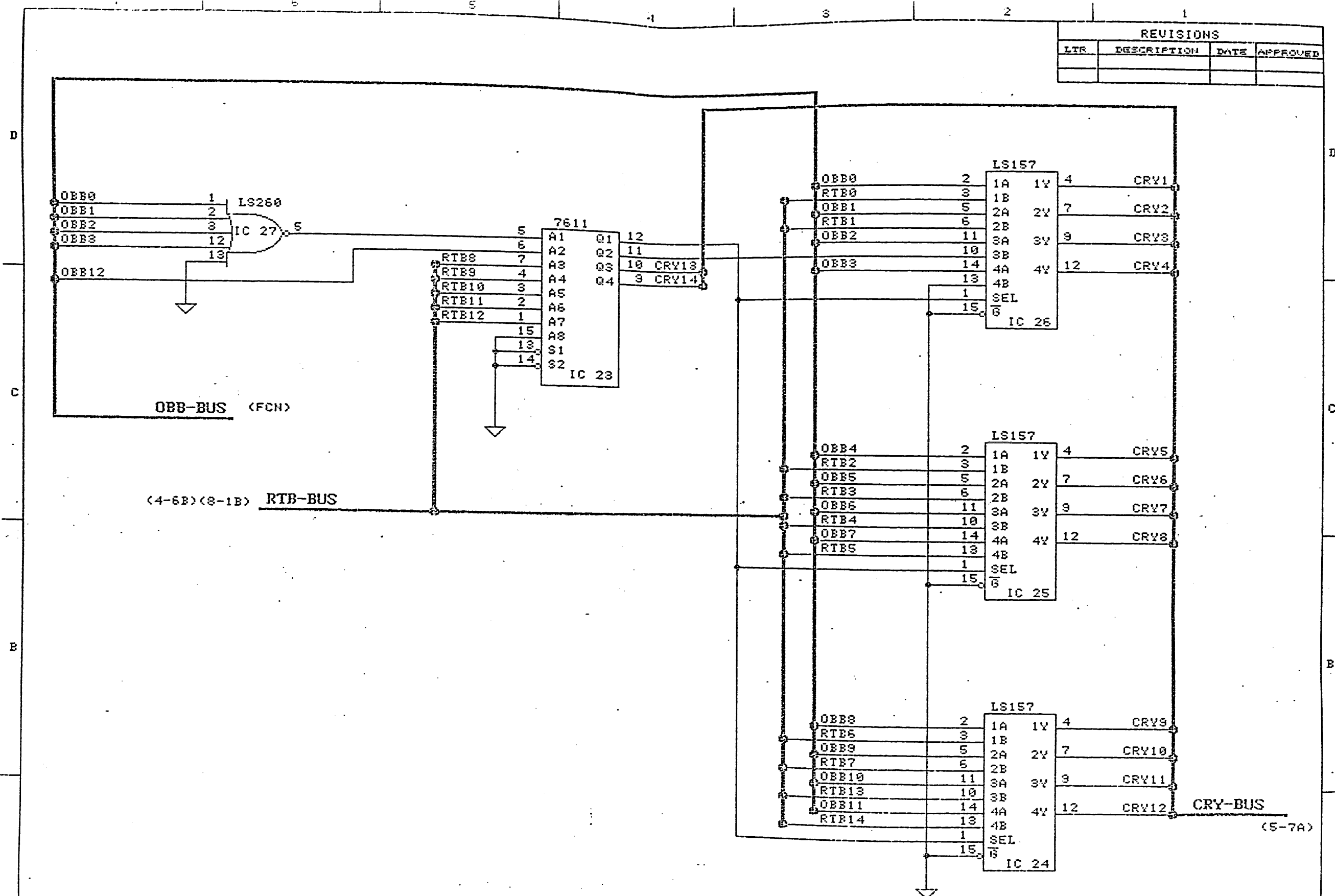
DESIGN U. Moriyama	NAME CPU P.C.B
CHECK K. Moltis	SCHEMATIC DIAGRAM
APPROVED	SIZE CODE A3
APPROVED	SCALE 1 / 1
TAITO CORPORATION	DIS. NO. W5100330A
89.6.2	RELEASE DATE
	SHEET 10 / 26



REVISIONS			
ITE	DESCRIPTION	DATE	APPROVED

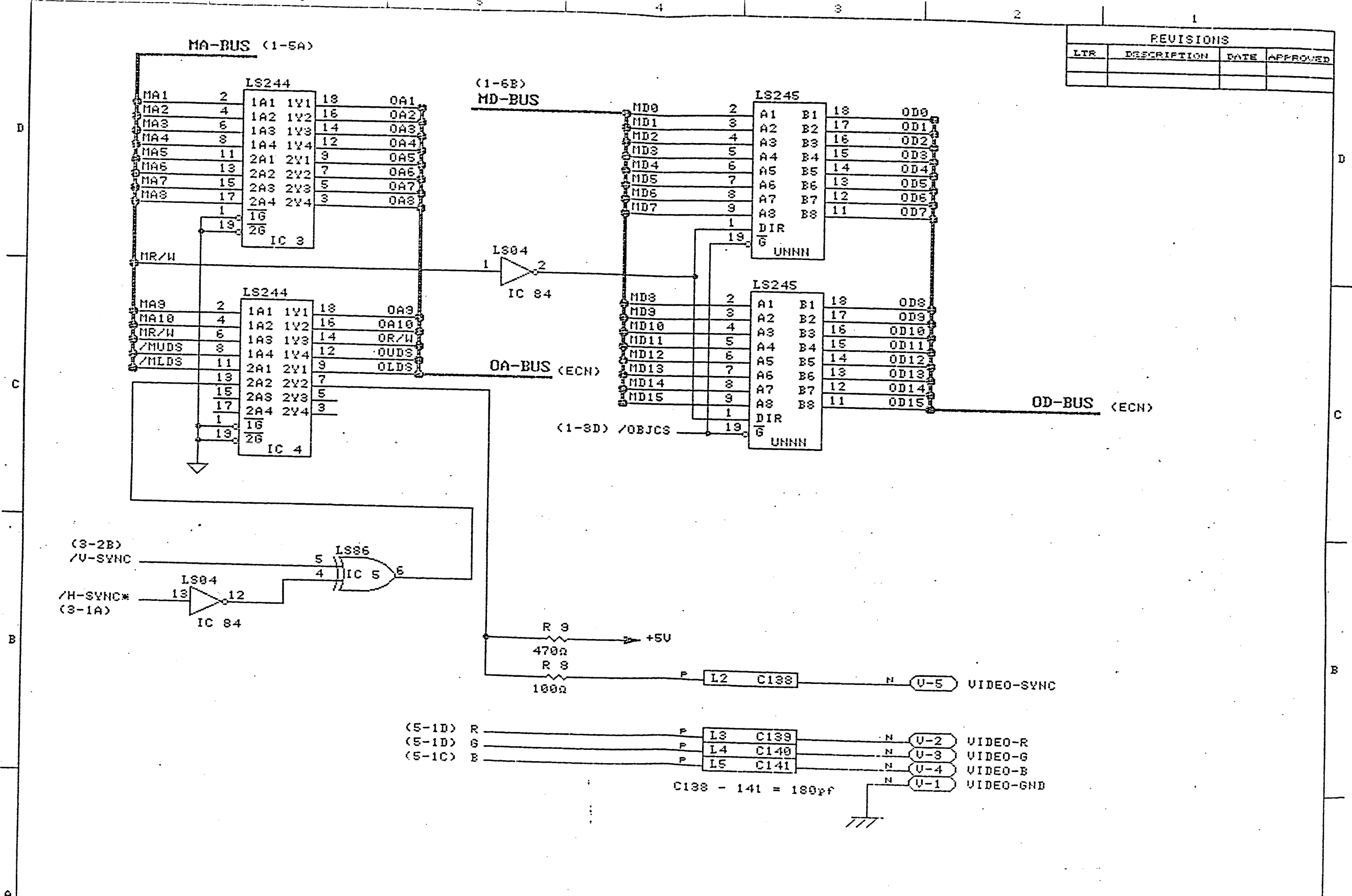
DRAWN '89.6.2 DESIGN <i>K. Moriyama</i> CHECK <i>K. Moriyama</i> APPROVED APPROVED	TAITO CORPORATION NAME CPU P.C.B SCHEMATIC DIAGRAM SIZE A3 1 / 1	DWS. NO. W5100330A RELEASE DATE SHEET 11 / 26
---	---	---

REVISIONS			
LTR	DESCRIPTION	DATE	APPROVED



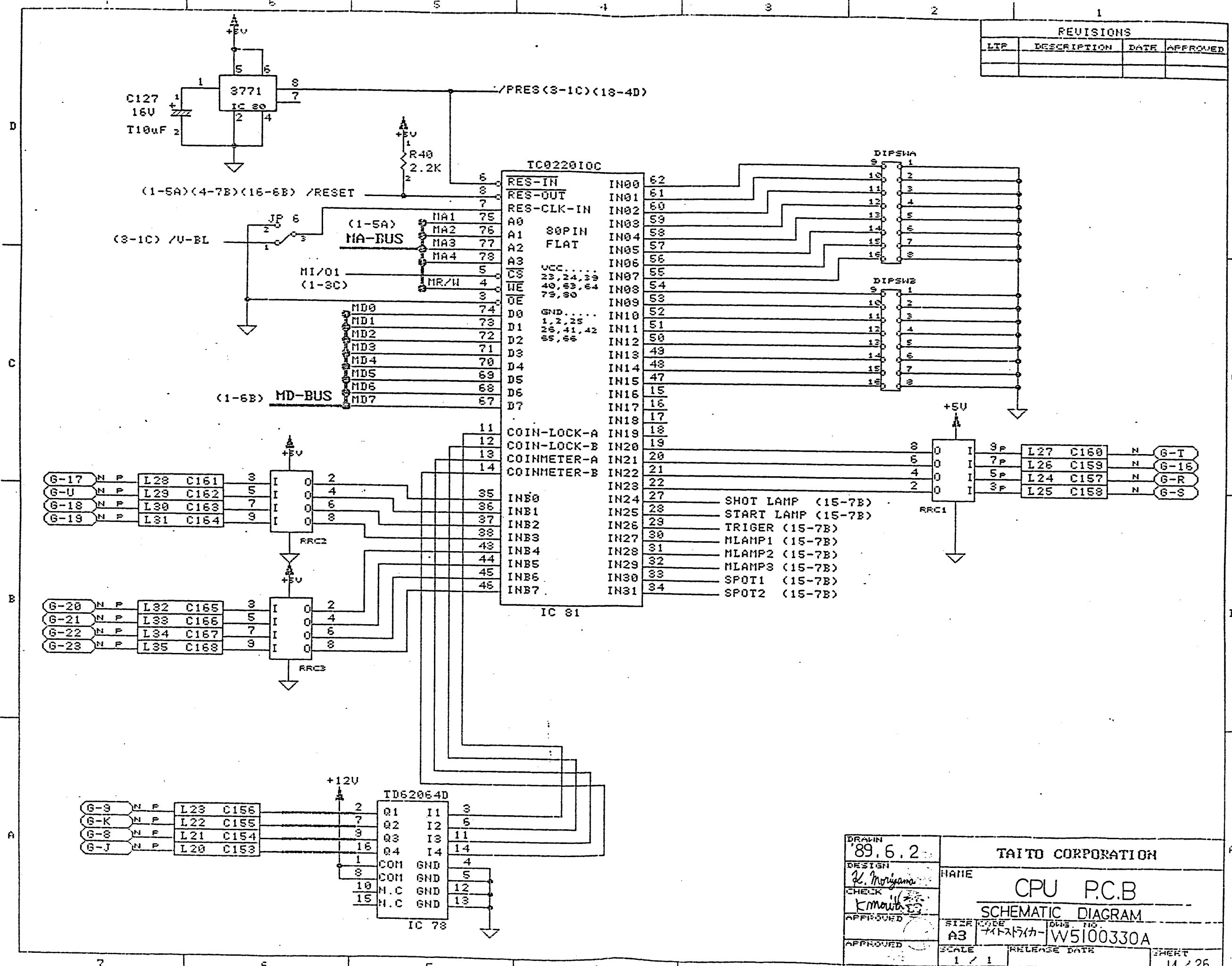
DRAWN '89.6.2 DESIGN <i>K. Moriyama</i> CHECK <i>K. Moriyama</i> APPROVED APPROVED	TAITO CORPORATION NAME CPU P.C.B SCHEMATIC DIAGRAM SIZE CODE A3 741-1574- W5100330A SCALE 1 / 1 RELEASE DATE SHEET 12 / 26
---	--

REVISIONS			
LTR	DESCRIPTION	DATE	APPROVED



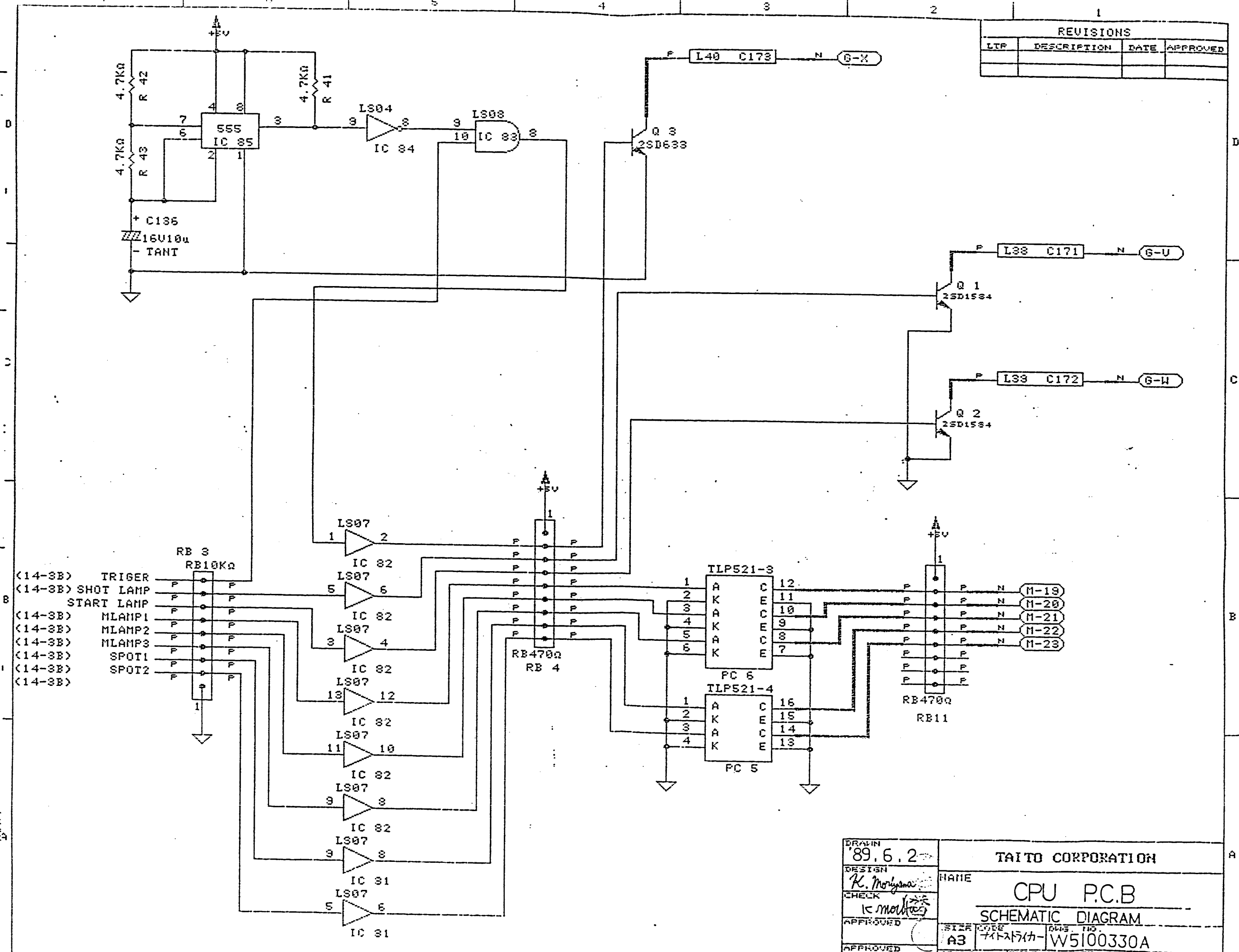
DRAWN '89.6.2 DESIGN <i>K. Moriyama</i> CHECK <i>K. Moriyama</i> APPROVED APPROVED	TAITO CORPORATION NAME CPU P.C.B SCHEMATIC DIAGRAM SIZE CODE A3 SCALE 1 / 1	DWS. NO. W5100330A RELEASE DATE SHEET 13 / 26
---	--	---

REVISIONS			
LTP	DESCRIPTION	DATE	APPROVED



DESIGN DRAWN '89.6.2 U. Moriyama	TAITO CORPORATION
CHECK K. Moriyama	NAME CPU P.C.B
APPROVED	SIZE A3
APPROVED	CODE W5100330A
SCALE 1 / 1	RELEASE DATE
SHEET 14 / 26	

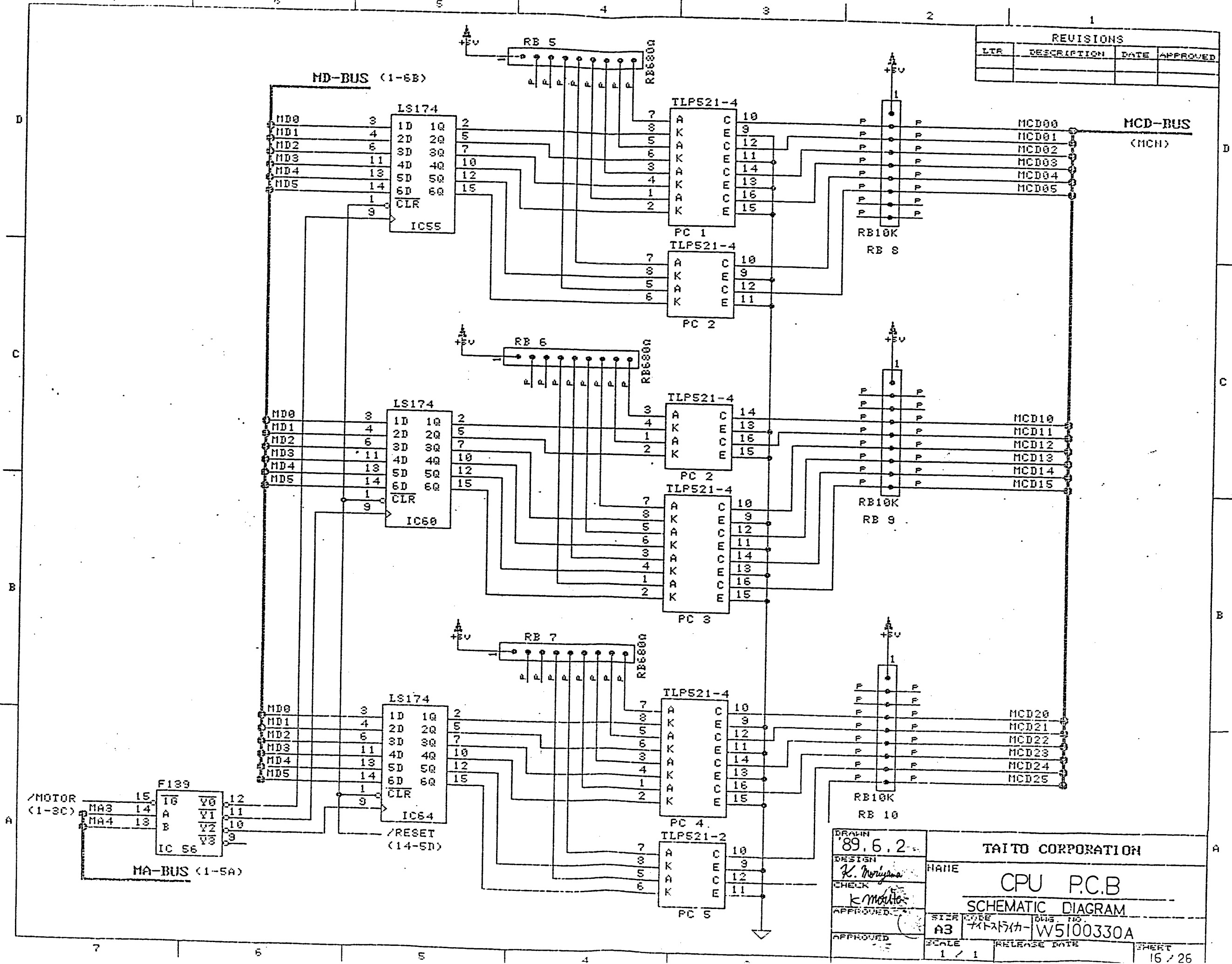
REVISIONS			
LTP	DESCRIPTION	DATE	APPROVED



- (14-3B) TRIGGER
- (14-3B) SHOT LAMP
- (14-3B) START LAMP
- (14-3B) MLAMP1
- (14-3B) MLAMP2
- (14-3B) MLAMP3
- (14-3B) SPOT1
- (14-3B) SPOT2

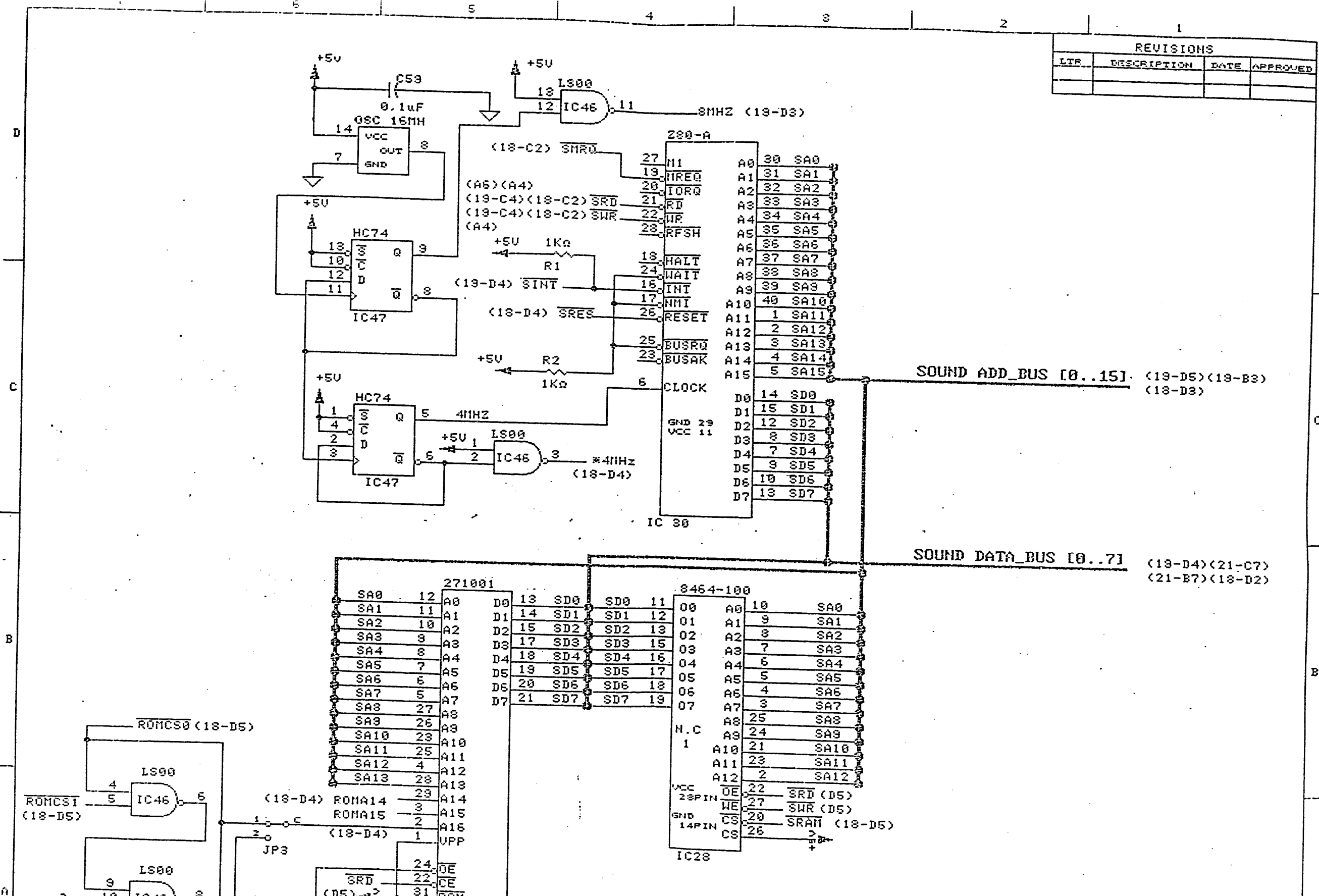
DRAWN '89.6.2 DESIGN <i>K. Moriyama</i> CHECK <i>IC Moriyama</i> APPROVED APPROVED	TAITO CORPORATION NAME CPU P.C.B SCHEMATIC DIAGRAM SIZE A3 SCALE 1/1 SHEET 15 / 26
DIS. NO. W5100330A RELEASE DATE	

REVISIONS			
LT#	DESCRIPTION	DATE	APPROVED

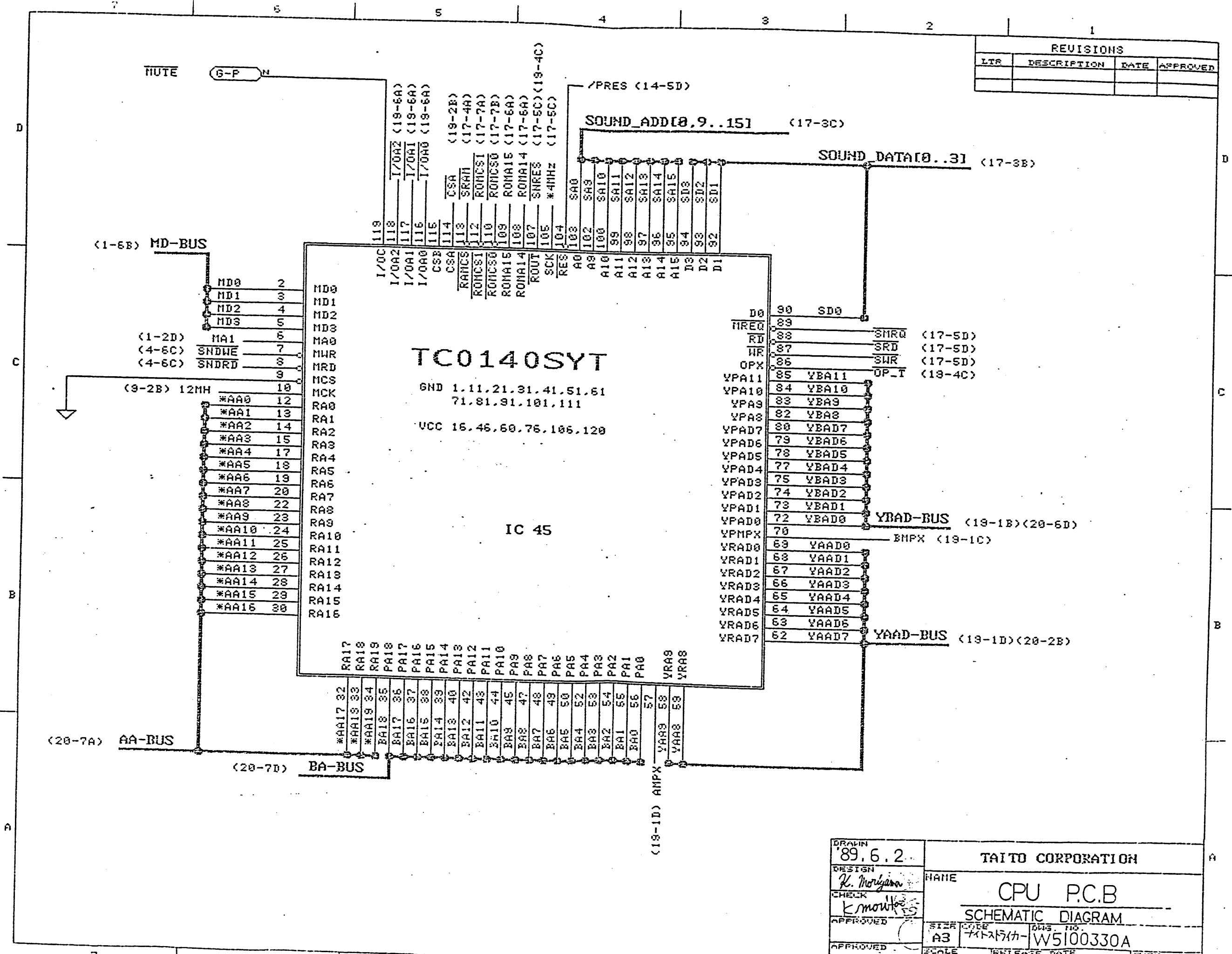


DRAWN 89.6.2 DESIGN <i>K. Moriyama</i> CHECK <i>K. Moriyama</i> APPROVED APPROVED	TAITO CORPORATION NAME CPU P.C.B SCHEMATIC DIAGRAM SIZE CODE A3 SCALE 1 / 1	DES. NO. W5100330A DWS. NO. RELEASE DATE SHEET 16 / 26
--	--	--

REVISIONS			
LTR.	DESCRIPTION	DATE	APPROVED



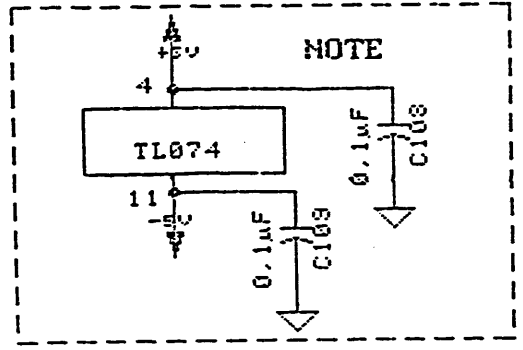
DRAWN '89.6.2	TAITO CORPORATION		
DESIGN <i>K. Moriyama</i>	NAME	CPU P.C.B	
CHECK <i>K. Moriyama</i>	SCHEMATIC DIAGRAM		
APPROVED	SIZE A3	DATE 1989.6.2	DESIGN NO. W5100330A
APPROVED	SCALE 1/1	RELEASE DATE	SHEET 17/26



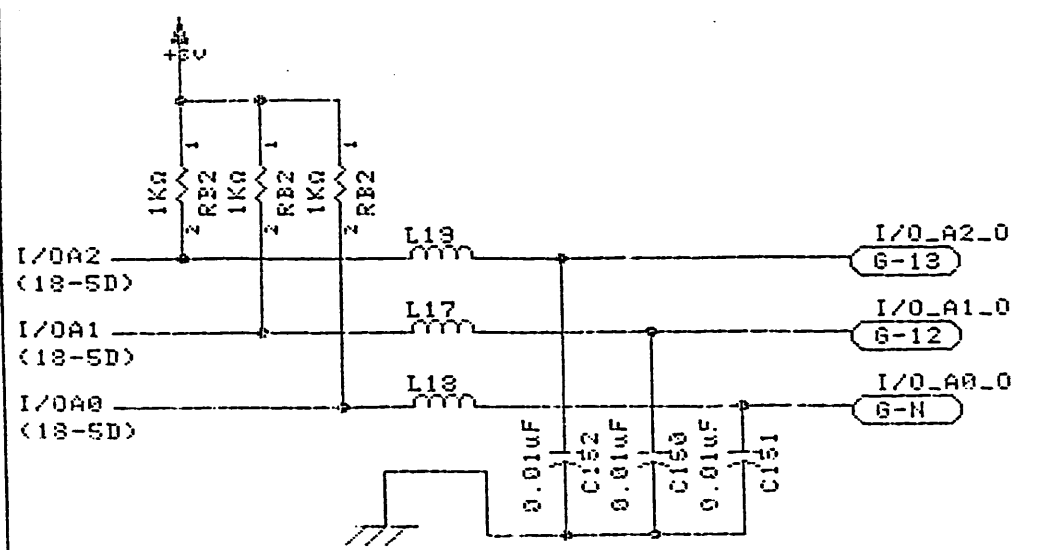
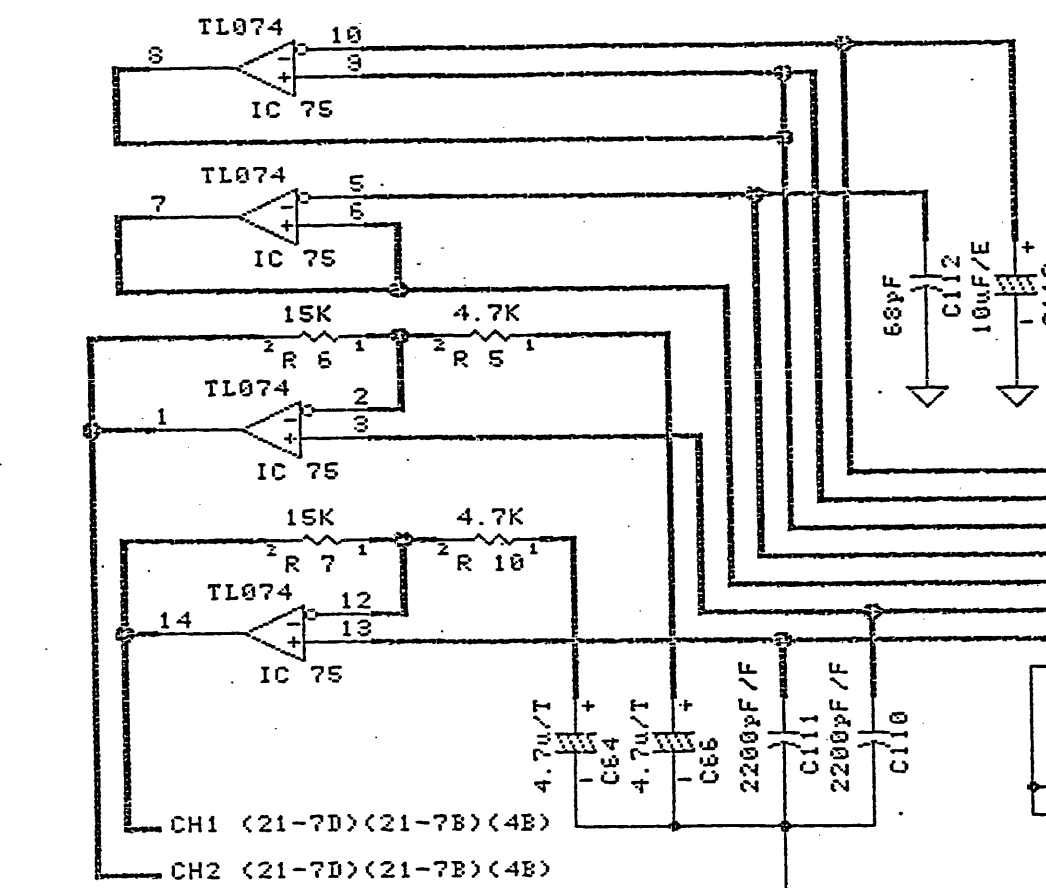
REVISIONS			
LTR	DESCRIPTION	DATE	APPROVED

DRAWN '89.6.2 DESIGN <i>K. Moriyama</i> CHECK <i>K. Moriyama</i> APPROVED APPROVED	TAITO CORPORATION NAME CPU P.C.B SCHEMATIC DIAGRAM SIZE CODE A3 71-1717-1 DWS NO. W5100330A SCALE RELEASE DATE SHEET
---	--

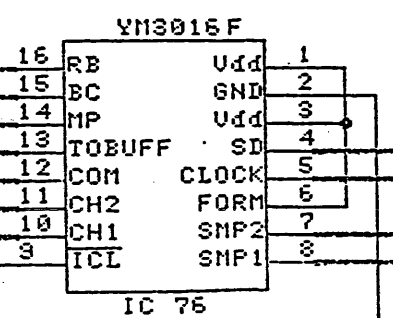
REVISIONS			
LT#	DESCRIPTION	DATE	APPROVED



D
C
B
A



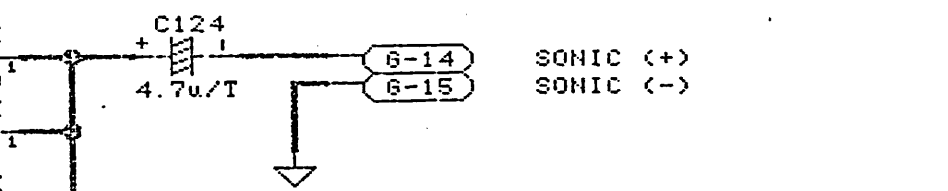
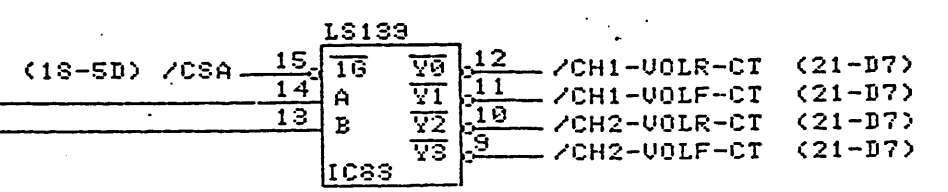
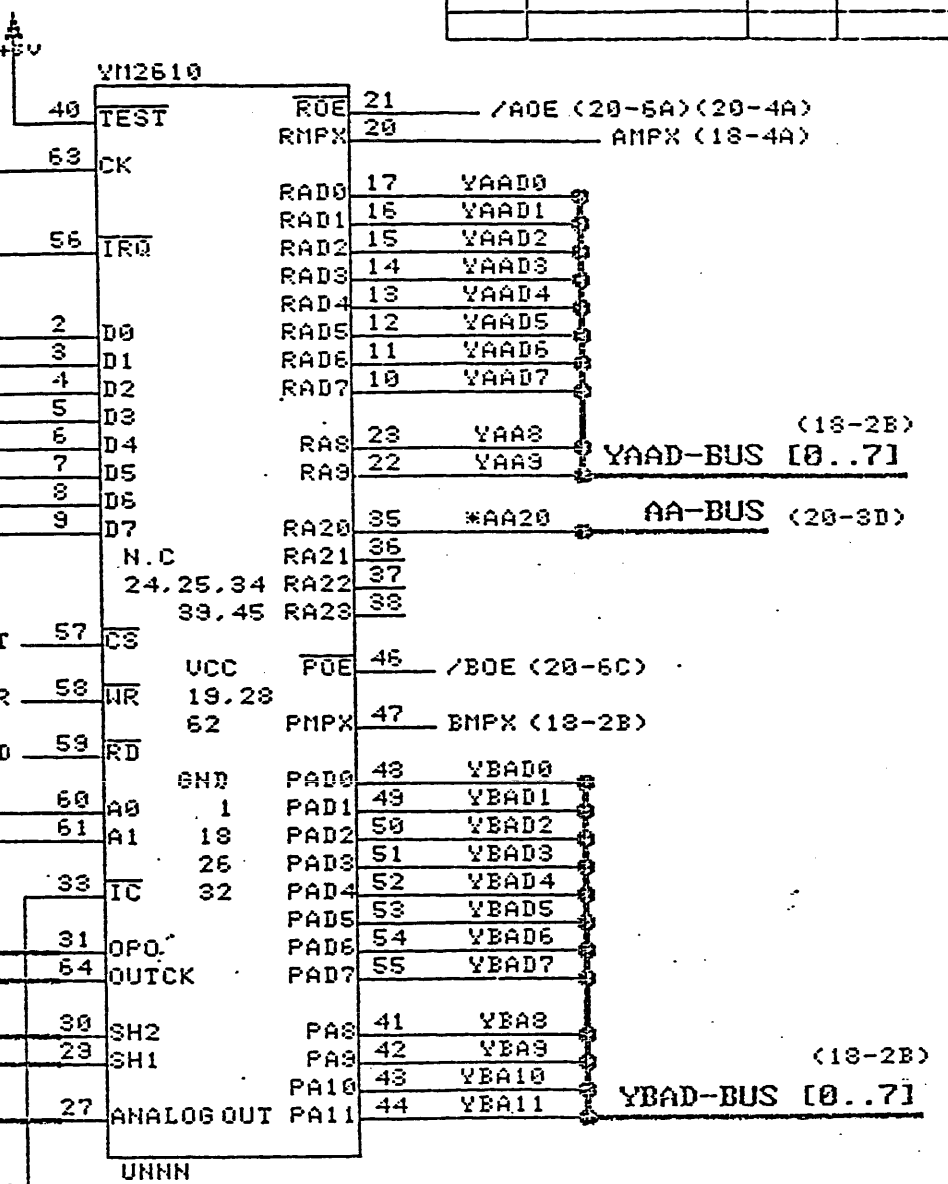
(17-4D) 8MHz
(17-5C) /SINT
(17-2C) SOUND_DATA[0..7]



SD0 2
SD1 3
SD2 4
SD3 5
SD4 6
SD5 7
SD6 8
SD7 9

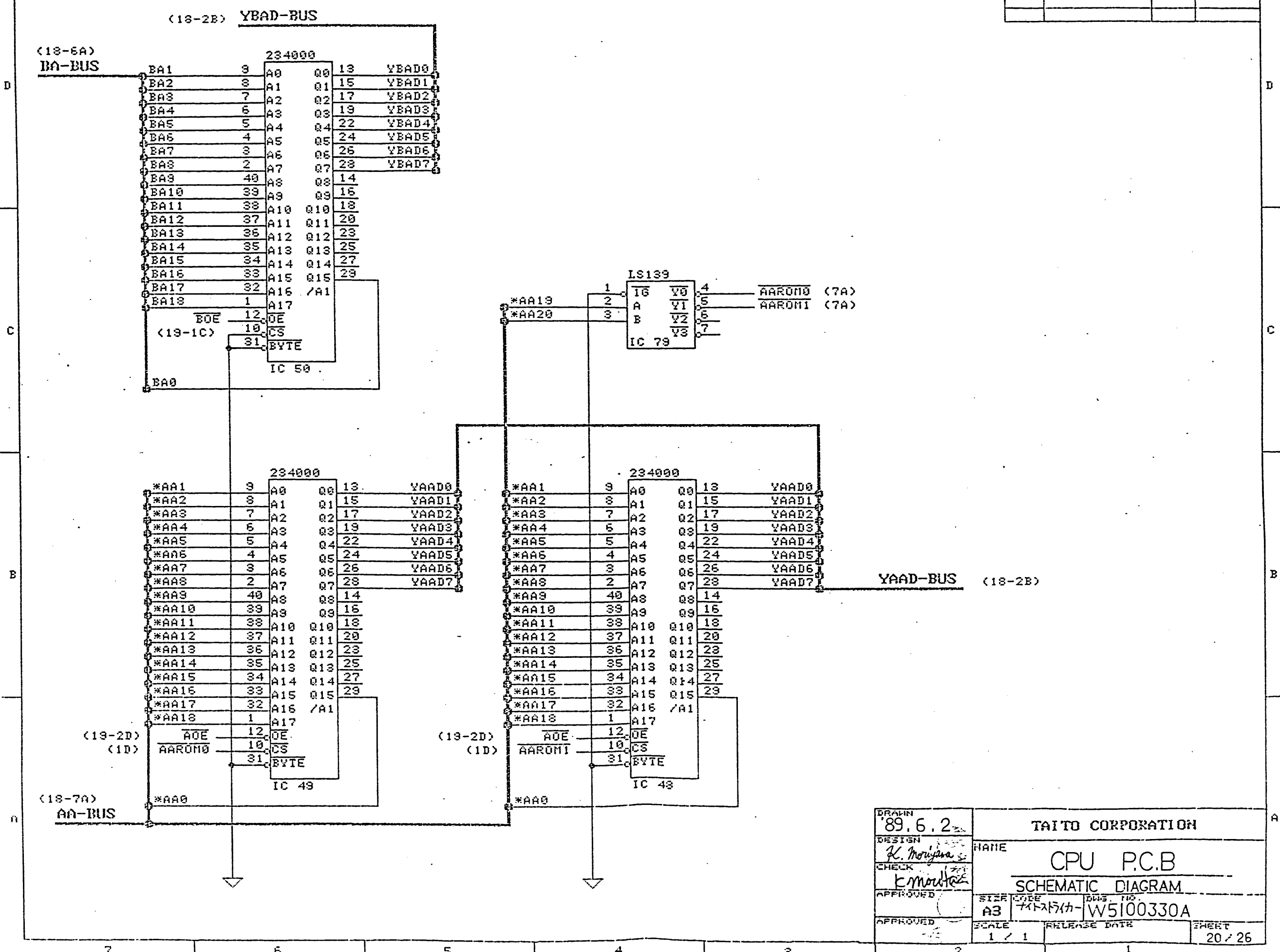
(18-2C) /OP_T 57
(17-5D) /SWR 58
(17-5D) /SRD 59

(17-2B) SOUND_ADD[0,1]
(18-5D) /CSA 15



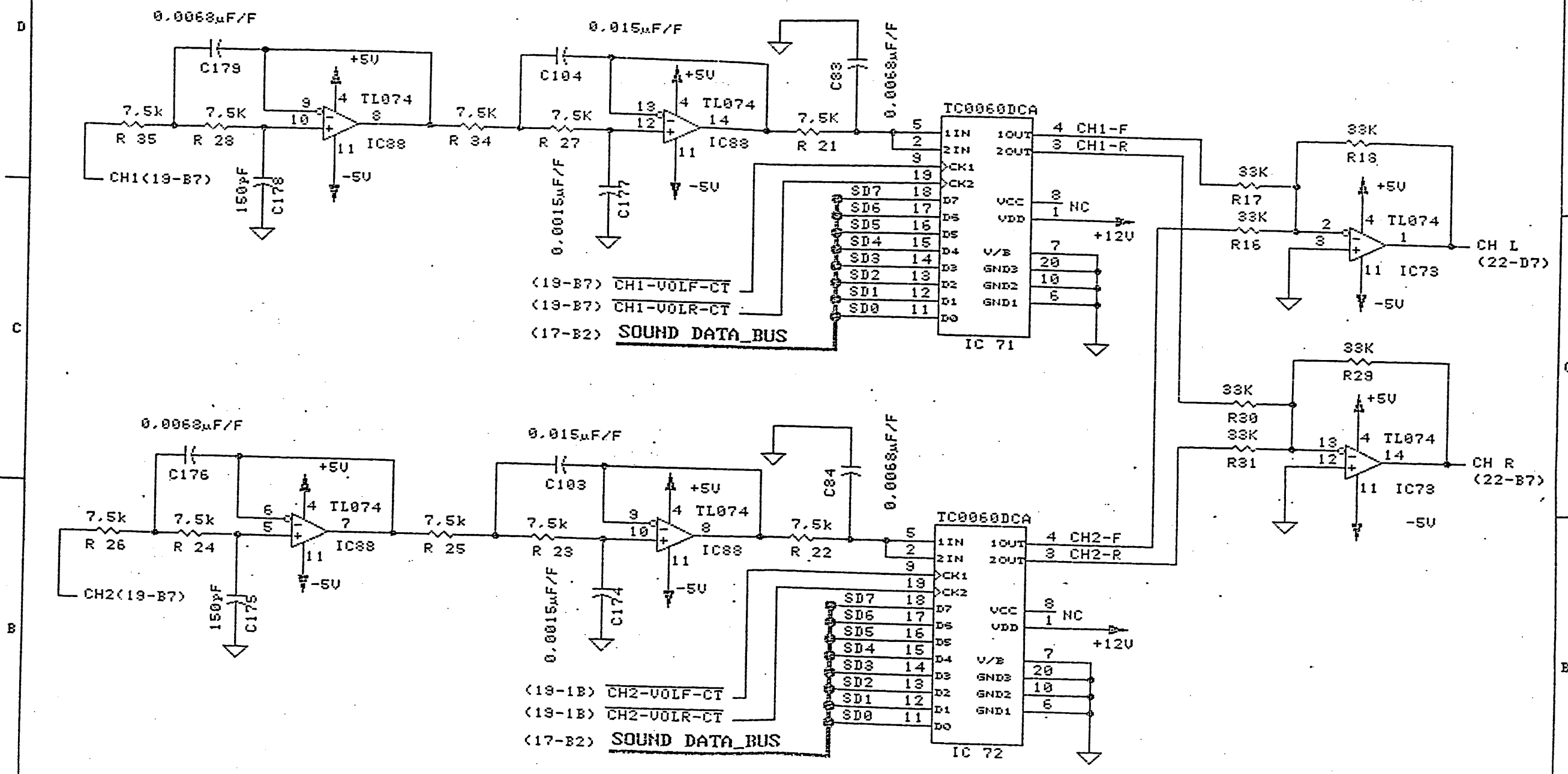
DRAWN 89.6.2	TAITO CORPORATION		
DESIGN K. Moriyama	NAME CPU P.C.B		
CHECK K. Moriyama	SCHEMATIC DIAGRAM		
APPROVED	SIZE A3	CODE 71777777	DIS. NO. W5100330A
APPROVED	SCALE 1/1	RELEASE DATE	SHEET 19/26

REVISIONS			
LTR	DESCRIPTION	DATE	APPROVED



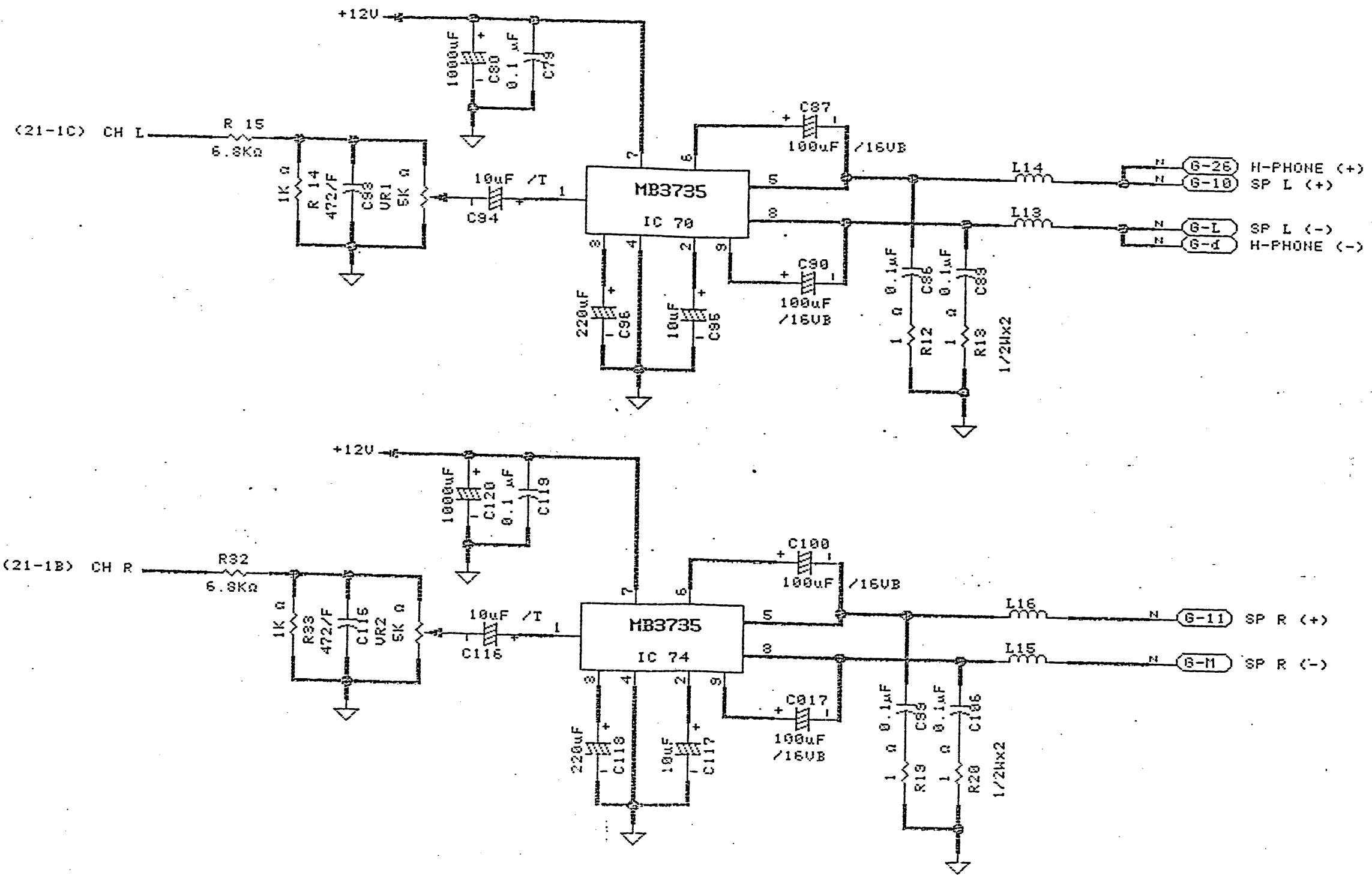
DRAWN 89.6.2 DESIGN K. Moriyama CHECK K. Moriyama APPROVED APPROVED	TAITO CORPORATION NAME CPU P.C.B SCHEMATIC DIAGRAM SIZE CODE A3 71-17171- W5100330A SCALE 1/1 RELEASE DATE SHEET 20/26
--	--

REVISIONS			
LTR	DESCRIPTION	DATE	APPROVED



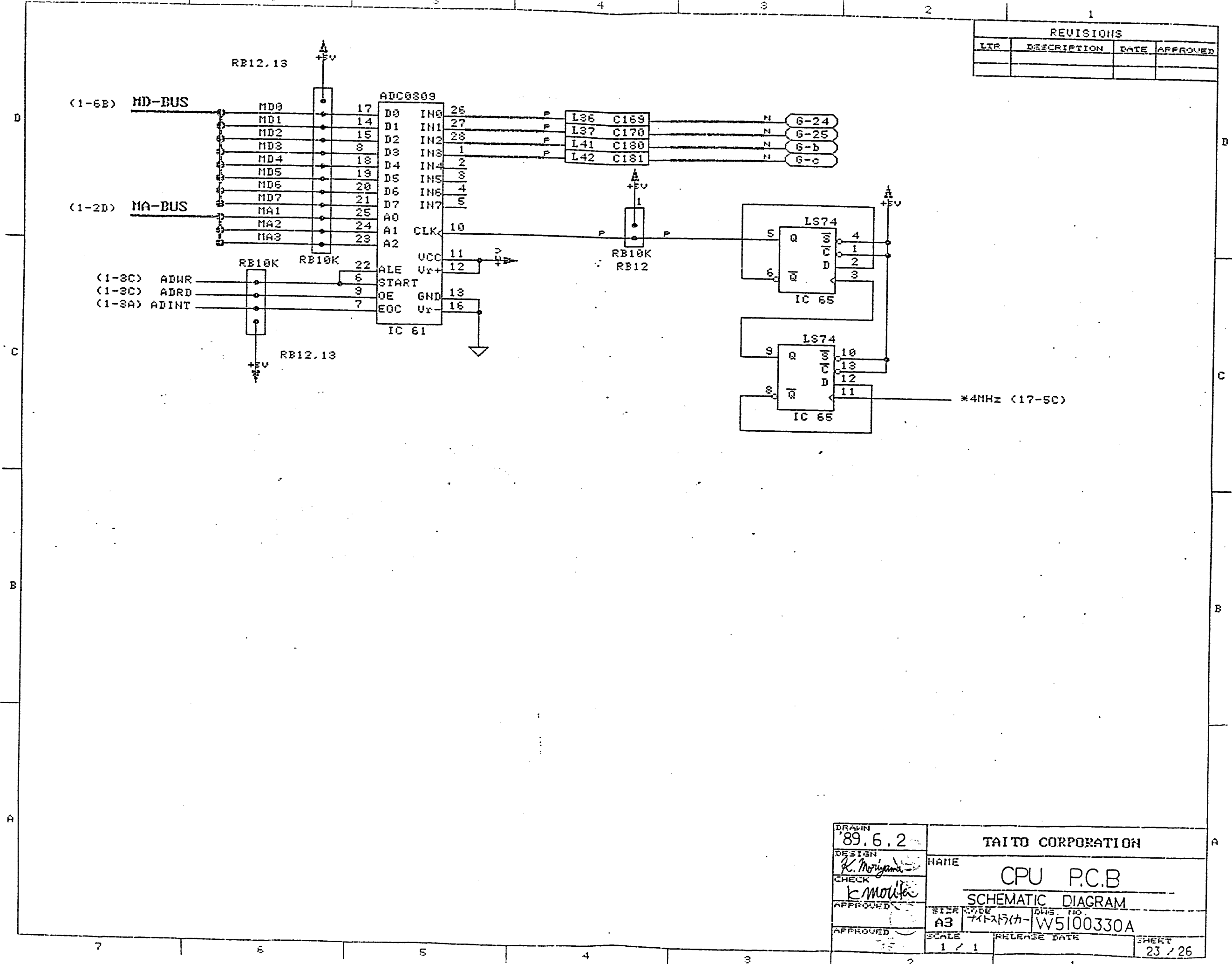
DRAWN '89.6.2	TAITO CORPORATION
DESIGN K. Moriyama	NAME CPU P.C.B
CHECK K. Moriyama	SCHMATIC DIAGRAM
APPROVED	SIZE A3
APPROVED	SCALE 1/1
	RELEASE DATE
	SHEET

REVISIONS			
LTR	DESCRIPTION	DATE	APPROVED



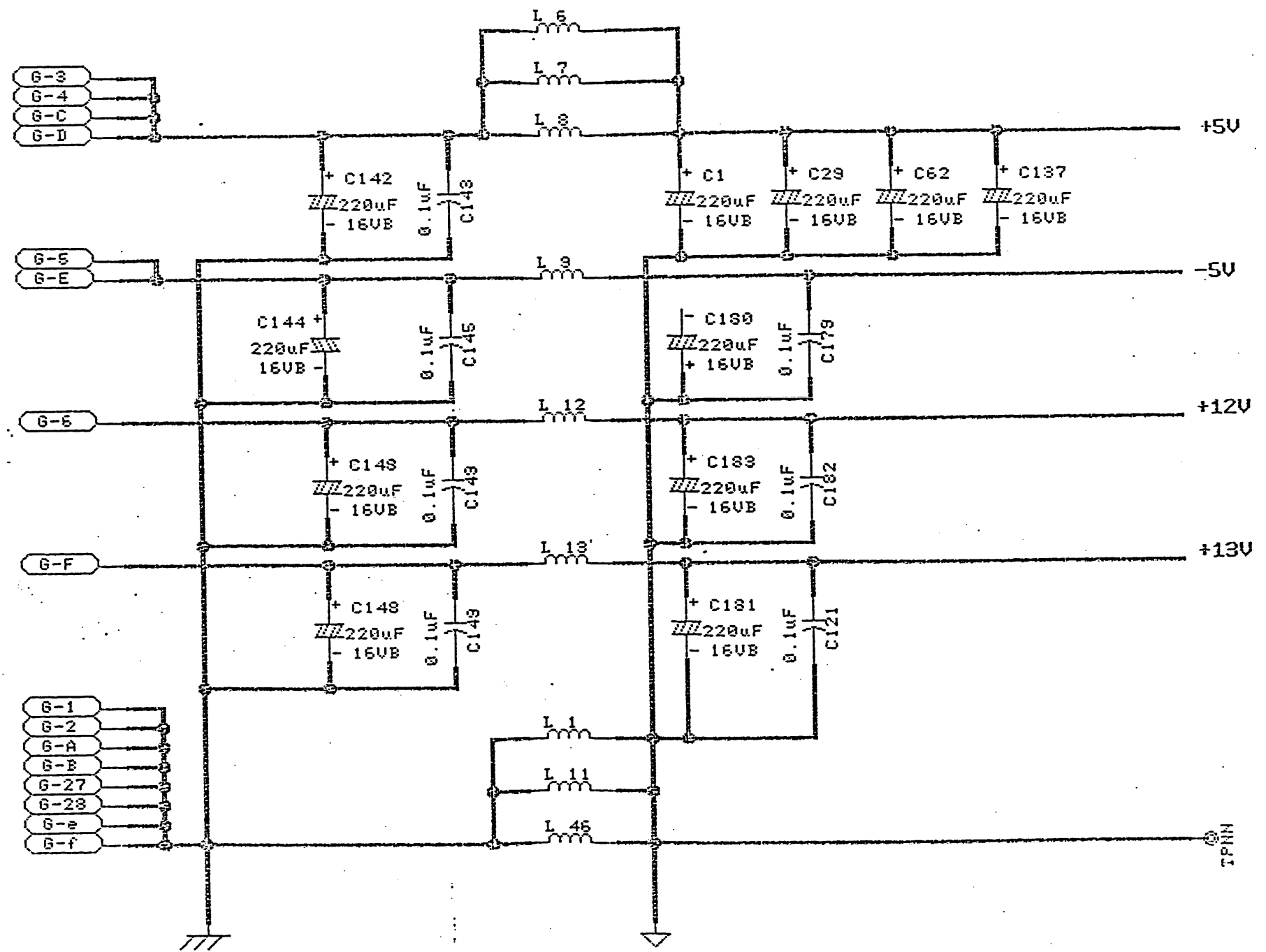
DESIGN '89.6.2	TAITO CORPORATION
DESIGN <i>R. Miyama</i>	NAME CPU P.C.B
CHECK <i>E. Morita</i>	SCHMATIC DIAGRAM
APPROVED	SIZE A3
APPROVED	SCALE +1/25x1/25
	DATE W5100330A
	RELEASE DATE
	SHEET

REVISIONS			
LTR	DESCRIPTION	DATE	APPROVED



DRAWN '89.6.2	TAITO CORPORATION		
DESIGN <i>K. Moriyama</i>	NAME CPU P.C.B		
CHECK <i>K. Moriyama</i>	SCHEMATIC DIAGRAM		
APPROVED	SIZE CODE A3	DATE 7/17/90	DWG. NO. W5100330A
APPROVED	SCALE 1/1	RELEASE DATE	SHEET 23/26

REVISIONS			
LR	DESCRIPTION	DATE	APPROVED



DRAWN 89.6.2	TAITO CORPORATION		
DESIGN <i>K. Moriyama</i>	NAME	CPU P.C.B	
CHECK <i>K. Moriyama</i>	SCHEMATIC DIAGRAM		
APPROVED	SIZE A3	CODE +115151カ-	DWG. NO. W5100330A
APPROVED	SCALE 1/1	RELEASE DATE	SHEET 24/26

REVISIONS			
LTR	DESCRIPTION	DATE	APPROVED

E-CONNECTER			
+5V	E-1	E-2	OD0
+5V	E-3	E-4	OD1
+5V	E-5	E-6	OD2
+5V	E-7	E-8	OD3
+5V	E-9	E-10	OD4
GND	E-11	E-12	OD5
GND	E-13	E-14	OD6
GND	E-15	E-16	OD7
GND	E-17	E-18	OD8
GND	E-19	E-20	OD9
GND	E-21	E-22	OD10
GND	E-23	E-24	OD11
GND	E-25	E-26	OD12
GND	E-27	E-28	OD13
GND	E-29	E-30	OD14
GND	E-31	E-32	OD15
GND	E-33	E-34	OA1
GND	E-35	E-36	OA2
GND	E-37	E-38	OA3
GND	E-39	E-40	OA4
GND	E-41	E-42	OA5
GND	E-43	E-44	OA6
GND	E-45	E-46	OA7
GND	E-47	E-48	OA8
GND	E-49	E-50	OA9
+5V	E-51	E-52	OA10
+5V	E-53	E-54	OR/W
+5V	E-55	E-56	OLDS
+5V	E-57	E-58	OU DS
+5V	E-59	E-60	

F-CONNECTER			
+5V	F-1	F-2	OBB0
+5V	F-3	F-4	OBB1
+5V	F-5	F-6	OBB2
+5V	F-7	F-8	OBB3
GND	F-9	F-10	OBB4
GND	F-11	F-12	OBB5
GND	F-13	F-14	OBB6
GND	F-15	F-16	OBB7
GND	F-17	F-18	OBB8
GND	F-19	F-20	OBB9
GND	F-21	F-22	OBB10
GND	F-23	F-24	OBB11
GND	F-25	F-26	OBB12
GND	F-27	F-28	
GND	F-29	F-30	UDCK0
GND	F-31	F-32	UDCK1
GND	F-33	F-34	UDCK2
GND	F-35	F-36	UDCK0*
GND	F-37	F-38	
GND	F-39	F-40	/H-SYNC*
GND	F-41	F-42	
GND	F-43	F-44	/HLD*
GND	F-45	F-46	/ULD*
GND	F-47	F-48	
GND	F-49	F-50	
GND	F-51	F-52	
+5V	F-53	F-54	OBJCS
+5V	F-55	F-56	OBJDTA
+5V	F-57	F-58	
+5V	F-59	F-60	

DRAWN '89.6.2 DESIGN <i>R. Moriyama</i> CHECK <i>E. Moriyama</i> APPROVED APPROVED	TAITO CORPORATION NAME CPU P.C.B SCHEMATIC DIAGRAM SIZE A3 DIS. NO. W5100330A SCALE 1:1 SHEET
---	---

REVISIONS			
ITR	DESCRIPTION	DATE	APPROVED

AMP 28PIN-U

G - CONNECTOR			
GND	1	A	GND
GND	2	B	GND
+5V	3	C	+5V
+5V	4	D	+5V
-5V	5	E	-5V
+12V	6	F	+13V
POST	7	H	POST
METER-A	8	J	METER-B
LOCK-A	9	K	LOCK-B
SP L (+)	10	L	SP L (-)
SP R (+)	11	M	SP R (-)
I/O A1	12	N	I/O A0
I/O A2	13	P	MUTE
SONIC (+)	14	R	SERVICE
SONIC (-)	15	S	TILT
COIN-SW-A	16	T	COIN-SW-B
SEL-1P	17	U	SEL-2P
1P-UP	18	V	SHOT LAMP
1P-DOWN	19	W	START LAMP
1P-LEFT	20	X	JOY MOVE
1P-RIGHT	21	Y	
1P-SHOT	22	Z	
1P-WARP	23	a	
1P-ADX	24	b	ADX-ADJ
1P-ADY	25	c	ADY-ADJ
H-PHONE (+)	26	d	H-PHONE (-)
GND	27	e	GND
GND	28	f	GND

H-POST HEADER SPIN SIDE

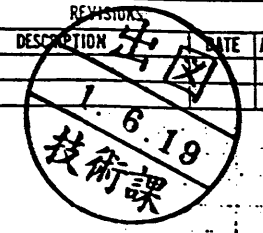
V - CONNECTOR	
VIDEO GND	1
VIDEO B	2
VIDEO G	3
VIDEO R	4
VIDEO SYNC	5

ANGLE-PIHEADER 50PIN

M - CONNECTOR			
MCD00	1	26	GND
MCD01	2	27	GND
MCD02	3	28	GND
MCD03	4	29	GND
MCD04	5	30	GND
MCD05	6	31	GND
MCD10	7	32	GND
MCD11	8	33	GND
MCD12	9	34	GND
MCD13	10	35	GND
MCD14	11	36	GND
MCD15	12	37	GND
MCD20	13	38	GND
MCD21	14	39	GND
MCD22	15	40	GND
MCD23	16	41	GND
MCD24	17	42	GND
MCD25	18	43	GND
MLAMP1	19	44	GND
MLAMP2	20	45	GND
MLAMP3	21	46	GND
SPOT1	22	47	GND
SPOT2	23	48	GND
GND	24	49	GND
GND	25	50	GND

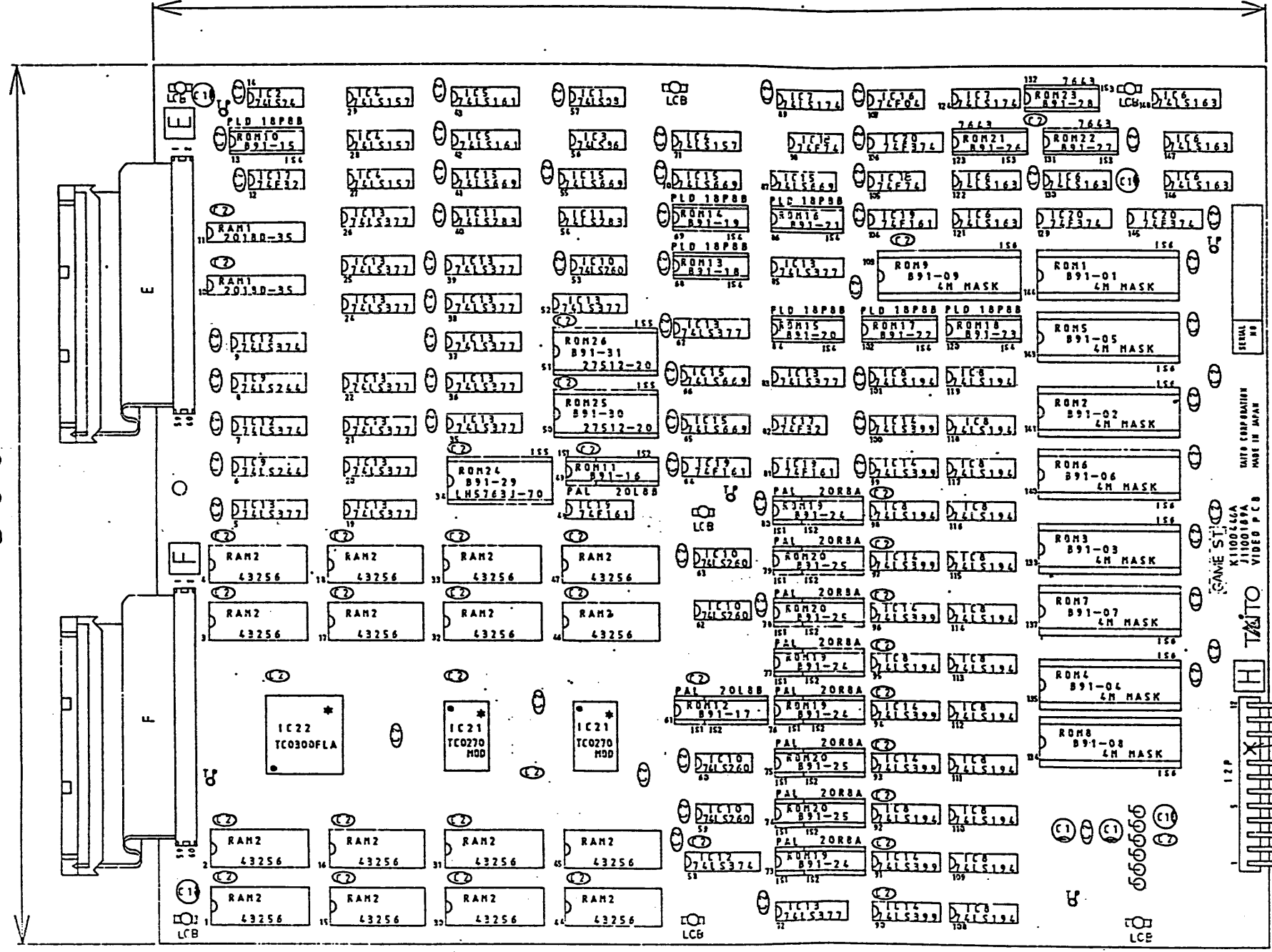
DRAWN '89.6.2 DESIGN <i>H. Moriyama</i> CHECK <i>K. Moriya</i> APPROVED APPROVED	TAITO CORPORATION NAME CPU P.C.B SCHEMATIC DIAGRAM SIZE CODE A3 741-21511- DWS. NO. W5100330A SCALE 1 / 1 RELEASE DATE SHEET 26 / 26
---	---

REVISIONS			
LTR	DESCRIPTION	DATE	APPROVED



360

300



CATHODE MARK
 ELEC. BLOCK
 CAP. CERAMIC
 NOTE 1. SYMBOL MARK

SIDE VIEW
 NOTE 2. BEADS FILTER

FLAT PACKAGE
 SIDE VIEW
 LCB
 NOTE 3. LOCKING SUPPORT

TAITO CORPORATION
 MADE IN JAPAN
 K1100446A
 J1100187A
 VIDEO PCB

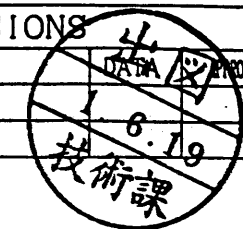
F
E
D
C
B
A

一般公差 (±)					THIRD ANGLE PROJECTION		DRAWN	
呼称寸法	1mm	2mm	3mm	4mm	5mm	UNLESS OTHERWISE SPECIFIED	DATE	6.2.89
5mm	0.1	0.1	0.2	0.3	0.5	DIMENSIONS ARE IN MILLIMETRES	DESIGN	F. Kuzuka
5-15	0.1	0.2	0.3	0.5	0.8	GENERAL TOLERANCES	CHECK	K. Morita
15-50	0.2	0.3	0.5	0.8	1.2	GENERAL HOLE DIA ±	APPROVED	
50-100	0.3	0.5	0.8	1.2	1.8	ANGLES ±		
100-250	0.5	0.8	1.2	1.8	3.0	MATERIAL		
250-500	0.8	1.2	1.8	3.0	5.0	FINISH		
500-1500	1.2	1.8	3.0	5.0	8.0	DO NOT SCALE DRAWING		
角度公差	20'	40'	1'30"	3'				

NAME	TAITO CORPORATION	
NAME	VIDEO PCB ASSY	
SIZE	NIGHT A2 STRIKER	DWG. NO. K1100446A
SCALE	RELEASE DATE	SHEET 1/2

84					
83					
82					
81					
80					
79			GAME STICKER (K1100446A)		1
78					
77	LCB	F9000128A	LOCKING SUPPOT LCB-10		7
76					
75	E.F	L5000071A	FRC HARNESS ASSY 60P DIP TYP		2
74					
73	L	C1101201A	BEADS FILTER ZBF503S-01TA		6
72					
71	TP	C0600403A	TEST POINT CHIP L=7.8		5
70					
69	IS6	C0550090A	I.C. SOCKET 40P		9
68	IS5	C0550080A	↑ 28P		3
67	IS4	C0550052A	20P		7
66	IS3	C0550040A	18P		3
65	IS2	C0550033A	↓ 16P		10
64	IS1	C0550001A	I.C. SOCKET 8P		10
63					
62	12P	C0500034A	POST HEADER-12P 5272-12		1
61					
60	ROM26	B2004160A	ROM B91-31 27512-20		1
59	ROM25	B2004159A	ROM B91-30 27512-20		1
58	ROM24	B2004158A	ROM B91-29 LH5763J-70		1
57	ROM23	B2004157A	ROM B91-28 7643		1
56	ROM22	B2004156A	ROM B91-27 7643		1
55	ROM21	B2004155A	ROM B91-26 7643		1
54	ROM20	B2004154A	PAL B91-25 20R8A		4
53	ROM19	B2004153A	PAL B91-24 20R8A		4
52	ROM18	B2004152A	PLD B91-23 18P8B		1
51	ROM17	B2004151A	PLD B91-22 ↑		1
50	ROM16	B2004150A	PLD B91-21 ↓		1
49	ROM15	B2004149A	PLD B91-20 ↓		1
48	ROM14	B2004148A	PLD B91-19 ↓		1
47	ROM13	B2004147A	PLD B91-18 18P8B		1
46	ROM12	B2004146A	PAL B91-17 20L8B		1
45	ROM11	B2004145A	PAL B91-16 20L8B		1
44	ROM10	B2004144A	PLD B91-15 18P8B		1
43	ROM9	B2004057A	ROM B91-09 4M MASK		1
42	ROM8	B2004056A	ROM B91-08 ↑		1
41	ROM7	B2004055A	ROM B91-07 ↓		1
40	ROM6	B2004054A	ROM B91-06 ↓		1
39	ROM5	B2004053A	ROM B91-05 ↓		1
38	ROM4	B2004052A	ROM B91-04 ↓		1
37	ROM3	B2004051A	ROM B91-03 ↓		1
36	ROM2	B2004050A	ROM B91-02 ↓		1
35	ROM1	B2004049A	ROM B91-01 4M MASK		1
34					

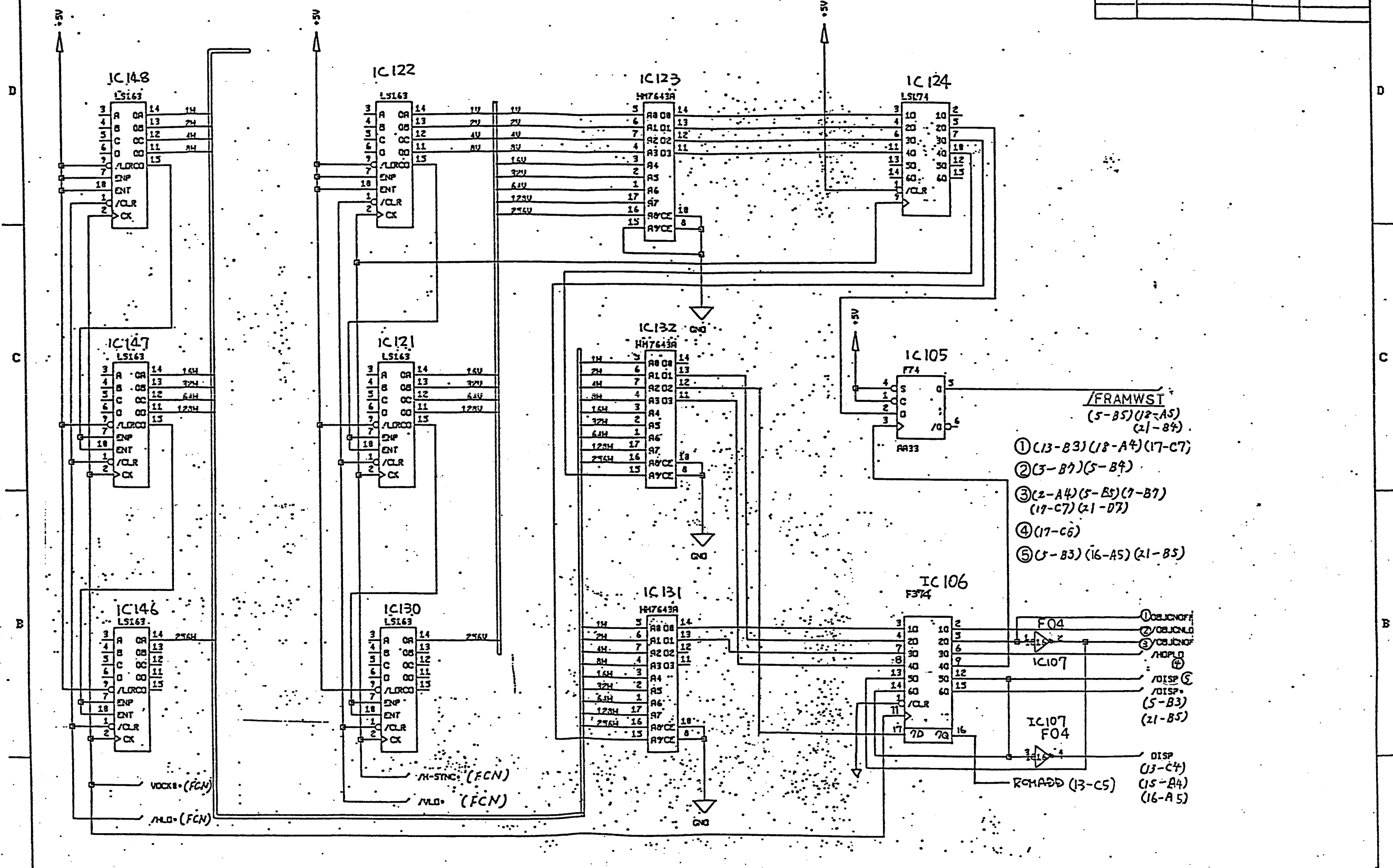
REVISIONS	
LTR	DESCRIPTION



33	IC22	B16Z0046A	CUSTOM I.C.	TC0300FLA	1
32	IC21	B16Z0043A	CUSTOM I.C.	TC0270MOD	2
31					
30	RAM2	B10X0029B	S-RAM	43256-100	16
29	RAM1	B10X0028A	S-RAM	2018D-35	2
28					
27	IC20	B05X2374A	F I.C.	74F374	3
26	IC19	B05X2161A	↑	74F161	4
25	IC18	B05X2074A		74F74	2
24	IC17	B05X2032A	↓	74F32	2
23	IC16	B05X2004A	F I.C.	74F04	1
22					
21	IC15	B01X0669A	LS I.C.	74LS669	6
20	IC14	B01X0399A	↑	74LS399	8
19	IC13	B01X0377A		74LS377	18
18	IC12	B01X0374A		74LS374	3
17	IC11	B01X0283A		74LS283	2
16	IC10	B01X0260A		74LS260	5
15	IC9	B01X0244A		74LS244	2
14	IC8	B01X0194A		74LS194	16
13	IC7	B01X0174A		74LS174	2
12	IC6	B01X0163A		74LS163	6
11	IC5	B01X0161A		74LS161	2
10	IC4	B01X0157A		74LS157	4
9	IC3	B01X0086A		74LS86	1
8	IC2	B01X0074A	↓	74LS74	1
7	IC1	B01X0008A	LS I.C.	74LS08	1
6					
5	C2	A1200123A	CAP CERAMIC	25V 100000p	99
4					
3	C1	A1000135A	CAP ELEC BLOCK	16V 220μF	6
2					
1		J1100189A	VIDEO PCBOARD	360X300	1
ITEM NO.	SYM	PART OR IDENTIFYING NO.	NOMENCLATURE OR DESCRIPTION		QTY REQD

DATE	6.2.'89	TAITO CORPORATION	
DESIGN	F. Kaneko	NAME	
CHECK	K. Maeda	VIDEO PCB ASSY	
APPROVED		SIZE	CODE IDENT NO.
APPROVED		A3	NIGHT STRIKER
		SCALE	RELEASE DATA
			REV. NO. K1100446A
			SHEET 2/2

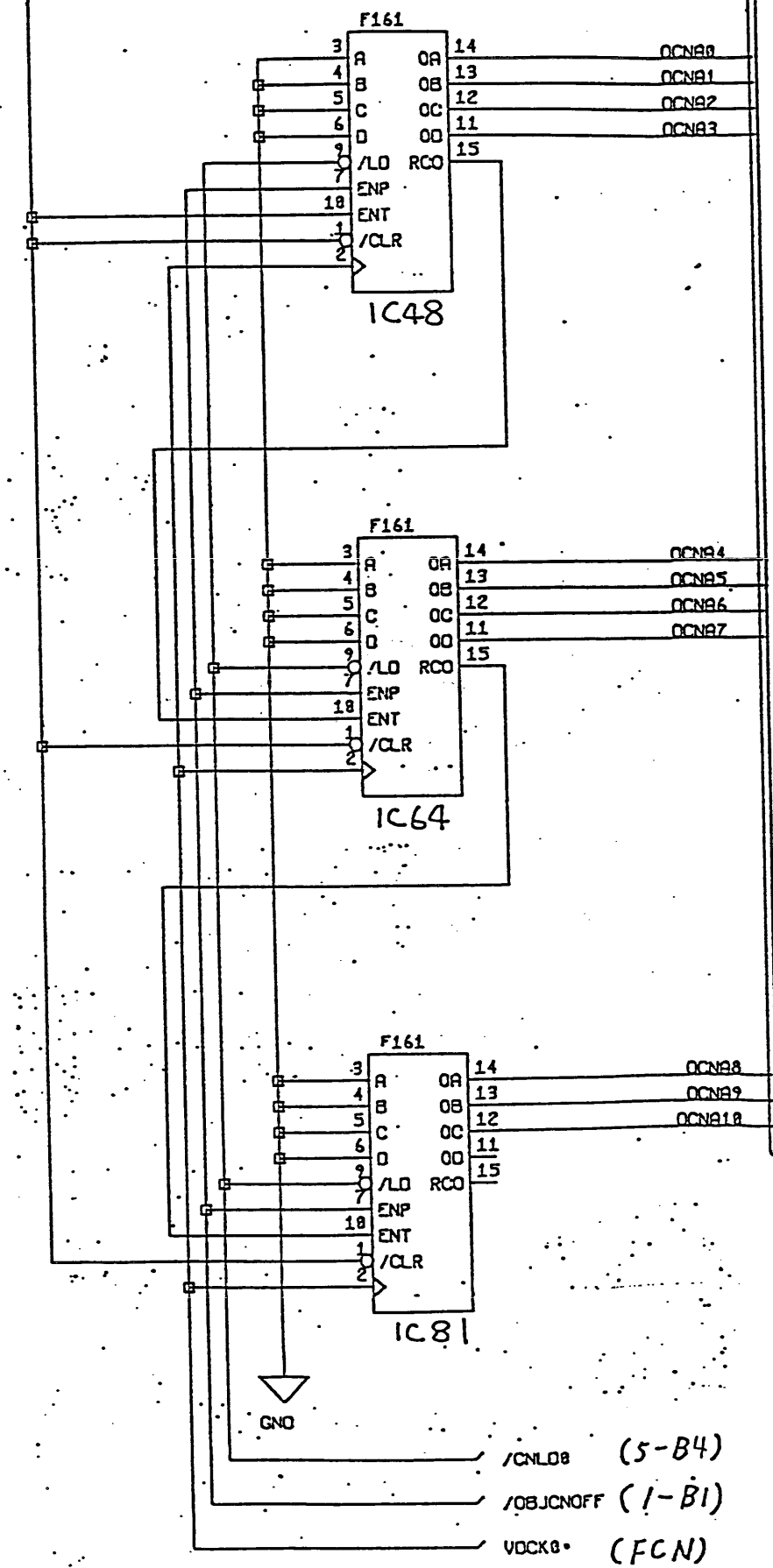
REVISIONS			
LT#	DESCRIPTION	DATE	APPROVED



DRAWN 89.6.2	TAITO CORPORATION		
DESIGN H. Moriyama	NAME	VIDEO P.C. BOARD	
CHECK K. Morita	SCHEMATIC DIAGRAM		
APPROVED	SIZE CODE A3	DWG. NO. W5100329A	
APPROVED	SCALE 1/1	RELEASE DATE	SHEET 1/23

REVISIONS			
LTR	DESCRIPTION	DATE	APPROVED

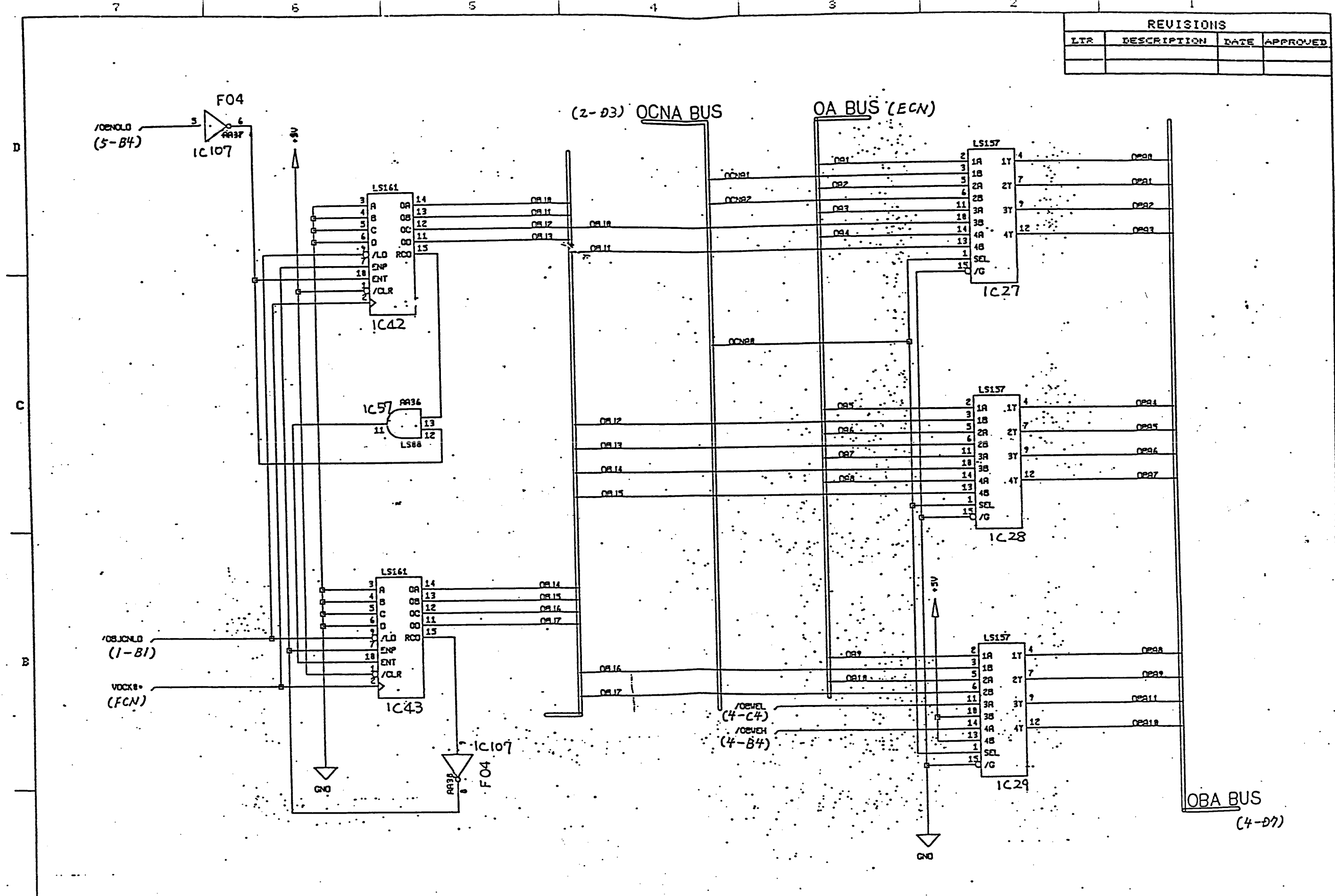
OCNA BUS (3-D4)
(4-A2)
(5-D5)
(21-D6)



/CNL08 (5-B4)
/OBJCNOFF (1-B1)
V0CK0 (FCN)

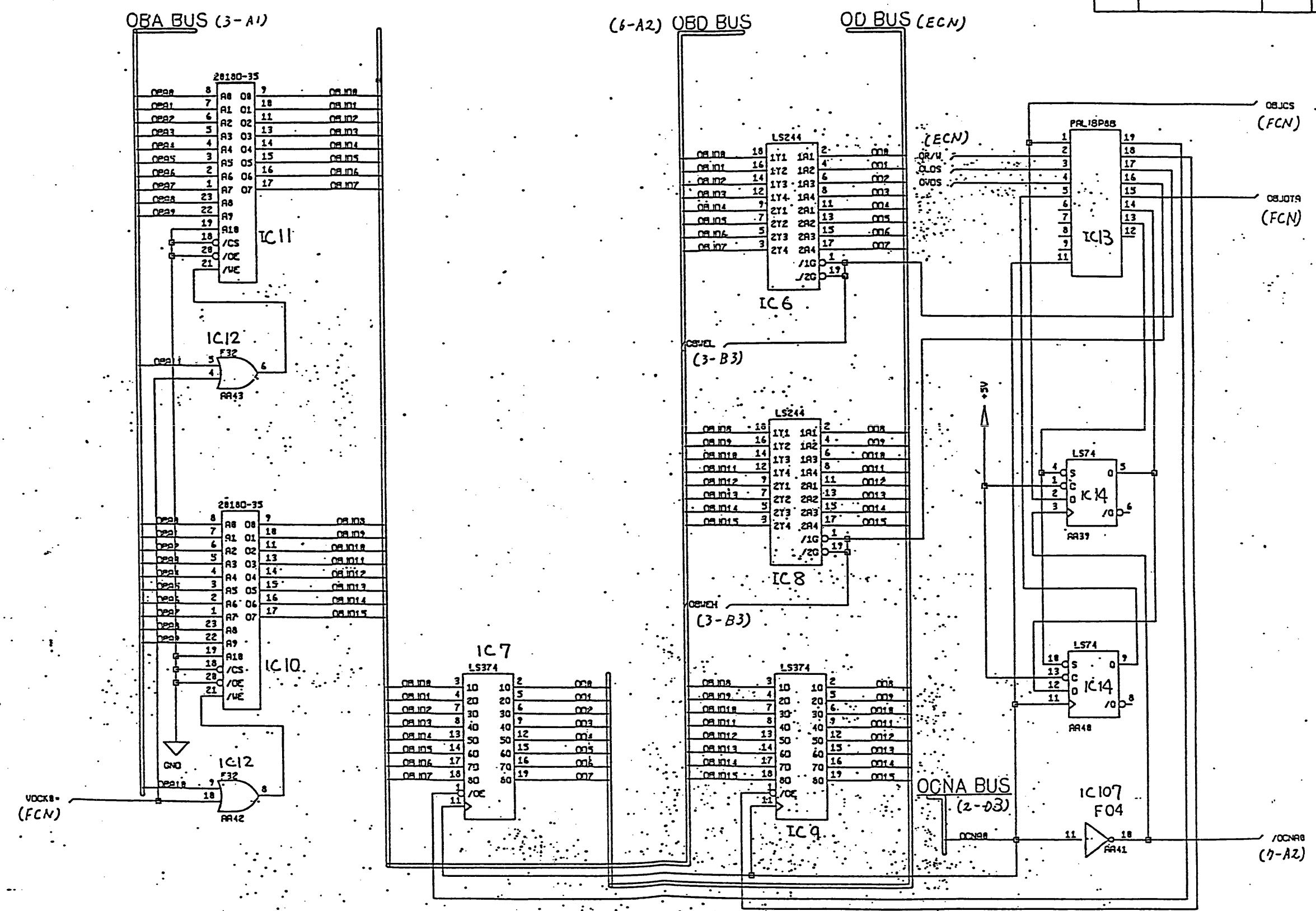
DRWN 89.6.2	TAITO CORPORATION		
DESIGN K. Moriyama	NAME VIDEO P.C. BOARD		
CHECK K. Moriya	SCHEMATIC DIAGRAM		
APPROVED	SIZE A3	CODE カトシタカ-	ENG. NO. W5100329A
APPROVED	SCALE 1/1	RELEASE DATE	SHEET 2/23

REVISIONS			
LTR	DESCRIPTION	DATE	APPROVED



DESIGN NO. 89.6.2	TAITU CORPORATION		
DESIGN NAME K. Moriyama	VIDEO P.C. BOARD		
CHECK NAME K. Morita	SCHEMATIC DIAGRAM		
APPROVED	SIZE CODE A3	DWG. NO. 71-21511	W5100329A
APPROVED	SCALE 1/1	RELEASE DATE	SHEET 3/23

REVISIONS			
LTR	DESCRIPTION	DATE	APPROVED



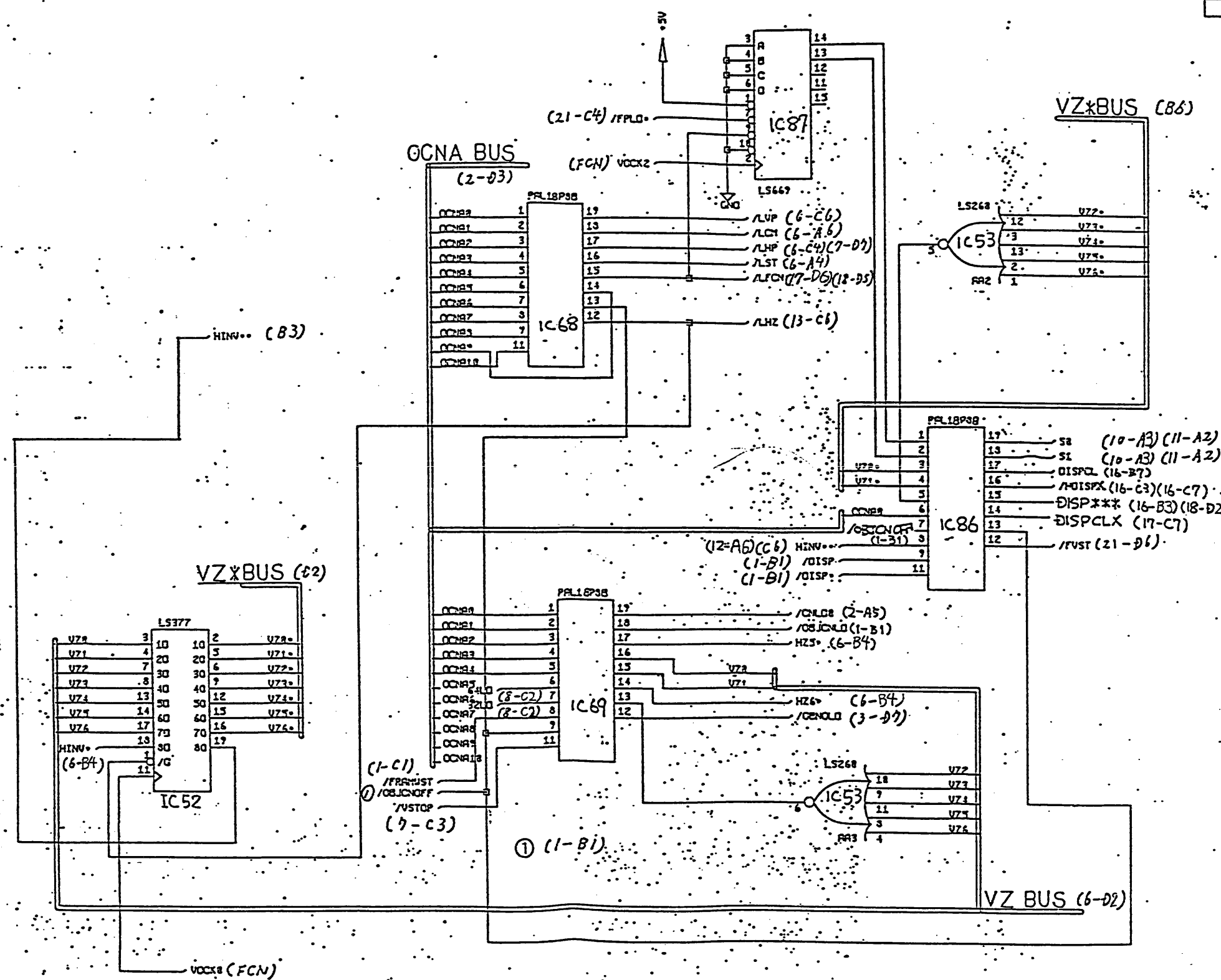
DESIGN 89.6.2 K. Inuyama	TAITO CORPORATION		
CHECK K. Morita	NAME VIDEO P.C. BOARD		
APPROVED	SIZE CODE A3	DWG. NO. W5100329A	SHEET 4/23
APPROVED	SCALE 1/1	RELEASE DATE	

D
C
B
A

D
C
B
A

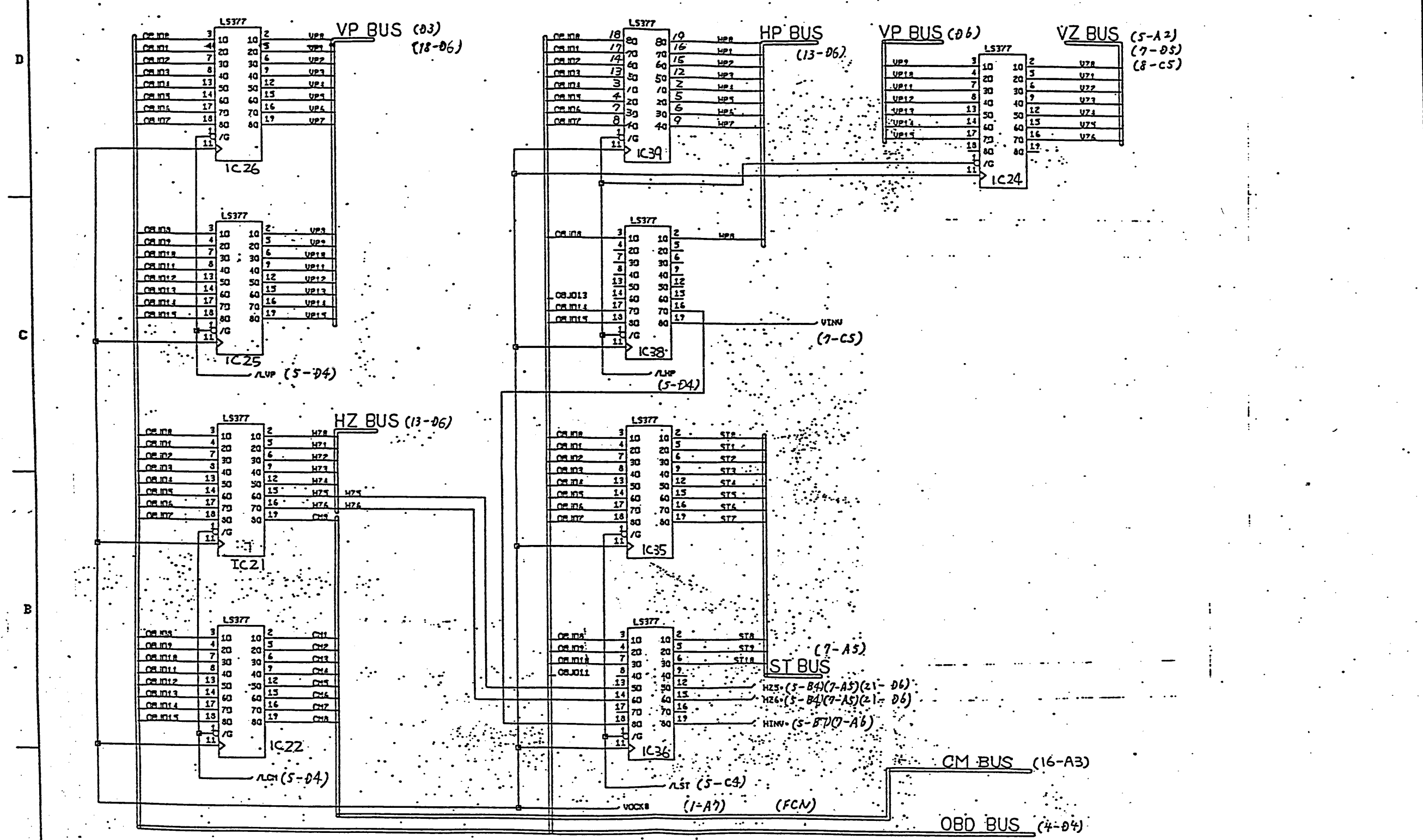
REVISIONS			
LTR	DESCRIPTION	DATE	APPROVED

D
C
B
A



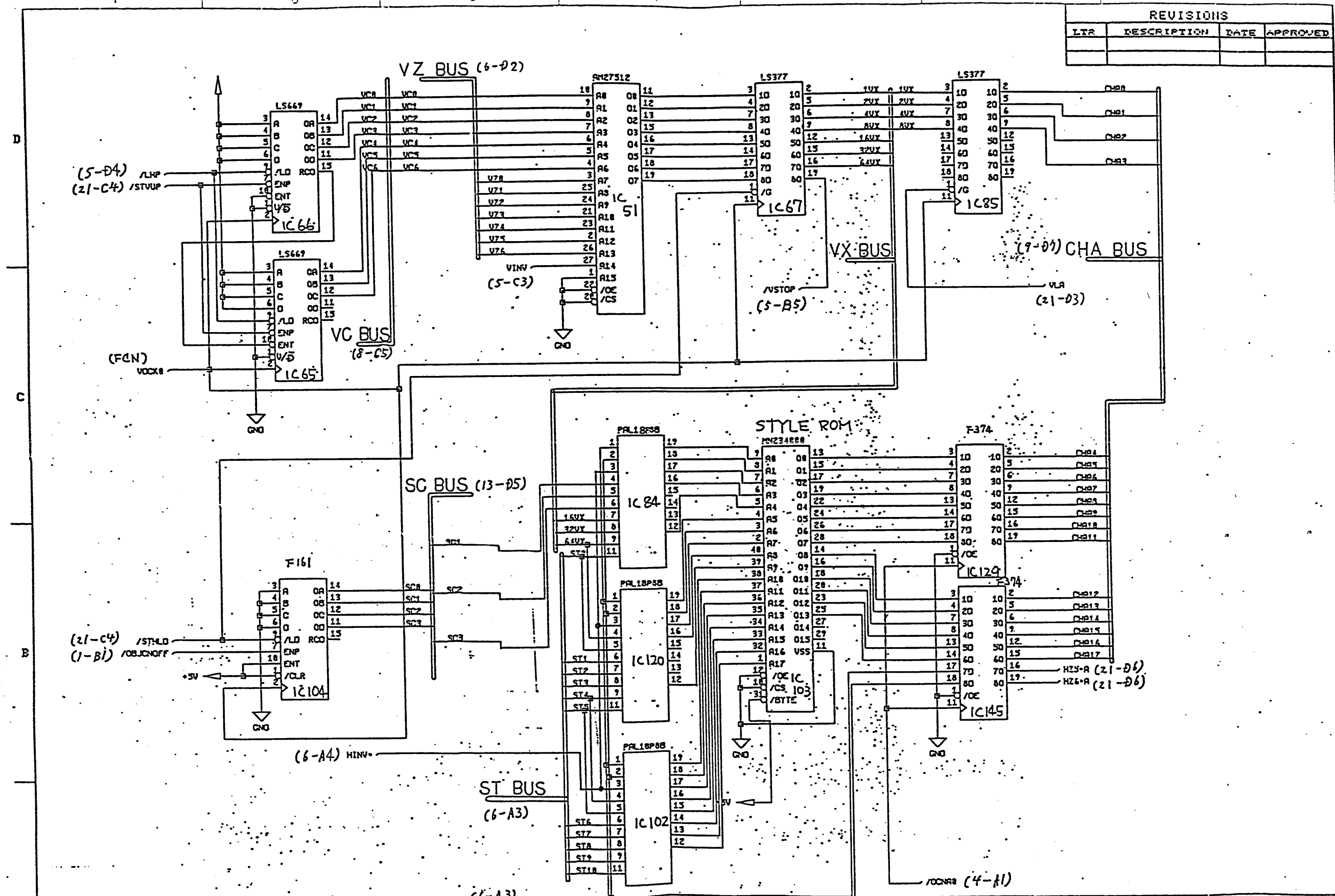
DRAWN 89.6.2	TAITU CORPORATION		
DESIGN K. Miyama	NAME	VIDEO P.C. BOARD	
CHECK K. Morita	SCHEMATIC DIAGRAM		
APPROVED	SITE CODE A3	DIS. NO. W5100329A	
APPROVED	SCALE 1 / 1	RELEASE DATE	SHEET 5 / 23

REVISIONS			
LTR	DESCRIPTION	DATE	APPROVED



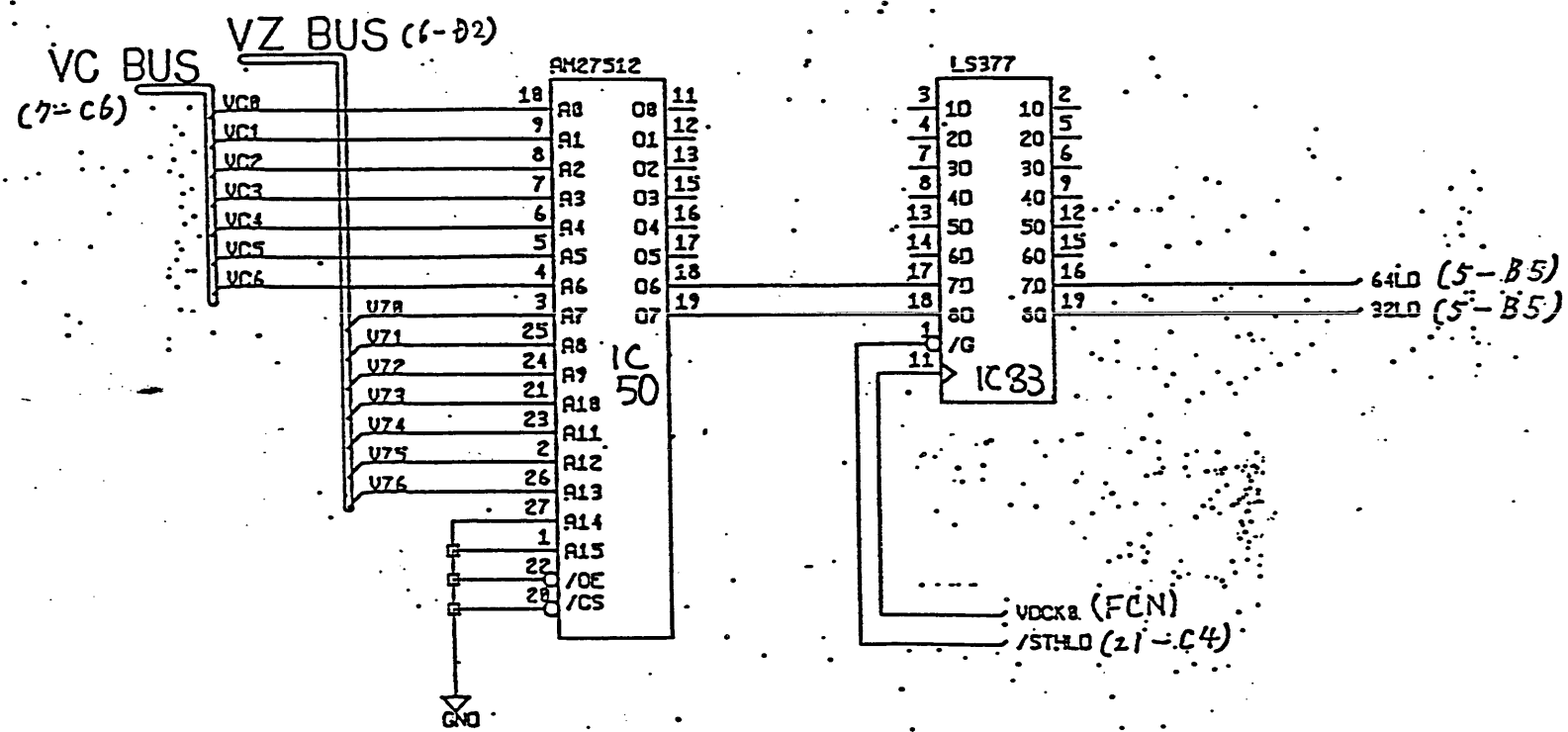
DRAWN 89.6.2	TAITO CORPORATION		
DESIGN K. Moriyama	NAME	VIDEO P.C. BOARD	
CHECK K. Moriyama	SCHEMATIC DIAGRAM		
APPROVED	SIZE CODE A3	DWG. NO. W5100329A	
APPROVED	SCALE 1/1	RELEASE DATE	SHEET 6/23

REVISIONS			
LTR	DESCRIPTION	DATE	APPROVED



DESIGN 89.6.2 K. Morita	TAITO CORPORATION		
CHECK K. Morita	NAME VIDEO P.C. BOARD		
APPROVED	SCHEMATIC DIAGRAM		
APPROVED	SITE CODE A3	DWG. NO. 711-21511	REV. NO. W5100329A
APPROVED	SCALE 1/1	RELEASE DATE	SHEET 7/23

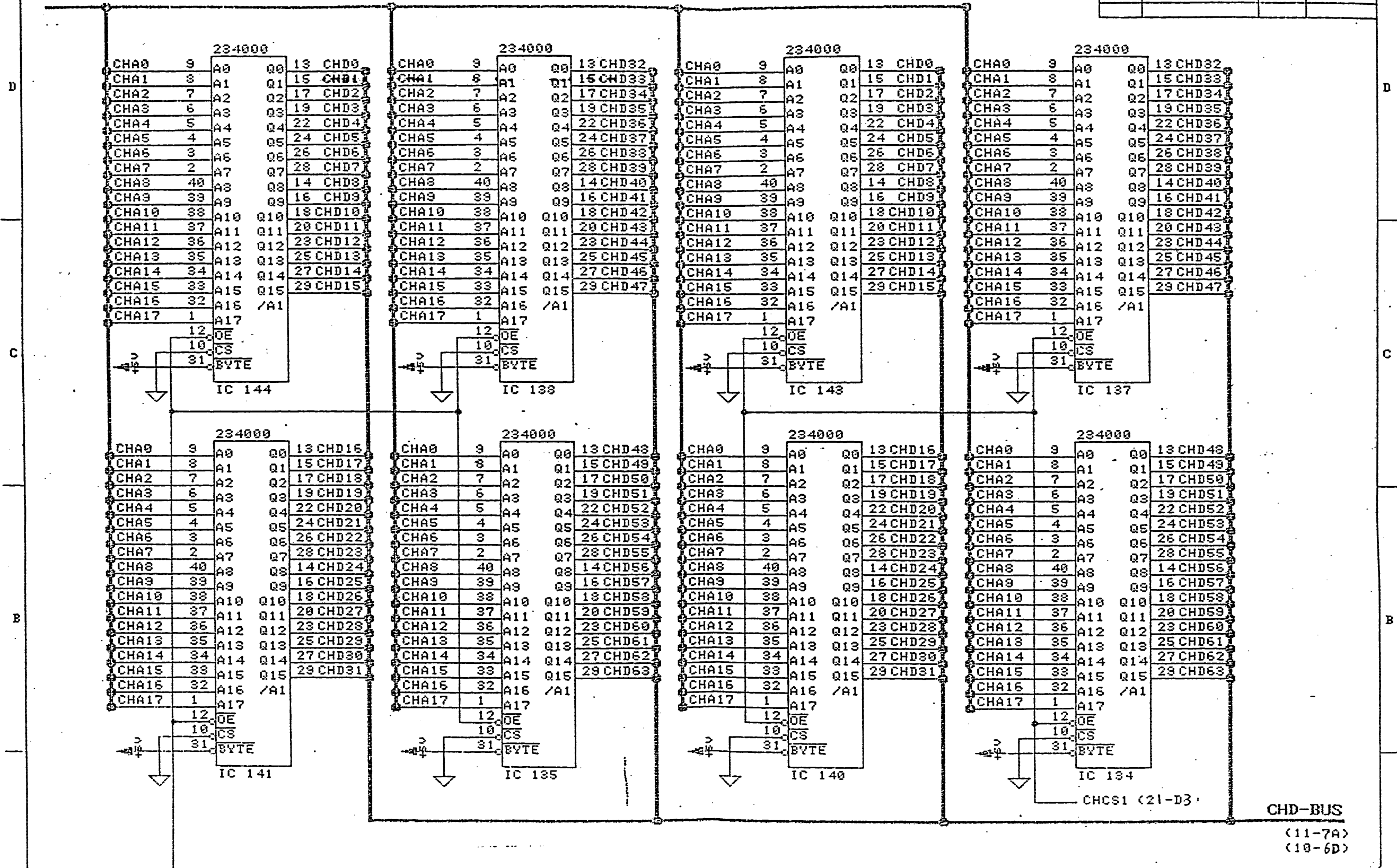
REVISIONS			
LT#	DESCRIPTION	DATE	APPROVED



DESIGN 89.6.2	TAITO CORPORATION		
DESIGN <i>K. Morita</i>	NAME VIDEO P.C. BOARD	SCHEMATIC DIAGRAM	
CHECK <i>K. Morita</i>	SIZE A3	CODE 71-21711	DWG. NO. W5100329A
APPROVED <i>(Signature)</i>	SCALE 1 / 1	RELEASE DATE	SHEET 8 / 23

CHA-BUS

REVISIONS			
LTR	DESCRIPTION	DATE	APPROVED



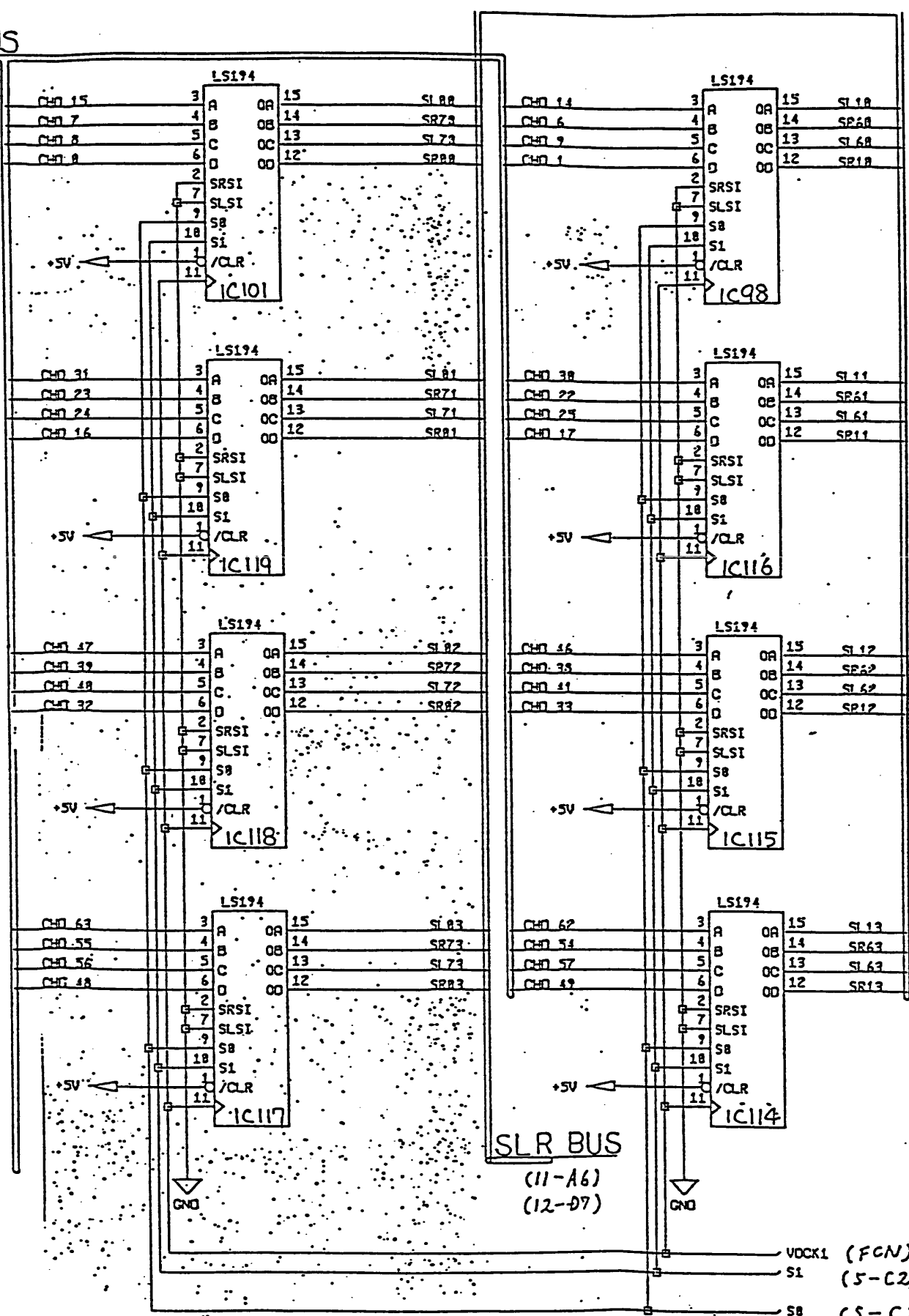
CHCS1 (21-D3)
CHD-BUS
(11-7A)
(10-6D)

DESIGN 89.6.2 K. Moriyama	TAITO CORPORATION	
CHECK K. Moriyama	NAME VIDEO P.C. BOARD	
APPROVED	SCHEMATIC DIAGRAM	
APPROVED	SIZE CODE A3	THIS NO. W5100329A
	SCALE 1/1	RELEASE DATE
		SHEET 9/23

REVISIONS			
LT#	DESCRIPTION	DATE	APPROVED

(9-A1) CHD BUS

D
C
B
A



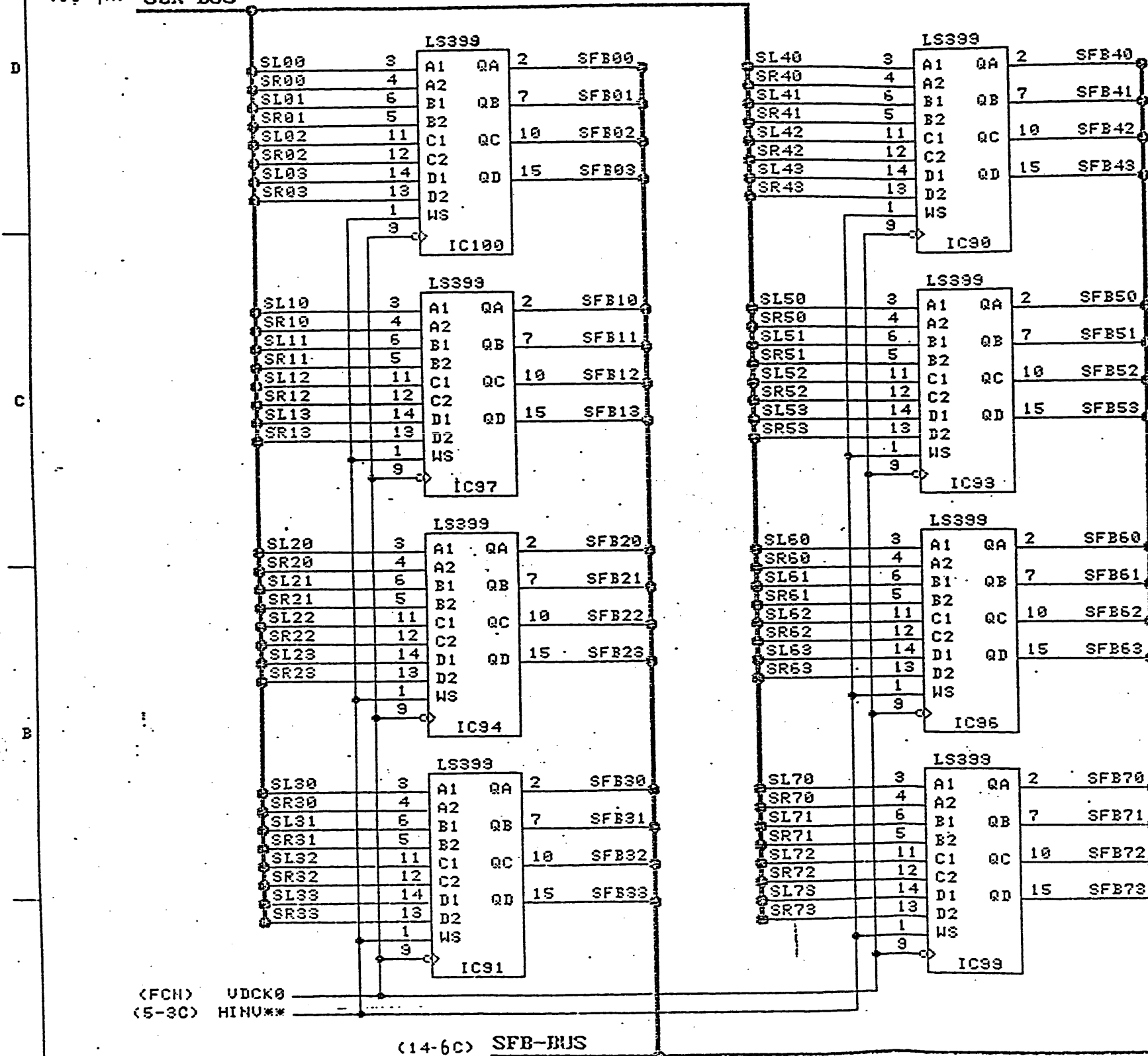
SLR BUS
(11-A6)
(12-D7)

VCC1 (FCN)
S1 (5-C2)
S8 (5-C2)

DRAWN 89.6.2	TAITO CORPORATION		
DESIGN K. Moriyama	NAME	VIDEO P.C. BOARD	
CHECK K. Moriyama	SCHEMATIC DIAGRAM		
APPROVED	SHEET CODE A3	CHG. NO. 711-21511	DESIGN NO. W5100329A
APPROVED	SCALE 1 / 1	RELEASE DATE	SHEET 10 / 23

REVISIONS			
LTP	DESCRIPTION	DATE	APPROVED

(10-4A) SLR-BUS

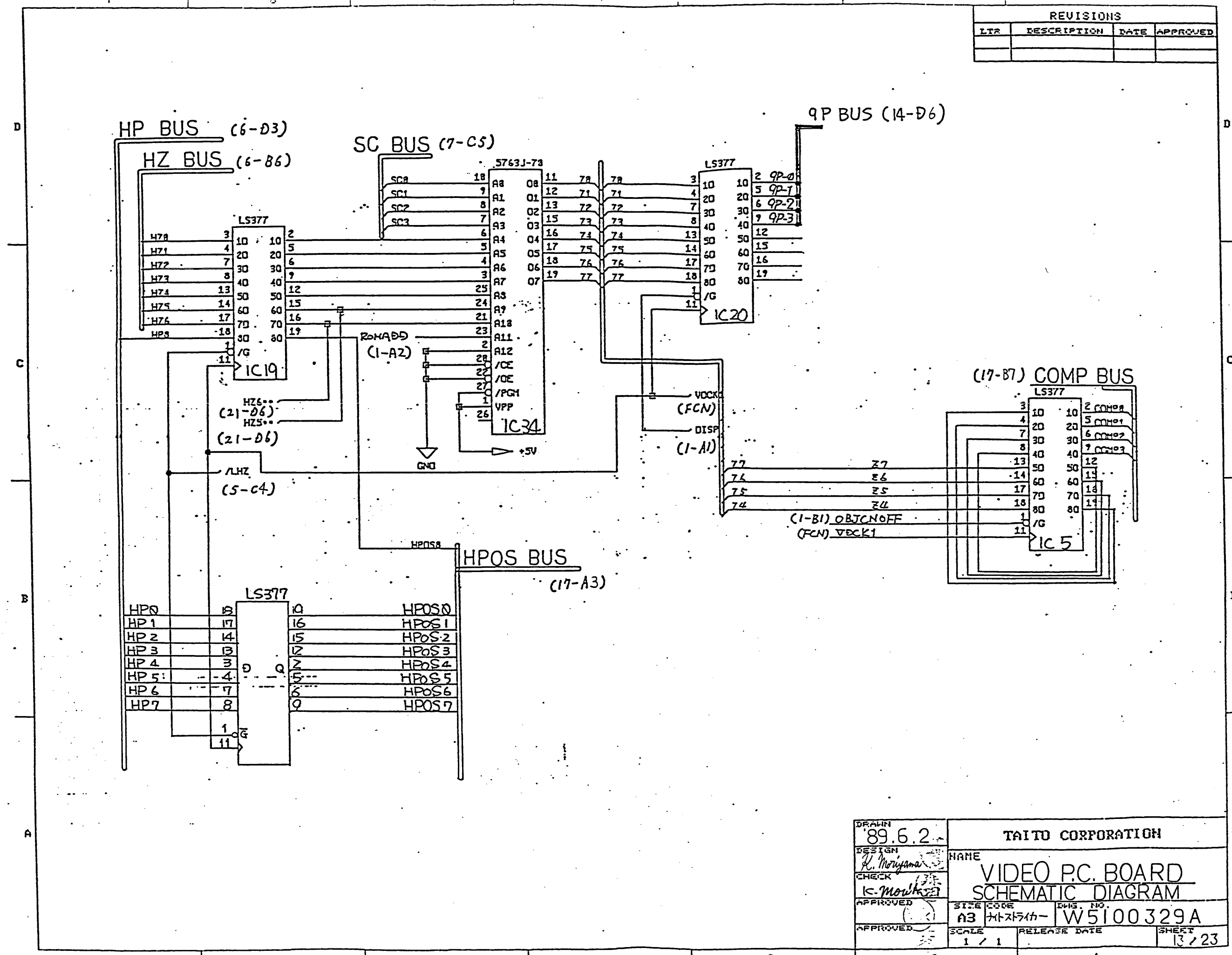


(FCH) UDCK0
 (5-3C) HINU**

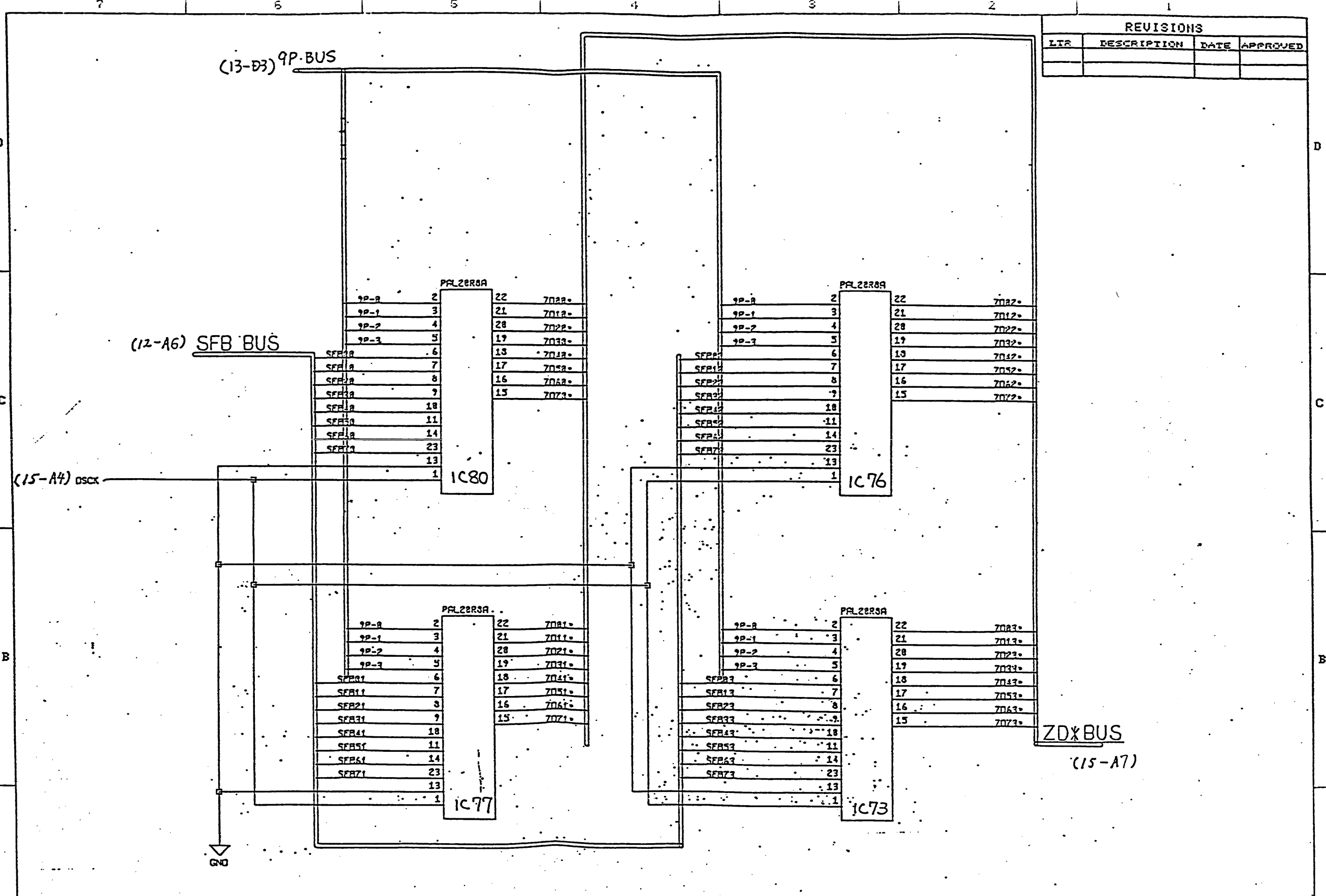
(14-6C) SFB-BUS

DRAWN 89.6.2	TAITO CORPORATION	
DESIGN <i>R. Moriyama</i>	NAME VIDEO P.C. BOARD	
CHECK <i>K. Miyata</i>	SCHEMATIC DIAGRAM	
APPROVED <i>[Signature]</i>	SIZE CODE A3	DWS NO. W5100329A
APPROVED <i>[Signature]</i>	SCALE 1 / 1	RELEASE DATE 12 / 23

REVISIONS			
LTR	DESCRIPTION	DATE	APPROVED



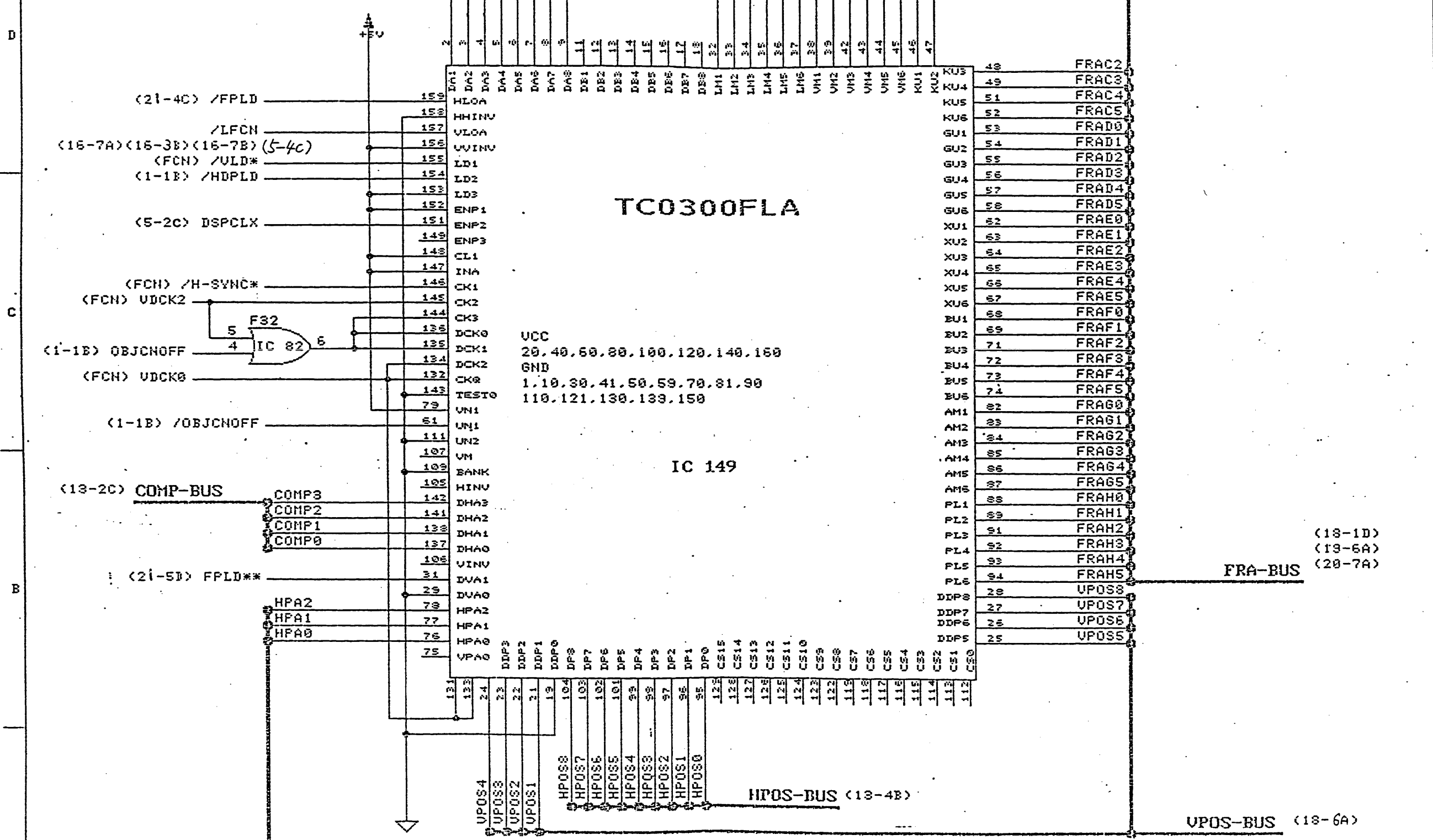
DRAWN 89.6.2	TAITU CORPORATION		
DESIGN K. Moriyama	NAME VIDEO P.C. BOARD		
CHECK K. Moriyama	SCHEMATIC DIAGRAM		
APPROVED	SIZE CODE A3	DES. NO. W5100329A	
APPROVED	SCALE 1/1	RELEASE DATE	SHEET 13/23



REVISIONS			
LTR	DESCRIPTION	DATE	APPROVED

DRAWN 89.6.2	TAITU CORPORATION		
DESIGN <i>R. Moriyama</i>	NAME	VIDEO P.C. BOARD	
CHECK <i>K. Morita</i>	APPROVED	SCHEMATIC DIAGRAM	
APPROVED	SIZE CODE A3	DWG. NO. W5100329A	
APPROVED	SCALE 1 / 1	RELEASE DATE	SHEET 14 / 23

REVISIONS			
LTR	DESCRIPTION	DATE	APPROVED



DESIGN <i>K. Moriyama</i> CHECK <i>K. Moriyama</i> APPROVED APPROVED 	DRAIN 89.6.2 TAITO CORPORATION NAME VIDEO P.C. BOARD SCHEMATIC DIAGRAM SIZE CODE A3 SCALE 1/1	DES. NO. W5100329A RELEASE DATE 7-1-21-77 SHEET 17/23
---	---	---

REVISIONS			
LT#	DESCRIPTION	DATE	APPROVED

PD43256

FRA08	18	A8	08	11	FRO08
FRA01	9	A1	01	12	FRO01
FRA02	8	A2	02	13	FRO02
FRA03	7	A3	03	15	FRO03
FRA04	6	A4	04	16	FRO04
FRA05	5	A5	05	17	FRO05
FRA06	4	A6	06	18	FRO06
FRA07	3	A7	07	19	FRO07
FRA08	25	A8			
FRA09	24	A9			
FRA10	21	A10			
FRA11	23	A11			
FRA12	2	A12			
FRA13	26	A13			
FRA14	1	A14			
FRA15	27	/WE			
FRA16	22	/OE			
FRA17	28	/CS			

IC2

PD43256

FRA08	18	A8	08	11	FRO08
FRA01	9	A1	01	12	FRO01
FRA02	8	A2	02	13	FRO02
FRA03	7	A3	03	15	FRO03
FRA04	6	A4	04	16	FRO04
FRA05	5	A5	05	17	FRO05
FRA06	4	A6	06	18	FRO06
FRA07	3	A7	07	19	FRO07
FRA08	25	A8			
FRA09	24	A9			
FRA10	21	A10			
FRA11	23	A11			
FRA12	2	A12			
FRA13	26	A13			
FRA14	1	A14			
FRA15	27	/WE			
FRA16	22	/OE			
FRA17	28	/CS			

IC31

PD43256

FRA08	18	A8	08	11	FRO08
FRA01	9	A1	01	12	FRO01
FRA02	8	A2	02	13	FRO02
FRA03	7	A3	03	15	FRO03
FRA04	6	A4	04	16	FRO04
FRA05	5	A5	05	17	FRO05
FRA06	4	A6	06	18	FRO06
FRA07	3	A7	07	19	FRO07
FRA08	25	A8			
FRA09	24	A9			
FRA10	21	A10			
FRA11	23	A11			
FRA12	2	A12			
FRA13	26	A13			
FRA14	1	A14			
FRA15	27	/WE			
FRA16	22	/OE			
FRA17	28	/CS			

IC46

PD43256

FRA08	18	A8	08	11	FRO08
FRA01	9	A1	01	12	FRO01
FRA02	8	A2	02	13	FRO02
FRA03	7	A3	03	15	FRO03
FRA04	6	A4	04	16	FRO04
FRA05	5	A5	05	17	FRO05
FRA06	4	A6	06	18	FRO06
FRA07	3	A7	07	19	FRO07
FRA08	25	A8			
FRA09	24	A9			
FRA10	21	A10			
FRA11	23	A11			
FRA12	2	A12			
FRA13	26	A13			
FRA14	1	A14			
FRA15	27	/WE			
FRA16	22	/OE			
FRA17	28	/CS			

IC17

PD43256

FRA08	18	A8	08	11	FRO08
FRA01	9	A1	01	12	FRO01
FRA02	8	A2	02	13	FRO02
FRA03	7	A3	03	15	FRO03
FRA04	6	A4	04	16	FRO04
FRA05	5	A5	05	17	FRO05
FRA06	4	A6	06	18	FRO06
FRA07	3	A7	07	19	FRO07
FRA08	25	A8			
FRA09	24	A9			
FRA10	21	A10			
FRA11	23	A11			
FRA12	2	A12			
FRA13	26	A13			
FRA14	1	A14			
FRA15	27	/WE			
FRA16	22	/OE			
FRA17	28	/CS			

IC16

PD43256

FRA08	18	A8	08	11	FRO08
FRA01	9	A1	01	12	FRO01
FRA02	8	A2	02	13	FRO02
FRA03	7	A3	03	15	FRO03
FRA04	6	A4	04	16	FRO04
FRA05	5	A5	05	17	FRO05
FRA06	4	A6	06	18	FRO06
FRA07	3	A7	07	19	FRO07
FRA08	25	A8			
FRA09	24	A9			
FRA10	21	A10			
FRA11	23	A11			
FRA12	2	A12			
FRA13	26	A13			
FRA14	1	A14			
FRA15	27	/WE			
FRA16	22	/OE			
FRA17	28	/CS			

IC45

PD43256

FRA08	18	A8	08	11	FRO08
FRA01	9	A1	01	12	FRO01
FRA02	8	A2	02	13	FRO02
FRA03	7	A3	03	15	FRO03
FRA04	6	A4	04	16	FRO04
FRA05	5	A5	05	17	FRO05
FRA06	4	A6	06	18	FRO06
FRA07	3	A7	07	19	FRO07
FRA08	25	A8			
FRA09	24	A9			
FRA10	21	A10			
FRA11	23	A11			
FRA12	2	A12			
FRA13	26	A13			
FRA14	1	A14			
FRA15	27	/WE			
FRA16	22	/OE			
FRA17	28	/CS			

IC32

PD43256

FRA08	18	A8	08	11	FRO08
FRA01	9	A1	01	12	FRO01
FRA02	8	A2	02	13	FRO02
FRA03	7	A3	03	15	FRO03
FRA04	6	A4	04	16	FRO04
FRA05	5	A5	05	17	FRO05
FRA06	4	A6	06	18	FRO06
FRA07	3	A7	07	19	FRO07
FRA08	25	A8			
FRA09	24	A9			
FRA10	21	A10			
FRA11	23	A11			
FRA12	2	A12			
FRA13	26	A13			
FRA14	1	A14			
FRA15	27	/WE			
FRA16	22	/OE			
FRA17	28	/CS			

IC3

FRA BUS (17-B1)

FRD BUS (15-A3)(16-A4)

DESIGN 89.6.2 K. Moriguchi	TAITO CORPORATION		
CHECK K. Moriguchi	NAME VIDEO P.C. BOARD		
APPROVED	SCHEMATIC DIAGRAM		
APPROVED	SIZE CODE A3	IMS. NO. 711-21511	W5100329A
SCALE 1/1	RELEASE DATE	SHEET 19/23	

D

C

B

A

D

C

B

A

REVISIONS			
LTR	DESCRIPTION	DATE	APPROVED

PD43256

FRA00	18	A8	08	11	FRO00
FRA01	9	A1	01	12	FRO01
FRA02	8	A2	02	13	FRO02
FRA03	7	A3	03	15	FRO03
FRA04	6	A4	04	16	
FRA05	5	A5	05	17	
FRA06	4	A6	06	18	
FRA07	3	A7	07	19	FRO08
FRA08	25	A8			
FRA09	24	A9			
FRA10	21	A10			
FRA11	23	A11			
FRA12	2	A12			
FRA13	26	A13			
FRA14	1	A14			
FRAM0W	27	/WE			
FRAM0F	22	/OE			
FRAMCS	28	/CS			

IC 1

PD43256

FRA00	18	A8	08	11	FRO20
FRA01	9	A1	01	12	FRO21
FRA02	8	A2	02	13	FRO22
FRA03	7	A3	03	15	FRO23
FRA04	6	A4	04	16	
FRA05	5	A5	05	17	
FRA06	4	A6	06	18	
FRA07	3	A7	07	19	FRO28
FRA08	25	A8			
FRA09	24	A9			
FRA10	21	A10			
FRA11	23	A11			
FRA12	2	A12			
FRA13	26	A13			
FRA14	1	A14			
FRAM2W	27	/WE			
FRAM0F	22	/OE			
FRAMCS	28	/CS			

IC 30

PD43256

FRA00	18	A8	08	11	FRO40
FRA01	9	A1	01	12	FRO41
FRA02	8	A2	02	13	FRO42
FRA03	7	A3	03	15	FRO43
FRA04	6	A4	04	16	
FRA05	5	A5	05	17	
FRA06	4	A6	06	18	
FRA07	3	A7	07	19	FRO48
FRA08	25	A8			
FRA09	24	A9			
FRA10	21	A10			
FRA11	23	A11			
FRA12	2	A12			
FRA13	26	A13			
FRA14	1	A14			
FRAM4W	27	/WE			
FRAM0F	22	/OE			
FRAMCS	28	/CS			

IC 47

PD43256

FRA00	18	A8	08	11	FRO60
FRA01	9	A1	01	12	FRO61
FRA02	8	A2	02	13	FRO62
FRA03	7	A3	03	15	FRO63
FRA04	6	A4	04	16	
FRA05	5	A5	05	17	
FRA06	4	A6	06	18	
FRA07	3	A7	07	19	FRO68
FRA08	25	A8			
FRA09	24	A9			
FRA10	21	A10			
FRA11	23	A11			
FRA12	2	A12			
FRA13	26	A13			
FRA14	1	A14			
FRAM6W	27	/WE			
FRAM0F	22	/OE			
FRAMCS	28	/CS			

IC 18

PD43256

FRA00	18	A8	08	11	FRO10
FRA01	9	A1	01	12	FRO11
FRA02	8	A2	02	13	FRO12
FRA03	7	A3	03	15	FRO13
FRA04	6	A4	04	16	
FRA05	5	A5	05	17	
FRA06	4	A6	06	18	
FRA07	3	A7	07	19	FRO18
FRA08	25	A8			
FRA09	24	A9			
FRA10	21	A10			
FRA11	23	A11			
FRA12	2	A12			
FRA13	26	A13			
FRA14	1	A14			
FRAM1W	27	/WE			
FRAM0F	22	/OE			
FRAMCS	28	/CS			

IC 15

PD43256

FRA00	18	A8	08	11	FRO30
FRA01	9	A1	01	12	FRO31
FRA02	8	A2	02	13	FRO32
FRA03	7	A3	03	15	FRO33
FRA04	6	A4	04	16	
FRA05	5	A5	05	17	
FRA06	4	A6	06	18	
FRA07	3	A7	07	19	FRO38
FRA08	25	A8			
FRA09	24	A9			
FRA10	21	A10			
FRA11	23	A11			
FRA12	2	A12			
FRA13	26	A13			
FRA14	1	A14			
FRAM3W	27	/WE			
FRAM0F	22	/OE			
FRAMCS	28	/CS			

IC 44

PD43256

FRA00	18	A8	08	11	FRO50
FRA01	9	A1	01	12	FRO51
FRA02	8	A2	02	13	FRO52
FRA03	7	A3	03	15	FRO53
FRA04	6	A4	04	16	
FRA05	5	A5	05	17	
FRA06	4	A6	06	18	
FRA07	3	A7	07	19	FRO58
FRA08	25	A8			
FRA09	24	A9			
FRA10	21	A10			
FRA11	23	A11			
FRA12	2	A12			
FRA13	26	A13			
FRA14	1	A14			
FRAM5W	27	/WE			
FRAM0F	22	/OE			
FRAMCS	28	/CS			

IC 33

PD43256

FRA00	18	A8	08	11	FRO70
FRA01	9	A1	01	12	FRO71
FRA02	8	A2	02	13	FRO72
FRA03	7	A3	03	15	FRO73
FRA04	6	A4	04	16	
FRA05	5	A5	05	17	
FRA06	4	A6	06	18	
FRA07	3	A7	07	19	FRO78
FRA08	25	A8			
FRA09	24	A9			
FRA10	21	A10			
FRA11	23	A11			
FRA12	2	A12			
FRA13	26	A13			
FRA14	1	A14			
FRAM7W	27	/WE			
FRAM0F	22	/OE			
FRAMCS	28	/CS			

IC 4

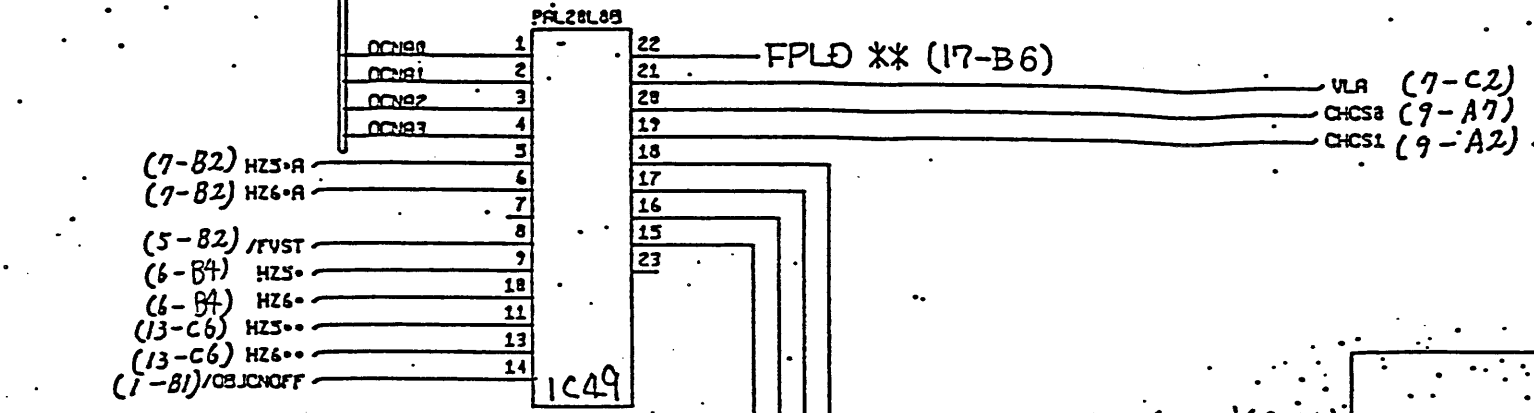
FRA BUS (17-B1)

FRD BUS (15-A3)(16-A4)

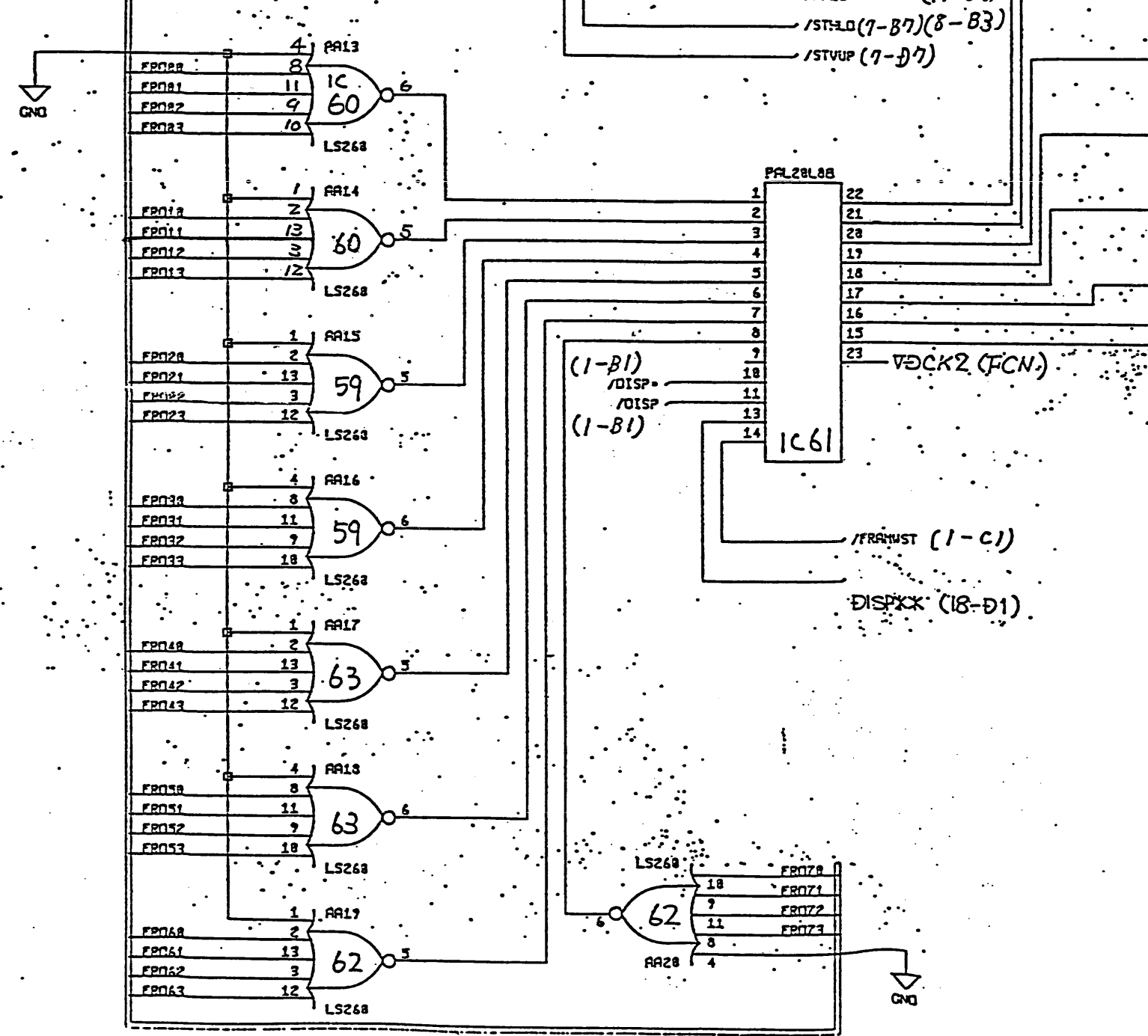
DRAWN 89.6.2	TAITO CORPORATION		
DESIGN K. Miyama	NAME VIDEO P.C. BOARD		
CHECK K. Morita	SCHEMATIC DIAGRAM		
APPROVED ()	SITE CODE A3 木下51カ-	DWG. NO. W5100329A	
APPROVED	SCALE 1/1	RELEASE DATE	SHEET 20/23

REVISIONS			
LT#	DESCRIPTION	DATE	APPROVED

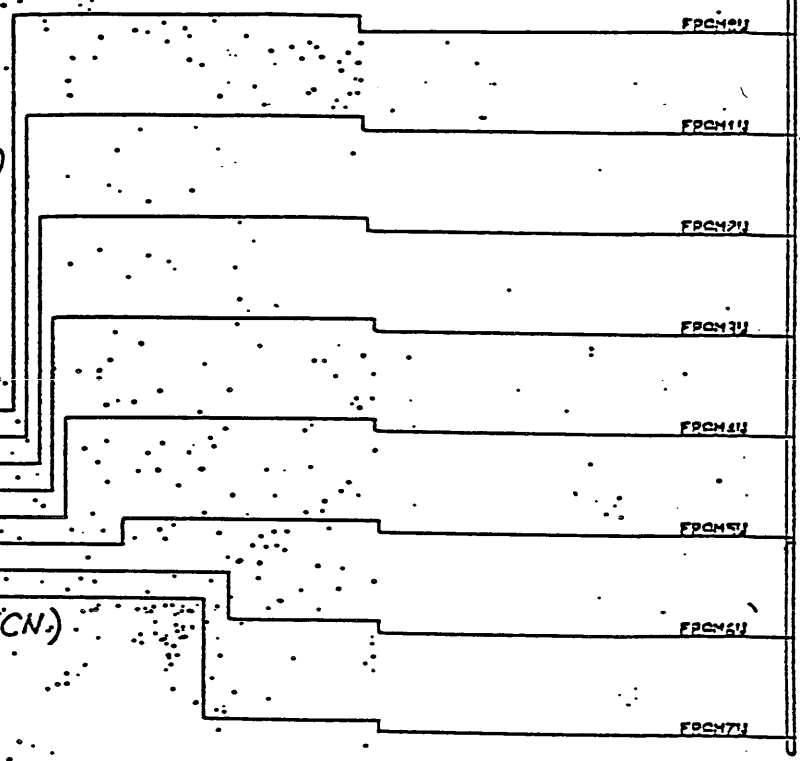
(2-03) OCNA BUS



FRD BUS (15-A3)(16-A4)



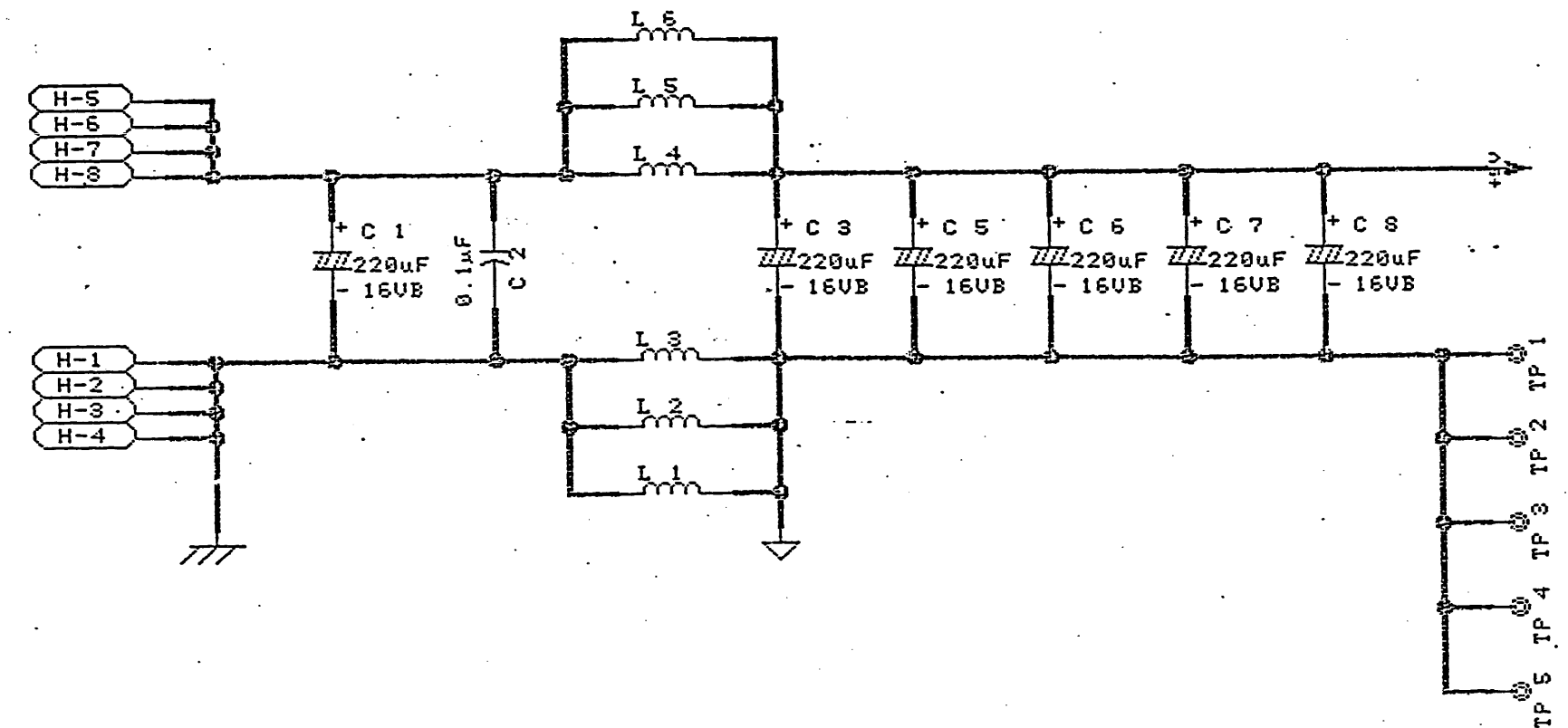
FRA BUS (17-B1)



89.6.2	TAITU CORPORATION		
DESIGN K. Morigami	NAME	VIDEO P.C. BOARD	
CHECK K. Morigami	SCHEMATIC DIAGRAM		
APPROVED (Signature)	SIZE CODE A3	DWG. NO. W5100329A	
APPROVED (Signature)	SCALE 1/1	RELEASE DATE	SHEET 21/23

7 6 5 4 3 2 1

REVISIONS			
LTP	DESCRIPTION	DATE	APPROVED



DRAWN 89.6.2	TAITO CORPORATION		
DESIGN K. Moriyama	NAME	VIDEO P.C. BOARD	
CHECK K. Moriyama	SCHEMATIC DIAGRAM		
APPROVED (Signature)	SIZE CODE A3	DWG. NO. 711-21511-1W5100329A	
APPROVED (Signature)	SCALE 1/1	RELEASE DATE	SHEET 22/23

7 6 5 4 3 2 1

REVISIONS			
LTR	DESCRIPTION	DATE	APPROVED

MOLEX 5272-12

E-CONNECTER			
+5V	E-1	E-2	OD0
+5V	E-3	E-4	OD1
+5V	E-5	E-6	OD2
+5V	E-7	E-8	OD3
+5V	E-9	E-10	OD4
GND	E-11	E-12	OD5
GND	E-13	E-14	OD6
GND	E-15	E-16	OD7
GND	E-17	E-18	OD8
GND	E-19	E-20	OD9
GND	E-21	E-22	OD10
GND	E-23	E-24	OD11
GND	E-25	E-26	OD12
GND	E-27	E-28	OD13
GND	E-29	E-30	OD14
GND	E-31	E-32	OD15
GND	E-33	E-34	OA1
GND	E-35	E-36	OA2
GND	E-37	E-38	OA3
GND	E-39	E-40	OA4
GND	E-41	E-42	OA5
GND	E-43	E-44	OA6
GND	E-45	E-46	OA7
GND	E-47	E-48	OA8
GND	E-49	E-50	OA9
+5V	E-51	E-52	OA10
+5V	E-53	E-54	OR/W
+5V	E-55	E-56	OLDS
+5V	E-57	E-58	OUDS
+5V	E-59	E-60	

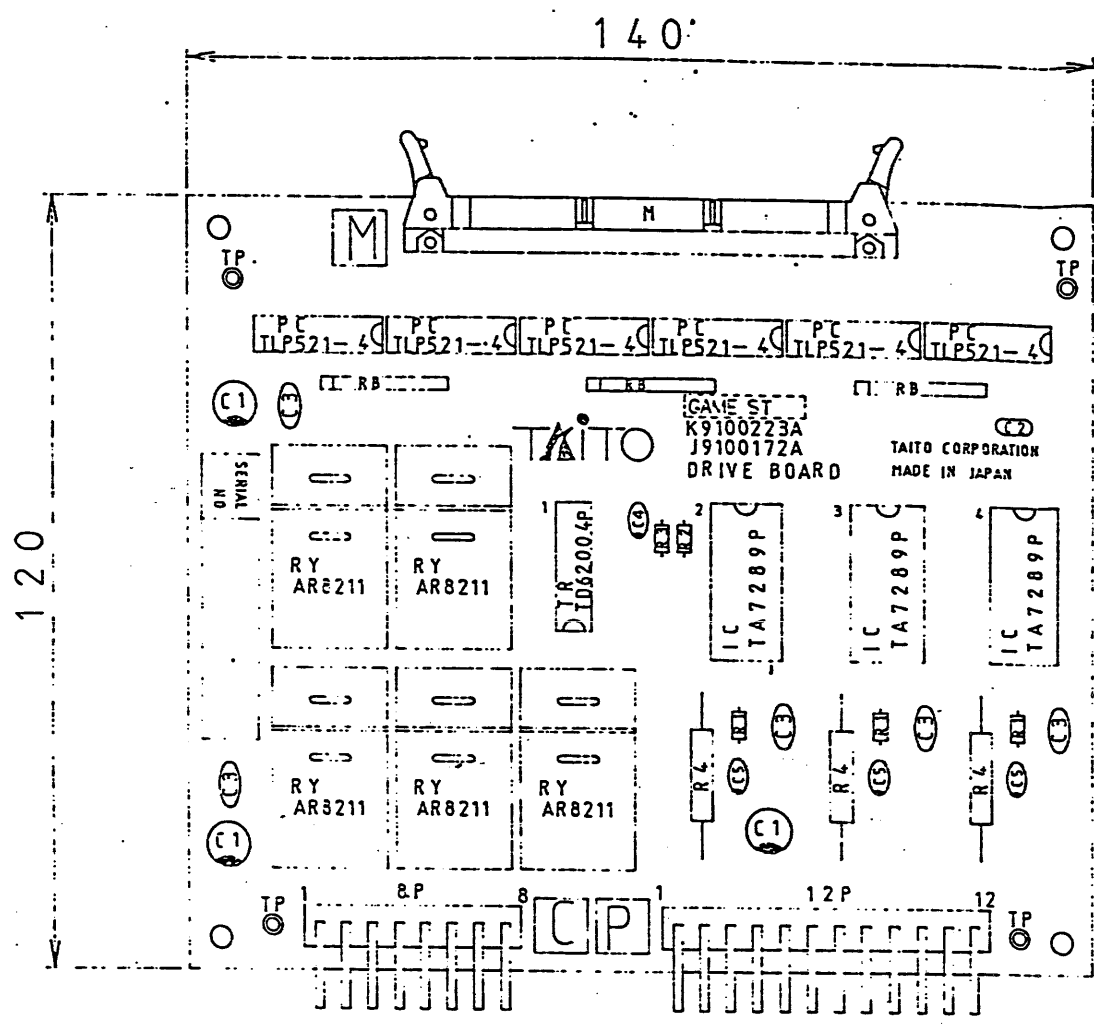
F-CONNECTER			
+5V	F-1	F-2	QBB0
+5V	F-3	F-4	OBB1
+5V	F-5	F-6	OBB2
+5V	F-7	F-8	OBB3
GND	F-9	F-10	OBB4
GND	F-11	F-12	OBB5
GND	F-13	F-14	OBB6
GND	F-15	F-16	OBB7
GND	F-17	F-18	OBB8
GND	F-19	F-20	OBB9
GND	F-21	F-22	OBB10
GND	F-23	F-24	OBB11
GND	F-25	F-26	OBB12
GND	F-27	F-28	
GND	F-29	F-30	UDCK0
GND	F-31	F-32	UDCK1
GND	F-33	F-34	UDCK2
GND	F-35	F-36	UDCK0*
GND	F-37	F-38	
GND	F-39	F-40	/H-SYNC*
GND	F-41	F-42	
GND	F-43	F-44	/HLD*
GND	F-45	F-46	/VLD*
GND	F-47	F-48	
GND	F-49	F-50	
GND	F-51	F-52	
+5V	F-53	F-54	OBJCS
+5V	F-55	F-56	OBJDTA
+5V	F-57	F-58	
+5V	F-59	F-60	

H-CONNECTER	
GND	H-1
GND	H-2
GND	H-3
GND	H-4
+5V	H-5
+5V	H-6
+5V	H-7
+5V	H-8
POST	H-9
	H-10
	H-11
	H-12

DRAWN 89.6.2	TAITO CORPORATION		
DESIGN K. Moriyasu	NAME VIDEO P.C. BOARD		
CHECK K. Maikou	SCHEMATIC DIAGRAM		
APPROVED (Signature)	SIZE A3	CODE テト.ジ.3711	DIS. NO. W5100329A
APPROVED (Signature)	SCALE 1 / 1	RELEASE DATE	SHEET 23 / 23

REVISIONS			
LTR	DESCRIPTION	DATE	APPROVED

1.6.19
技術課

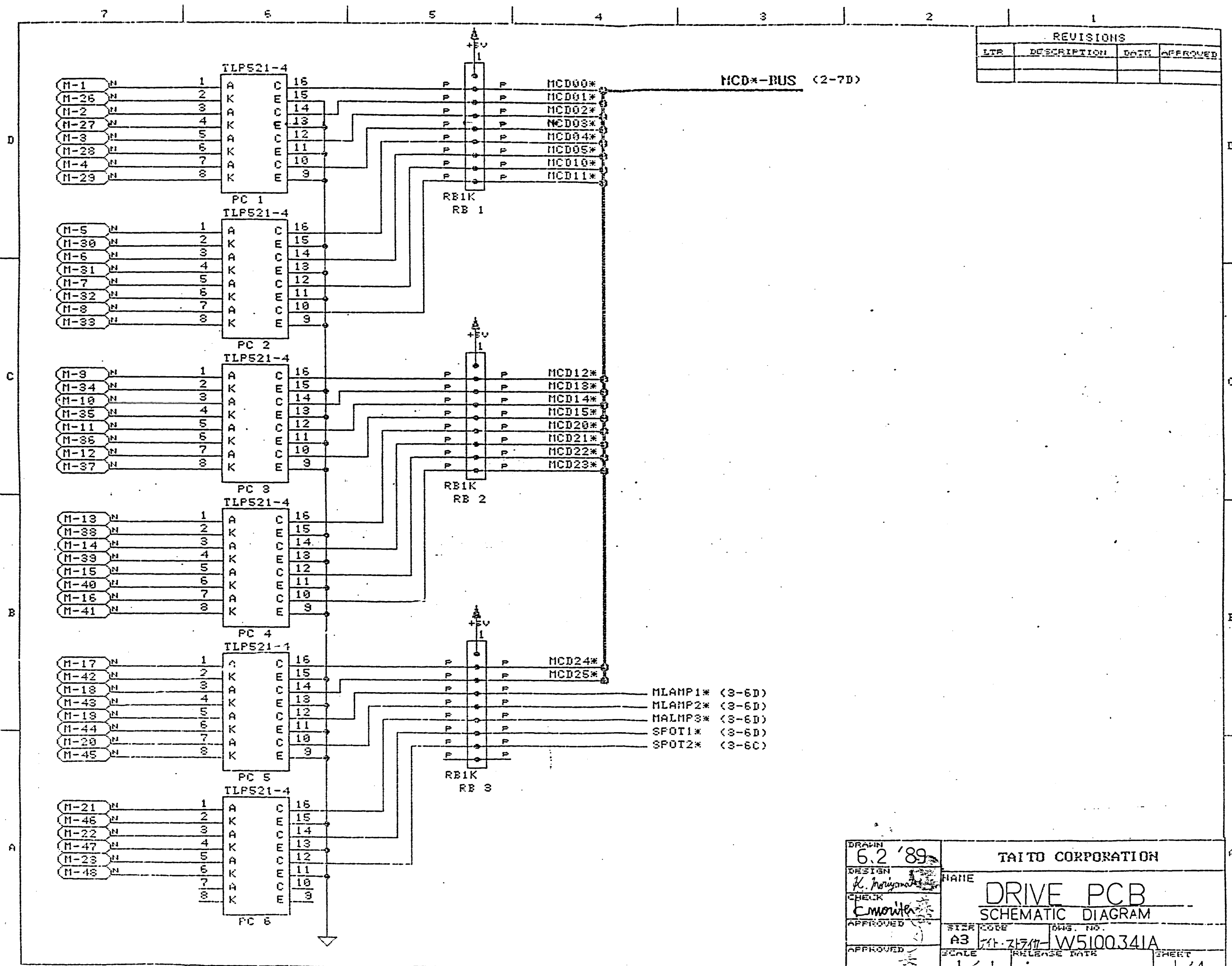


- COMMON MARK
- RES. NETWORK
- CATHODE MARK
- ELEC. BLOCK
- TANT. DIP
- CAP. FILM
- CAP. CERAMIC

NOTE 1. SYMBOL MARK

54				
53				
52				
51				
50				
49				
48				
47				
46				
45				
44				
43				
42				
41				
40				
39				
38				
37				
36				
35				
34				
33		GAME STICKER	(K9100223A)	1
32	TP	C0600403A	TEST POINT CHIP L=7.8	4
31				
30	M	C0510565A	ANGLE PIN HEADER MIL HIF3BA50	1
29	12P	C0500034A	POST HEADER-12P 5272-12 (SIDE)	1
28	8P	C0500030A	POST HEADER-8P 5272-8 (SIDE)	1
27				
26	RY	C0100276A	RELAY AR8211	4 5
25				
24	IC	B1722761A	MOTOR DRIVER TA7289P	3
23				
22	PC	A9000150A	PHOTO COUPLER TLP521-4	6
21				
20	RB	A2231065A	RES BLOCK 1K 1/8W 8E	3
19				
18	R4	A2212001A	RES OXIDE 1 OHM 3W ±5%	3
17				
16	R3	A2004089A	RES CARBON 10K OHM 1/6W ±5%	1
15	R2	A2004065A	RES CARBON 1K OHM 1/6W ±5%	1
14	R1	A2004048A	RES CARBON 200 OHM 1/6W ±5%	3
13				
12	C5	A1320311A	CAP TANT DIP 16V 2.2µF	3
11	C4	A1320307A	CAP TANT DIP 16V 1µF	1
10				
9	C3	A1200123A	CAP CERAMIC 25V 100000p	5
8				
7	C2	A1100159A	CAP FILM 50V 33000p	1
6				
5	C1	A1000135A	CAP ELEC BLOCK 16V 220µF	3
4				
3	TR	A0100305A	TRANSISTOR ARRAY TC62004P	1
2				
1		J9100172A	DRIVE BOARD 140X120	1
ITEM NO.	SYM	PART OR IDENTIFYING NO.	NOMENCLATURE OR DESCRIPTION	QTY RECD

DATE	6.5.89	TAITO CORPORATION
DESIGN	F. Kanda	NAME
CHECK	K. Mochida	DRIVE BOARD ASSY
APPROVED		
SIZE	A2	CODE IDENT. NO.
	NIGHT STRIKER	QTY. NO.
		K9100223A



REVISIONS			
LT#	DESCRIPTION	DATE	APPROVED

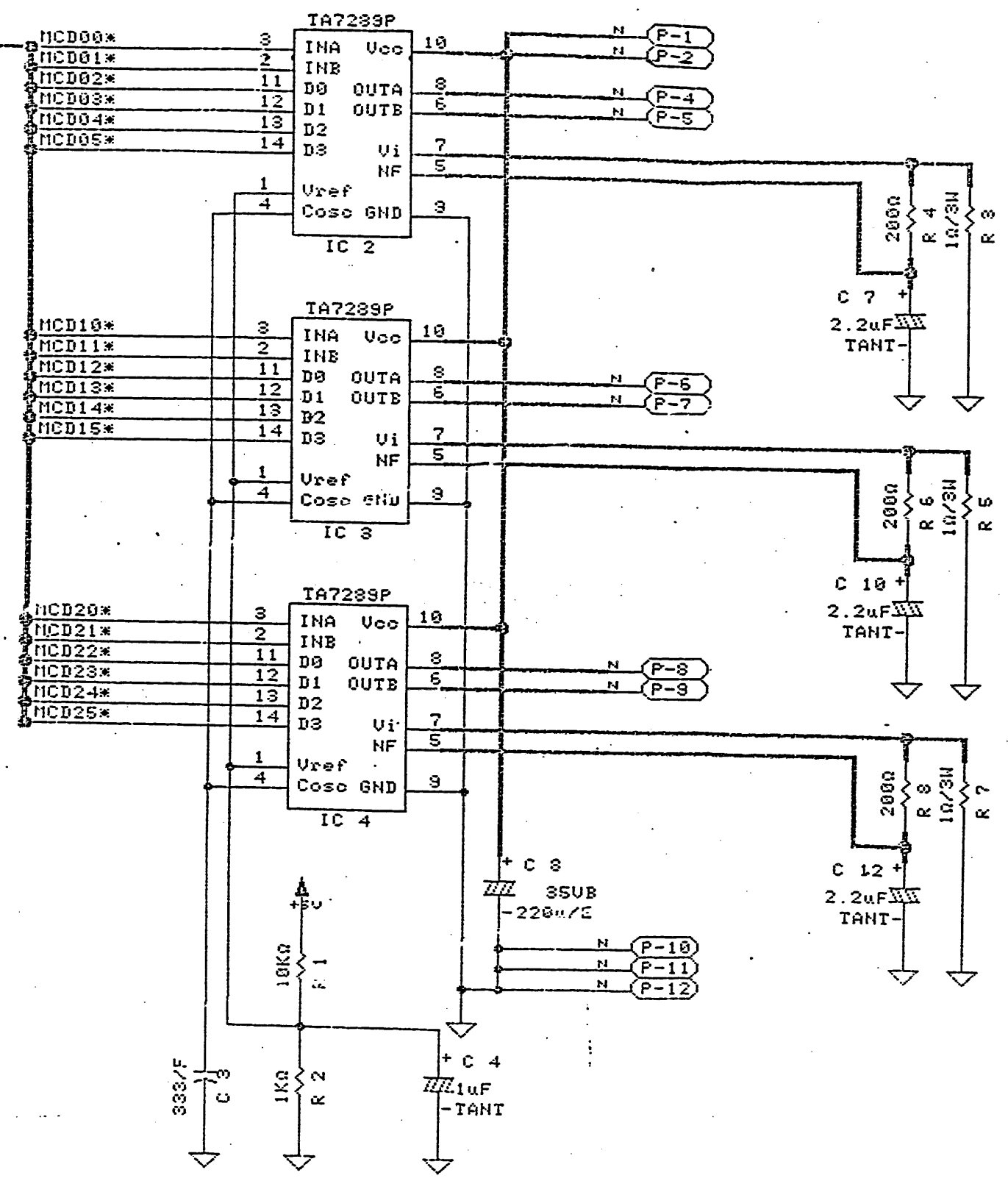
DRAWN 6.2 '89	TAITO CORPORATION		
DESIGN <i>K. Inoue</i>	NAME DRIVE PCB	Schematic Diagram	
CHECK <i>C. Morita</i>	SIZE CODE A3	DES. NO. 711-71711-W5100341A	SHEET 1/4
APPROVED <i>[Signature]</i>	SCALE 1/1	RELEASE DATE	

REVISIONS			
LTR	DESCRIPTION	DATE	APPROVED

(1-SD)

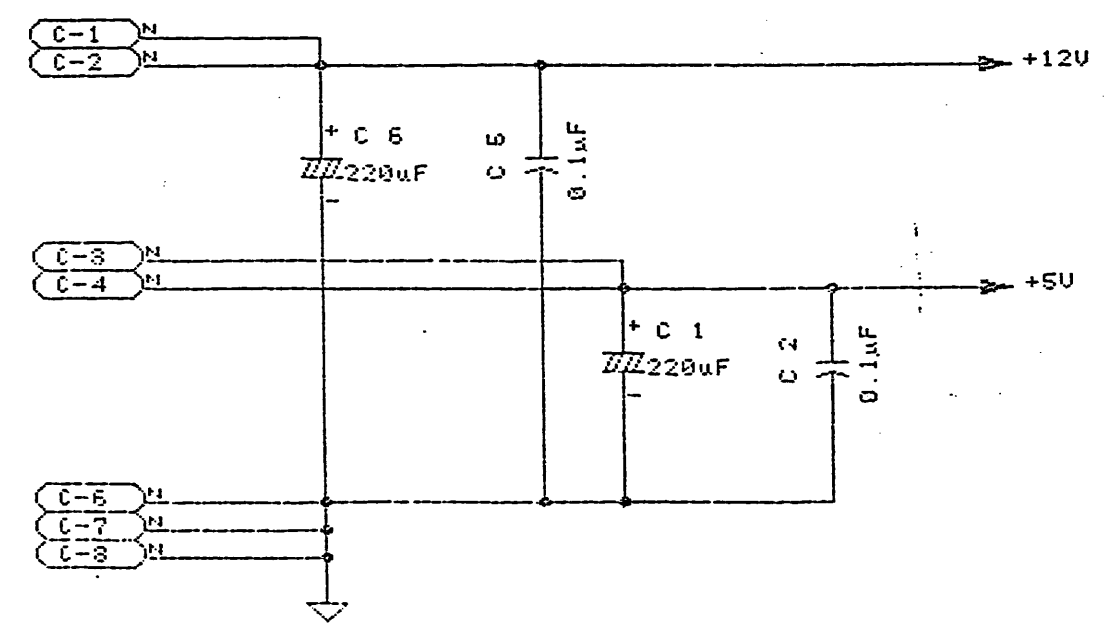
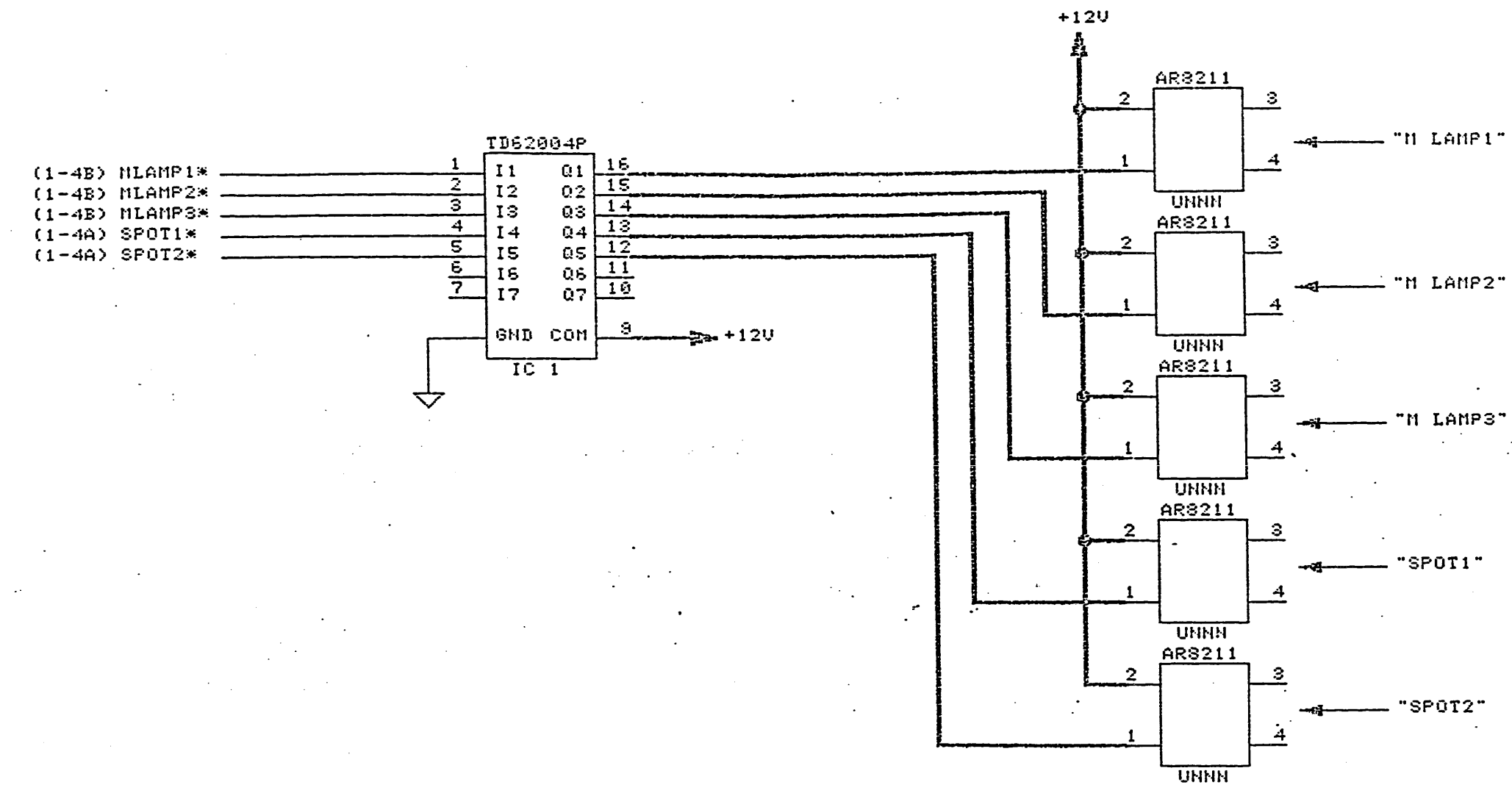
MCD*-BUS

D
C
B
A



DRAWN 6.2 '89	TAITO CORPORATION		
DESIGN K. Moriyama	NAME	DRIVE PCB	
CHECK K. Moriyama	SCHEMATIC DIAGRAM		
APPROVED	SIZE CODE A3	DWG. NO. 71-21711-W5100.341A	
APPROVED	SCALE 1/1	RELEASE DATE	SHEET 2/4

REVISIONS			
LTR	DESCRIPTION	DATE	APPROVED



DATE	6.2 '89	TAITO CORPORATION	
DESIGN	K. Moriyama	NAME	DRIVE PCB
CHECK	K. Moriyama	SCHEMATIC DIAGRAM	
APPROVED		SIZE CODE	DWS. NO.
APPROVED		A3	711-21711-W5100341A
SCALE	1/1	RELEASE DATE	
			SHEET 3/4

REVISIONS			
LTP	DESCRIPTION	DATE	APPROVED

ANGLE-PIHEADER 50PIN

M - CONNECTOR			
MCD00	1	26	GND
MCD01	2	27	GND
MCD02	3	28	GND
MCD03	4	29	GND
MCD04	5	30	GND
MCD05	6	31	GND
MCD10	7	32	GND
MCD11	8	33	GND
MCD12	9	34	GND
MCD13	10	35	GND
MCD14	11	36	GND
MCD15	12	37	GND
MCD20	13	38	GND
MCD21	14	39	GND
MCD22	15	40	GND
MCD23	16	41	GND
MCD24	17	42	GND
MCD25	18	43	GND
MLAMP1	19	44	GND
MLAMP2	20	45	GND
MLAMP3	21	46	GND
SPOT1	22	47	GND
SPOT2	23	48	GND
GND	24	49	GND
GND	25	50	GND

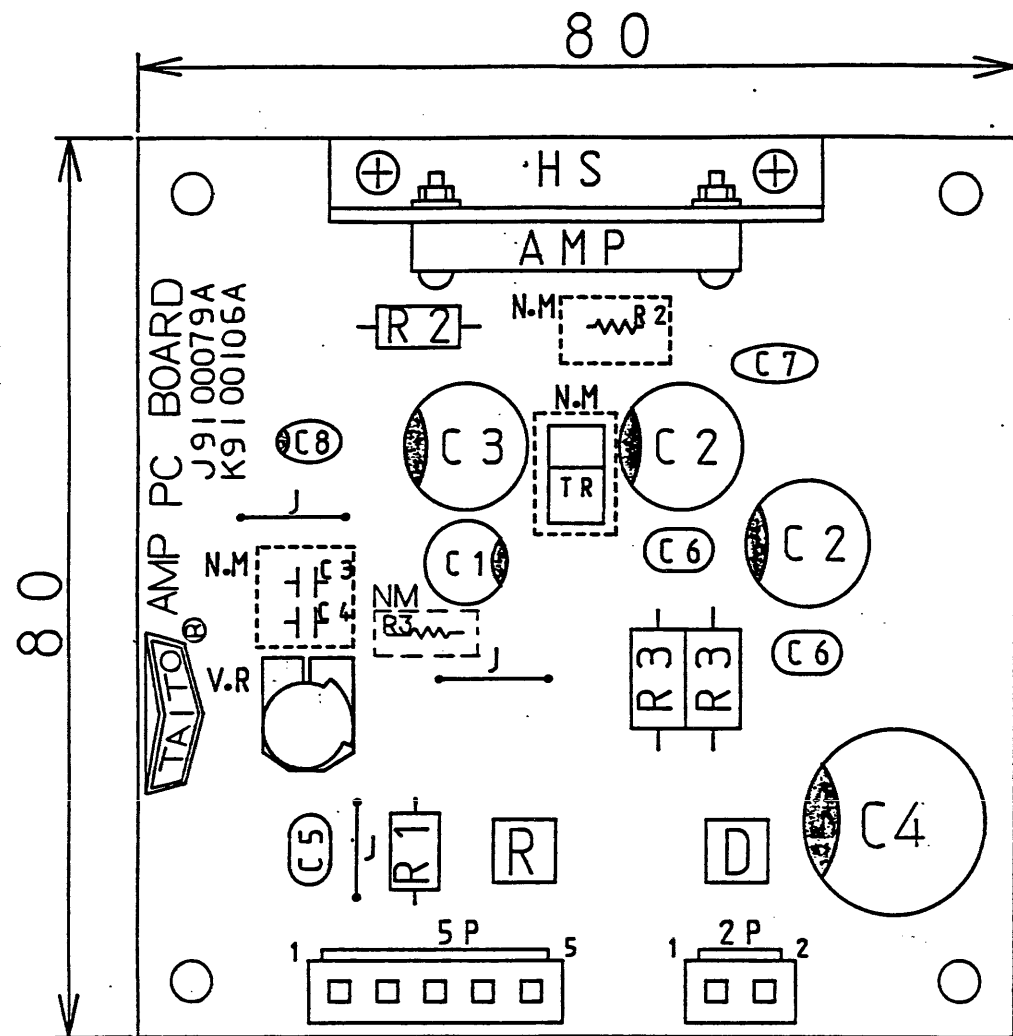
MOLEX 5272-8

C-CONNECTOR	
+12V	1
+12V	2
+5V	3
+5V	4
POST	5
GND	6
GND	7
GND	8

MOLEX 5272-12

P-CONNECTOR	
+24V	1
+24V	2
POST	3
MOTOR1(+)	4
MOTOR1(-)	5
MOTOR2(+)	6
MOTOR2(-)	7
MOTOR3(+)	8
MOTOR3(-)	9
GND	10
GND	11
GND	12

DRAWN 6.2 '89	TAITO CORPORATION		
DESIGN <i>K. Moriyama</i>	NAME	DRIVE PCB	
CHECK <i>E. Morita</i>	SCHEMATIC DIAGRAM		
APPROVED (Signature)	SIZE CODE A3	DWG. NO. 71-21711-W5100341A	
APPROVED (Signature)	SCALE 1/1	RELEASE DATE	SHEET 4/4



41				
40				
39				
38				
37				
36				
35				
34				
33				
32				

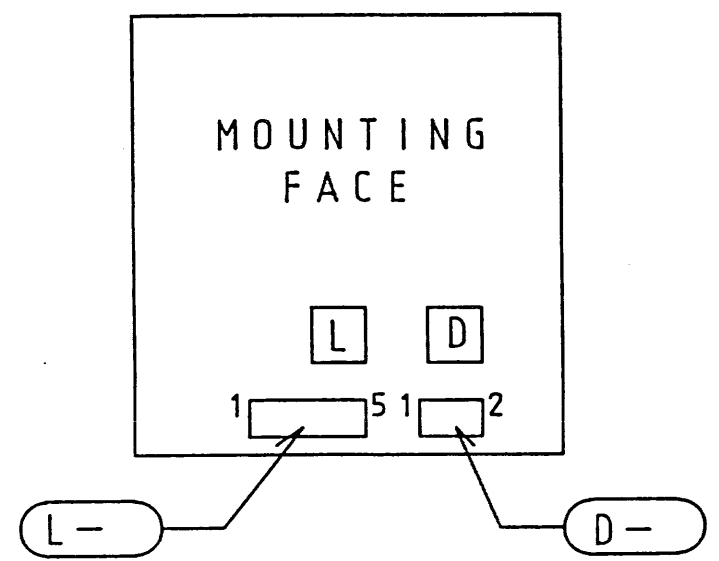
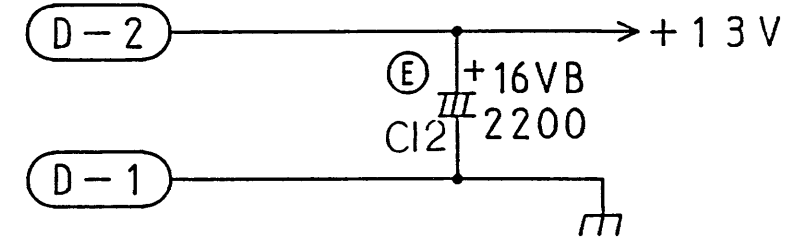
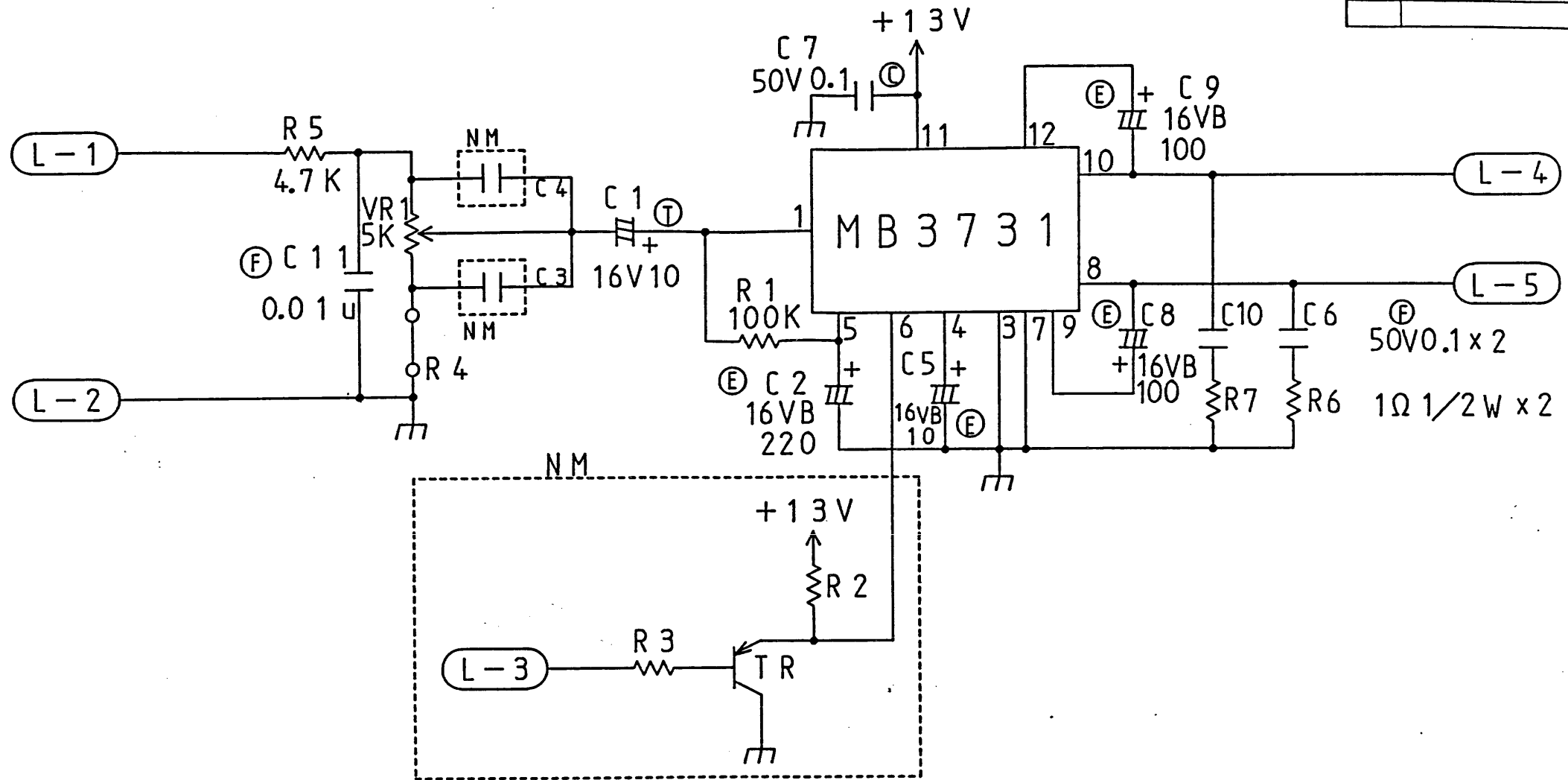
REVISIONS			
LTR	DESCRIPTION	DATE	APPROVED

31	J	C0700261A	TINNED COPPER WIRE	Φ=0.75	40m	
30						
29	5P	C0500166A	VH POST HEADER	TOP	5P	1
28	2P	C0500163A	VH POST HEADER	TOP	2P	1
27						
26		P2600006A	FLANGE NUT	M3		2
25		P0600023A	PAN HD SCREW	M3x10		2
24	HS	A9000185A	HEAT SINK PANEL			1
23		P2600006A	FLANGE NUT	M3		2
22		P0600023A	PAN HD SCREW	M3x10		2
21	AMP	B17Z1606A	POWER AMP	MB3731		1
20						
19	VR	A2102411A	VR PSET	B5K		1
18						
17	R3	A2000470A	RES., CARBON	10HM/2W±5%		2
16	R2	A2000113A	RES., CARBON	100KOHM/4W±5%		1
15	R1	A2000082A	RES., CARBON	5.1KOHM/4W±5%		1
14						
13	C8	A1320319A	TANT., DIP	16V10		1
12						
11	C7	A1200317A	CAP., CERAMIC	50V104		1
10						
9	C6	A1100170A	CAP., FILM	TDY IH 104		2
8	C5	A1100147A	CAP., FILM	TDY-IH-103		1
7						
6	C4	A1000194A	ELEC., BLOCK	25VB2200		1
5	C3	A1000135A		16VB220		1
4	C2	A1000131A		16VB100		2
3	C1	A1000119A	ELEC., BLOCK	16VB10		1
2						
1		J9100079A	AMP., PC BOARD			
ITEM NO.	SYM	PART OR IDENTIFYING NO.	NOMENCLATURE OR DESCRIPTION			QTY REQD

PARTS LIST			
THIRD ANGLE PROJECTION		DRAWN	
UNLESS OTHERWISE SPECIFIED DIMENSIONS ARE IN MILLIMETRES TOLERANCES		5.9.87	
GENERAL HOLE DIA ANGLES		DESIGN	
MATERIAL		CHECK	
FINISH		APPROVED	
DO NOT SCALE DRAWING		APPROVED	
		SCALE	
		RELEASE DATE	
		SHEET	

TAITO CORPORATION		
NAME		
AMP PC BOARD Assy		
SIZE	CODE IDENT NO.	DWG. NO.
A3	MIDNIGHT LANDING	K9100106A

REVISIONS			
LTR	DESCRIPTION	DATE	APPROVED



THIRD ANGLE PROJECTION UNLESS OTHERWISE SPECIFIED DIMENSIONS ARE IN MILLIMETRES TOLERANCES GENERAL ± HOLE DIA + ANGLES ±	DRAWN 5.12.87	TAITO CORPORATION		
	DESIGN <i>K. Mukzi</i>	NAME AMP PC BOARD		
	CHECK 5.12.87 <i>J. Sugawara</i>	SCHEMATIC DIAGRAM		
	APPROVED 	SIZE A3	CODE IDENT NO. M10P115HT L-ANDIN4	DWG. NO. W5100191A
DO NOT SCALE DRAWING	APPROVED 	SCALE	RELEASE DATE	SHEET