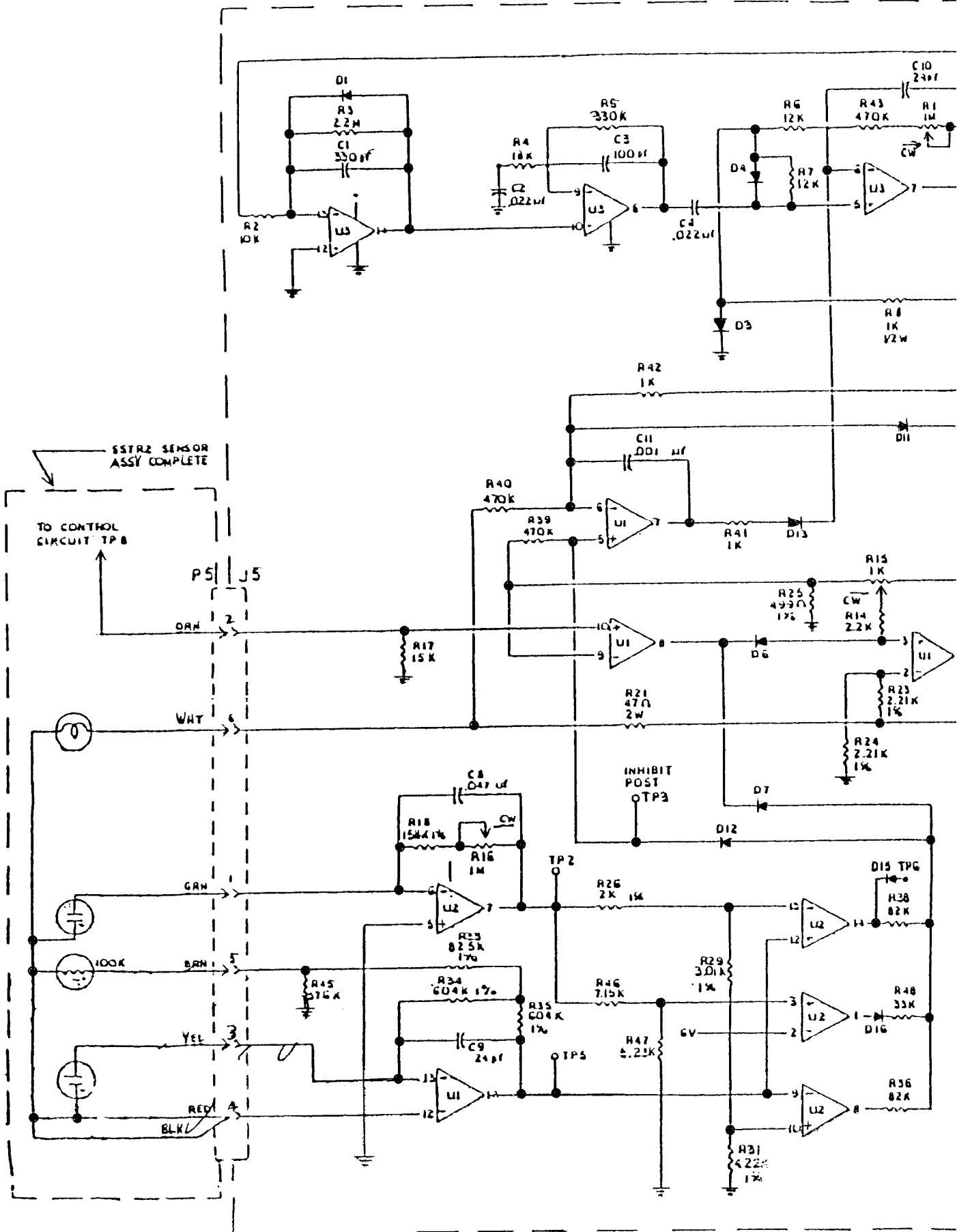


SSTR3

Ardac SSTR3 Parts List

ITEM NUMBER	PART NUMBER	DESCRIPTION
C11	53X9	Capacitor, .001 uf
C2, C4	53X19	Capacitor, .022 uf
C7	53X21	Capacitor, .01 uf
C5	53X39	Capacitor, .68 uf 35 v Tantalum
C1	53X49	Capacitor, 330 pf
C6, C8	53X54	Capacitor, .047 uf
C9, C10	53X55	Capacitor, 24 pf
C3		Capacitor, 100 pf
R16	54X149-105	Potentiometer, 1 Meg, 10 turn
R15	54X65	Potentiometer, 1 k, 10 turn
R1	54X124	Potentiometer, 1 Meg, vertical
R18	54X131-1583	Resistor, 158k, 1/8w, 1%
R26	54X131-2001	Resistor, 2.00k, 1/8w, 1%
R29	54X131-3011	Resistor, 3.01k, 1/8w, 1%
R25	54X131-4990	Resistor, 499 ohm, 1/8w, 1%
R31	54X131-3401	Resistor, 3.40k, 1/8w, 1%
R47	54X131-5231	Resistor, 5.23k, 1/8w, 1%
R45	54X131-5762	Resistor, 57.6k, 1/8w, 1%
R34, R35	54X131-6043	Resistor, 604k, 1/8w, 1%
R46	54X131-8251	Resistor, 8.25k, 1/8w, 1%
R33	54X131-8252	Resistor, 82.5k, 1/8w, 1%
R23, R24	54X131-2211	Resistor, 2.21k, 1/8w, 1%
R19, R21	54X139-470	Resistor, 47 ohm, 2 watt, 5%
R41, R42	54X159-102	Resistor, 1 k, 1/4w, 5%
R2, R44	54X159-103	Resistor, 10k, 1/4w, 5%
R6, R7	54X159-123	Resistor, 12k, 1/4w, 5%
R17	54X159-153	Resistor, 15k, 1/4w, 5%
R4	54X159-183	Resistor, 18k, 1/4w, 5%
R14, R22	54X159-222	Resistor, 2.2k, 1/4w, 5%
R3	54X159-225	Resistor, 2.2 Meg, 1/4w, 5%
R48	54X159-333	Resistor, 33k, 1/4w, 5%
R5	54X159-334	Resistor, 330k, 1/4w, 5%
R12	54X159-471	Resistor, 470 ohm, 1/4w, 5%
R9	54X159-472	Resistor, 4.7k, 1/4w, 5%
R10	54X159-473	Resistor, 47k, 1/4w, 5%
R39, R40, R43	54X159-474	Resistor, 470k, 1/4w, 5%
R11	54X159-822	Resistor, 8.2k, 1/4w, 5%
R36, R38	54X159-823	Resistor, 82k, 1/4w, 5%
R8	54X161-102	Resistor, 1k, 1/2w, 5%
R13	54X161-821	Resistor, 820 ohm, 1/2w, 5%
Q1	56X28	Transistor, TIP31A
Q2	56X52	SCR, 6074
D1, D3, D4, D5, D6, D7, D8		
D11, D12, D13, D14, D15, D16	56X53	Diode, 1N914
D10	56X166	Diode, Zener, 6 volt, 5 watt
U1, U2, U3	56X78	IC, Quad Op Amp, LM324

Schematic, Sensor
Module W/SSTR3



2 x 4740

Schematic, Sensing
Module W/SSTR3

