

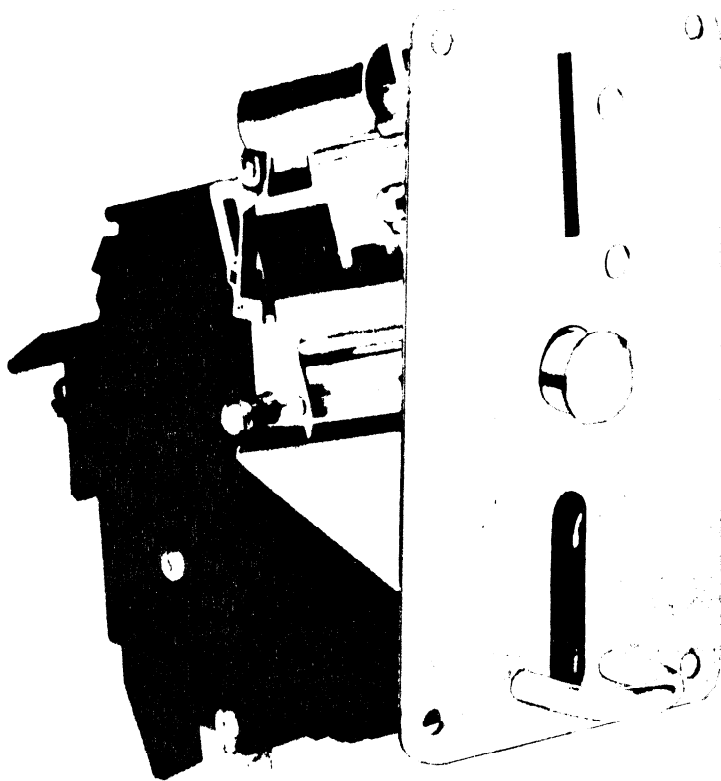
S1 Acceptor

The World's most widely used 'run-down' acceptor.

Complete 'accept-reject' assembly – economical in size/shape. Simple in construction and easy to adjust.

Incorporating Marinyl Switch/Cradle assembly (fitted as standard) providing top security switching system and 'Quick access' terminals.

A robust and jam-resistant unit. Used in gaming, amusement and vending machines.



Track adjustable or preset for all coins/tokens from 17 to 30 mm. dia. Tests for: diameter; thickness; ferrous content; roundness; underweight; washers; tilting; coin-on-cotton; wire and matchstick frauds.

Stainless Steel Frontplate with 1, 2, 3 or 4 entries (as standard); reject button and return outlet.

Coin lockout relay wound for most AC and DC voltages.

Fitted with 'Busy B' bounce resistant coin microswitch.

Outlet guide to direct accepted coins into a vertical path (snap off if not required).

51 Acceptor: Service Information.

The series 1 coin mechanism is the world's most widely used 'run-down' acceptor used for amusement and vending machines. It tests for diameter and thickness, ferrous content, roundness, under weight, washers, tilting, coin-on-cotton, wire and matchstick frauds.

The frontplate is the first check. This prevents entry of oversize, bent or badly distorted coins. The coin passes onto the run-down test track. This is inclined 14° from the horizontal to permit the coins to run down due to gravity, and 5° from the vertical, so as to check for diameter. As the coin enters the track it passes the washer catcher. This has a tooth which engages in the hole in a washer preventing further travel of the washer. At this point, the coin passes an over diameter stop on the adjustable slider, which stops the passage of slightly oversize coins.

If the coin is not over diameter, it passes further to an under diameter check. Here the coin is tilted an extra 4° from vertical against the under diameter ridge on the slider. Under diameter coins fall past this ridge to be rejected.

The base of the track has an under thickness gate where thinner coins fall through to reject. The coin

deflecting cones stop over thickness coins in the track by forcing the coins against the under diameter ridge in the slider. These coins are returned by pressing the reject button which splits the track.

The magnet positioned in the "magnet side" of the run down stops all ferromagnetic blanks. These can be stripped clear by the swinging side, by pressing the reject button. The anti tilt leg prevents cheating the acceptor by tilting the machine to gain acceptance of under diameter coins. If the machine is tilted, the leg swings across the track and prevents entry of all coins.

The final test is in the black marilyn cradle. This incorporates a diameter check in the form of a cradle and weight. Under diameter coins fall straight through the cradle and fail to actuate the microswitch. The coin then passes through an interlock mechanism prior to actuating the microswitch. This interlock prevents "coin-on-cotton" cheating and fishing.

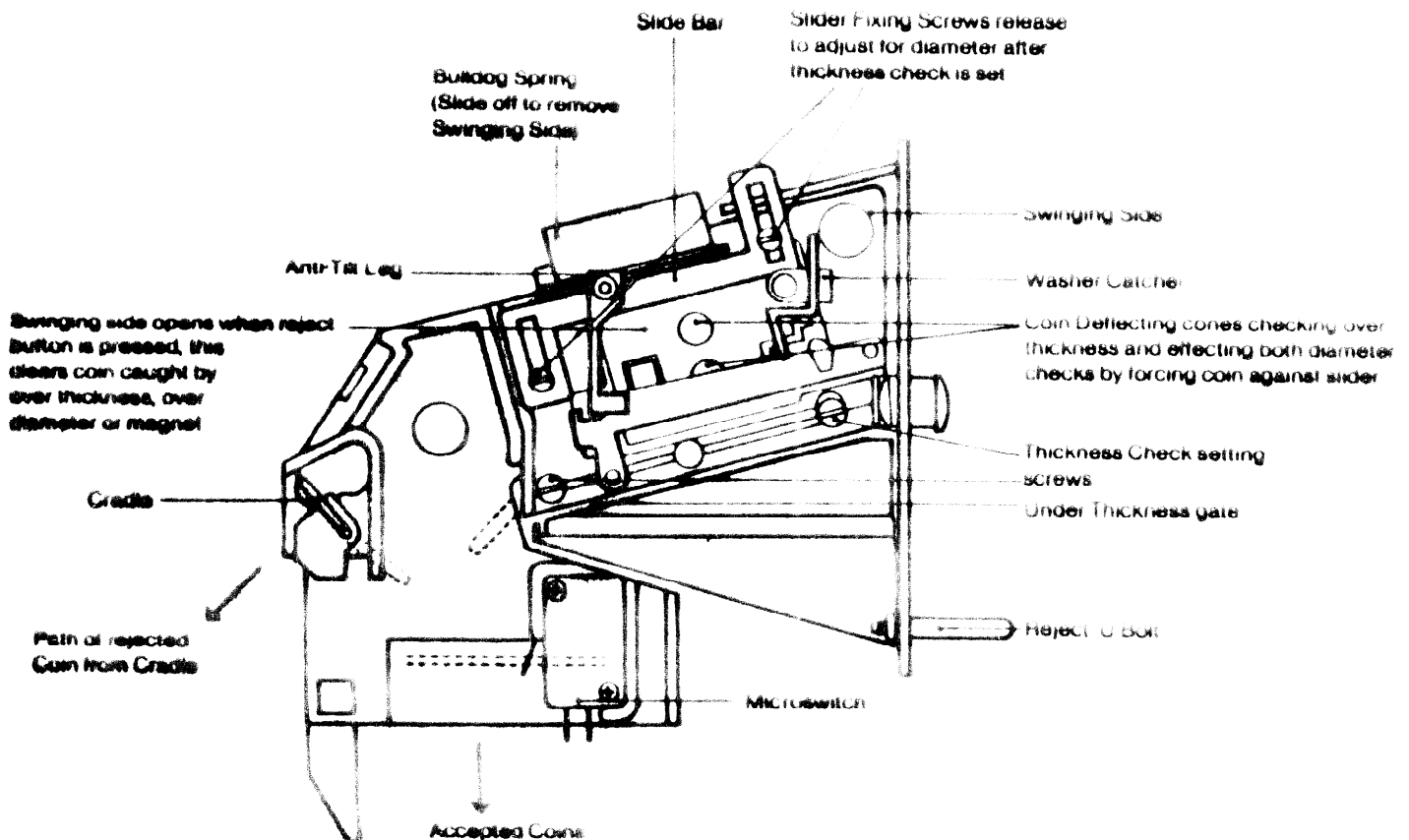
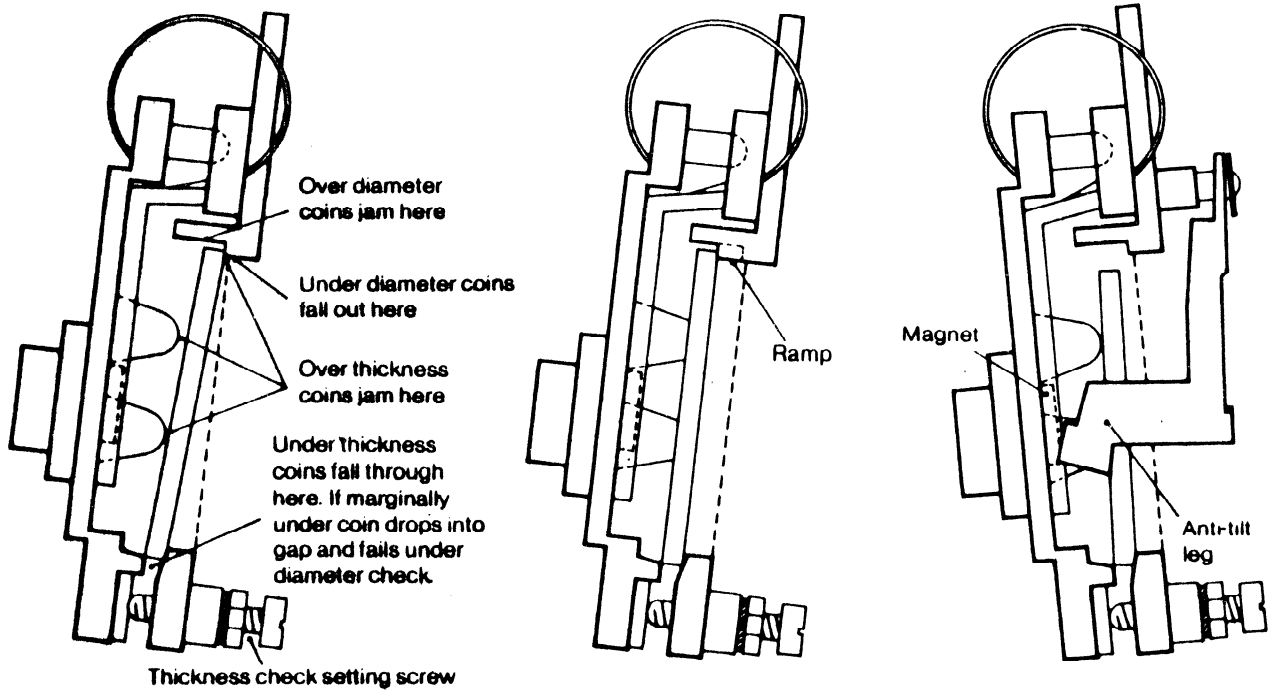


Fig. 1 51 Acceptor

Fig. 2 Dimensional checks.

After dimension checks coin is returned to 5" plane by ramp on slider ready for entry to cradle /switch assembly

Should the dimension check be cheated by tilting the machine the Anti-Tilt Leg swings over to arrest the coin.



Adjustment

The series 1 mechanism can be adjusted both for diameter and thickness. The thickness adjustment is done first as this effects the diameter setting. It is often impossible to do this adjustment whilst the mechanism is still within the machine. It is therefore advisable that a spare fixed side be carried by a Service Engineer, so that the swinging side can be removed from the machine (by removing the bull-dog clip), and temporarily attached to the spare. This will allow the swinging side to be adjusted outside the machine.

Thickness

To adjust the thickness setting, first release the setting screws' locknuts. Place a true coin on the track and adjust the thickness setting to a point where the coin just starts to fall through the coin track at both ends of the track. Before tightening the locknuts, the screws should be withdrawn just sufficient to allow the good coin to ride on the edge of the track at the fixed side.

Diameter

The diameter setting is adjusted by moving the slider. Release the slider fixing screws, and with a true coin, adjust the slider such that it is parallel to the base of the coin track, and just stops the coin from falling out of the side of the run down. Check this at both ends of the track, and if correct, re-tighten the fixing screws.

Check both settings using new and well-worn coins of the correct denomination, and check for rejection of incorrect coins and any problem blanks.

Microswitch

The microswitch accept chute is adjustable to one of four widths. This is factory adjusted to the diameter of the coin being accepted and should not require field adjustment.

The microswitch actuating wire should not catch on the side of the black plastic microswitch bracket. At its resting position, the wire should run along the mid point of a small ridge in this bracket.

The microswitch comes in three different spring tensions – identified by the colour of the plastic boss at the wires pivot point i.e.

Red: Light tension e.g. 1 Aus. Sch. 25c NL.

Black: Medium tension e.g. 2p and other intermediate coins.

White: Heavy tension e.g. 10p, 50p, 5DM.

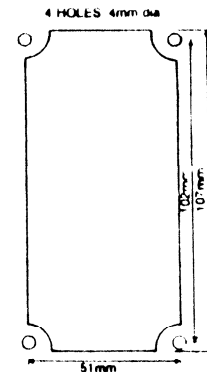
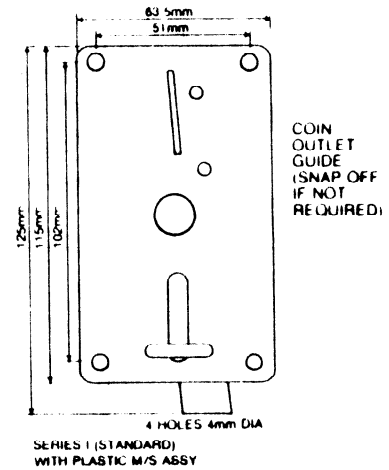
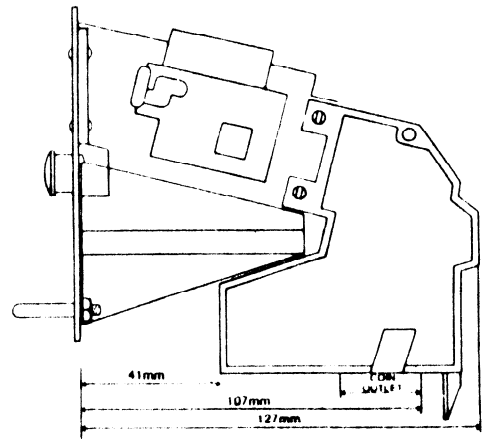
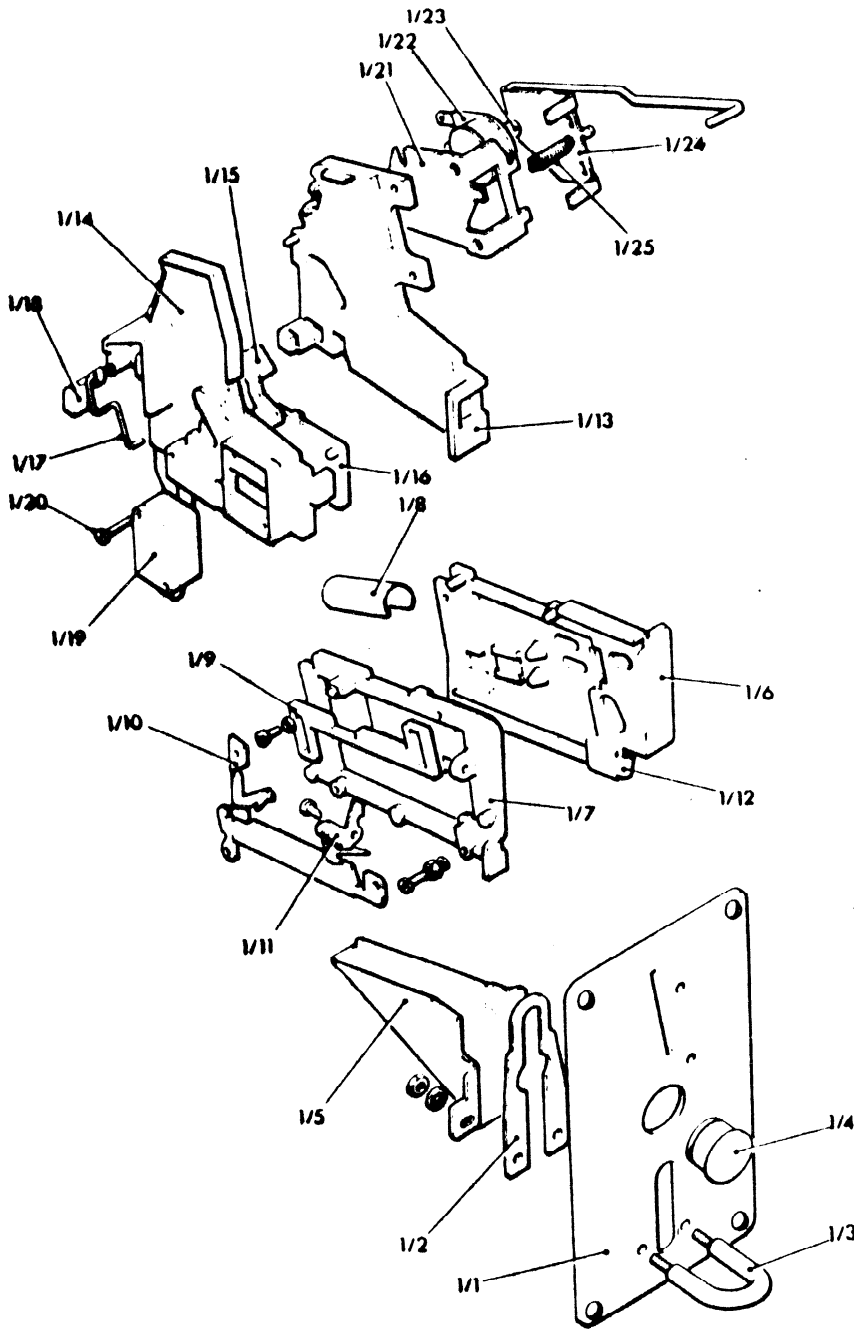
For security reasons, the heaviest possible microswitch is fitted without causing a coin to jam on the switch wire.

Finally, check that the interlock hangs freely as this prevents the coin-on-cotton fiddle.

IF THE ABOVE PROCEDURES ARE NOT SUCCESSFUL, CHECK FOR WORN OR DAMAGED PARTS AND REPLACE WHERE NECESSARY.

S1 Acceptor

Engineering Data and Parts List



CUT OUT TO SUIT SERIES 1 (STANDARD - SINGLE ENTRY)

Parts list

1/1 Front plate (state coinage)	1/10 Anti-tilt leg	1/19 Microswitch (state coinage)
1/2 Button Spring	1/11 Washer catcher	1/20 M/Sw Screws (2)
1/3 U Bolt	1/12 Button Stop	1/21 Lockout bracket
1/4 Button	1/13 Fixed Side (M/Sw Brkt)	1/22 Lockout Coil (state voltage)
1/5 Return Chute	1/14 Removable Side (M/Sw Brkt)	1/23 Pole piece
1/6 Magnet Side (state coinage)	1/15 Interlock	1/24 Lockout arm (state type)
1/7 Swinging Side	1/16 Coin guide	1/25 Lockout spring
1/8 Bulldog Spring	1/17 Cradle (state coinage)	
1/9 Slider	1/18 Cradle weight (state coinage)	