
Arachnid Service Tip

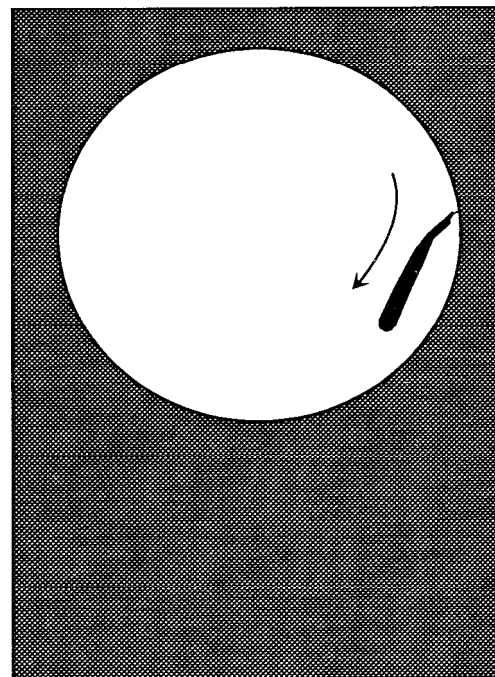
Installing a Super Spider Darthead or a new Spider (plastic segment frame) in any 6300, 6500, or Galaxy Dart Game

8-16-93

When installing a new Super Spider darthead or a replacement spider (the plastic segment frame), always check the fit of the new spider in the plastic web or game opening. The darthead should slide in easily, and not bind anywhere around its circumference. **The darthead should never be pounded or forced into the opening in any way.**

In the event that the darthead does not slide in easily, the web and/or cabinet opening may have to be enlarged slightly. The best method by which to accomplish this is with the use of a metal-blade paint scraper. Using an even, downward motion, scrape the inside surface of the plastic web until the darthead fits loosely and evenly in the opening (See illustration). This can also be done with a file, a sander, a curved blade such as a carpet knife, or with a routing tool.

If a darthead fits too tightly and the pressure is not relieved by enlarging the darthead opening, incorrect scoring or stuck segments may result, especially at the bullseye and doubles segments. The pressure can cause bowing of the spider which binds the center and the outer segments.



**Shaving the Darthead Opening
with a Metal-Blade Paint Scraper**

If you have a special concern or need assistance, please call Arachnid's Technical Services Dept. at 1-800-435-8319.

INSTALLATION INSTRUCTIONS (SUPER SPIDER DART HEAD ASSEMBLY) 6200 & 6300

GAME MUST BE A 6200 OR 6300 TO UPGRADE TO THE SUPER SPIDER
(MUST CONTAIN THE COIN P.C. BOARD)

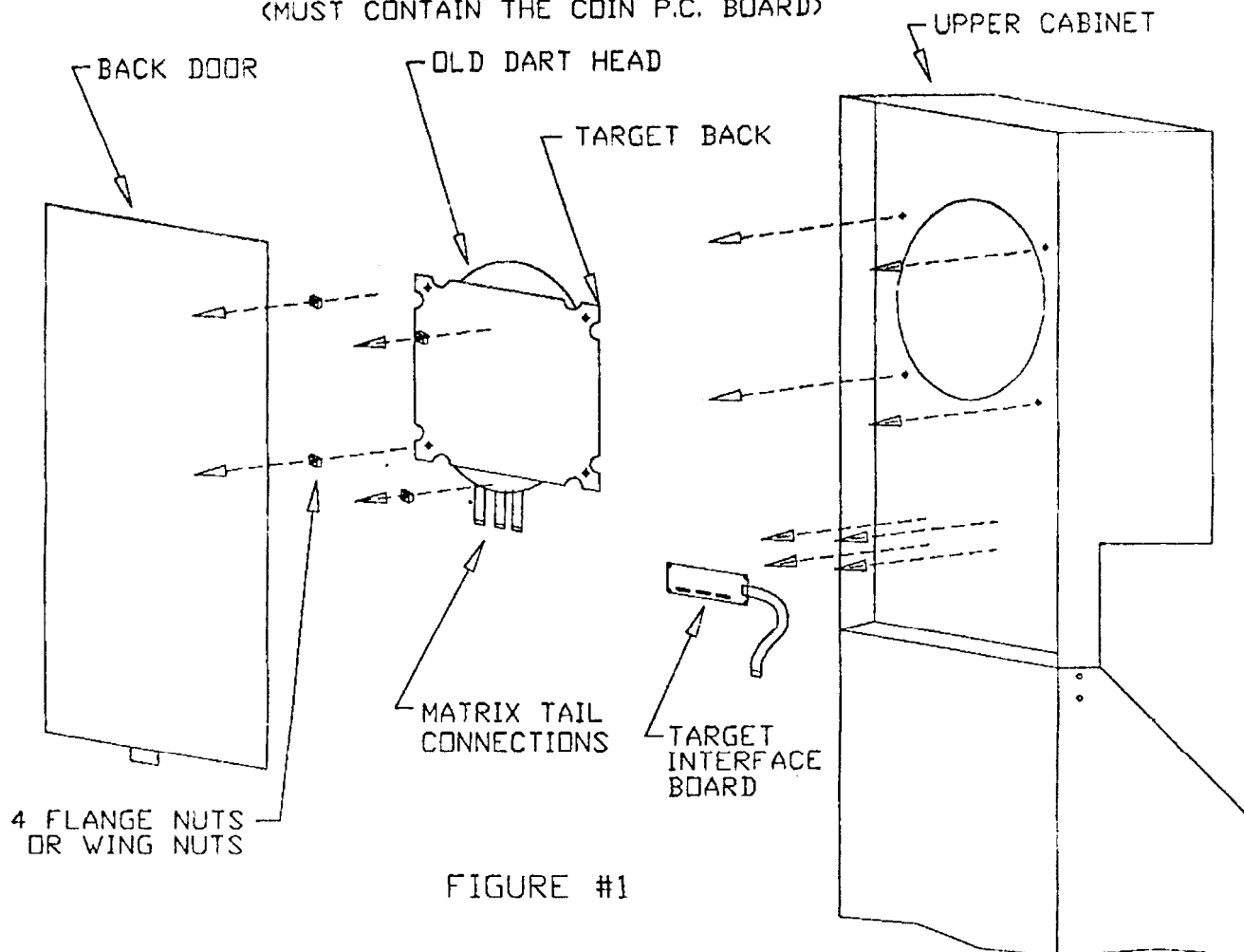


FIGURE #1

1. Turn game off and unplug it.
2. Remove the back door from the upper cabinet.
3. Disconnect the matrix tail connections. Remove the dart head by removing the four corner flange or wing nuts on the target back and firmly pulling the dart head out of the cabinet.
4. Disconnect the Target Interface board ribbon from the main board and remove the Target Interface board.
5. Install the new Target Interface board and Super Spider dart head assembly as shown in figure #2. (continued)

UPPER CABINET
(BACK VIEW)

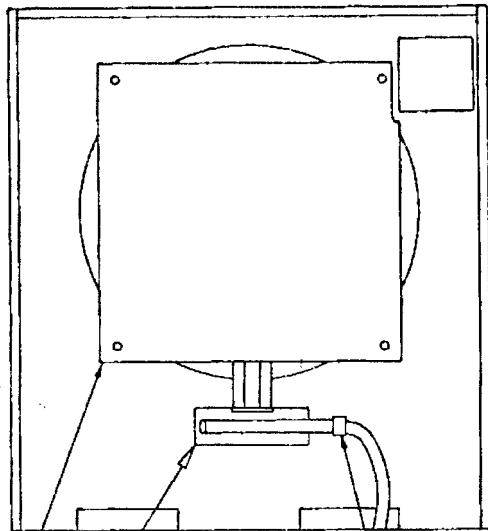


FIGURE #2

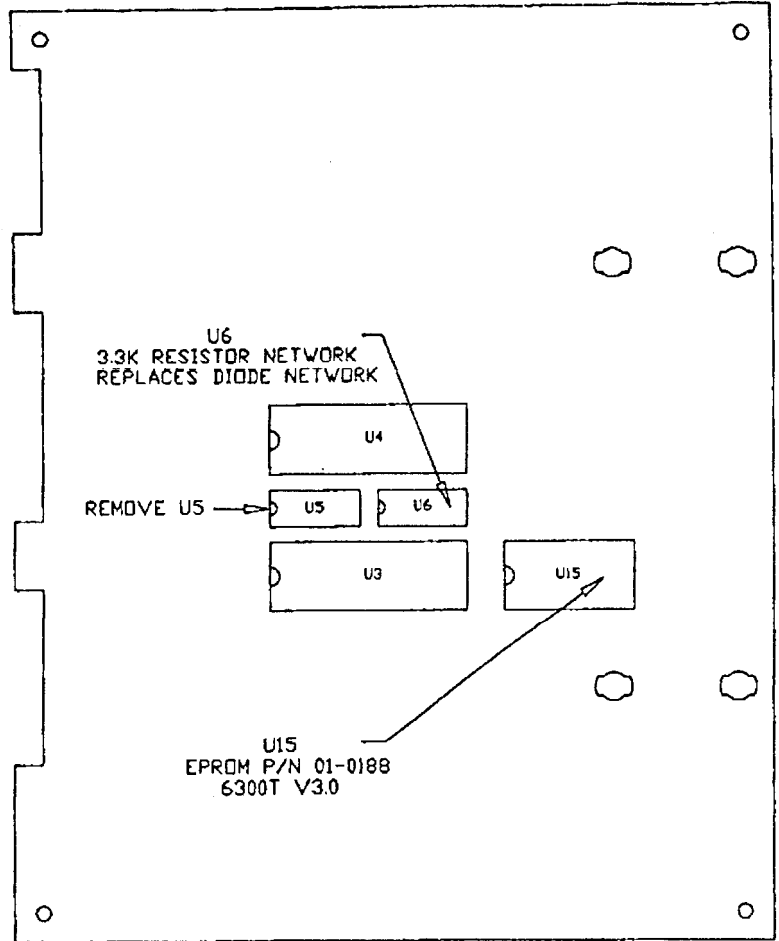
SUPER SPIDER DART
HEAD ASSEMBLY

NEW TARGET
INTERFACE BOARD

THE NEW TARGET INTERFACE
BOARD MUST BE INSTALLED
SO THAT THE GRAY RIBBON
CONNECTOR IS ON THE LEFT,
AND THE CABLE OVERLAPS
THE P.C. BOARD. SECURE
IT IN PLACE WITH THE
GRAY CLIP PROVIDED.

GRAY CLIP

MAIN BOARD



U6
3.3K RESISTOR NETWORK
REPLACES DIODE NETWORK

REMOVE U5

U15
EPROM P/N 01-0188
6300T V3.0

6. Take the main board out of the game.

Remove resistor network U5 and diode network U6. Most boards do not have sockets for these chips so they must be unsoldered. Using a small side cutting pliers, cut all the legs of each chip and remove the body. Each individual pin can then be unsoldered and removed.

Install the new 3.3K resistor network chip U6.

Remove the original EPROM from U15 and install the new V3.0 EPROM at U15.

Reinstall the main board in the game and check for proper operation and scoring.