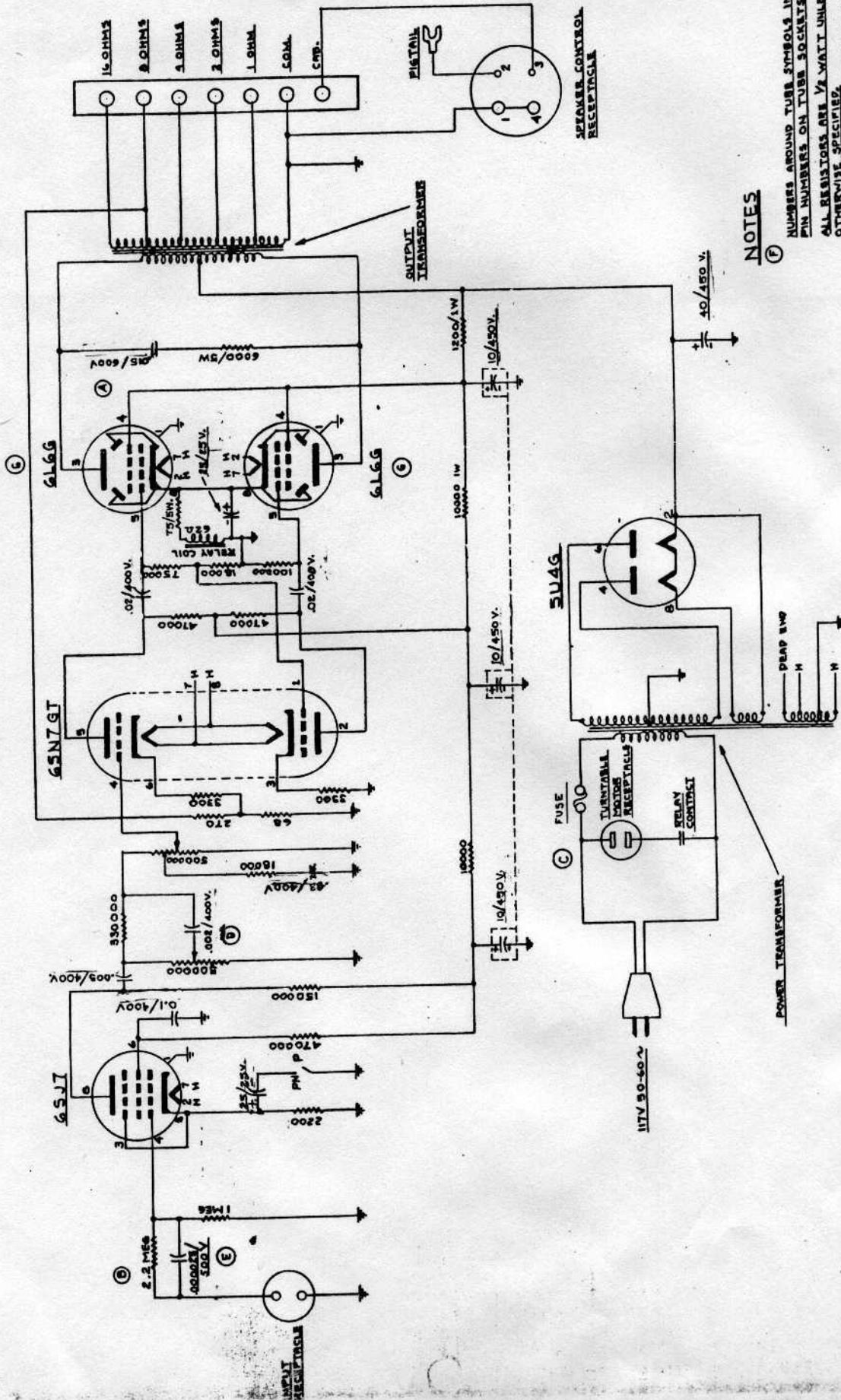


AMI B

R-22 AMPLIFIER (BLACK)  
Serial Numbers 15,000 and up.



NOTES

- (F) NUMBERS AROUND TUBE SYMBOLS INDICATE PIN NUMBERS ON TUBE SOCKETS.
- ALL RESISTORS ARE 1/2 WATT UNLESS OTHERWISE SPECIFIED.
- ALL CAPACITOR VALUES ARE IN MICROFARADS.
- FOR WIRING DIAGRAM SEE R-22.

(c) Copyright 1989 AMR Publishing Company  
All rights reserved

AMI Incorporated  
Sales Office — 127 N. Dearborn, Chicago 2  
Factory — 1500 Union Ave., S.E., Grand Rapids, Mich.