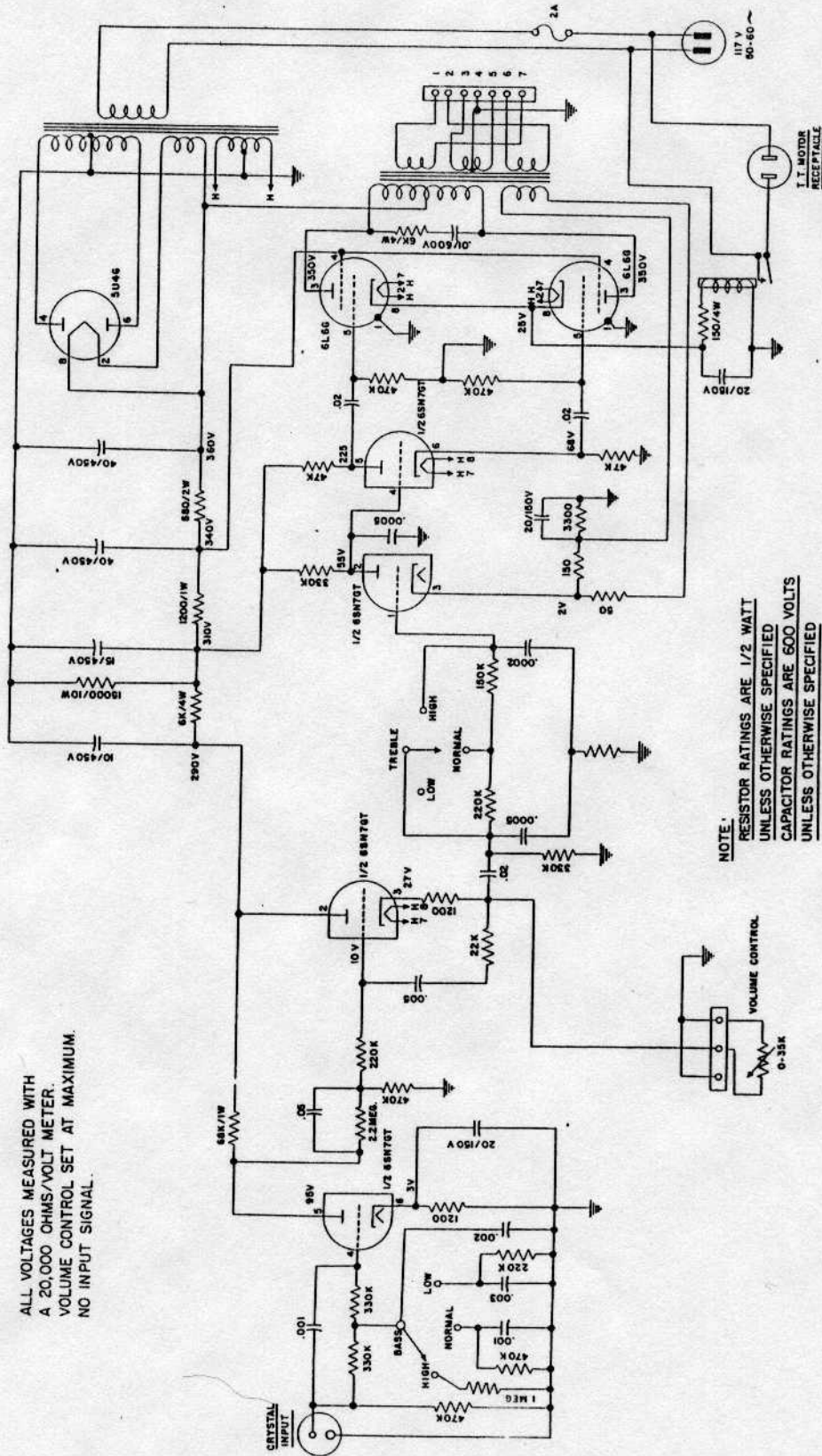


Model E

ALL VOLTAGES MEASURED WITH
A 20,000 OHMS/VOLT METER.
VOLUME CONTROL SET AT MAXIMUM.
NO INPUT SIGNAL.



NOTE:
RESISTOR RATINGS ARE 1/2 WATT
UNLESS OTHERWISE SPECIFIED
CAPACITOR RATINGS ARE 600 VOLTS
UNLESS OTHERWISE SPECIFIED

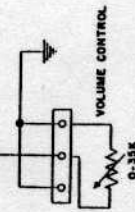


Fig. 4 R-105 Amplifier Schematic (645 RPM)