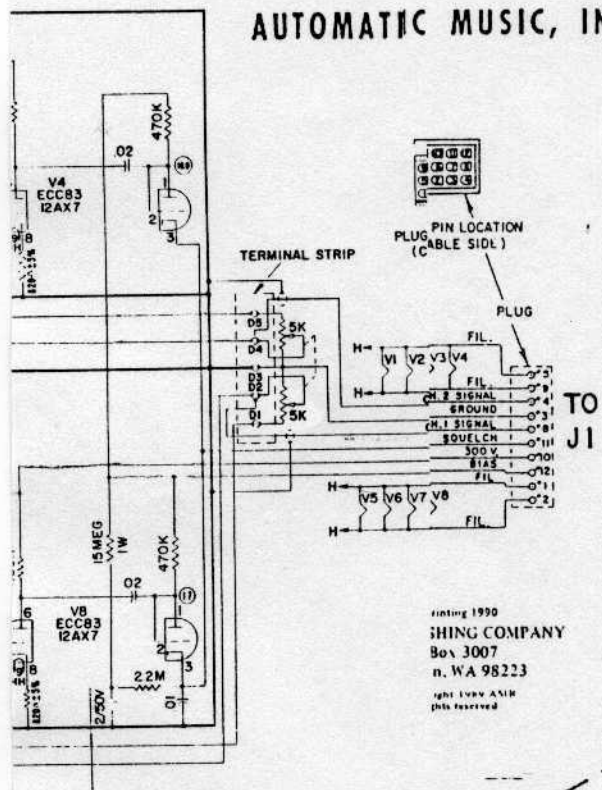


Models J & K

STEREO SYSTEM SCHEMATIC CHART

HF-8306-1

AUTOMATIC MUSIC, INC.

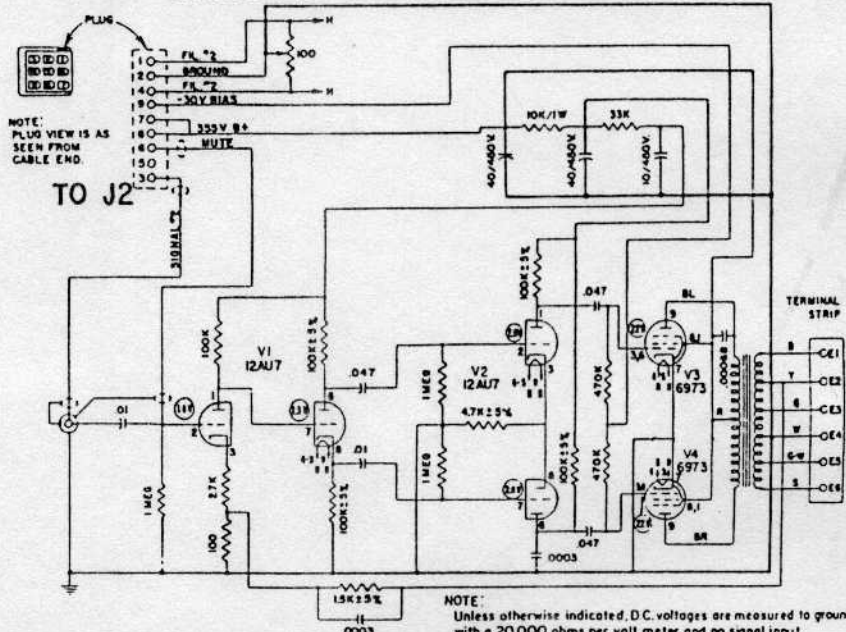


MONAURAL

TO J1

F-10570-A

L-2155 ADD-ON POWER AMPLIFIER

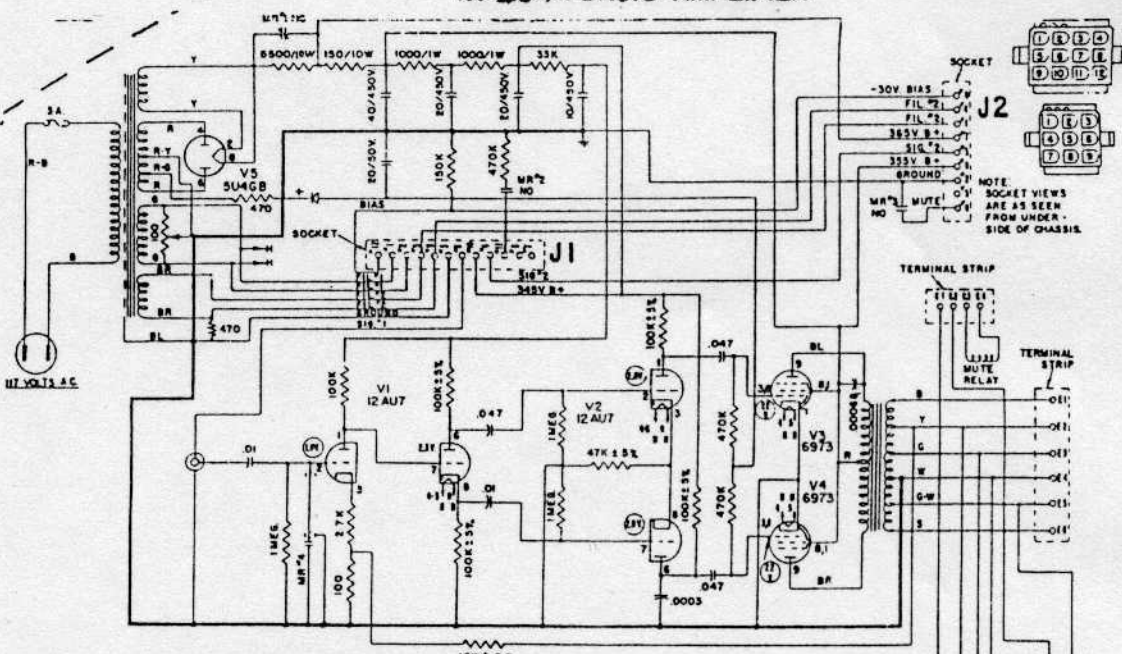


D.C. VOLTAGE READINGS							
V1	V2	V3	V4	PIN 1	PIN 2	PIN 3	PIN 4
12AU7	12AU7	6973	6973	84V	0	4.5V	150V
				195V	0	11V	195V
				355V	0	-30V	355V
				355V	0	-30V	355V

* MEASURED WITH A VTVM.

NOTE: Unless otherwise indicated, D.C. voltages are measured to ground with a 20,000 ohms per volt meter and no signal input. Line voltage is to be 117 volts. Signal voltages are encircled (O) and are measured to ground with an AC VTVM. Signal input is to be 1000 C.P.S. Capacitance is given in MFD unless otherwise indicated. Resistance is in Ohms unless otherwise indicated. Capacitor voltage ratings are 500 V. min. unless otherwise indicated. Resistors are $\frac{1}{2}$ watt $\pm 10\%$ unless otherwise indicated.

R-2017 BASIC AMPLIFIER



D.C. VOLTAGE READINGS							
V1	V2	V3	V4	PIN 1	PIN 2	PIN 3	PIN 4
12AU7	12AU7	6973	6973	84V	0	4.5V	150V
				195V	0	11V	195V
				355V	0	-30V	355V
				355V	0	-30V	355V

* MEASURED WITH A VTVM.

NOTE: Unless otherwise indicated, D.C. voltages are measured to ground with a 20,000 ohms per volt meter and no signal input. Line voltage is to be 117 volts. D.C. measurements taken with no other unit plugged into the R-2017. Signal voltages are encircled (O) and are measured to ground with an AC VTVM. Signal input is to be 1000 C.P.S. Capacitance is given in MFD unless otherwise indicated. Resistance is in Ohms unless otherwise indicated. Capacitor voltage ratings are 500 V. min. unless otherwise indicated. Resistors are $\frac{1}{2}$ watt $\pm 10\%$ unless otherwise indicated. Phono speaker switch shown in full clockwise position as viewed from top of chassis.

PHONO SPEAKER SWITCH