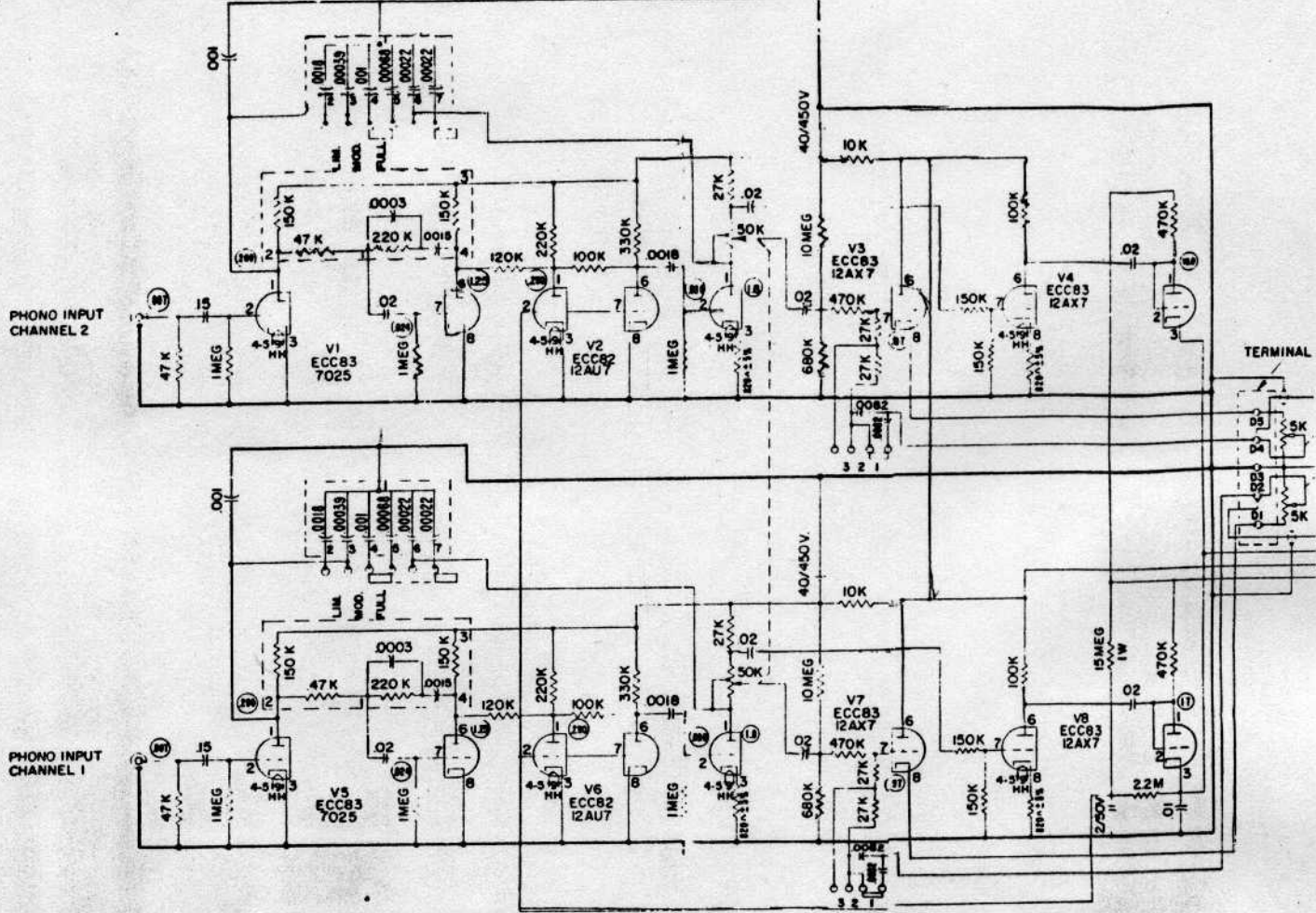


R-2020 CONTROL AMPLIFIER

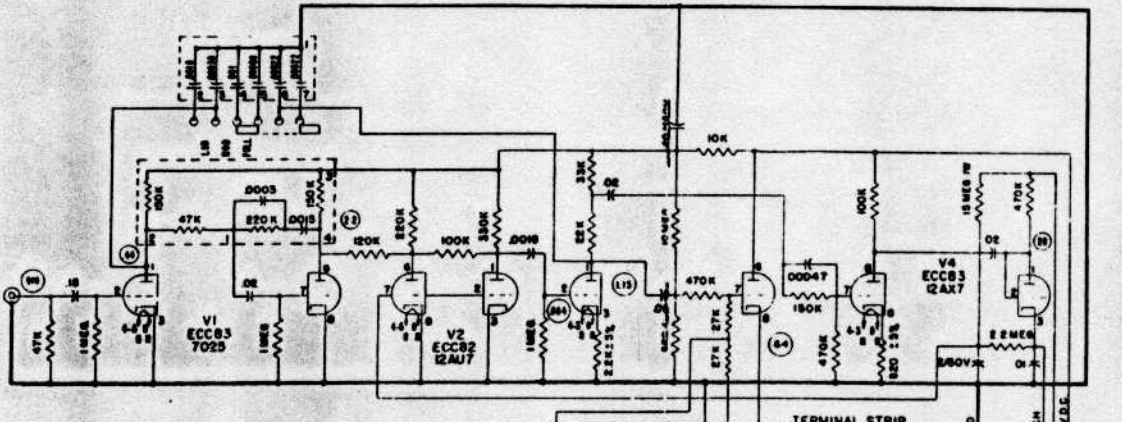


DC VOLTAGE READINGS									
	PIN 1	PIN 2	PIN 3	PIN 4	PIN 5	PIN 6	PIN 7	PIN 8	PIN 9
V1	VS ECC83/7025	120V	-70V	0	150V	-70V	0	0	0
V2	V6 ECC82/12AU7	190V	0	0	205V	0	0	0	0
V3	V7 ECC83/12AX7	195V	0	12V	300V	16.5V	18.5V	0	0
V4	V8 ECC83/12AX7	30V	-30V	0	170V	0	0	0	0

* MEASURED WITH A VTVM
 * MEASUREMENTS UNRELIABLE AS EVEN A VTVM WILL LOAD CIRCUIT AND VOLTAGES WILL VARY WITH SIGNAL LEVEL.

NOTE:
 Capacitor ratings are 500V min. unless otherwise noted.
 Resistor ratings are 1/2 watt and resistance values are ±10% unless otherwise noted.
 DC voltages are measured to ground with a 20,000 ohms per volt meter, no signal input.
 Signal voltages are encircled (Ⓢ) and measured to ground with an A.C. VTVM.
 The signal frequency must be 1K C with volume control at max., high frequency range switch at full and fidelity equalizer set at 1.

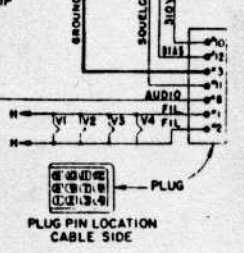
L-2156 ADD-ON CONTROL AMPLIFIER



DC VOLTAGE READINGS									
	PIN 1	PIN 2	PIN 3	PIN 4	PIN 5	PIN 6	PIN 7	PIN 8	PIN 9
V1	ECC83/7025	110V	25V	0	115V	5.5V	0	0	0
V2	ECC82/12AU7	150V	0	0	150V	0	0	0	0
V3	ECC83/12AX7	225V	0	1.9V	300V	16.5V	18.5V	0	0
V4	ECC83/12AX7	30V	-30V	0	190V	0	10V	0	0

* MEASURED WITH A VTVM
 * MEASUREMENTS UNRELIABLE AS EVEN A VTVM WILL LOAD CIRCUIT AND VOLTAGES WILL VARY WITH SIGNAL LEVEL.

NOTE:
 Capacitor ratings are 500V min. unless otherwise noted.
 Resistor ratings are 1/2 watt and resistance values are ±10% unless otherwise noted.
 D.C. voltages are measured to ground with 20,000 ohms per volt meter, no signal input.
 Signal voltages are encircled (Ⓢ) and measured to ground with an A.C. VTVM. The signal frequency must be 1K C with volume control at max., high frequency range switch at full and fidelity equalizer set at 1.



TO J1