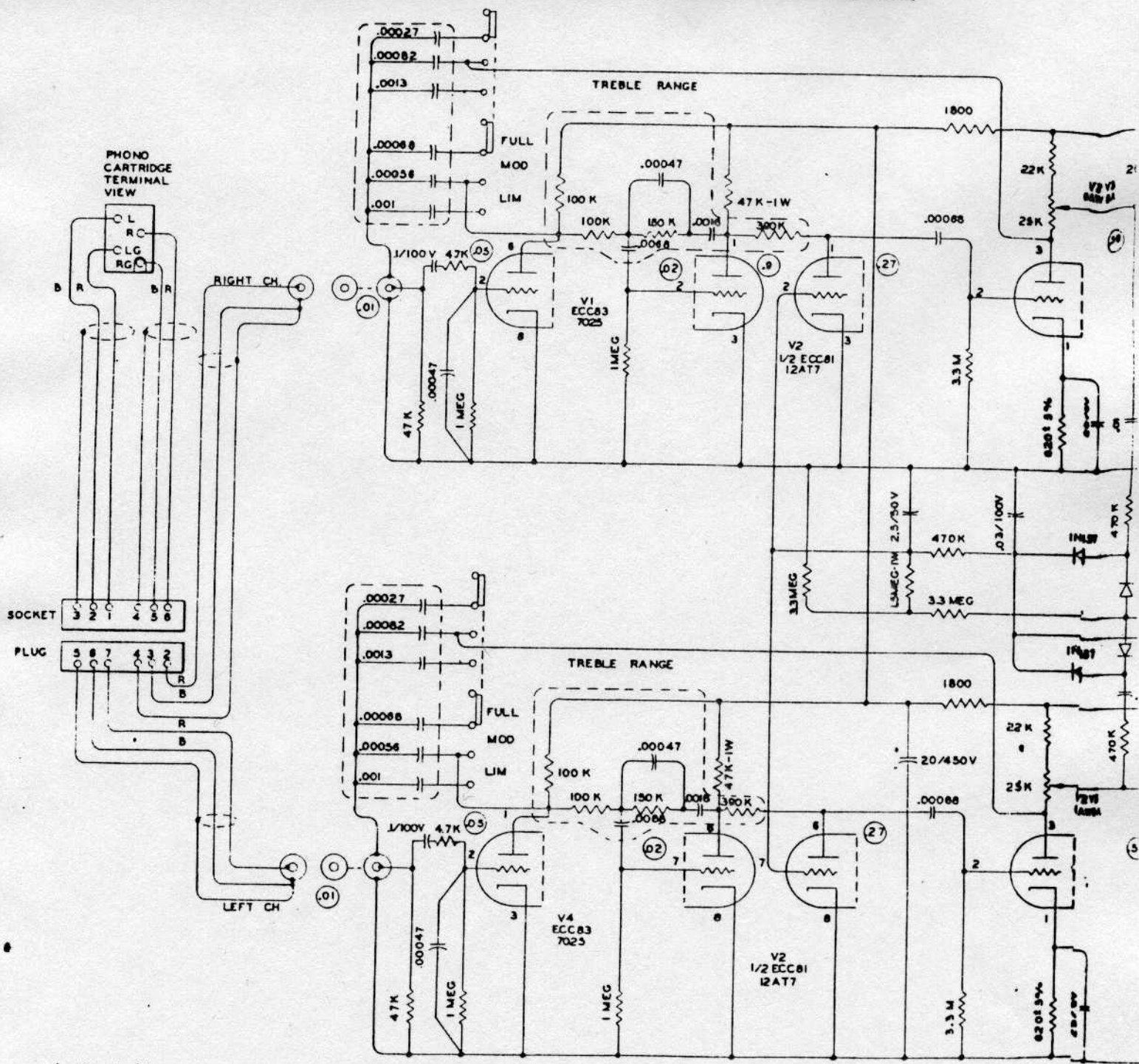
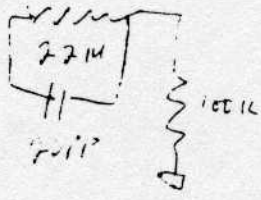


STEREO CONTROL AMPLIFIER SCHEMATIC DIAGRAM



CC 12-14



AM-509

D.C. VOLTAGE CHART C

TUBE	TUBE TYPE	PIN 1	PIN 2	PIN 3	PIN 4	PIN 5	PIN 6	PIN 7	PIN 8	PIN 9
V1	ECC83 - 7025	180	-45*	0			135	-100	0	
V2	ECC81 - 12AT7	180*	-8.5*	0			180*	-101	0	
V3	6AW6A	2.25	0*	185			135	-101	210	5*
V4	ECC83 - 7025	135	-45*	0			180	-100	0	

* MEASURED WITH A VTVM.
 † CAUTION VTVM WILL LOAD THE CIRCUIT