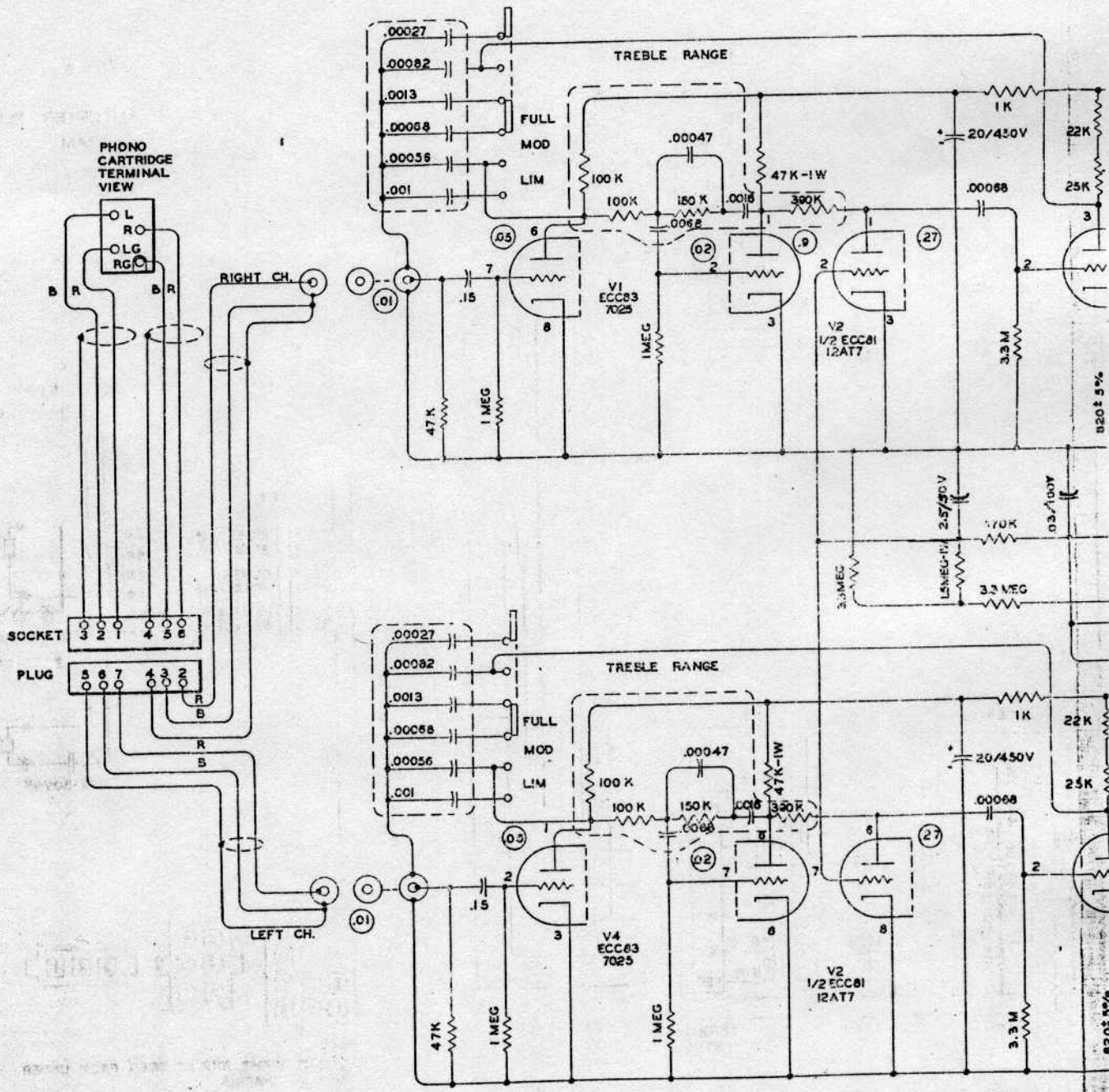


# STEREO CONTROL AMPLIFIER SCHEMATIC DIAGRAM



D.C. VOLTAGE CHART

TUBE	TUBE TYPE	PIN 1	PIN 2	PIN 3	PIN 4	PIN 5	PIN
V1	ECC 83 - 7025	180	-45*	0			135
V2	ECC81 - 12AT7	180*	-8.5*	0			18C
V3	6-W8A	2.25	0*	185			27
V4	ECC83 - 7025	135	-45*	0			18C

\* MEASURED WITH A V.T.V.M.  
\* CAUTION VTVM WILL LOAD THE CIRCUIT