

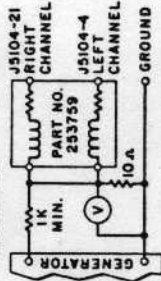
ELECTRONIC UNITS

PRE-AMP SCHEMATIC DIAGRAM, Type SHP1

NOTES:

1. ALL RESISTORS ARE IN OHMS, UNLESS OTHERWISE SPECIFIED.
2. ALL CAPACITORS ARE IN MICRO-FARADS, UNLESS OTHERWISE SPECIFIED.

3. PROPER SIGNAL GENERATOR IMPEDANCE FOR OBTAINING RESPONSE CURVES AND SIGNAL VOLTAGES MAY BE OBTAINED AS SHOWN.

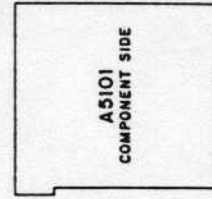


4. A.C. SIGNAL VOLTAGES SHOWN ENCIRCLED CAN VARY ±20% AND WERE MEASURED WITH .0019 V, 1000 HZ. INPUT SIGNAL TO J5104-4 AND J5104-21 USING A 5 MEGOHM INPUT VTVM WITH C5121 SHORTED TO GND.

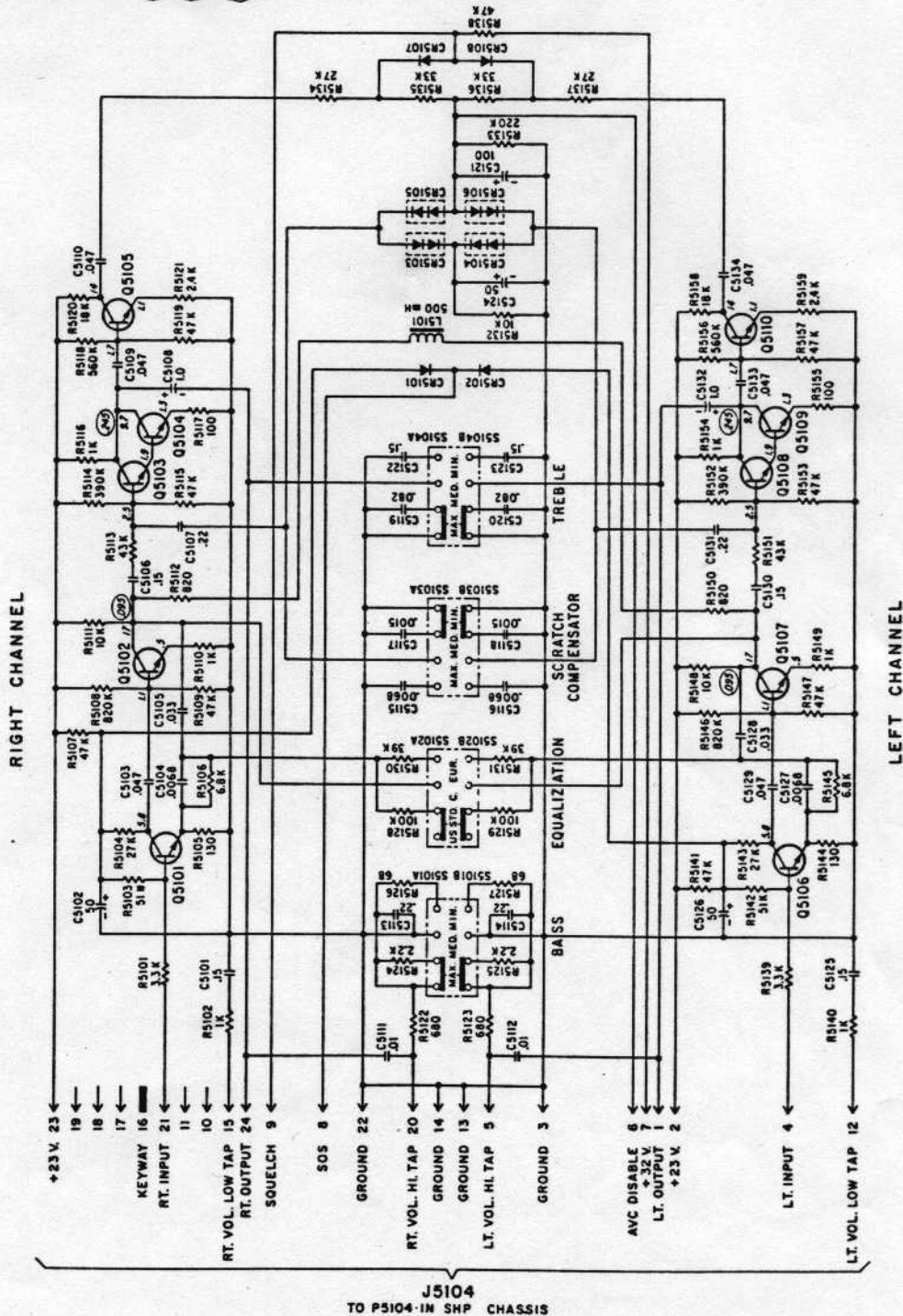
5. D.C. VOLTAGES WERE MEASURED TO GND, USING A 20,000 OHM/VOLT VOLTMETER WITH 23V APPLIED TO J5104-2 AND J5104-23. NO SIGNAL INPUT & WITH A 560 OHM RESISTOR CONNECTED BETWEEN J5104-4 AND GND. & J5104-21 AND GND.

6. SQUELCH ACTION OF CIRCUIT CAN BE CHECKED BY SHORTING J5104-9 TO GROUND FOR SEVERAL SECONDS AND THEN RELEASING. (SHORT ACROSS C5121 REMOVED AND 32 V. APPLIED TO J5104-7).

(9-18281-NO) 6012-8



PRINTED CIRCUIT BOARD CONNECTOR DESIGNATION



J5104
TO P5104-IN SHP CHASSIS