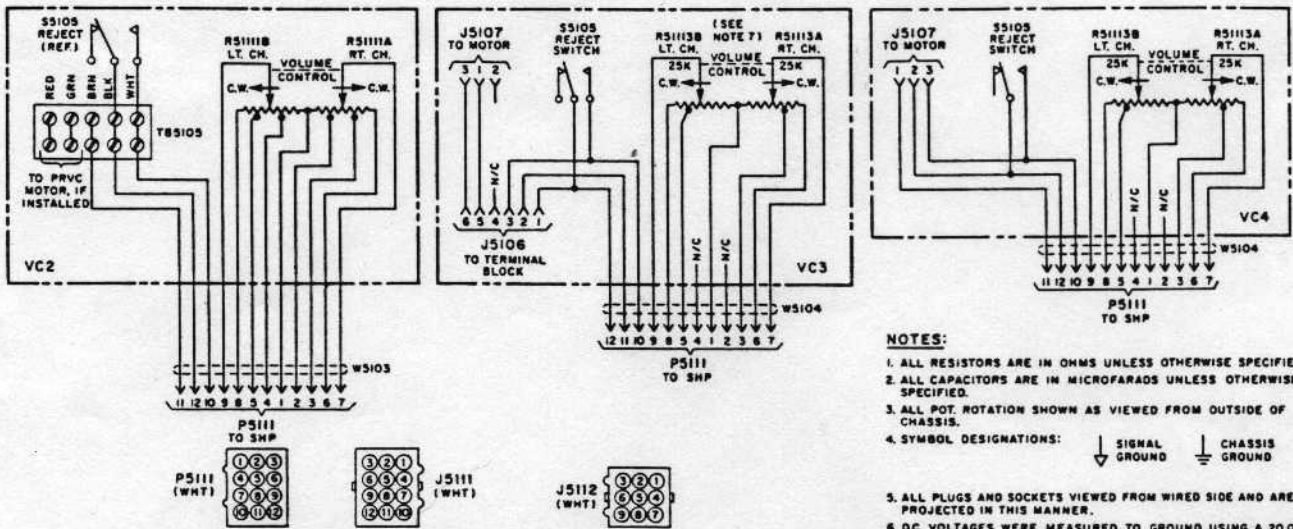
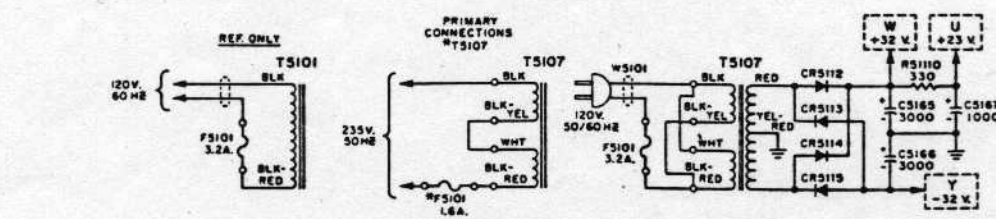
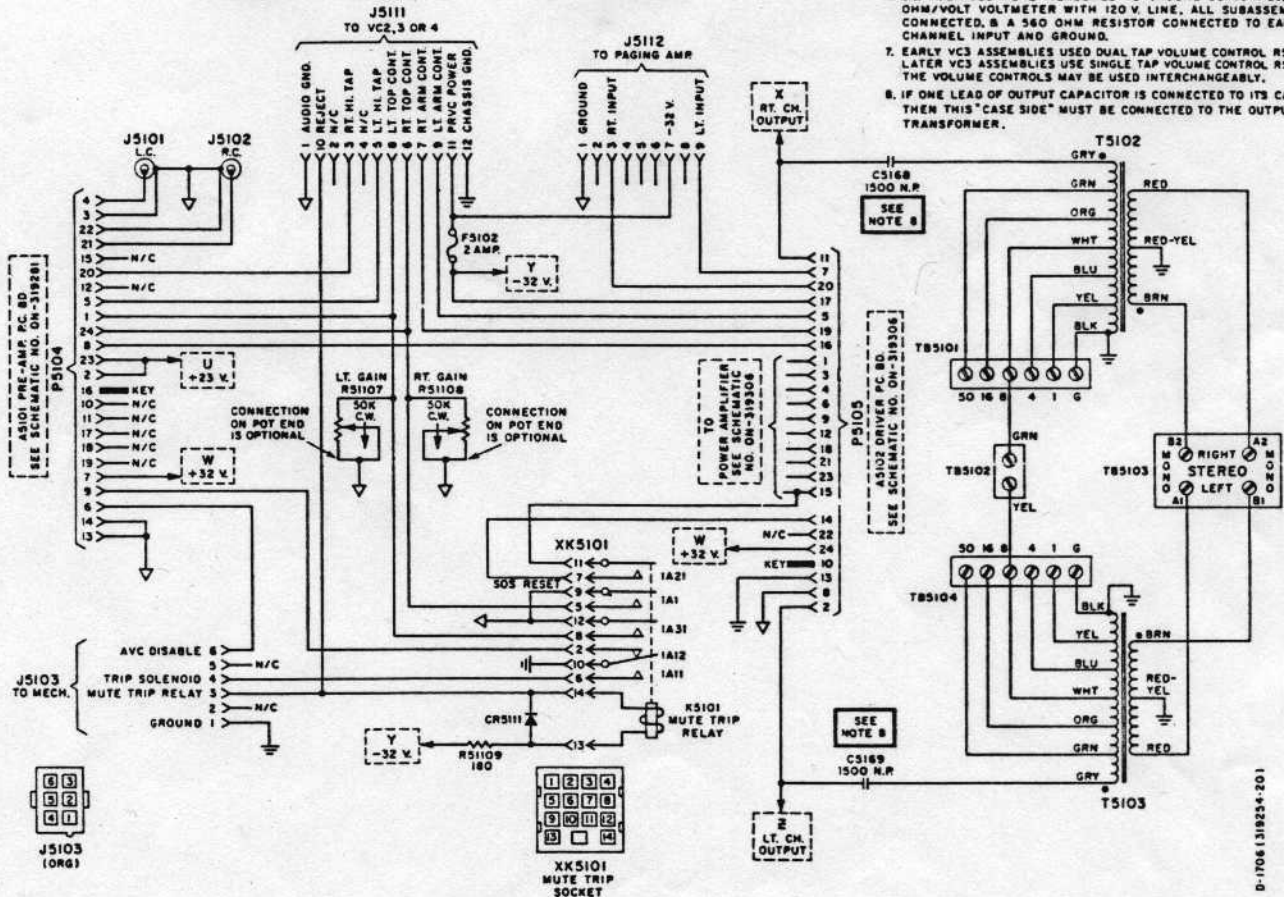


ELECTRONIC UNITS

CHASSIS SCHEMATIC DIAGRAM, Types SHP1 & SHP3



- NOTES:**
1. ALL RESISTORS ARE IN OHMS UNLESS OTHERWISE SPECIFIED.
 2. ALL CAPACITORS ARE IN MICROFARADS UNLESS OTHERWISE SPECIFIED.
 3. ALL POT. ROTATION SHOWN AS VIEWED FROM OUTSIDE OF CHASSIS.
 4. SYMBOL DESIGNATIONS:
 ↓ SIGNAL GROUND
 ⊥ CHASSIS GROUND
 5. ALL PLUGS AND SOCKETS VIEWED FROM WIRED SIDE AND ARE PROJECTED IN THIS MANNER.
 6. D.C. VOLTAGES WERE MEASURED TO GROUND USING A 20,000 OHM/VOLT VOLTMETER WITH 120 V. LINE. ALL SUBASSEMBLIES CONNECTED, & A 560 OHM RESISTOR CONNECTED TO EACH CHANNEL INPUT AND GROUND.
 7. EARLY VC3 ASSEMBLIES USED DUAL TAP VOLUME CONTROL R5112. LATER VC3 ASSEMBLIES USE SINGLE TAP VOLUME CONTROL R5113. THE VOLUME CONTROLS MAY BE USED INTERCHANGEABLY.
 8. IF ONE LEAD OF OUTPUT CAPACITOR IS CONNECTED TO ITS CASE, THEN THIS "CASE SIDE" MUST BE CONNECTED TO THE OUTPUT TRANSFORMER.



D-1706 (319254-20)