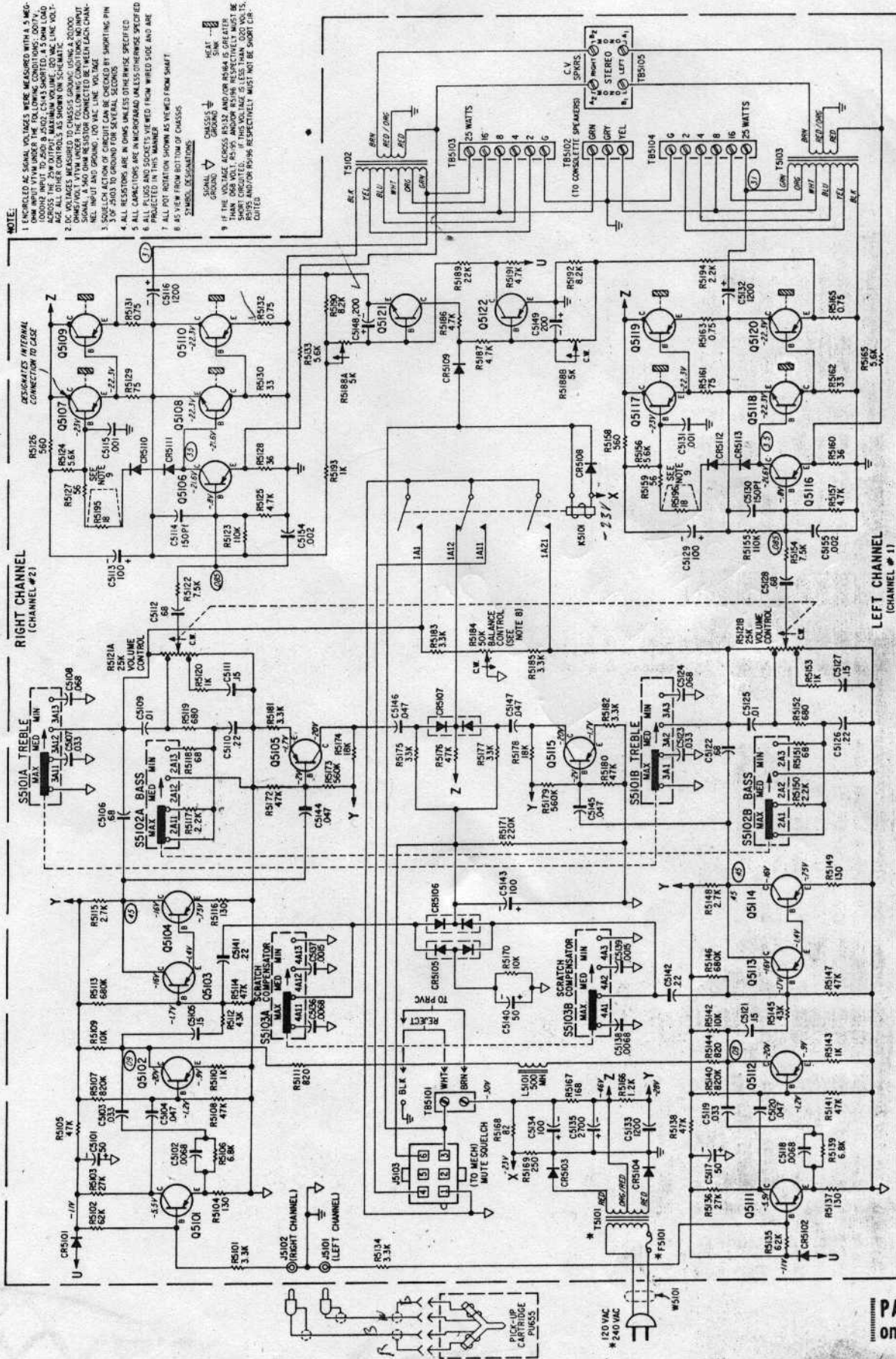


SOLID STATE STEREO AMPLIFIER, Type TSA5 (Code C)

DRAWING No. M-278



- NOTE:**
- 1 COMPONENTS OF SIGNAL PATHS WERE MEASURED WITH A 500- Ω LOAD INPUT WITH AN IMPEDANCE OF 8 Ω . 55102, C5103 SHORTED, 4.5 OHM LOAD AND 55101 SHORTED TO GROUND. MAXIMUM VOLUME, 20 WATT LINE VOLTAGE.
 - 2 DC VOLTAGES MEASURED TO GROUND USING A 20000 OHM/VOLT METER UNDER THE FOLLOWING CONDITIONS: NO INPUT SIGNAL, INPUT AND GROUND 100 MA, THE METER IS SET TO MEASURE DC VOLTAGE. 300 Ω LOAD ON INPUT CAN BE CHECKED BY SHORTING PIN 3 OF 55103 TO GROUND FOR SEVERAL SECONDS.
 - 3 SQUELCH ACTION OF CIRCUIT CAN BE CHECKED BY SHORTING PIN 3 OF 55103 TO GROUND FOR SEVERAL SECONDS.
 - 4 ALL RESISTORS ARE IN OHMS UNLESS OTHERWISE SPECIFIED.
 - 5 ALL CAPACITORS ARE IN MICROFARADS UNLESS OTHERWISE SPECIFIED.
 - 6 ALL POTENTIOMETERS ARE TO BE WOUND FROM WIRE SIDE AND ARE PRACTICED IN THIS MANNER.
 - 7 ALL POTENTIOMETERS SHOWN AS VIEWED FROM SHAFT.
 - 8 AS VIEW FROM BOTTOM OF CHASSIS.
 - 9 IF THE VOLTAGE ACROSS R5132 AND/OR R5184 IS GREATER THAN 0.08 VOLT, R5132 AND/OR R5184 RESISTORS RESPECTIVELY MUST BE CHECKED. R5132 AND/OR R5184 RESISTORS RESPECTIVELY MUST NOT BE SHORT CIRCUITED.

- TRANSISTOR DETAILS (BOTTOM VIEW)**
- Q5101, Q5102, Q5103, Q5104, Q5105, Q5106, Q5107, Q5108, Q5109, Q5110, Q5111, Q5112, Q5113, Q5114, Q5115, Q5116, Q5117, Q5118, Q5119, Q5120, Q5121, Q5122, Q5123, Q5124, Q5125, Q5126, Q5127, Q5128, Q5129, Q5130, Q5131, Q5132, Q5133, Q5134, Q5135, Q5136, Q5137, Q5138, Q5139, Q5140, Q5141, Q5142, Q5143, Q5144, Q5145, Q5146, Q5147, Q5148, Q5149, Q5150, Q5151, Q5152, Q5153, Q5154, Q5155, Q5156, Q5157, Q5158, Q5159, Q5160, Q5161, Q5162, Q5163, Q5164, Q5165, Q5166, Q5167, Q5168, Q5169, Q5170, Q5171, Q5172, Q5173, Q5174, Q5175, Q5176, Q5177, Q5178, Q5179, Q5180, Q5181, Q5182, Q5183, Q5184, Q5185, Q5186, Q5187, Q5188, Q5189, Q5190, Q5191, Q5192, Q5193, Q5194, Q5195, Q5196, Q5197, Q5198, Q5199
- DIODE DETAILS**
- CR5101, CR5102, CR5103, CR5104, CR5105, CR5106, CR5107, CR5108, CR5109, CR5110, CR5111, CR5112, CR5113, CR5114, CR5115, CR5116, CR5117, CR5118, CR5119, CR5120, CR5121, CR5122, CR5123, CR5124, CR5125, CR5126, CR5127, CR5128, CR5129, CR5130, CR5131, CR5132, CR5133, CR5134, CR5135, CR5136, CR5137, CR5138, CR5139, CR5140, CR5141, CR5142, CR5143, CR5144, CR5145, CR5146, CR5147, CR5148, CR5149, CR5150, CR5151, CR5152, CR5153, CR5154, CR5155, CR5156, CR5157, CR5158, CR5159, CR5160, CR5161, CR5162, CR5163, CR5164, CR5165, CR5166, CR5167, CR5168, CR5169, CR5170, CR5171, CR5172, CR5173, CR5174, CR5175, CR5176, CR5177, CR5178, CR5179, CR5180, CR5181, CR5182, CR5183, CR5184, CR5185, CR5186, CR5187, CR5188, CR5189, CR5190, CR5191, CR5192, CR5193, CR5194, CR5195, CR5196, CR5197, CR5198, CR5199
- RESISTOR DETAILS**
- R5101, R5102, R5103, R5104, R5105, R5106, R5107, R5108, R5109, R5110, R5111, R5112, R5113, R5114, R5115, R5116, R5117, R5118, R5119, R5120, R5121, R5122, R5123, R5124, R5125, R5126, R5127, R5128, R5129, R5130, R5131, R5132, R5133, R5134, R5135, R5136, R5137, R5138, R5139, R5140, R5141, R5142, R5143, R5144, R5145, R5146, R5147, R5148, R5149, R5150, R5151, R5152, R5153, R5154, R5155, R5156, R5157, R5158, R5159, R5160, R5161, R5162, R5163, R5164, R5165, R5166, R5167, R5168, R5169, R5170, R5171, R5172, R5173, R5174, R5175, R5176, R5177, R5178, R5179, R5180, R5181, R5182, R5183, R5184, R5185, R5186, R5187, R5188, R5189, R5190, R5191, R5192, R5193, R5194, R5195, R5196, R5197, R5198, R5199
- CAPACITOR DETAILS**
- C5101, C5102, C5103, C5104, C5105, C5106, C5107, C5108, C5109, C5110, C5111, C5112, C5113, C5114, C5115, C5116, C5117, C5118, C5119, C5120, C5121, C5122, C5123, C5124, C5125, C5126, C5127, C5128, C5129, C5130, C5131, C5132, C5133, C5134, C5135, C5136, C5137, C5138, C5139, C5140, C5141, C5142, C5143, C5144, C5145, C5146, C5147, C5148, C5149, C5150, C5151, C5152, C5153, C5154, C5155, C5156, C5157, C5158, C5159, C5160, C5161, C5162, C5163, C5164, C5165, C5166, C5167, C5168, C5169, C5170, C5171, C5172, C5173, C5174, C5175, C5176, C5177, C5178, C5179, C5180, C5181, C5182, C5183, C5184, C5185, C5186, C5187, C5188, C5189, C5190, C5191, C5192, C5193, C5194, C5195, C5196, C5197, C5198, C5199

PARTS LIST on Reverse Side