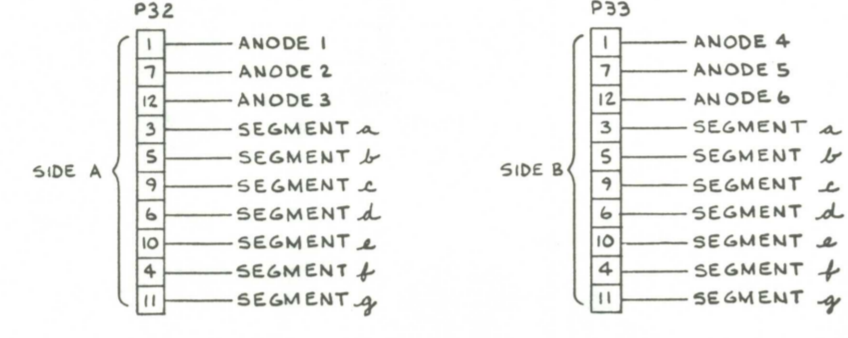
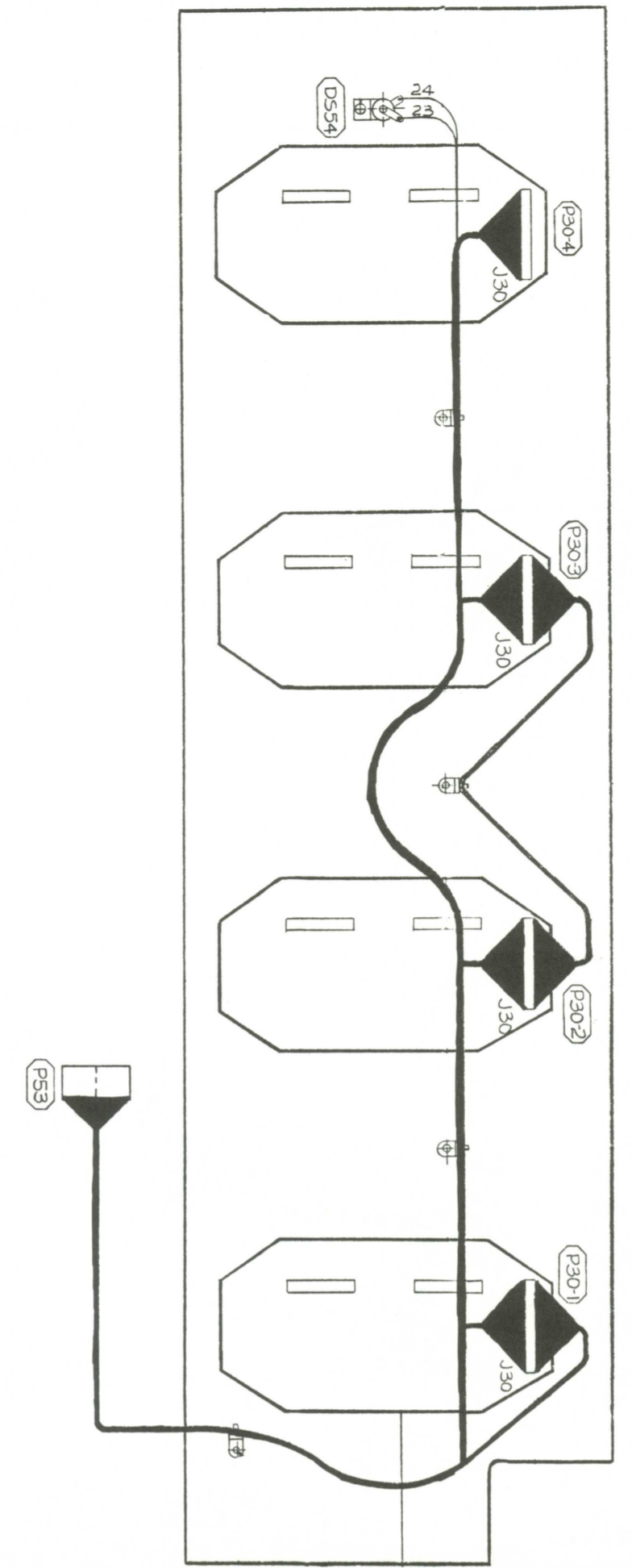


NOTICE TO ALL PERSONS RECEIVING THIS DRAWING  
 CONFIDENTIAL: Reproduction forbidden without the  
 specific written permission of Atari, Inc., Sunnyvale,  
 California. This drawing is only conditionally issued, and  
 neither it nor its contents are to be disseminated or  
 used in any way to disclose the subject matter of the  
 drawing or any design or technical information shown  
 thereon, nor any right to reproduce this drawing or any part  
 thereof, except for manufacture by vendors of Atari, Inc.,  
 and for manufacturers under the corporation's written  
 license. No right to reproduce this drawing is granted  
 or the subject matter thereof unless by written agreement  
 with or written permission from the corporation.

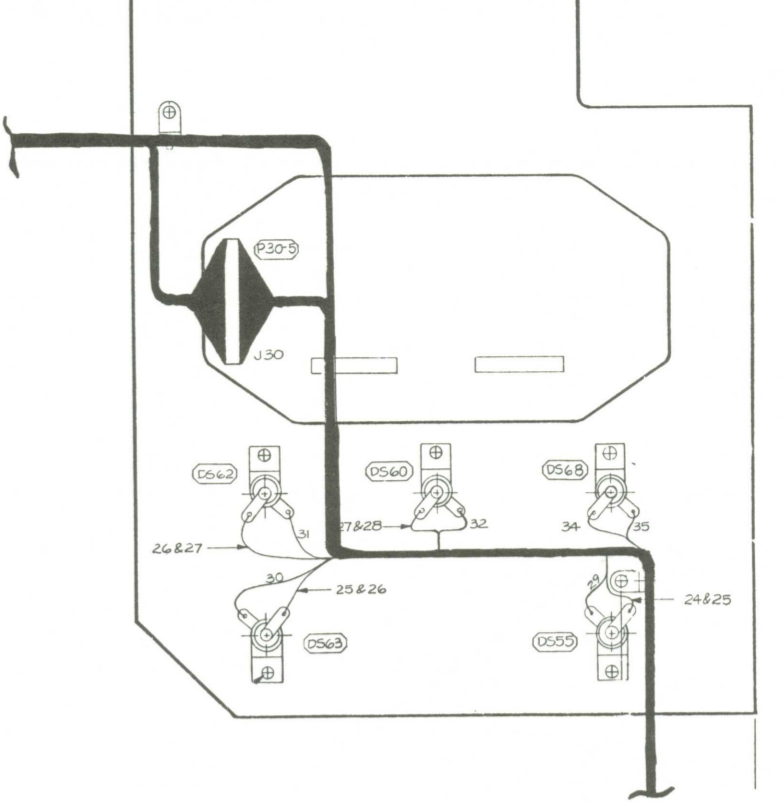
- NOTES:  
 1. RESISTORS ARE IN OHMS, 1/4W, ±5%.  
 2. DIODES ARE IN 914'S.



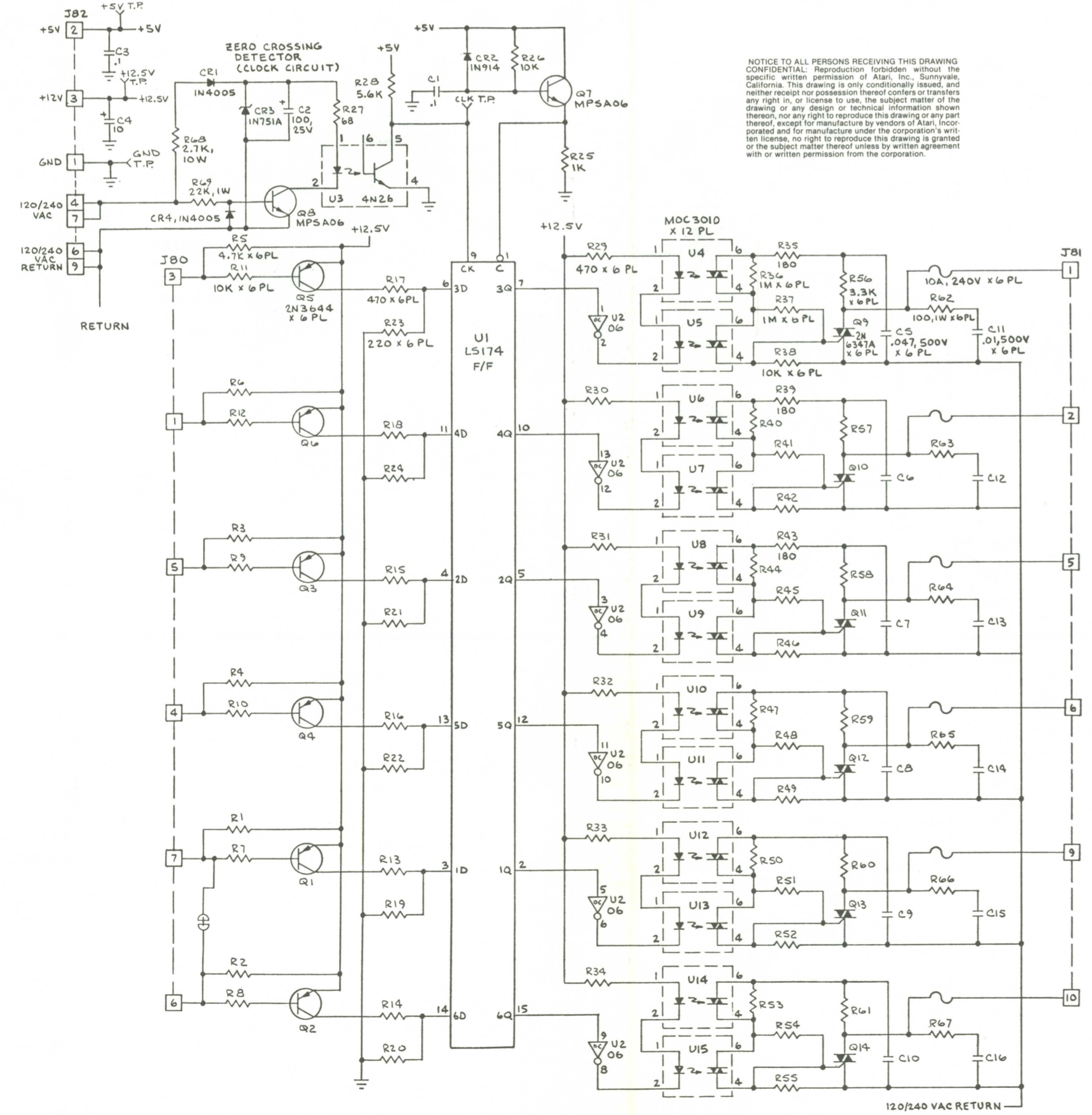
**LED DISPLAY DRIVER PCB  
 SCHEMATIC DIAGRAM  
 020853-01 A**



NOTICE TO ALL PERSONS RECEIVING THIS DRAWING  
 CONFIDENTIAL: Reproduction forbidden without the  
 specific written permission of Atari, Inc., Sunnyvale,  
 California. This drawing is only conditionally issued, and  
 neither it nor its contents are to be disseminated or  
 used in any way to disclose the subject matter of the  
 drawing or any design or technical information shown  
 thereon, nor any right to reproduce this drawing or any part  
 thereof, except for manufacture by vendors of Atari, Inc.,  
 and for manufacturers under the corporation's written  
 license. No right to reproduce this drawing is granted  
 or the subject matter thereof unless by written agreement  
 with or written permission from the corporation.



**LEFT AND RIGHT DISPLAY  
 HARNESS DIAGRAM  
 A021378-01 B  
 A021380-01 B**



NOTICE TO ALL PERSONS RECEIVING THIS DRAWING  
 CONFIDENTIAL: Reproduction forbidden without the  
 specific written permission of Atari, Inc., Sunnyvale,  
 California. This drawing is only conditionally issued, and  
 neither it nor its contents are to be disseminated or  
 used in any way to disclose the subject matter of the  
 drawing or any design or technical information shown  
 thereon, nor any right to reproduce this drawing or any part  
 thereof, except for manufacture by vendors of Atari, Inc.,  
 and for manufacturers under the corporation's written  
 license. No right to reproduce this drawing is granted  
 or the subject matter thereof unless by written agreement  
 with or written permission from the corporation.

**AC ADAPTER PCB  
 SCHEMATIC DIAGRAM  
 021431-01 A**

**Drawing Package Supplement  
 to  
 Hercules™ Operation, Maintenance and Service  
 Manual**

**Contents of this Drawing Package**

- LED Display Driver PCB, Schematic Diagram
- Left and Right Display, Harness Diagram
- AC Adapter PCB, Schematic Diagram
- Playfield Harness Routing
- Processor PCB, Schematic Diagram
- I/O PCB, Schematic Diagram
- Hercules Wiring Diagram, AC Power Distribution
- Hercules Wiring Diagram, Power Supply
- Hercules Wiring Diagram, Switch Circuits
- Hercules Wiring Diagram, Lamp Circuits
- Hercules Wiring Diagram, Display Circuits
- Hercules Wiring Diagram, PCB Interconnect
- Hercules Interconnect Diagram
- Power Distribution PCB, Schematic Diagram

- Sheet 1, Side A
- Sheet 1, Side A
- Sheet 1, Side A
- Sheet 1, Side B
- Sheet 2, Side A
- Sheet 2, Side B
- Sheet 3, Side A
- Sheet 3, Side A
- Sheet 3, Side A
- Sheet 3, Side A
- Sheet 3, Side B
- Sheet 3, Side B
- Sheet 3, Side B
- Sheet 3, Side B

