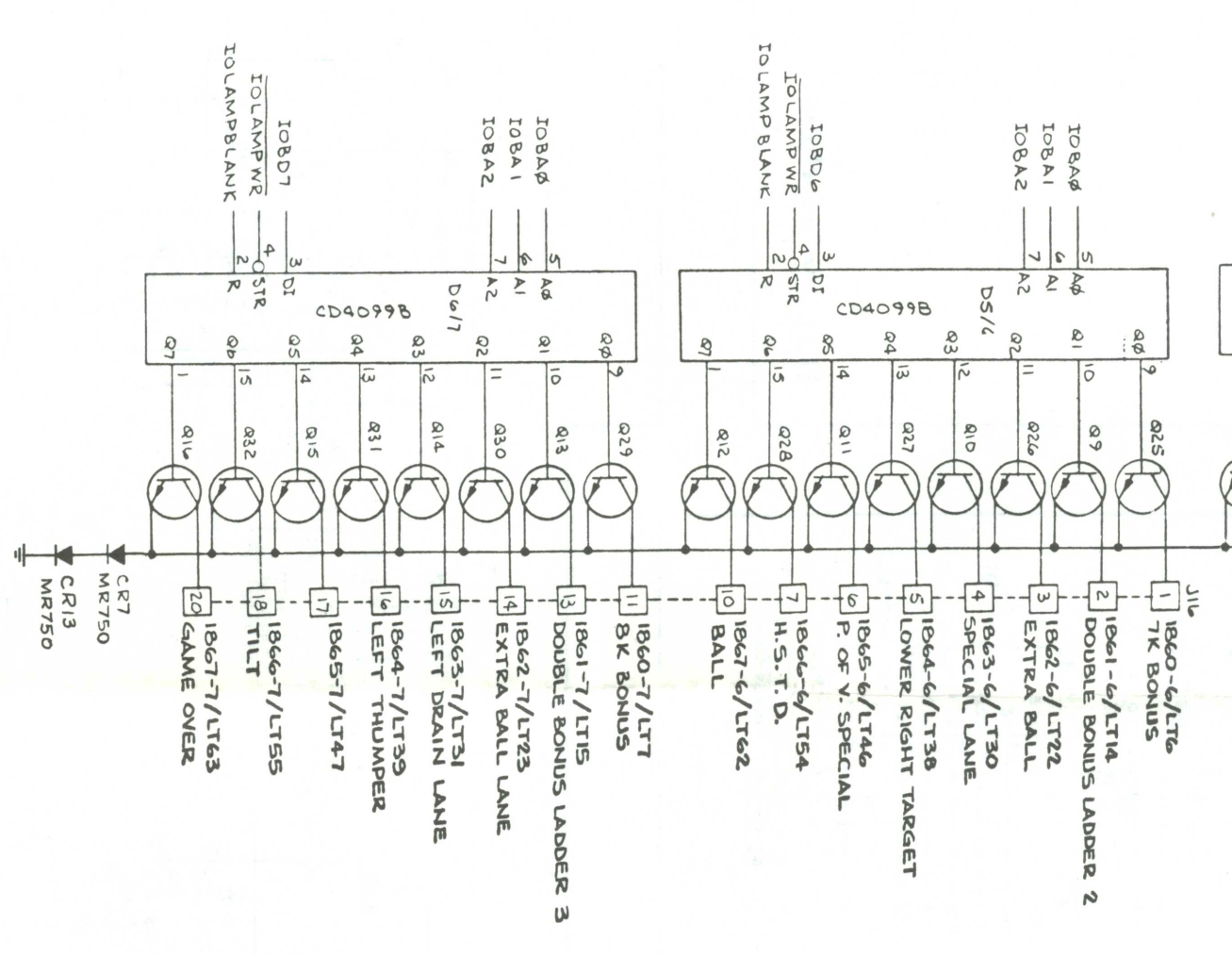
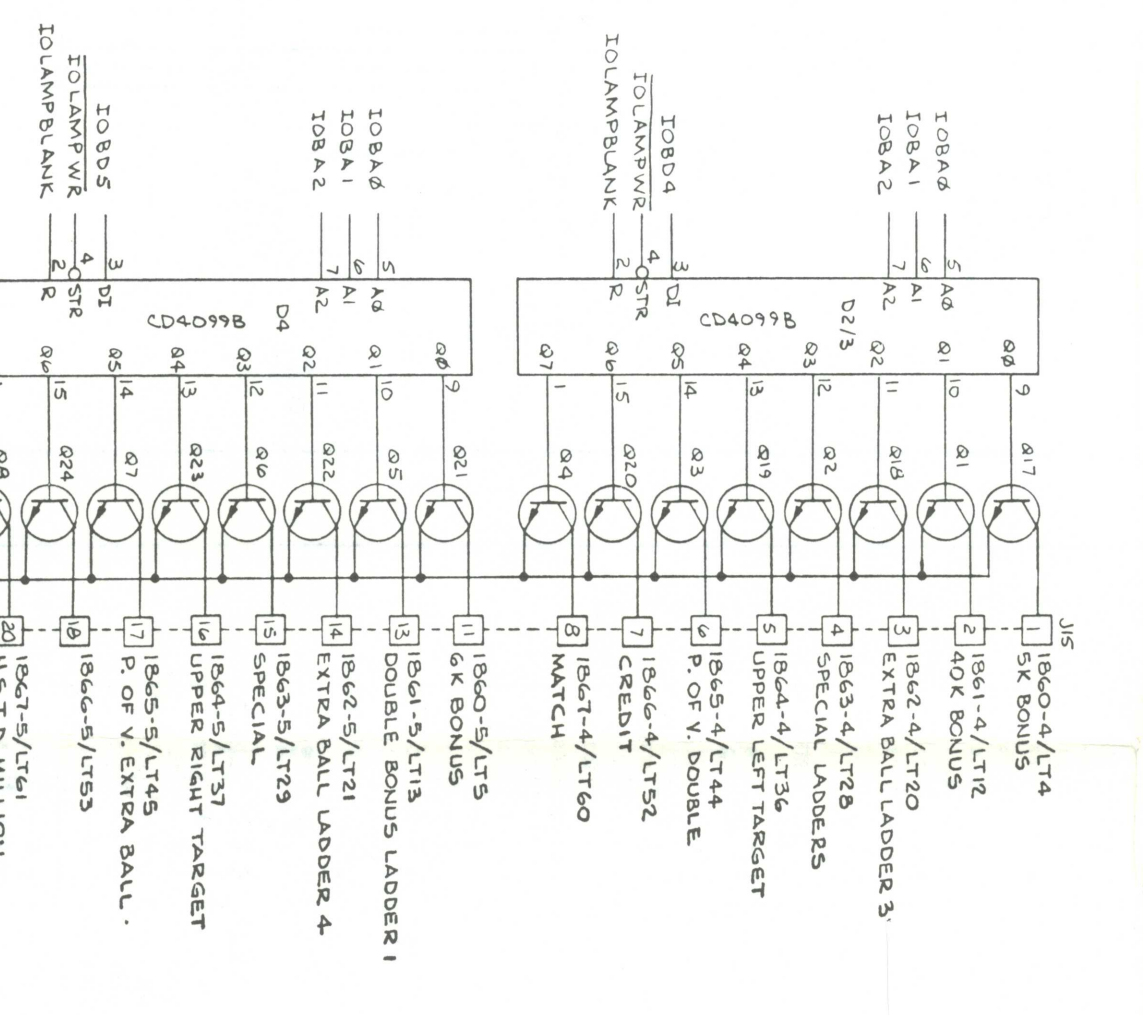
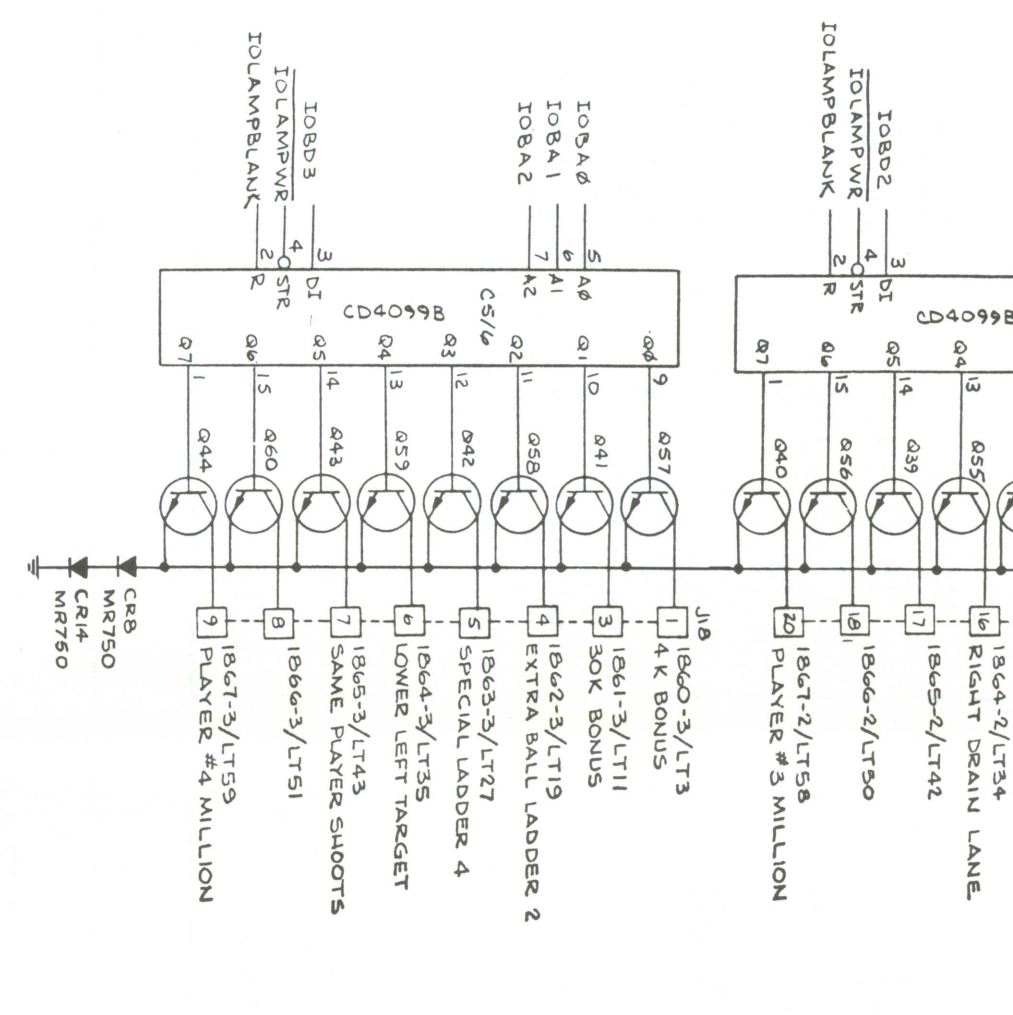
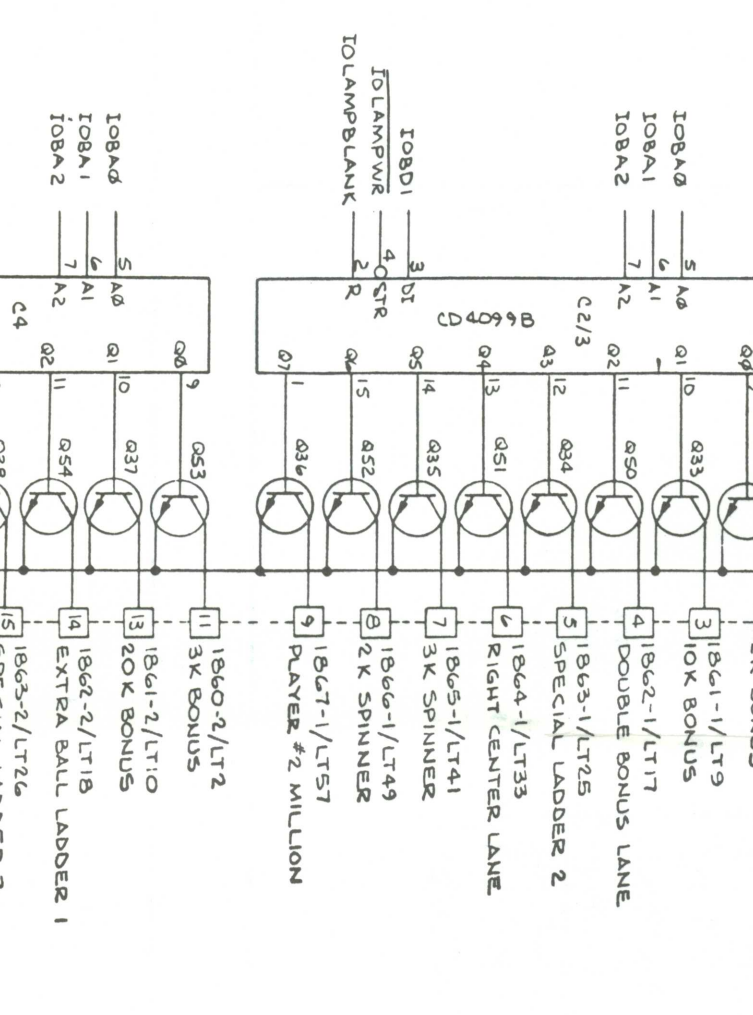
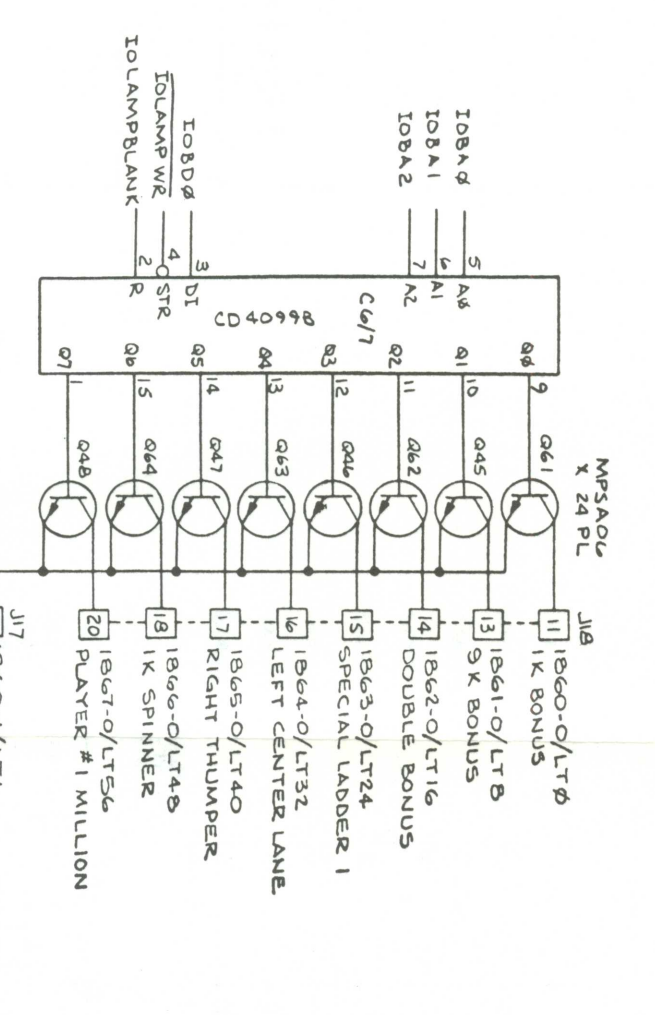


**Switch Interface**

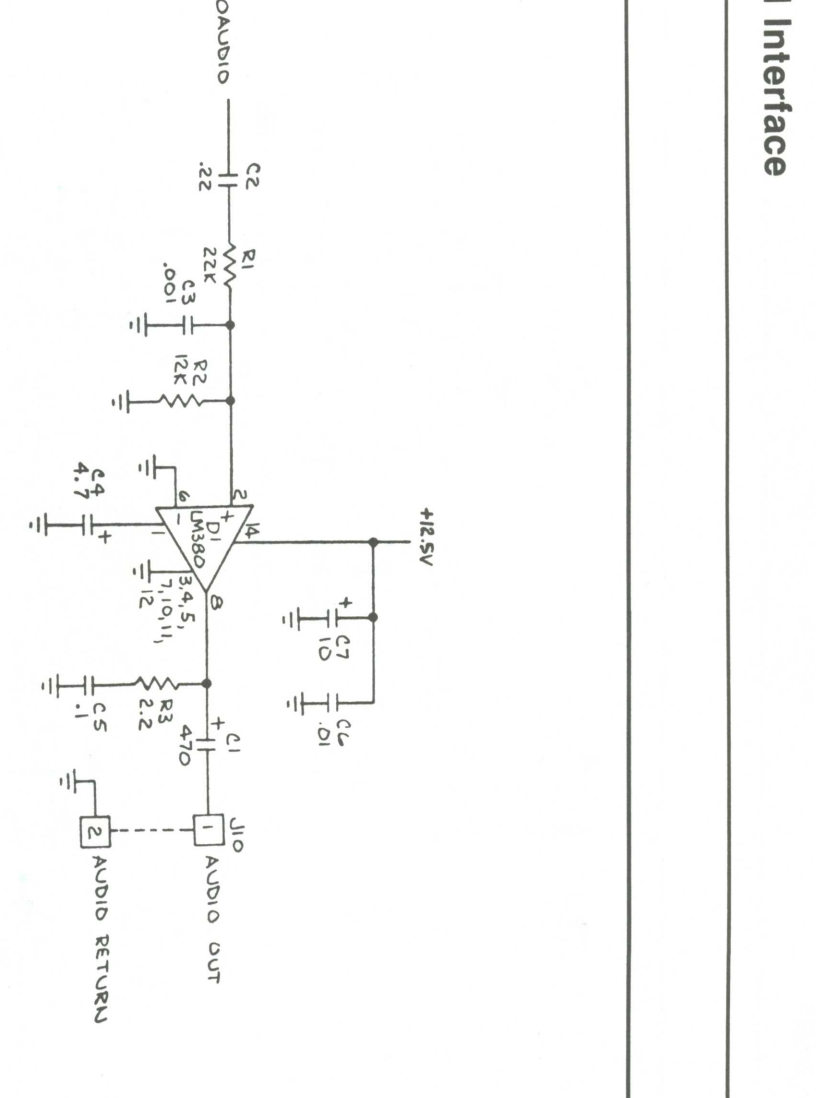
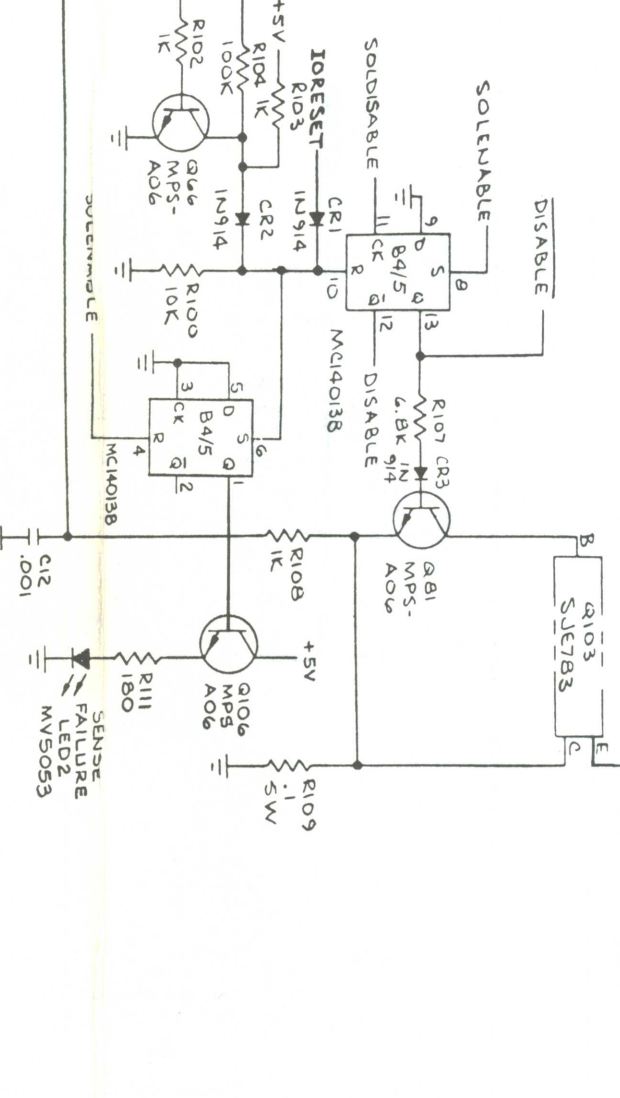
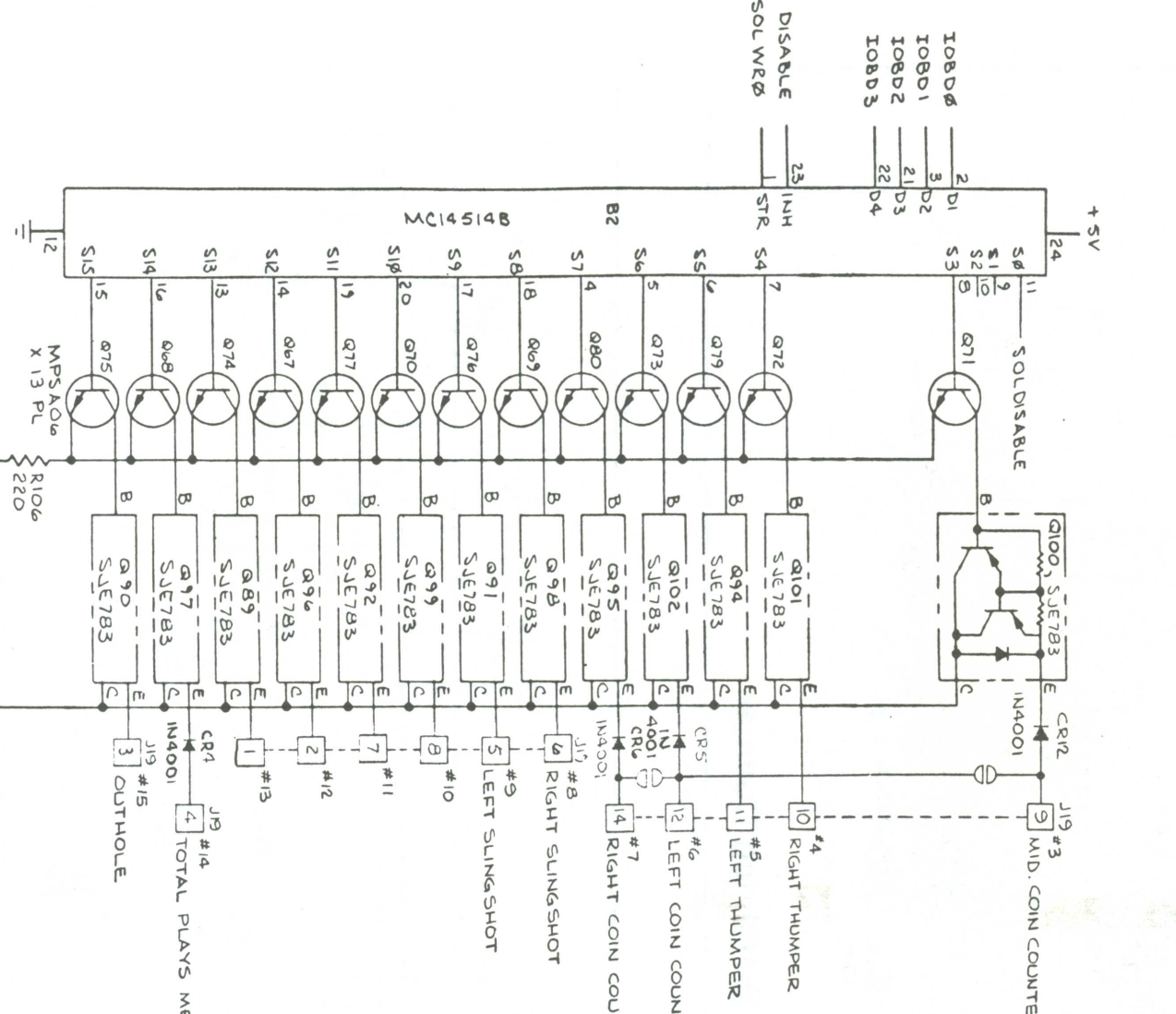
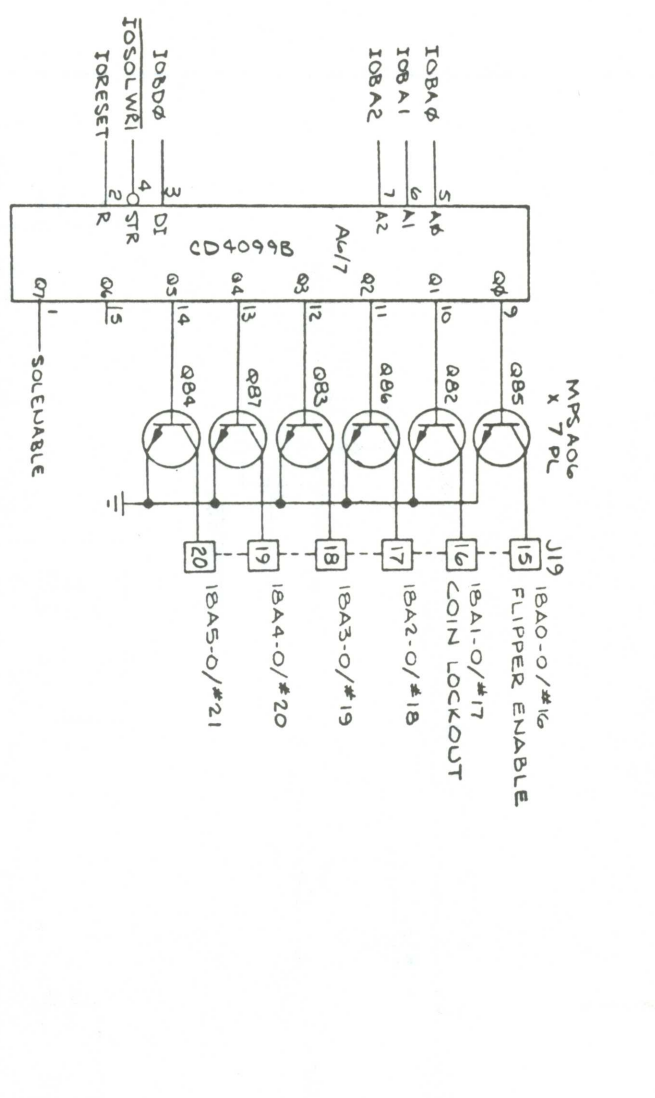
NOTES: JUMBERS OTHERWISE SPECIFIED  
 1. RESISTANCE VALUES ARE IN OHMS, I/W 5%;  
 2. CAPACITANCE VALUES ARE IN MICROFARADS.  
 3. UNLESS OTHERWISE SPECIFIED, ALL PARTS ARE TO BE MANUFACTURED BY THE FOLLOWING MANUFACTURERS:  
 RESISTORS: VISHAY, MFR. 2120 @ 1% 0.150 20A.  
 CAPACITORS: VISHAY, MFR. 2120 @ 1% 0.150 20A.



ATARI I/O PCB E  
 020836-02

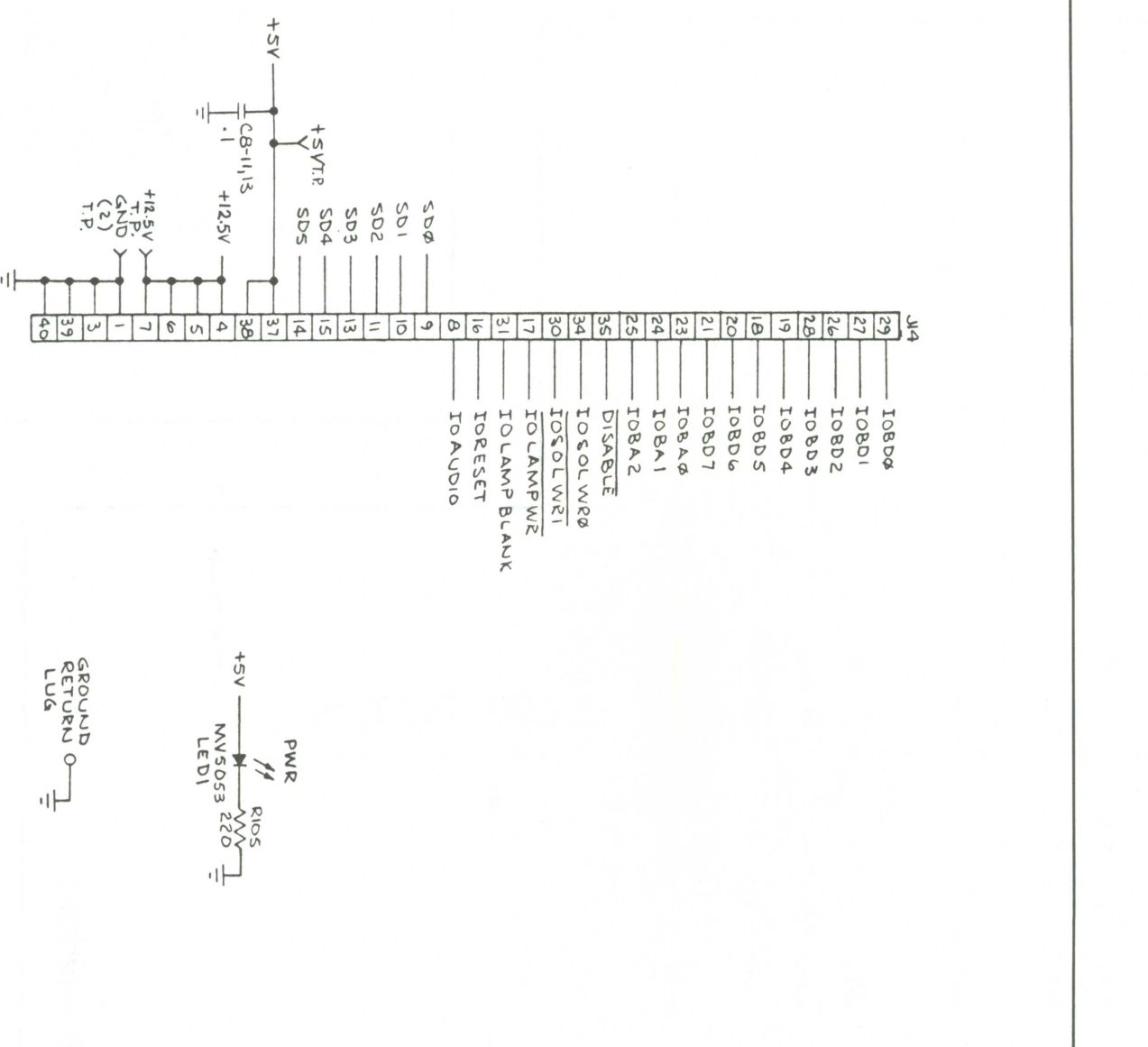


**Lamp Interface**



**Solenoid Interface**

**Audio Amplifier**



**Processor PCB Interface**