

SUPERMAN™

THE PINBALL GAME
Illustrated Parts Catalog



NOTE

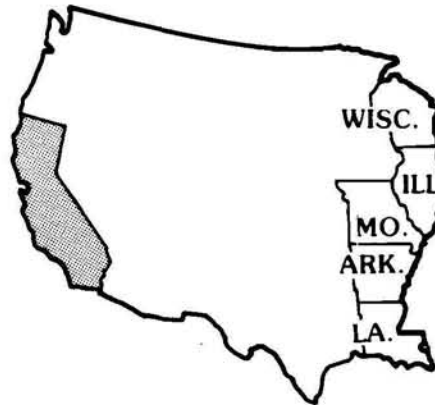
For ordering parts, contact the Atari Customer Service office that is in your geographical area, as shown in the two maps below.

WEST and CENTRAL U.S.A.

Atari Coin-Op Customer Service
1344 Bordeaux Drive, Sunnyvale, CA 94086
Telex 17-1103
(Monday - Friday, 7:30 - 4:00 pm Pacific Time)

From California, Alaska or
Hawaii, dial (408) 745-2900

From anywhere else in this
area, dial toll-free
(800) 538-1611



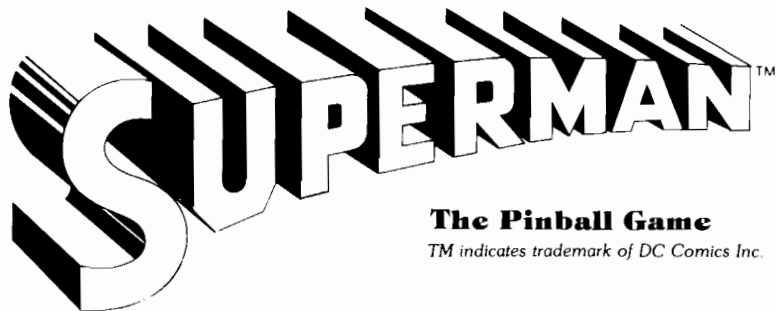
EAST U.S.A.

Atari Inc.
New Jersey Customer Service Office
44 Colonial Drive, Piscataway, NJ 08854
Telex 37-9347
(Monday - Friday, 8:30 - 5:00 pm Eastern time)

From New Jersey dial
(201) 981-0490

From anywhere else in this area,
dial toll-free (800) 631-5374





The Pinball Game

TM indicates trademark of DC Comics Inc.

Illustrated Parts Catalog

TABLE OF CONTENTS

FIGURE	TITLE	PAGE
1	Final Location Assy	2
2	Final Assy	4
3	Cabinet Assy	6
4	Coin Door Assy	8
5	Flipper Button and Switch	12
6	Ball Shooter	13
7	Start Switch	14
8	Back Box Assy	15
9	Power Supply and Harness Assy	16
10	Superman Processor Assy	20
11	Universal Processor Assy	22
12	I/O PCB Assy	28
13	Display and Driver Assy	32
14	Superman Playfield Assy	34
15	Ball Ejector Assy	38
16	Slingshot Assy	39
17	Left and Right Flipper Assy	40
18	One-Way Ball Gate Assy	41
19	5-Bank Drop Target	42
20	Stand-Up Switch Assy	43
21	Spinning Target	44
22	Thumper Bumper	45
23	Rollover Switch	46
24	Ball Ramp	47

This catalog copyright © 1979 by Atari, Inc.

No part of this publication may be reproduced by any mechanical, photographic, or electronic process, or in the form of a phonographic recording, nor may it be stored in a retrieval system, transmitted, or otherwise copied for public or private use, without permission from the publisher.

For permissions requests, write:

Atari Inc
1265 Borregas Avenue
P.O. Box 9027
Sunnyvale, California 94086

1H
Lithographed in the U.S.A.



A Warner Communications Company 

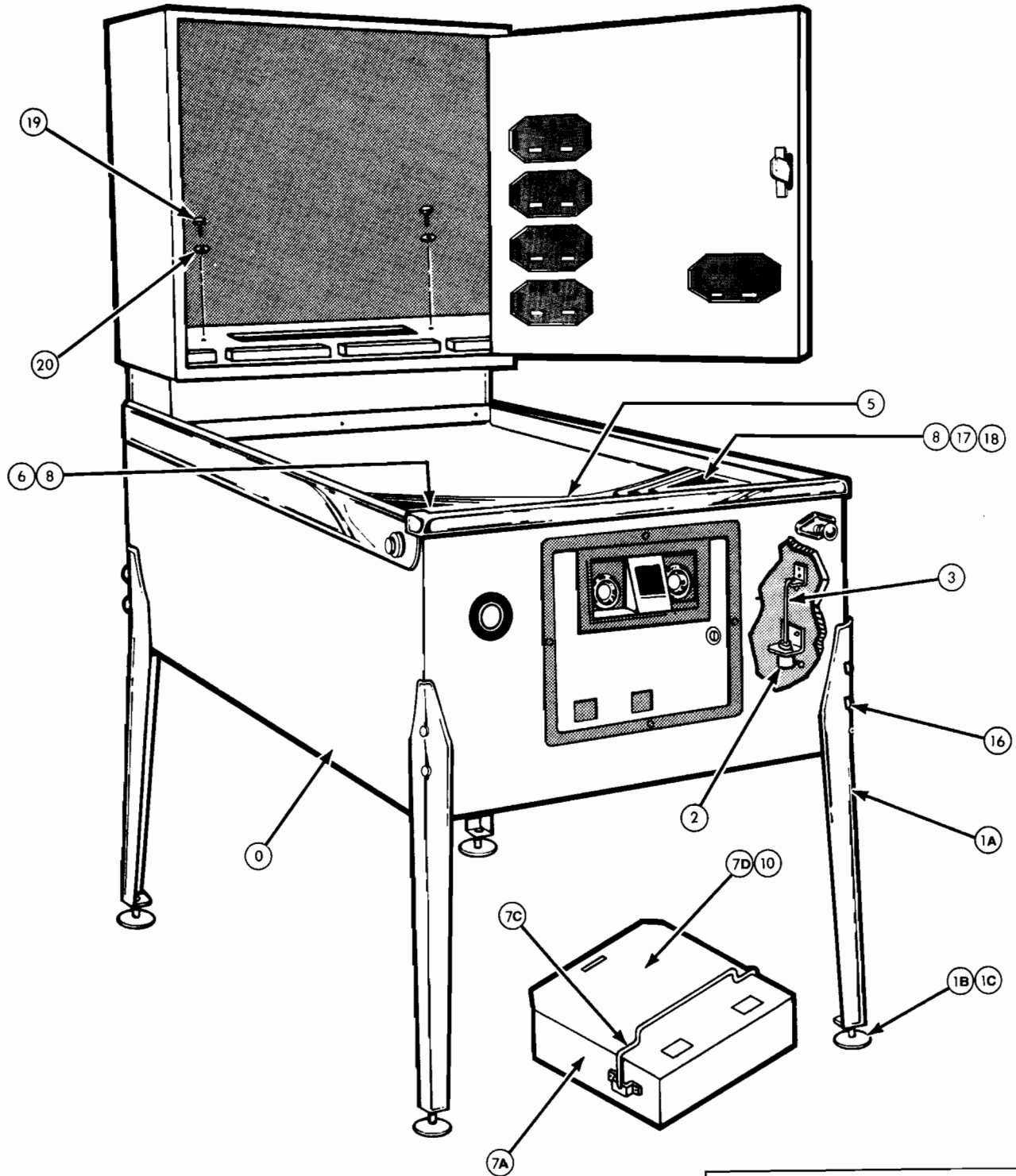


Figure 1
Final Location
GGC Rv A

NOTICE TO ALL PERSONS RECEIVING THIS DRAWING
 CONFIDENTIAL. Reproduction forbidden without the
 specific written permission of Atari, Inc., Sunnyvale,
 California. This drawing is only conditionally issued, and
 neither receipt nor possession thereof confers or transfers
 any right in, or license to use, the subject matter of the
 drawing or any design or technical information shown
 thereon, nor any right to reproduce this drawing or any part
 thereof, except for manufacture by vendors of Atari, Inc.,
 incorporated and for manufacture under the corporation's writ-
 ten license, no right to reproduce this drawing is granted
 or the subject matter thereof unless by written agreement
 with or written permission from the corporation.



**Figure 1 Final Location Assy
Parts List**

ITEM	PART NUMBER	QTY	DESCRIPTION	FOR MORE INFORMATION
	A021115-01	1	Final Assy	See Figure 2 See Figure 2
	A021115-02	1	Final Assy	
1	A006085-02	1	Legs Kit — Consists of the following	
1A	004999-04	4	Black Legs	
1B	78-3203	4	Leg Leveler	
1C	75-919	4	#3/8-16 Standard pattern hexagon machine nut	
2	004889-01	1	Pendulum Tilt Weight	
3	004895-01	1	Pendulum Tilt Shaft	
5	006713-01	1	Game Ball	
6	021120-01	1	Game Instruction Card	
7	A030268-01	1	Cash Box Assy — Consists of the following	
7A	030269-01	1	Cash Drawer	
7B	030249-01	1	Separator	
7C	030247-01	1	Handle	
7D	030245-01	1	Lid	
8	021426-01	2	Plastic Card Cover	
9	020881-01	1	Tube of Pinball Lubricant	
10	021121-01	1	Self-Test Instructions (Attached to item 7D, Cash Box Cover	
16	72-P938N	8	#3/8-16 × 2 3/8" Acorn Head Bolt	
17	021123-XX	1	Deck of Score Cards (Deck = 10 Cards; -01 thru -10)	
18	021124-XX	1	Deck of Coinage Cards (Deck = 15 Cards; -01 thru -15)	
19	72-5432	2	#3/8-16 × 2" Hex Head Machine Screw	
20	75-07031	2	Special Pattern Flat Washer	



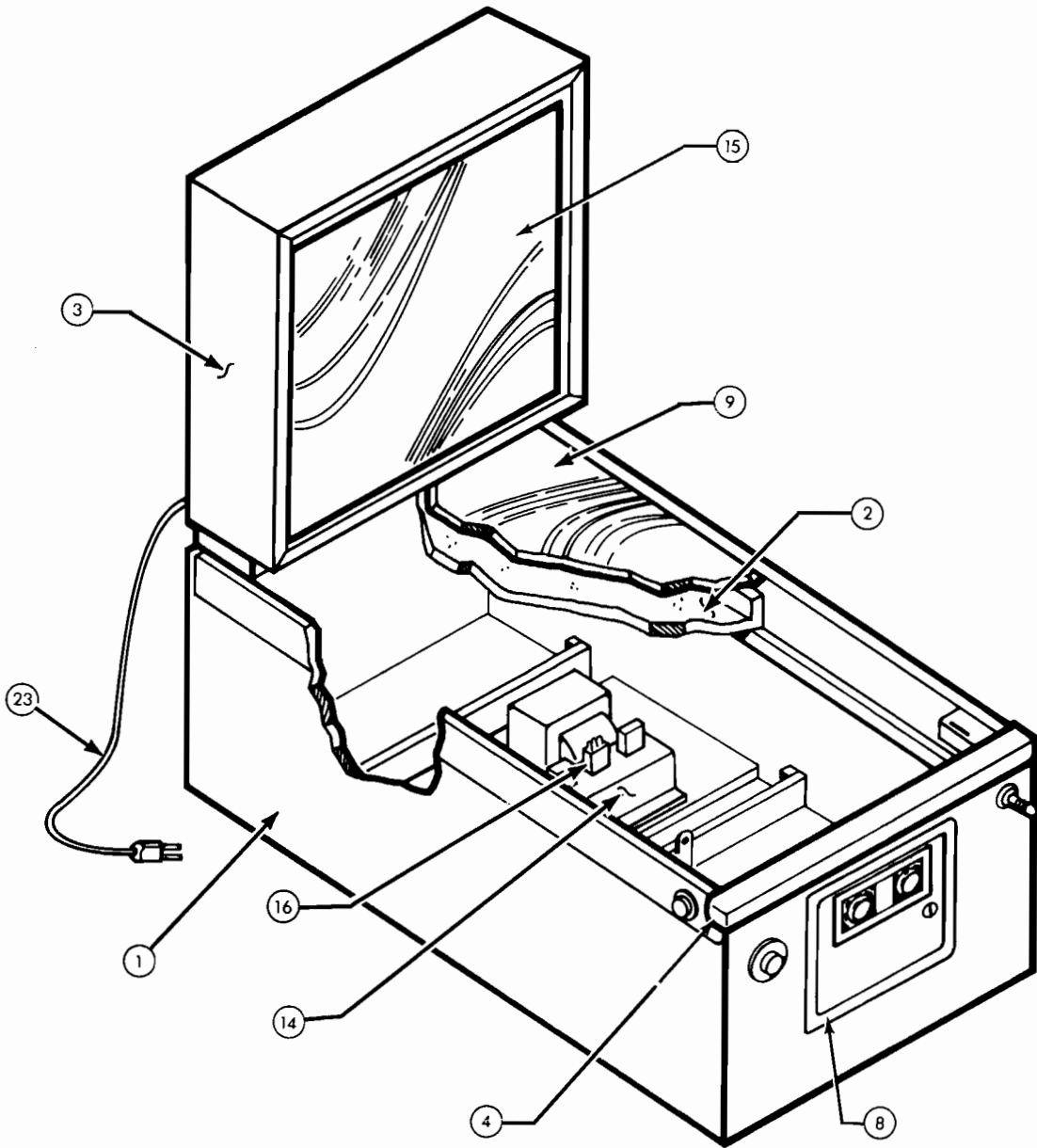


Figure 2
Final Assy
A021115-01 and -02 B

NOTICE TO ALL PERSONS RECEIVING THIS DRAWING
 CONFIDENTIAL. Reproduction forbidden without the
 specific written permission of Atari, Inc., Sunnyvale,
 California. This drawing is only conditionally issued, and
 neither receipt nor possession thereof confers or transfers
 any right in, or license to use, the subject matter of the
 drawing or any design or technical information shown
 thereon, nor any right to reproduce this drawing or any part
 thereof, except for manufacture by vendors of Atari, Inc.,
 incorporated and for manufacture under the corporation's writ-
 ten license, no right to reproduce this drawing is granted
 or the subject matter thereof unless by written agreement
 with or written permission from the corporation.



**Figure 2 Final Assy
Parts List**

ITEM	PART NUMBER	QTY	DESCRIPTION	FOR MORE INFORMATION
1	A021114-01	1	Cabinet Assy	See Figure 3
2	A021019-01	1	Playfield Assy with plastic Ball Ramp	See Figure 14
2	A021019-02	1	Playfield Assy with wooden Ball Ramp	See Figure 14
3	A021116-01	1	Back Box Assy	See Figure 8
4	A020690-01	1	Front Molding Assy	
8	A006794-16	1	Coin Door Assy—U.S. 25-cent operation	See Figure 4
8	A006794-17	1	Coin Door Assy—French 5-franc operation	See Figure 4
8	A006794-18	1	Coin Door Assy—German 1-deutschmark operation	See Figure 4
8	A006794-19	1	Coin Door Assy—Swedish 1 Krona operation	See Figure 4
8	A006794-20	1	Coin Door Assy—Japanese 100-yen operation	See Figure 4
8	A006794-21	1	Coin Door Assy—United Kingdom 10-pence operation	See Figure 4
8	A006794-22	1	Coin Door Assy—Australian 20-cent operation	See Figure 4
8	A006794-23	1	Coin Door Assy—German 1/2 deutschmark operation	See Figure 4
8	A006794-24	1	Coin Door Assy—French 1-franc operation	See Figure 4
8	A006794-25	1	Coin Door Assy—Thai 1-Baht operation	See Figure 4
8	A006794-26	1	Coin Door Assy—German 1/5 deutschmark operation	See Figure 4
8	A006794-27	1	Coin Door Assy—Italian 100-lira operation	See Figure 4
9	005957-01	1	Playfield Glass	
14	A021261-01	1	Primary Distribution Assy without Service Outlet	
14	A021261-02	1	Primary Distribution Assy with American Service Outlet	
14	A021261-03	1	Primary Distribution Assy with German Service Outlet	
15	A021139-01	1	Back Glass	
16	A021084-01	1	Voltage Selection Block for 100V operation	
16	A021084-02	1	Voltage Selection Block for 110V operation	
16	A021084-03	1	Voltage Selection Block for 200V operation	
16	A021084-04	1	Voltage Selection Block for 220V operation	
16	A021084-05	1	Voltage Selection Block for 240V operation	
23	A021131-01	1	Power Cord Assy for American operation	
23	A021131-02	1	Power Cord Assy for German operation	
23	A021131-03	1	Power Cord Assy for Australian operation	



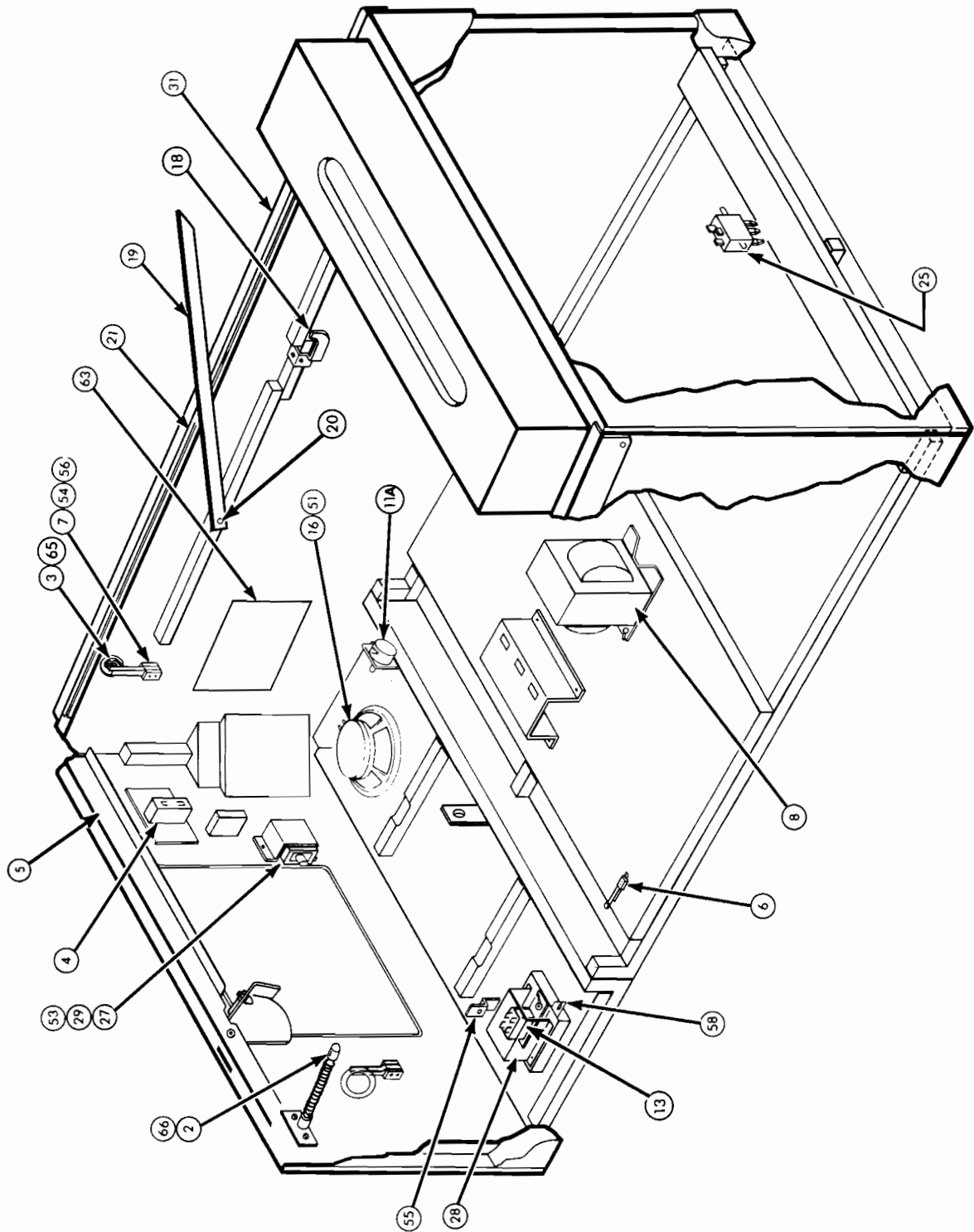


Figure 3
Cabinet Assy
A021114-01 and 02 C

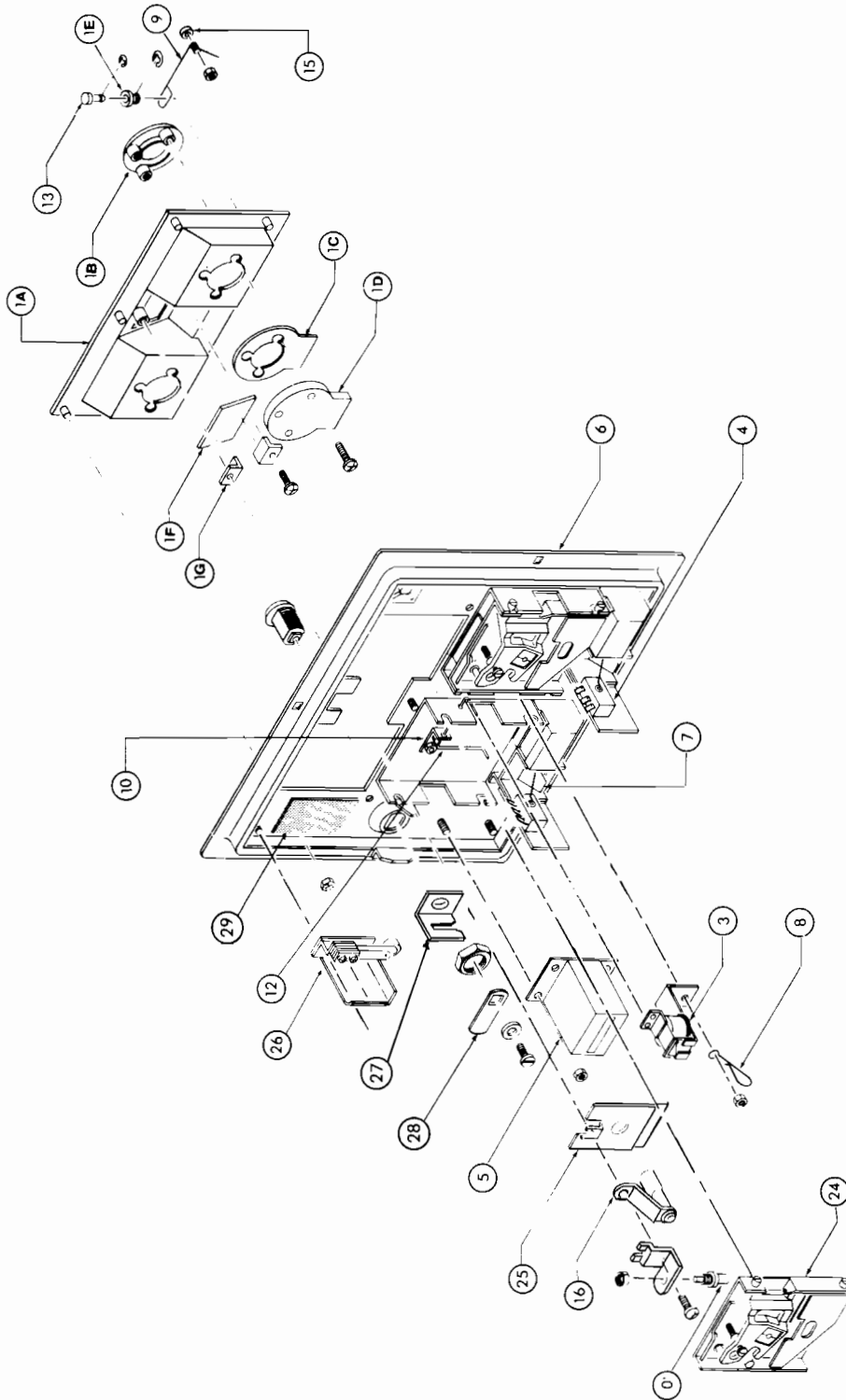
NOTICE TO ALL PERSONS RECEIVING THIS DRAWING
 CONFIDENTIAL: Reproduction forbidden without the
 specific written permission of Atari, Inc., Sunnyvale,
 California. This drawing is only conditionally issued, and
 neither receipt nor possession thereof confers or transfers
 any right in, or license to use, the subject matter of the
 drawing or any design or technical information shown
 thereon, nor any right to reproduce this drawing or any part
 thereof, except for manufacture by vendors of Atari, Inc.,
 incorporated and for manufacture under the corporation's writ-
 ten license, no right to reproduce this drawing is granted
 or the subject matter thereof unless by written agreement
 with or written permission from the corporation.



**Figure 3 Cabinet Assy
Parts List**

ITEM	PART NUMBER	QTY	DESCRIPTION	FOR MORE INFORMATION	
2	A004769-01	1	Ball Shooter Assy	See Figure 6 See Figure 5 See Figure 7	
3	A020895-01	2	Flipper Button Assy		
4	62-020	1	0.1 Amp @ 125 VAC SPDT Pushbutton Switch—Cherry #E68-50A		
5	A020695-01	1	Locking Base Assy		
6	A021482-01	1	Slam Switch Assy		
7	A020931-01	2	Flipper Button Switch Assy		See Figure 5
8	A021142-01	1	Transformer and Harness Assy		
11A	19-9029	1	100 ohm, 5 W Wiremound, Linear Taper, Potentiometer		
13	61-062A	1	10 amp @ 125 volt D.P.S.T. Toggle Switch		
16	000869-01	1	Speaker Grill		
17	020440-01	1	Right Stay Arm Bracket		
18	020440-02	1	Left Stay Arm Bracket		
19	004898-01	2	Support Arm		
20	004902-01	2	Flange Bushing		
21	004972-01	2	Playfield Glass Extrusion		
25	41-2009	1	10 Amp RFI Filter		
27	020436-01	1	Interlock Switch Safety Cover		
28	020435-01	1	On/Off Switch Safety Cover		
29	000268-02	1	Interlock Switch Bracket		
31	021063-01	1	Glass Retainer		
51	48-004	1	8 Ohm, 5 Watt, 5" Round Speaker		
53	68-002	1	30 Amp Interlock Switch—Cherry #E79-30A		
54	72-6420S	4	#4 x 1¼" Cross-Recessed Type AB Pan-Head Thread- Forming Steel Sheetmetal Screw		
55	004891-01	1	Tilt Mounting Bracket		
56	021105-01	2	Header Plate	See Figure 5	
58	004890-01	1	Tilt Contact Bracket		
63	021437-01	1	Solenoid and Switch Identification Lable		
65	75-9910N0	2	Palnut Sheetmetal Locknut	See Figure 6	





NOTICE TO ALL PERSONS RECEIVING THIS DRAWING
 CONFIDENTIAL. Reproduction forbidden without the
 specific written permission of Atari, Inc., Sunnyvale,
 California. This drawing is only conditionally issued, and
 neither receipt nor possession thereof confers or transfers
 any right in, or license to use, the subject matter of the
 drawing or any design or technical information shown
 thereon, nor any right to reproduce this drawing or any part
 thereof, except for manufacture by vendors of Atari, Inc., incor-
 porated and for manufacture under the corporation's writ-
 ten license. No right to reproduce this drawing is granted
 or the subject matter thereof unless by written agreement
 with or written permission from the corporation.

Figure 4
 Coin Door Assy



**Figure 4 Coin Door Assy
Parts List**

ITEM	PART NUMBER	QTY	DESCRIPTION
0	62-030	1	Subminiature Momentary-Contact Normally-Open SPST Switch—C & K #30-3 Switch identified with Test designation.
	020443-01	1	Test Switch Bracket Used for mounting TEST switch
	A006794-16	1	U.S. 25-Cent Coin Door Assy — Consists of items listed after A006794-27
	A006794-17	1	French 5-Franc Coin Door Assy — Consists of items listed after A006794-27
	A006794-18	1	German 1-Deutschmark Coin Door Assy — Consists of items listed after A006794-27
	A006794-19	1	Swedish 1-Krona Coin Door Assy — Consists of items listed after A006794-27
	A006794-20	1	Japanese 100-Yen Coin Door Assy — Consists of items listed after A006794-27
	A006794-21	1	United Kingdom 10-New Pence (1-Florin) Coin Door Assy — Consists of items listed after A006794-27
	A006794-22	1	Australian 20-Cent Door Assy — Consists of items listed after A006794-27
	A006794-23	1	German 1/5-Deutschmark Coin Door Assy — Consists of items listed after A006794-27
	A006794-24	1	French 1-Franc Coin Door Assy — Consists of items listed after A006794-27
	A006794-25	1	Thai 1-Baht Coin Door Assy — Consists of items listed after A006794-27
	A006794-26	1	1/5-Deutschmark Coin Door Assy — Consists of items listed after A006794-27
	A006794-27	1	100-Lira Coin Door Assy — Consists of items listed as follows:
1	A007637-16	1	Front Bezel Assy — Consists of items 1A thru 1G Used only on Coin Door A006794-16
1	A007637-17	1	Front Bezel Assy — Consists of items 1A thru 1G Used only on Coin Door A006794-17
1	A007637-18	1	Front Bezel Assy — Consists of items 1A thru 1G Used only on Coin Door A006794-18
1	A007637-19	1	Front Bezel Assy — Consists of items 1A thru 1G Used only on Coin Door A006794-19
1	A007637-20	1	Front Bezel Assy — Consists of items 1A thru 1G Used only on Coin Door A006794-20
1	A007637-21	1	Front Bezel Assy — Consists of items 1A thru 1G Used only on Coin Door A006794-21
1	A007637-22	1	Front Bezel Assy — Consists of items 1A thru 1G Used only on Coin Door A006794-22
1	A007637-23	1	Front Bezel Assy — Consists of items 1A thru 1G Used only on Coin Door A006794-23
1	A007637-24	1	Front Bezel Assy — Consists of items 1A thru 1G Used only on Coin Door A006794-24
1	A007637-25	1	Front Bezel Assy — Consists of items 1A thru 1G Used only on Coin Door A006794-25
1	A007637-26	1	Front Bezel Assy — Consists of items 1A thru 1G Used only on Coin Door A006794-26
1	A007637-27	1	Front Bezel Assy — Consists of items 1A thru 1G Used only on Coin Door A006794-27
1A	004328-01	1	Bezel
	75-991401	6	Thread Cutting Nut—PALNUT #SR188006 Used for attaching Bezel to Coin Door Weldment (item 6)
1B	004330-02	2	Ring Used only on Coin Door A007637-16, -17, and -19



**Figure 4 Coin Door Assy
Parts List**

ITEM	PART NUMBER	QTY	DESCRIPTION
1B	009153-02	2	Ring Used only on right side of Coin Door A007637-18, -20 and -24
1B	007752-02	2	Ring Used only on Coin Door A007637-21 and -22
1B	030677-02	2	Ring Used only on left side of Coin Door A007637-25 and -27
1B	030677-02	1	Ring Used only on Coin Door A007637-23
1B	009153-02	1	Ring Used only on Coin Door A007637-21 and -26
1B	007752-02	1	Ring Used only on right side of Coin Door A007637-26
1C	004331-01	2	Coin Shield
1D	004332-02	2	Primary Coin Chute
	72-CL606	6	#6-32 x 3/8" Phillips Pan-head, thread rolling, self-threading, steel machine screw Used for attaching Ring Coin Shield and Primary Coin Chute to Bezel
1E	004327-01	2	Scavenger Button Bearing
	73-3009	2	Retaining Ring for Shaft Diameter of 0.375" — TRUARC #5103-37 Used for attaching Scavenger Button Bearing to Bezel
1F	004343-01	1	25-Cent Price Plate
1F	004343-06	1	5-Franc Price Plate
1F	004343-04	1	1-Deutschmark Price Plate
1F	004343-03	1	1-Krona Price Plate
1F	004343-05	1	100-Yen Price Plate
1F	004343-02	1	10-New Pence (1-Florin) Price Plate
1F	004343-07	1	Australian 20-Cent Price Plate
1F	004343-08	1	1/2"-Deutschmark Price Plate
1F	004343-09	1	1-Franc Price Plate
1F	004343-10	1	1-Baht Price Plate
1F	004343-11	1	1/5-Deutschmark Price Plate
1F	004343-12	1	100-Lira Price Plate
1G	04329-01	2	Price Plate Clamp Used for attaching Price Plate to the Bezel
	75-046	2	#6 Cadmium-Plated Split-Lock Washer
	72-1604s	1	#6-32 x 1/4" Cross-Recessed Pan-Head Steel Machine Screw Used for attaching bottom Price Plate Clamp to Bezel.
	72-CL606	1	#6-32 x 3/8" Phillips, pan-head, thread rolling, self-threading, steel machine screw Top Price Plate Clamp is attached to bezel with screw fed thru Test Switch Bracket (item 0) and Anti-Probe Plate (item 25).
3	A030362-01	1	Coin Lock-Out Assy
	75-946S	2	#6-32 POLYMER Self-Locking Hex Nut Used for attaching Key Loop and Coin Lock-Out Assy to Coin Door Weldment studs
4	A007640-01	2	Coin Switch Assy — Consists of items 4A thru 4C. Please note mounting position method of eliminating "Free game for punching coin door
4A	004342-01	1	Switch Mounting Plate
	75-946S	2	Locknut #6-32 used to hold Switch Mounting Plate on studs from Secondary Coin Chute item 7
4B	65-441C	1	Miniature Switch — OMRON C-563-3



**Figure 4 Coin Door Assy
Parts List**

ITEM	PART NUMBER	QTY	DESCRIPTION
	72-HA4412C	2	#4-40 x 3/4" Cross-recessed tri-fluted thread-forming, taptite, cadmium plated screw
5	A002465-01	1	Coin Counter Assy — Consists of items 5A thru 5C
5A	47-1002	1	Digital Counter
5B	79-58027	1	3-Circuit Plug Shell - Molex #03-09-1031
5C	79-20115	2	Connector Terminal Contact — Molex #02-09-2118
	75-946S	4	#6-32 Locknut Used for attaching Coin Counter Assy to Coin Door Weldment studs
6	004320-01	1	Coin Door Weldment
7	004341-01	2	Secondary Coin Chute
8	004344-01	1	Key Loop
9	004340-01	2	Return Spring } Used only on A006794-18, -23, and -26 only
	75-946S	2	#6-32 Locknut } Used for attaching Spring to Weldment Studs
10	004337-01	2	Bracket, Wire Form
	75-946S	4	#6-32 Locknut Used for attaching Bracket to Weldment Studs
	004338-01	1	Lockout Wireform, Right Hand
12	004336-01	1	Lockout Wireform, Left Hand
13	004326-01	2	Scavenger Button
	73-3008	2	'C' Ring Spacer Used to hold Scavenger Button
15	006904-01	2	Spacer
16	79-4318	1	Lamp Socket
	70-11-47	1	Lamp
	75-946S	1	#6-32 Locknut Used for attaching Lamp Socket to Weldment Stud
	008629-01	2	Return Spring Used to hold Coin Mech in place
23	71-2118	1	Lock Assembly, Hudson
24	71-1225CU	2	Coin Mech - 25-Cents for A006794-16
24	71-125FB	2	Coin Mech - 5-Franc for A006794-17
24	71-1201MG	2	Coin Mech - 1 Deutschmark for A006794-18
24	71-1201KS	2	Coin Mech - 1 Krona for A006794-19
24	71-12100YJ	2	Coin Mech - 100 Yen for A006794-20
24	71-1210PE	2	Coin Mech - 10-New Pence (1-Florin) for A006794-21
24	71-1220CA	2	Coin Mech - Australian 20 Cent for A006794-22
24	71-1201MG	1	Coin Mech - 1 Deutschmark for A006794-23
24	71-1202MG	1	Coin Mech - 2 Deutschmark for A006794-23
24	71-1201FF	2	Coin Mech - 1 Franc for A006794-24
24	71-1201BT	2	Coin Mech - 1 Baht for A006794-25
24	71-1201MG	1	Coin Mech - 1 Deutschmark for A006794-26
24	71-1205MG	1	Coin Mech - 5 Deutschmark for A006794-26
24	71-120100LI	1	Coin Mech - 100 Lire for A006794-27
25	007753-01	1	Anti-Probe Plate
26	A007638-01	1	Slam Switch Assy
	75-946S	2	#6-32 Locknut Used to hold Slam Switch Assy to Weldment Stud
27	033368-01	1	Lock Bracket
28	033369-01	1	Lock Arm
29	033371-01	1	Slam Switch Insulator



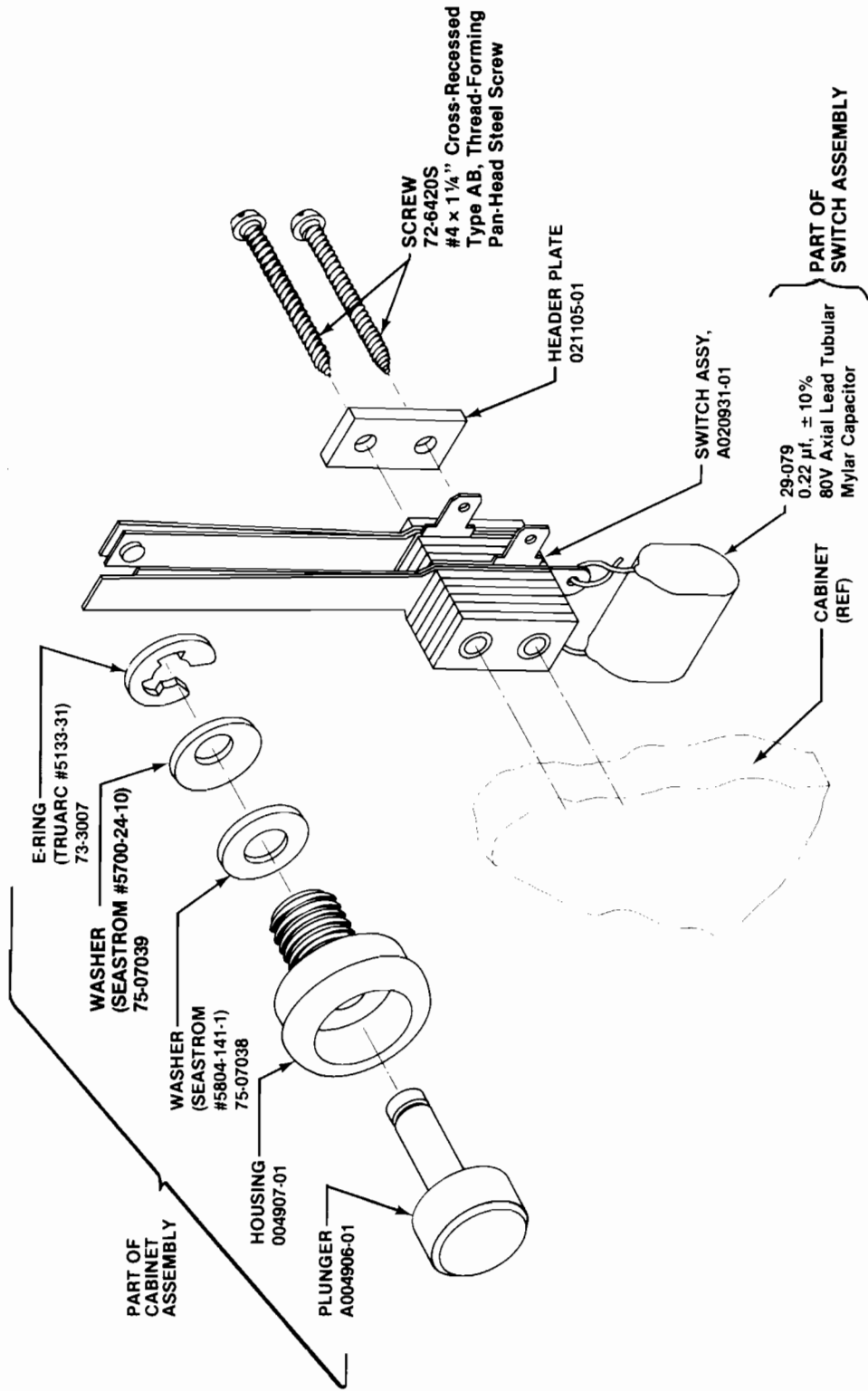
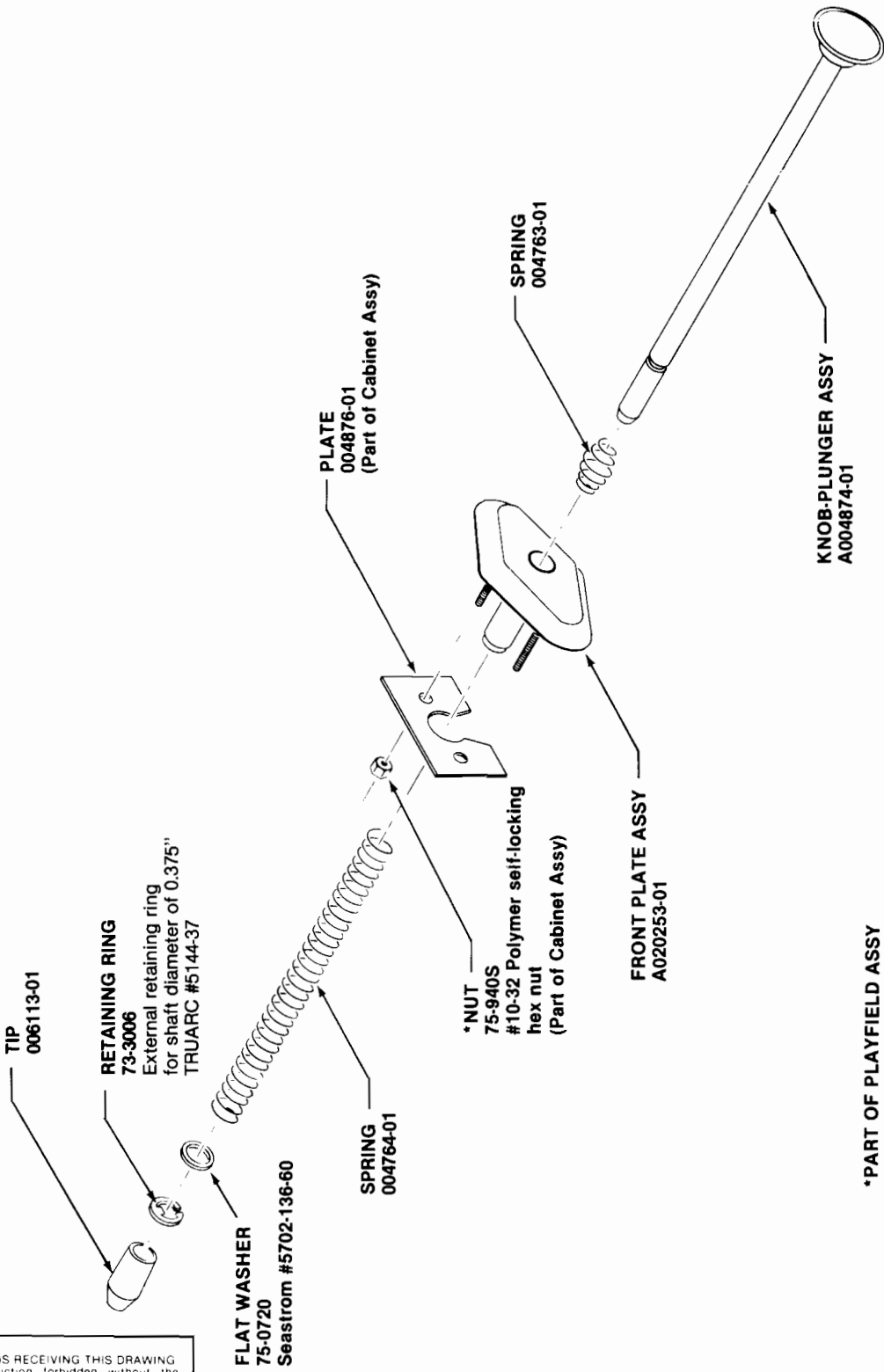


Figure 5
Flipper Button and Switch

NOTICE TO ALL PERSONS RECEIVING THIS DRAWING
 CONFIDENTIAL. Reproduction forbidden without the
 specific written permission of Atari, Inc., Sunnyvale,
 California. This drawing is only conditionally issued,
 and neither receipt nor possession thereof confers or transfers
 any right in, or license to use, the subject matter of the
 drawing or any design or technical information shown
 thereon, nor any right to reproduce this drawing or any part
 thereof, except for manufacture by vendors of Atari, Incor-
 porated and for manufacture under the corporation's writ-
 ten license, no right to reproduce this drawing is granted
 or the subject matter thereof unless by written agreement
 with or written permission from the corporation.



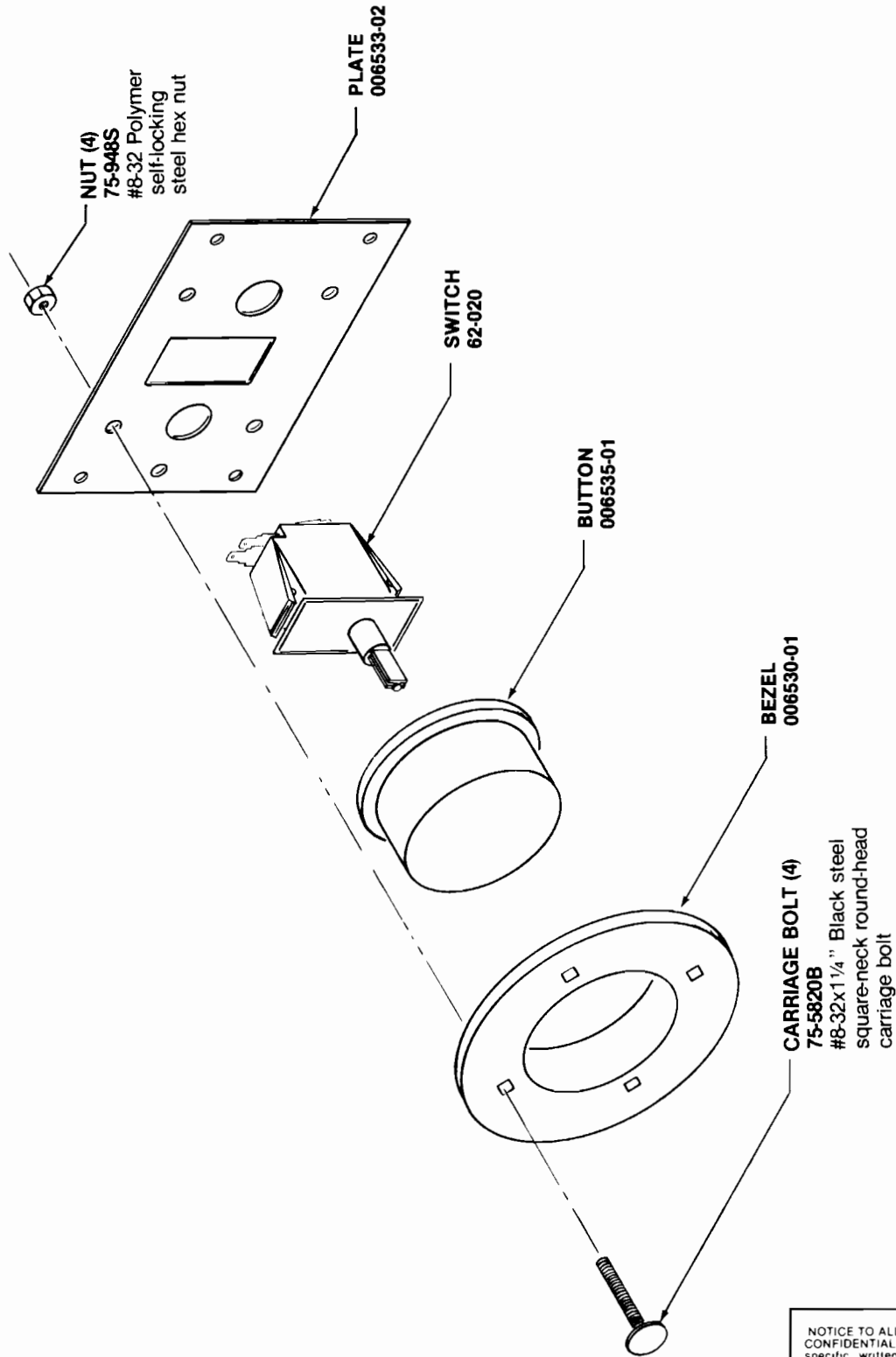
NOTICE TO ALL PERSONS RECEIVING THIS DRAWING
 CONFIDENTIAL. Reproduction forbidden without the
 specific written permission of Atari, Inc., Sunnyvale,
 California. This drawing is only conditionally issued and
 neither receipt nor possession thereof confers or transfers
 any right in, or license to use, the subject matter of the
 drawing or any design or technical information shown
 thereon, nor any right to reproduce this drawing or any part
 thereof, except for manufacture by vendors of Atari, Incor-
 porated and for manufacture under the corporation's writ-
 ten license. No right to reproduce this drawing is granted
 or the subject matter thereof unless by written agreement
 with or written permission from the corporation.



*PART OF PLAYFIELD ASSY



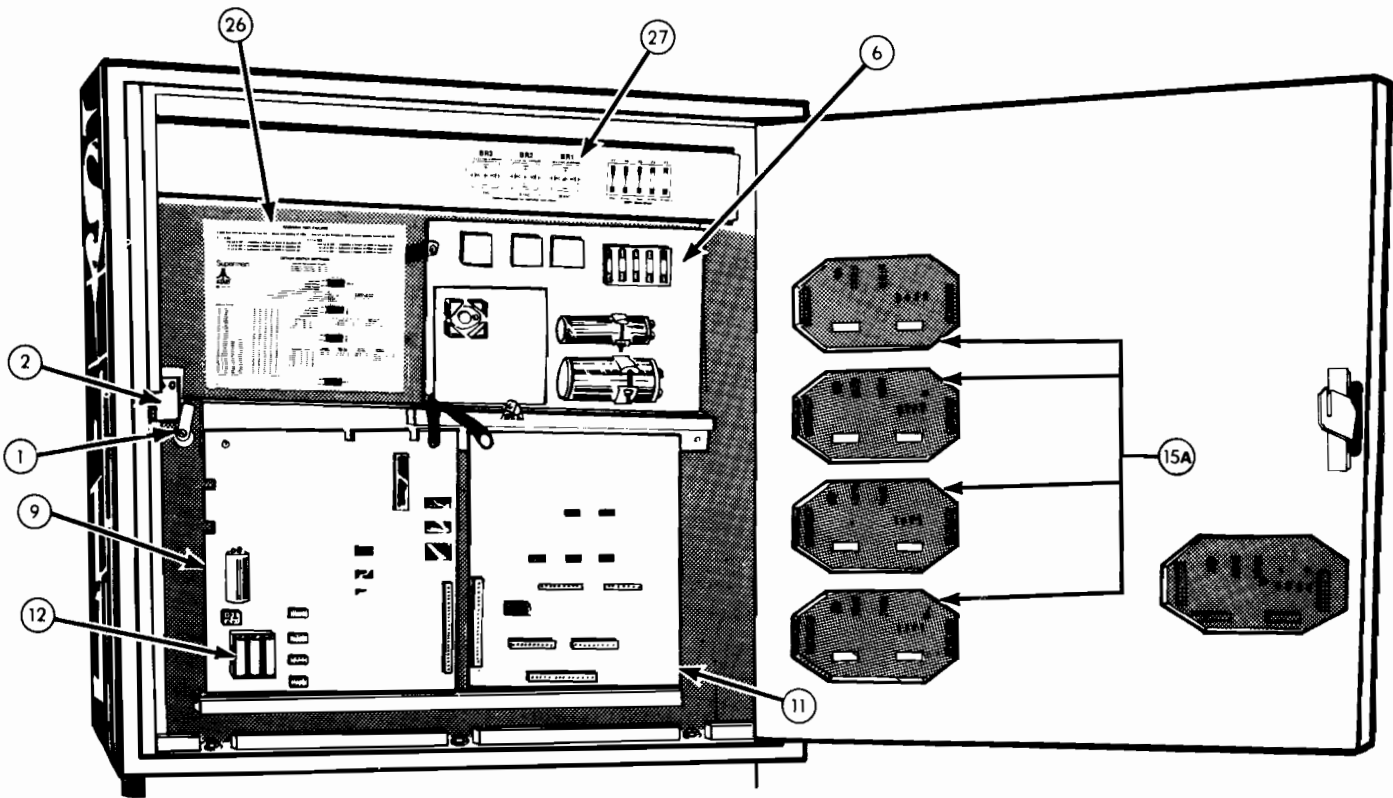
Figure 6
 Ball Shooter
 A004769-01 D



NOTICE TO ALL PERSONS RECEIVING THIS DRAWING
 CONFIDENTIAL. Reproduction forbidden without the
 specific written permission of Atari, Inc., Sunnyvale,
 California. This drawing is only conditionally issued, and
 neither receipt nor possession thereof confers or transfers
 any right in, or license to use, the subject matter of the
 drawing or any design or technical information shown
 thereon, nor any right to reproduce this drawing or any part
 thereof, except for manufacture by vendors of Atari, Incor-
 porated and for manufacture under the corporation's writ-
 ten license, no right to reproduce this drawing is granted
 or the subject matter thereof unless by written agreement
 with or written permission from the corporation.

Figure 7
 Start Switch Assy
 A007010-01 A





ITEM	PART NUMBER	QTY	DESCRIPTION	FOR MORE INFORMATION
1	71-2117	1	Hudson Panel Lock Assy—CR73A569	
2	021066-01	1	Door Spring	
6	A021260-01	1	Power Supply and Harness Assy—Attached to Back Box with the following two items.	See Figure 9
	72-6816S	2	#8 x 1" Cross-Recessed, Type AB, Pan-Head, Thread Forming, Steel Screw	
	75-018S	2	#8 Regular Pattern SAE Standard Plain Flat Steel Washer	
9	A020994-XX	1	Superman Processor PCB—Attached to Back Box with the following item.	See Figure 10
	72-6608S	2	#6 x 1/2" Cross-Recessed, Type AB, Pan-Head Thread Forming, Steel Screw	
11	A020836-01	1	I/O PCB Assy—Attached to Back Box with the following item.	See Figure 12
	72-6608S	2	#6 x 1/2" Cross-Recessed, Type AB, Pan-Head Thread Forming, Steel Screw	
12	90-406	3	Size AA Alkaline Batteries	
15	A021141-01	1	Back Box Door Assy—Includes the following item.	
15A	A021266-01	5	Display and Driver PCB	See Figure 13
26	021295-01	1	Option Switch Label	
27	021295-01	1	Power Supply Label	

NOTICE TO ALL PERSONS RECEIVING THIS DRAWING
 CONFIDENTIAL. Reproduction forbidden without the
 specific written permission of Atari, Inc., Sunnyvale,
 California. This drawing is only conditionally issued, and
 neither receipt nor possession thereof confers or transfers
 any right in, or license to use, the subject matter of the
 drawing or any design or technical information shown
 thereon, nor any right to reproduce this drawing or any part
 thereof, except for manufacture by vendors of Atari, Incor-
 porated and for manufacture under the corporation's writ-
 ten license, no right to reproduce this drawing is granted
 or the subject matter thereof unless by written agreement
 with or written permission from the corporation.



Figure 8
 Back Box Assy
 A02116-01 C

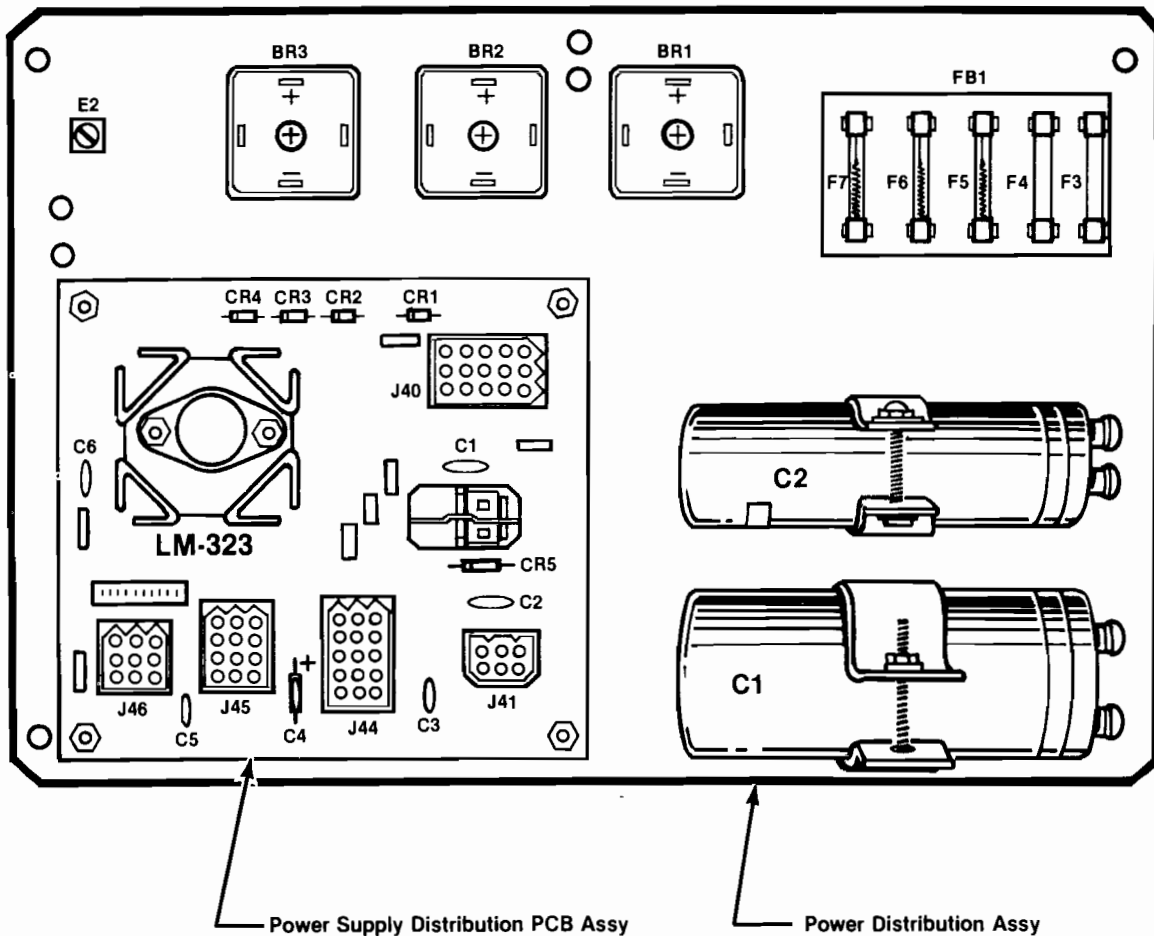


Figure 9
 Power Supply and Harness Assy
 A021260-01 B

NOTICE TO ALL PERSONS RECEIVING THIS DRAWING
 CONFIDENTIAL. Reproduction forbidden without the
 specific written permission of Atari, Inc., Sunnyvale,
 California. This drawing is only conditionally issued and
 neither receipt nor possession thereof confers or transfers
 any right in, or license to use, the subject matter of the
 drawing or any design or technical information shown
 thereon, nor any right to reproduce this drawing or any part
 thereof, except for manufacture by vendors of Atari, Incor-
 porated and for manufacture under the corporation's writ-
 ten license. No right to reproduce this drawing is granted
 or the subject matter thereof unless by written agreement
 with or written permission from the corporation.



**Figure 9 Power Supply and Harness Assy
Parts List**

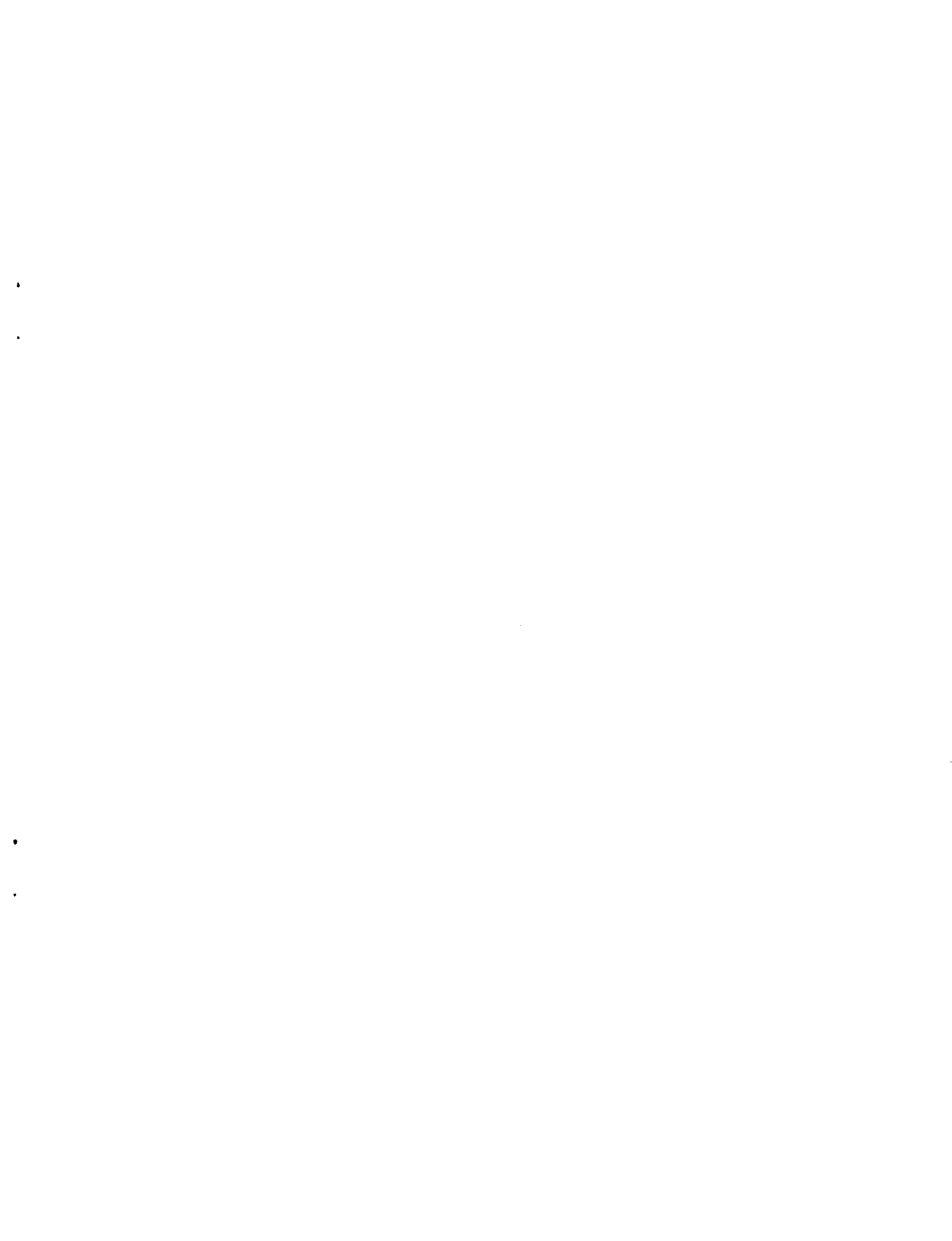
DESIG-NATION	LOCATION	ITEM	PART NUMBER	DESCRIPTION
F3,F4		6	46-302152	15Amp @ 250V 3ABSlow-Blow— BUSSMAN #MDA 15
F5		7	46-2017002	7A @ 250V 3AB Slow-Blow— BUSSMAN #MDA 7
F6		8	46-302102	10A @ 250V 3AB Slow-Blow— BUSSMAN #MDA 10
F7		9	46-2011002	1Amp @ 250V 3AG Slow-Blow— BUSSMAN #MDL 1
		1	A021265-01	Harness and Fuse Holder Assy
		2	A021005-01	Power Distribution Assy
Power Distribution Assy A021005-01 Rv C, consists of the following:				
C1		5	29-082	6,500uf, + 75%, - 10%, 75VDC Electrolytic Can Capacitor
		7	78-70506SA	1½" Clamp—Used to mount Capacitor C1
		17	72-1024S	#10-32 x 2" Cross-Recessed Pan-Head Steel Machine Screw—Used to mount Capacitor C1
		21	75-010S	#10 Regular Pattern SAE Standard Plain Steel Flat Washer—Used to mount Capacitor C1
		19	75-99511	#10-32 Style 842 Special Small Pattern Kep Nut—Used to mount Capacitor C1
		18	72-1508S	#¼-20 x ½" Cross-Recessed Pan-Head Steel Machine Screw—Used for mounting Clamp, item 7
		20	75-99515	#¼-20 Style 842 Special Small Pattern Kep Nut— Used for mounting Clamp, item 7
	C2		6	29-074
19		8	78-705055A	1" Clamp—Used to mount Capacitor C2
		17	72-1024S	#10-32 x 2" Cross-Recessed Pan-Head Steel Machine Screw—Used to mount Capacitor C2
		21	75-010S	#10 Regular Pattern SAE Standard Plain Steel Flat Washer—Quantity of two used for mounting Capacitor C2
		19	75-99511	#10-32 Style 842 Special Small Pattern Kep Nut— Used to mount Capacitor C2
BR1-BR3		21	75-010S	Washer, Flat, #10, Steel
		18	72-1508S	#¼-20 x ½" Cross-Recessed Pan-Head Steel Machine Screw—Used to mount Clamp, item 8
		20	75-99515	¼-20 Style 842 Special Small Pattern Kep Nut—Used to mount Clamp, item 8
		3	3A-MDA3501	Bridge Rectifier
	16	72-HA4810S	#8-32 x 5/8" Cross-Recessed Pan-Head Steel Machine Screw—Used for mounting Rectifiers, item 16	
	2	A020921-01	Power Supply Distribution PCB Assy	
	22	74-5404NN	¼" x ¼" Non-Threaded Nylon Spacer—Quantity of four used for mounting Power Supply Distribution PCB Assy	
	15	75-014S	#4 Regular Pattern SAE Standard Plain Steel Flat Washer—Quantity of four used for mounting Power Supply Distribution PCB Assy	
	14	75-99514	#4-40 Style 842 Special Small Pattern Kep Nut— Quantity of four used for mounting Power Supply Distribution PCB Assy	



**Figure 9 Power Supply and Harness Assy
Parts List**

DESIG-NATION	LOCATION	ITEM	PART NUMBER	DESCRIPTION
				Power Supply Distribution PCB Assy A020921-01 Rv B, consists of the following:
C1-C3		2	27-101104	0.1uf, ± 20%, 100V Disc Ceramic Capacitor
C4		3	29-006	1uf, ± 20%, 35V Axial lead tantalum Capacitor
C5,C6		28	27-250104	0.1uf, ± 20%, 25V Disc Ceramic Capacitor
CR1		4	31-1N4001	General Purpose Silicon Rectifier Diode— Type 1N4001
CR2-CR4		27	31MR501	
CR5		4	31-1N4001	General Purpose Silicon Rectifier Diode— Type 1N4001
LM323		5	37-LM323	+ 5V @ 3 Amps Voltage Regulator— Type LM323
		7	72-1608C	#6-32 × ½" Cross-Recessed Pan-Head Cadmium Plated Machine Screw Quantity of two used to mount Regulator LM323
		8	75-016C	#6 Cadmium Plated Flat Washer Quantity of two used for mounting LM323
		9	75-056C	#6 Internal Tooth Steel Lock-Washer Quantity of two used for mounting Regulator LM323
		10	79-916C	#6-32 Hexagonal Cadmium Plated Machine Nut Quantity of two used for mounting Regulator LM323
		11	78-06001	Heatsink—Wakefield P.N. 690—Used for mounting Regulator LM323
		12	78-16005	Thermally Conductive Insulator for Size T0-3 Used for mounting Regulator LM323
J40		21	79-58065	15-Position Connector
		15	79-20230	Female Connector Terminal Contact Quantity of 15 used in Connector J40
J41		22	79-58092	6-Position Connector—Molex PN 03-09-1064
		14	79-20121	Male Connector Terminal Contact Quantity of 6 used in Connector J41
J44		21	79-58065	15-Position Connector
		14	79-20121	Male Connector Terminal Contact Quantity of 15 used in Connector J44
J45		20	79-58064	12-Position Connector
		14	79-20121	Male Connector Terminal Contact Quantity of 12 used in Connector J45
J46		18	79-58008	9-Position Connector
		15	79-20230	Female Connector Terminal Contact Quantity of 9 used in Connector J46
		6	43-9002	Relay—Potter & Brumfield P.N. R10E2X448VDC
		16	79-451001	Relay Socket
		17	79-452001	Relay Hold-Down Clip





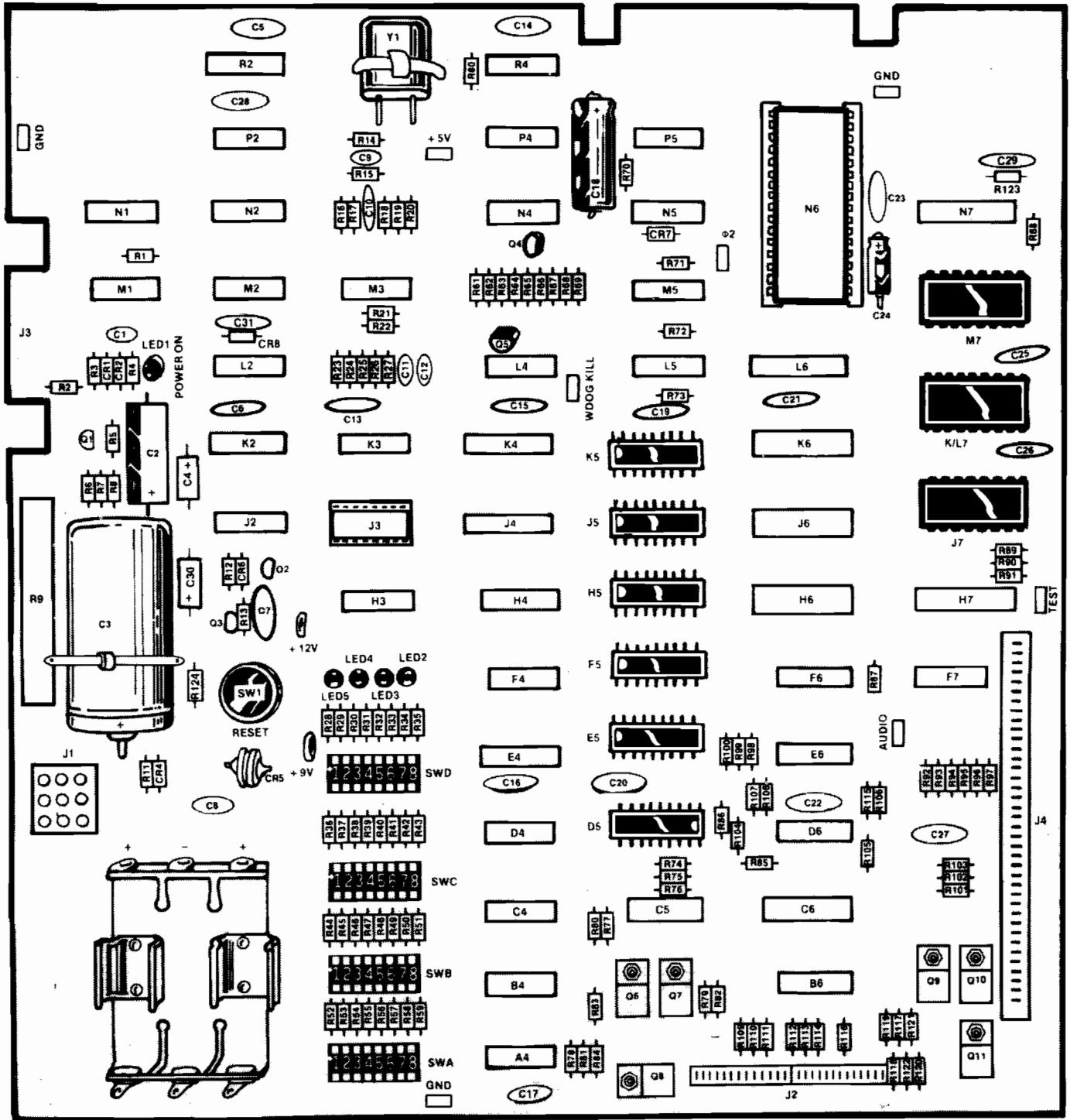


Figure 10
 Superman Processor PCB
 A020838-01 and -02 A

NOTICE TO ALL PERSONS RECEIVING THIS DRAWING
 CONFIDENTIAL. Reproduction forbidden without the
 specific written permission of Atari, Inc., Sunnyvale,
 California. This drawing is only conditionally issued, and
 neither receipt nor possession thereof confers or transfers
 any right in, or license to use, the subject matter of the
 drawing or any design or technical information shown
 thereon, nor any right to reproduce this drawing or any part
 thereof, except for manufacture by vendors of Atari, Inc.
 incorporated and for manufacture under the corporation's written
 license, no right to reproduce this drawing is granted
 or the subject matter thereof unless by written agreement
 with or written permission from the corporation.



**Figure 10 Superman Processor PCB
Parts List**

LOCATION	PART NUMBER	ITEM	DESCRIPTION	FOR MORE INFORMATION
	A020838-01	1	Universal Processor PCB	See Figure 11
	The following, PROM 1 thru PROM 6, are used on the -01 PCB Assy only			
D5	021010-01	2	Superman PROM 1	
E5	021011-01	3	Superman PROM 2	
F5	021012-01	4	Superman PROM 3	
H5	021013-01	5	Superman PROM 4	
J5	021014-01	6	Superman PROM 5	
K5	021015-01	7	Superman PROM 6	
	A020838-02	1	Universal Processor PCB	See Figure 11
	The following, ROM 0 thru ROM 2, are used on the -02 PCB Assy only			
J7	021018-01	4	Superman ROM 2	
K/L7	021017-01	3	Superman ROM 1	
M7	021016-01	2	Superman ROM 0	



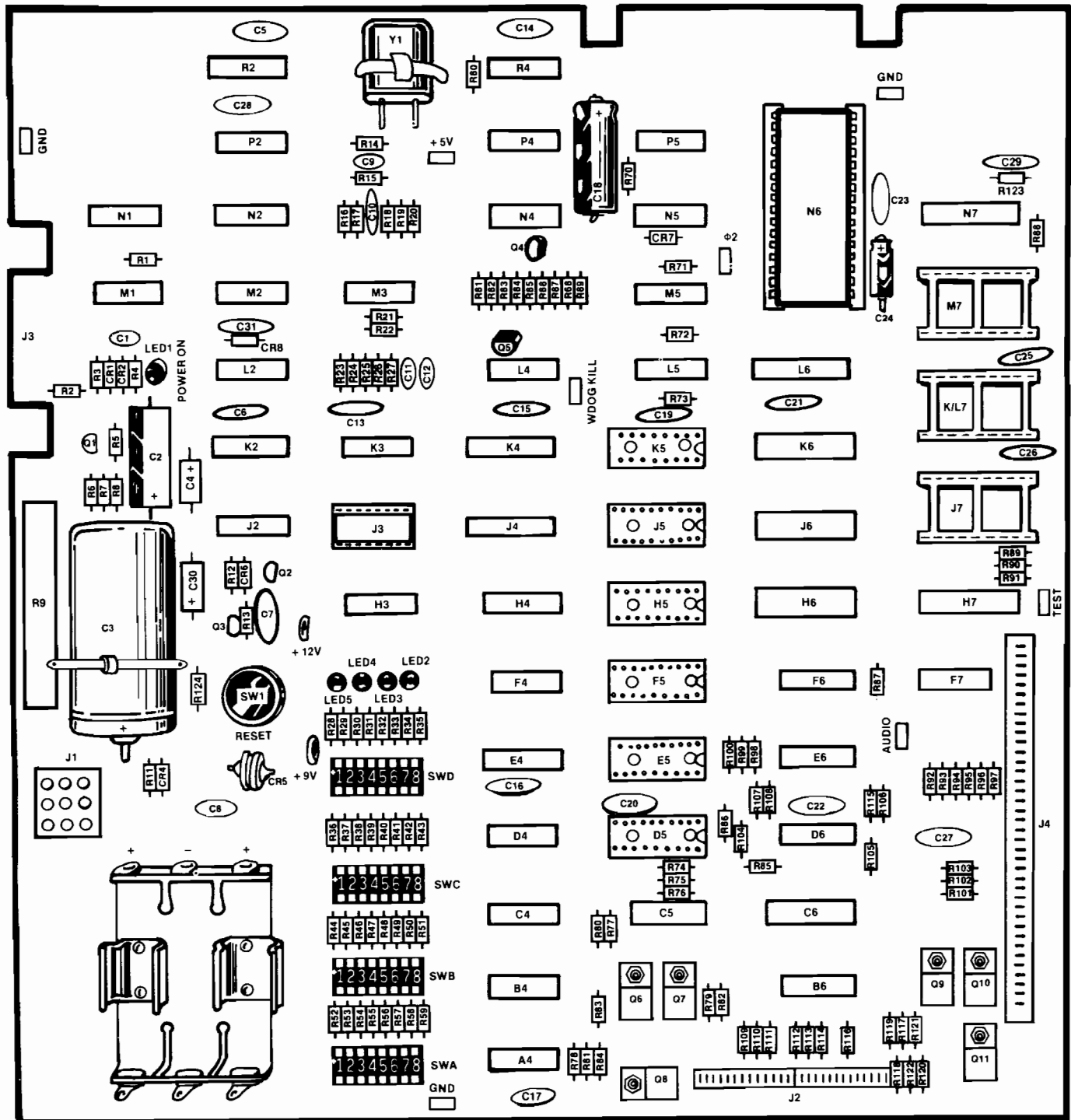


Figure 11
 Universal Processor PCB
 A020838-01 D

NOTICE TO ALL PERSONS RECEIVING THIS DRAWING
 CONFIDENTIAL. Reproduction forbidden without the
 specific written permission of Atari, Inc., Sunnyvale,
 California. This drawing is only conditionally issued, and
 neither receipt nor possession thereof confers or transfers
 any right in, or license to use, the subject matter of the
 drawing or any design or technical information shown
 thereon, nor any right to reproduce this drawing or any part
 thereof, except for manufacture by vendors of Atari, Inc.,
 incorporated and for manufacture under the corporation's writ-
 ten license. No right to reproduce this drawing is granted
 or the subject matter thereof unless by written agreement
 with or written permission from the corporation.



**Figure 11 Universal Processor PCB
Parts List**

DESIG-NATION	LOCATION	ITEM	PART NUMBER	DESCRIPTION
C1		28	27-250104	0.1uf, \pm 20%, Disc Ceramic Capacitor
C2		25	24-250227	220uf, + 50%, - 10%, 25V Axial Lead Electrolytic Capacitor
C3		26	24-160808	8000uf, + 50%, - 10%, 16V Axial Lead Electrolytic Capacitor
C4		24	24-250106	10uf, + 50%, - 10%, 25V Axial Lead Electrolytic Capacitor
C5-C6		28	27-250104	0.1uf, \pm 20%, Disc Ceramic Capacitor
C7		23	24-250226	22ufd, + 50%, - 10%, 25V Axial Lead Electrolytic Capacitor
C8-C10		28	27-250104	0.1uf, \pm 20%, Disc Ceramic Capacitor
C11		27	27-250103	0.01uf, \pm 20%, Disc Ceramic Capacitor
C12-C17		28	27-250104	0.1uf, \pm 20%, Disc Ceramic Capacitor
C18		25	24-250227	220uf, + 50%, - 10%, 25V Axial Lead Electrolytic Capacitor
C19-C23		28	27-250104	0.1uf, \pm 20%, Disc Ceramic Capacitor
C24		24	25-250106	10uf, + 50%, - 10%, 25V Axial Lead Electrolytic Capacitor
C25-C27		28	27-250104	0.1uf, \pm 20%, Disc Ceramic Capacitor
C28		29	28-101102	100pf, \pm 5%, 100V Radial Lead Dipped Mica Capacitor
C29		29	28-101102	100pfd, \pm 5% 100V Radial Lead Dipped Mica Capacitor
C30		24	24-250106	Cap, Electrolytic, 25V, 10uf
C31		28	27-250104	0.1ufd, \pm 20%, Disc Ceramic Capacitor
CR1, CR2, CR4		32	31-1N914	General Purpose Silicon Signal Diode— Type 1N914
CR5		33	31-MR750	High Current Silicon Rectifier—Type MR750
CR6		31	32-1N756	8.2V Zener Diode—Type 1N756
CR7		32	31-1N914	General Purpose Silicon Signal Diode—Type 1N914
CR8		30	32-1N751	5.1V Zener Diode—Type 1N751
J1		87	79-58008	Connector Receptical without ears or tabs— Molex PN 03-09-1093
J2		86	79-58158	9-Pin Header—Quantity of two used as J2
J4		86	79-58158	9-Pin Header—Quantity of 4 used as J4
LED1-LED5		64	38-MV5053	Light Emitting Diode—Type MV5053
Q1-Q3		37	34-MPSA06S	NPN Silicon Transistor
Q4		36	33-2N3644	PNP Silicon Transistor— Type 2N3644
Q5		37	34-MPSA06S	NPN Silicon Transistor
Q6-Q11		35	33-SJE783	Darlington PNP Silicon Power Transistor—Type 2N6041
R1		9	10-5102	1K ohm, \pm 5%, 1/4W Carbon Composition Resistor



**Figure 11 Universal Processor PCB
Parts List**

DESIG- NATION	LOCATION	ITEM	PART NUMBER	DESCRIPTION
R2		2	10-5100	10 ohm, \pm 5%, 1/4W Carbon Composition Resistor
R3,R4		4	10-5221	220 ohm, \pm 5%, 1/4W Carbon Composition Resistor
R5		22	10-5223	22K ohm, \pm 5%, 1/4W Carbon Composition Resistor
R6		9	10-5102	1K ohm, \pm 5%, 1/4W Carbon Composition Resistor
R7		12	10-5152	1.5K ohm, \pm 5%, 1/4W Carbon Composition Resistor
R8		19	10-5104	100K ohm, \pm 5%, 1/4W Carbon Composition Resistor
R9		21	17-5100	10 ohm, \pm 5%, 1/4W Carbon Composition Resistor
R10		19	10-5104	100K ohm, \pm 5%, 1/4W Carbon Composition Resistor
R11		9	10-5102	1K ohm, \pm 5%, 1/4W Carbon Composition Resistor
R12, R13		14	10-5103	10K ohm, \pm 5%, 1/4W Carbon Composition Resistor
R14, R15		9	10-5102	1K ohm, \pm 5%, 1/4W Carbon Composition Resistor
R16, R17		17	10-5473	47K ohm, \pm 5%, 1/4W Carbon Composition Resistor
R18		19	10-5104	100K ohm, \pm 5%, 1/4W Carbon Composition Resistor
R19		17	10-5473	47K ohm, \pm 5%, 1/4W Carbon Composition Resistor
R20		19	10-5104	100K ohm, \pm 5%, 1/4W Carbon Composition Resistor
R21, R22		17	10-5473	47K ohm, \pm 5%, 1/4W Carbon Composition Resistor
R23		13	10-5822	8.2K ohm, \pm 5%, 1/4W Carbon Composition Resistor
R24		15	10-5183	18K ohm, \pm 5%, 1/4W Carbon Composition Resistor
R25		16	10-5333	33K ohm, \pm 5%, 1/4W Carbon Composition Resistor
R26		18	10-5683	68K ohm, \pm 5%, 1/4W Carbon Composition Resistor
R27		13	10-5822	8.2K ohm, \pm 5%, 1/4W Carbon Composition Resistor
R28-R59		14	10-5103	10K ohm, \pm 5%, 1/4W Carbon Composition Resistor
R60, R61		9	10-5102	1K ohm, \pm 5%, 1/4W Carbon Composition Resistor



**Figure 11 Universal Processor PCB
Parts List**

DESIG-NATION	LOCATION	ITEM	PART NUMBER	DESCRIPTION
R62, R63		13	10-5822	8.2K ohm, \pm 5%, 1/4 W Carbon Composition Resistor
R64		9	10-5102	1K ohm, \pm 5%, 1/4 W Carbon Composition Resistor
R65		16	10-5333	33K ohm, \pm 5%, 1/4 W Carbon Composition Resistor
R66		18	10-5683	68K ohm, \pm 5%, 1/4 W Carbon Composition Resistor
R67		15	10-5183	18K ohm, \pm 5%, 1/4 W Carbon Composition Resistor
R68		13	10-5822	8.2K ohm, \pm 5%, 1/4 W Carbon Composition Resistor
R69		15	10-5183	18K ohm, \pm 5%, 1/4 W Carbon Composition Resistor
R70-R72		4	10-5221	220 ohm, \pm 5%, 1/4 W Carbon Composition Resistor
R73		9	10-5102	1K ohm, \pm 5%, 1/4 W Carbon Composition Resistor
R74-R77		7	10-5681	680 ohm, \pm 5%, 1/4 W Carbon Composition Resistor
R78, R79		9	10-5102	1K ohm, \pm 5%, 1/4 W Carbon Composition Resistor
R80		7	10-5681	680 ohm, \pm 5%, 1/4 W Carbon Composition Resistor
R81, R82		9	10-5102	1K ohm, \pm 5%, 1/4 W Carbon Composition Resistor
R83		7	10-5681	680 ohm, \pm 5%, 1/4 W Carbon Composition Resistor
R84-R87		9	10-5102	1K ohm, \pm 5%, 1/4 W Carbon Composition Resistor
R88-R90		3	10-5101	100 ohm, \pm 5%, 1/4 W Carbon Composition Resistor
R91-R122		9	10-5102	1K ohm, \pm 5%, 1/4 W Carbon Composition Resistor
R123		17	10-5473	47K ohm, \pm 5%, 1/4 W Carbon Composition Resistor
R124		5	10-5271	270 ohm, \pm 5%, 1/4 W Carbon Composition Resistor
		68	62-001	Normally Open S.P.S.T. Pushbutton Switch—Wild Rover Corp. PN TC-1/C
Y1		91	90-108	4.00 MHz Crystal
SW1	A3	69	66-118PIT	8 Position Dual-Inline-Package Switch—Switch Labeled SWA
	A4	57	37-74LS253	Dual 4-Line to 1-Line Data Selector/Multiplexer—Type 74LS253



Figure 11 Universal Processor PCB
Parts List

DESIG-NATION	LOCATION	ITEM	PART NUMBER	DESCRIPTION
	B3	69	66-118PIT	8-Position Dual-Inline-Package Switch— Switch Labeled SWB
	B4	57	37-74LS253	Dual 4-Line to 1-Line Data Selector/Multiplexer —Type 74LS253
	B6	49	37-74LS42	1-of-10 BCD-to-Decimal Decoder—Type 74LS42
	C/D3	69	66-118PIT	8-Position Dual-Inline-Package Switch— Switch Labeled SWC
	C4	57	37-74LS253	Dual 4-Line to 1-Line Data Selector/Multiplexer —Type 74LS253
	C5	52	37-74LS145	1-of-10 Decoder/Driver—Type 74LS145
	C6	58	37-74LS273	Octal D-Type Flip-Flop With Clear— Type 74LS273
	D4	57	37-74LS253	Dual 4-Line to 1-Line Data Selector/Multiplexer —Type 74LS253
	D6	43	37-7407	Hex Buffer/Driver—Type 7407
	E3	69	66-118PIT	8-Position Dual-Inline-Package Switch— Switch Labeled SWD
	E4	49	37-74LS42	1-of-10 BCD-to-Decimal Decoder—Type 74LS42
	E6	43	37-7407	Hex Buffer/Driver—Type 7407
	F4	48	37-74LS32	Quad 2-Input OR Gate—Type 74LS32
	F6	42	37-74LS04	Hex Inverter—Type 74LS04
	F7	43	37-7407	Hex Buffer/Driver—Type 7407
	H3	44	37-7408	Quad 2-Input AND Gate—Type 7408
	H4	49	37-74LS42	1-of-10 BCD-to-Decimal Decoder Type 74LS42
	H6	96	90-7030	RAM, Type 5101L-3
	H7	56	37-74LS244	Octal Buffer and Line Driver with Tri-State Outputs—Type 74LS244
	J2	59	37-74LS393	Dual 4-Bit Binary Counter— Type 74LS393
	J3	98	020967-01	ROM, Audio
	J4	58	37-74LS273	Octal D-Type Flip-Flop with Clear— Type 74LS273
	J6	97	90-7031	RAM, Type 2101A-4
	J7	83	79-42C24	24-Pin Medium Insertion Socket—For ROM J7
	K2	57	37-74LS253	Dual 4-Line to 1-Line Data Selector/Multiplexer —Type 74LS253
	K3	54	37-74LS161	Synchronous 4-Bit Counter—Type 74LS161
	K4	58	37-74LS273	Octal D-Type Flip-Flop with Clear— Type 74LS273
	K6	97	90-7031	RAM, Page 0—Type 2101A-4
	K/L7	83	79-42C24	24-Pin Medium Insertion Socket—For ROM K/L7
	L2	59	37-74LS393	Dual 4-Bit Binary Counter— Type 74LS393
	L4	60	37-4066B	Quad Analog Gate—Type 4066B
	L5	45	37-74LS08	Quad 2-Input AND Gate—Type 74LS08



**Figure 11 Universal Processor PCB
Parts List**

DESIG - NATION	LOCATION	ITEM	PART NUMBER	DESCRIPTION
	L6	56	37-74LS244	Octal Buffer and Line Driver with Tri-State Output—Type 74LS244
	M1	50	37-74LS74	Dual D-Type Positive Edge-Triggered Flip-Flop—Type 74LS74
	M2	59	37-74LS393	Dual 4-Bit Binary Counter—Type 74LS393
	M3	60	37-4066B	Quad Analog Gate—Type 4066B
	M5	47	37-7428	Quad 2-Input NOR Buffer—Type 7428
	M7	83	79-42C24	24-Pin Medium Insertion Socket—For ROM M7
	N2	50	37-74LS74	Dual D-Type Positive Edge-Triggered Flip-Flop—Type 74LS74
	N4	55	37-74LS164	8-Bit Parallel-Out Serial-In Shift Register—Type 74LS163
	N5	46	37-74LS14	Hex Schmitt Trigger—Type 74LS14
	N6	95	90-6001	Microprocessor—Motorola Semiconductor PN MC6800L
	N6	80	79-42C40	40-Pin Medium Insertion Socket For Microprocessor N6
	N7	56	37-74LS244	Octal Buffer and Line Driver with Tri-State Output—Type 74LS244
	P2	42	37-74LS04	Hex Inverter—Type 74LS04
	P4	55	37-74LS164	8-Bit Parallel-Out Serial-In Shift Register—Type 74LS164
	P5	41	37-74LS00	Quad 2-Input NAND Gate—Type 74LS00
	R2	53	37-74LS160	Synchronous 4-Bit Decade Counter with Direct Clear—Type 74LS160
	R4	51	37-74LS86	Quad 2-Input Exclusive-OR Gate—Type 74LS86
		77	79-3107	Battery Holder—Keystone PN 147
		73	72-1604C	#6-32x1/4" Phillips Pan-Head Cadmium Plated Machine Screw—Quantity of 4 used to mount Battery Holder
		74	75-016C	#6 Cadmium Plated Flat Washer—Quantity of 4 used to mount Battery Holder
		75	75-056C	#6 Internal Tooth Cadmium Plated Lock Washer—Quantity of 4 used to mount Battery Holder
		76	79-916C	#6-32 Hexagonal Cadmium Plated Nut—Quantity of 4 used to mount Battery Holder



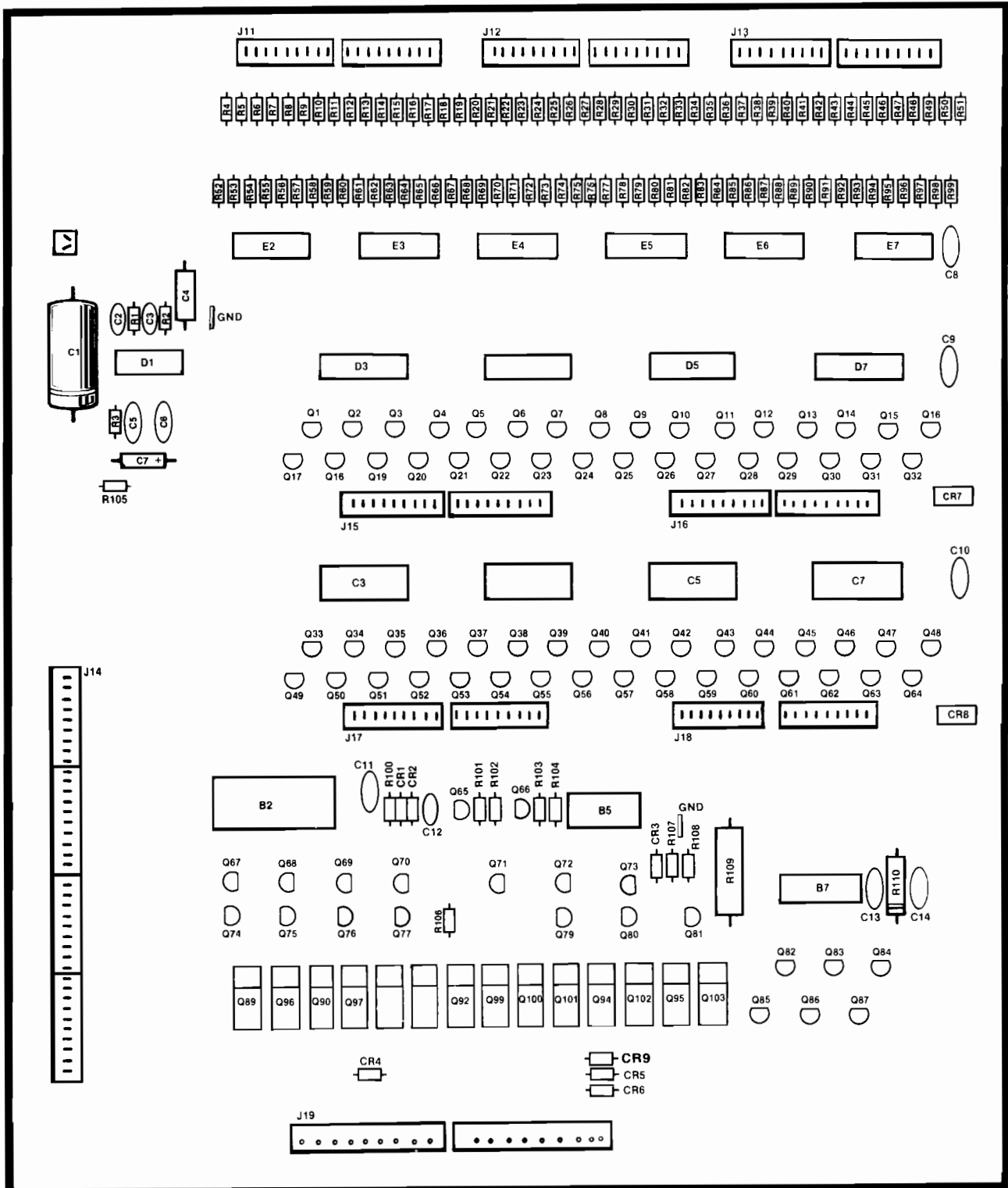


Figure 12
I/O PCB
A020836-01 C

NOTICE TO ALL PERSONS RECEIVING THIS DRAWING
CONFIDENTIAL. Reproduction forbidden without the
specific written permission of Atari, Inc. Sunnyvale,
California. This drawing is only conditionally issued, and
neither receipt nor possession thereof confers or transfers
any right in or license to use, the subject matter of the
drawing or any design or technical information shown
thereon, nor any right to reproduce this drawing or any part
thereof, except for manufacture by vendors of Atari, Incor-
porated and for manufacture under the corporation's writ-
ten license, no right to reproduce this drawing is granted
or the subject matter thereof unless by written agreement
with or written permission from the corporation.



Figure 12 I/O PCB
Parts List

DESIG-NATION	LOCATION	ITEM	PART NUMBER	DESCRIPTION
C1		17	24-250477	470uf, plus 50/minus 10%, 25V Axial Lead Electrolytic Capacitor
C2		19	27-250224	0.22uf, \pm 20%, 25V Disc Ceramic Capacitor
C3		18	27-250102	0.001uf, \pm 20%, 25V Disc Ceramic Capacitor
C4		15	24-250475	4.7uf, plus 75/minus 10%, 25V Axial Lead Electrolytic Capacitor
C5		21	27-250104	0.1uf, plus 75/minus 10%, 100V Axial Lead Electrolytic Capacitor
C6		20	27-250103	0.01uf, plus 75/minus 10%, 25V Axial Lead Electrolytic Capacitor
C7		16	24-250106	10uf, \pm 20%, 25V Disc Ceramic Capacitor
C8-C11		21	27-250104	0.1uf, \pm 20%, 25V Disc Ceramic Capacitor
C12		18	27-250102	0.001uf, \pm 20%, 25V Disc Ceramic Capacitor
C13		21	27-250104	0.1uf, \pm 20%, 25V Disc Ceramic Capacitor
C14		22	27-101104	0.1uf, \pm 20%, 100V Disc Ceramic Capacitor
CR1-CR3		28	31-1N914	General Purpose Silicon Signal Diode—Type 1N914
CR4-CR6		29	31-1N4001	Silicon Rectifier Diode—Type 1N4001
CR7,8		27	31-MR750	High Current Silicon Rectifier—Type MR750
CR9		29	31-1N4001	Silicon Rectifier Diode—Type 1N4001
J10		49	79-58202	2-Pin Header
J11-J18		50	79-58158	9-Pin Header
J19		51	79-58252	10-Pin Header
J19		52	79-58228	7-Pin Header
J19		53	79-58255	2-Pin Header
		57	79-0B04	Tab, Male Disconnect
LED1, LED2		38	38-MV5053	Light Emitting Diode—Type MV5053
Q1-Q77, Q79-Q87		26	34-MPSA06	NPN Silicon Transistor Type MPS-A06
Q89-Q92, Q94-Q103		25	33-SJE783	Darlington PNP Silicon Power Transistor—Type 2N6041
		59	81-4302	Nylon Snap-In Fastener
R1		9	10-5223	22K ohm, \pm 5%, 1/4W Carbon Composition Resistor
R2		8	10-5123	12K ohm, \pm 5%, 1/4W Carbon Composition Resistor
R3		2	10-52P2	2.2 ohm, \pm 5%, 1/4W Carbon Composition Resistor
R4-R51		4	10-5471	470 ohm, \pm 5%, 1/4W Carbon Composition Resistor
R52-R99		10	10-5104	100K ohm, \pm 5%, 1/4W Carbon Composition Resistor



**Figure 12 I/O PCB
Parts List**

DESIG-NATION	LOCATION	ITEM	PART NUMBER	DESCRIPTION
R100		7	10-5103	10K ohm, \pm 5%, 1/4W Carbon Composition Resistor
R101-R103		5	10-5102	1K ohm, \pm 5%, 1/4W Carbon Composition Resistor
R104		10	10-5104	100K ohm, \pm 5%, 1/4W Carbon Composition Resistor
R105,R106		3	10-5221	220 ohm, \pm 5%, 1/4W Carbon Composition Resistor
R107		6	10-5682	6.8K ohm, \pm 5%, 1/4W Carbon Composition Resistor
R108		5	10-5102	1K ohm, \pm 5%, 1/4W Carbon Composition Resistor
R109		11	19-858WOP1	0.1 ohm, \pm 20%, 5W Wire-Wound Resistor
R110		12	12-5472	4.7K ohm, \pm 5%, 1/4W Carbon Composition Resistor
	A6/7	34	37-CD4099B	8-Bit Addressable Latch—Type CD4099B
	B2	33	37-MC14514B	4-Bit Latch/4-to-16 Line Decoder—Type MC14514B
	B4/5	31	37-MC14013B	Dual D Flip-Flop—Type MC14013B
	C2/3, C4, C5/6, C6/7, D2/3, D4, D5/6, D6/7, E2-E7 F1	34 32 30	37-CD4099B 37-MC14512B 37-LM380	8-Bit Addressable Latch—Type CD4099B 8-Channel Data Selector—Type MC14512B 2 1/2W Audio Amplifier—Type LM380



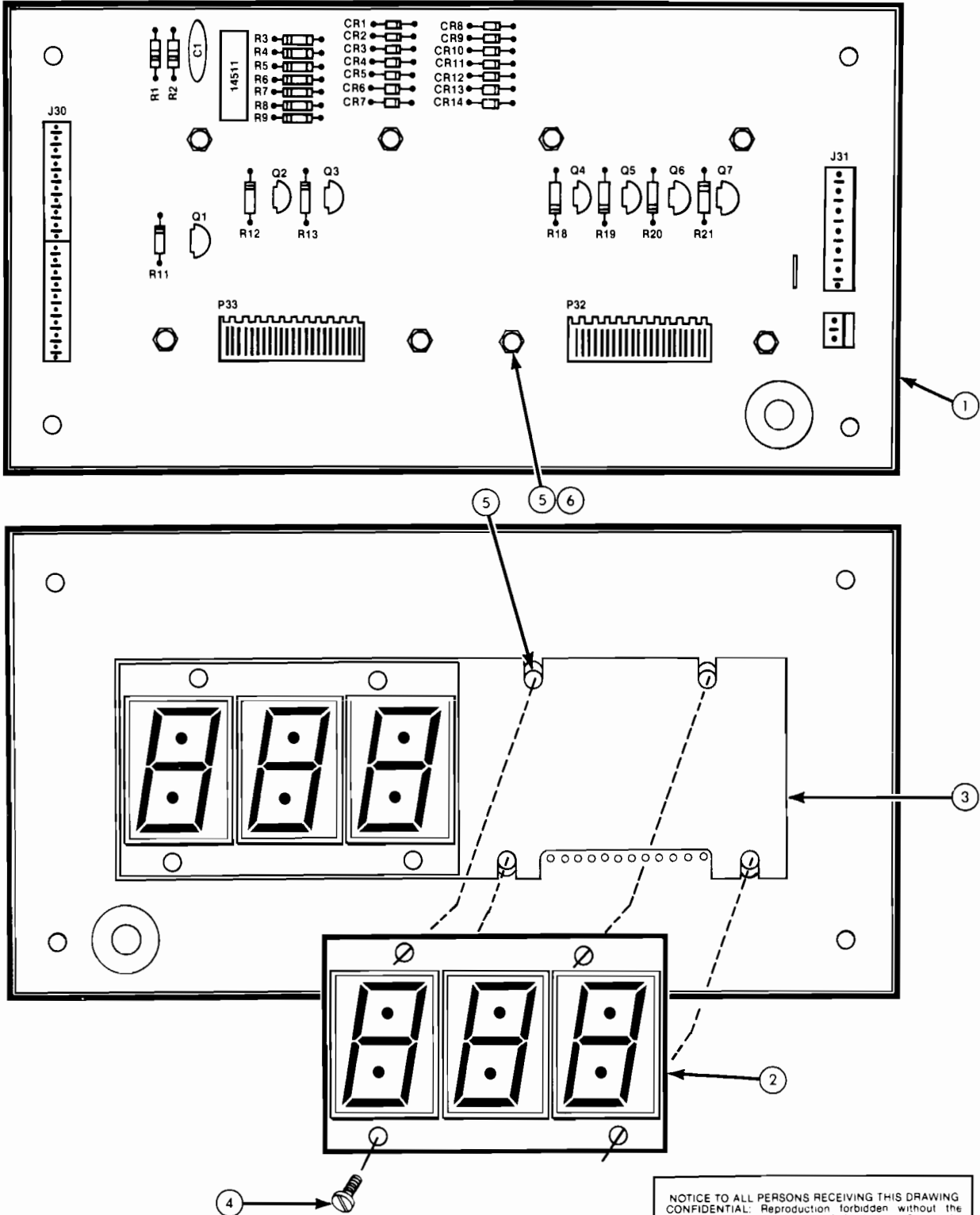


Figure 13
Display and Driver
PCB Assy
A021266-01 B

NOTICE TO ALL PERSONS RECEIVING THIS DRAWING
 CONFIDENTIAL: Reproduction forbidden without the
 specific written permission of Atari, Inc., Sunnyvale,
 California. This drawing is only conditionally issued, and
 neither receipt nor possession thereof confers or transfers
 any right in, or license to use, the subject matter of the
 drawing or any design or technical information shown
 thereon, nor any right to reproduce this drawing or any part
 thereof, except for manufacture by vendors of Atari. Incorporated and for manufacture under the corporation's written
 license, no right to reproduce this drawing is granted
 or the subject matter thereof unless by written agreement
 with or written permission from the corporation.



**Figure 13 LED Display Driver PCB Assy
Parts List**

DESIG - NATION	LOCATION	ITEM	PART NUMBER	DESCRIPTION
		1	A020853-01	LED Display Driver PCB Assy— Consists of items listed after item 7, Score Display Overlay
		2	38-03130935	3-Digit 7-Segment Diode Display Array— LITRONIX #DL-3130-935—Quantity of two used for each display
		3	021106-01	PCB Insulator
		4	72-1408S	#4-40 1/2" Slotted Pan-Head Steel Machine Screw— Quantity of eight used
		5	75-07015	Black Fibre Special Washer—SMITH #2162— Quantity of sixteen used
		6	75-914S	#4-40 Standard Pattern Hexagon Steel Machine Nut— Quantity of eight used
		7	021270-01	Score Display Overlay
LED Display Driver PCB Assy, A020853-01 Rv. A, consists of the following:				
C1		7	27-250104	0.1uf, ± 20%, Ceramic Disc Capacitor
CR1-CR14		10	31-1N914	Silicon Signal Diode—Type 1N914
J30		24	79-59158	9-Pin Header—Quantity of 2 used
J31		22	79-58228	7-Pin Header
P32		23	79-58253	12-Pin Bottom Entry Connector
P33		23	79-58253	12-Pin Bottom Entry Connector
Q1-Q7, R1-R9		14	33-MPSA06S	NPN Silicon Transistor
		3	10-5152	1.5K ohm, ± 5%, 1/4W Carbon Composition Resistor
R11-R13, R18-R21		2	10-56P8	6.8 ohm, ± 5%, 1/4W Carbon Composition Resistor
		18	37-MC14511B	BCD-to-7 Segment Latch/Decoder/Driver— Type MC14511B
J31		21	79-58255	2-Pin Header



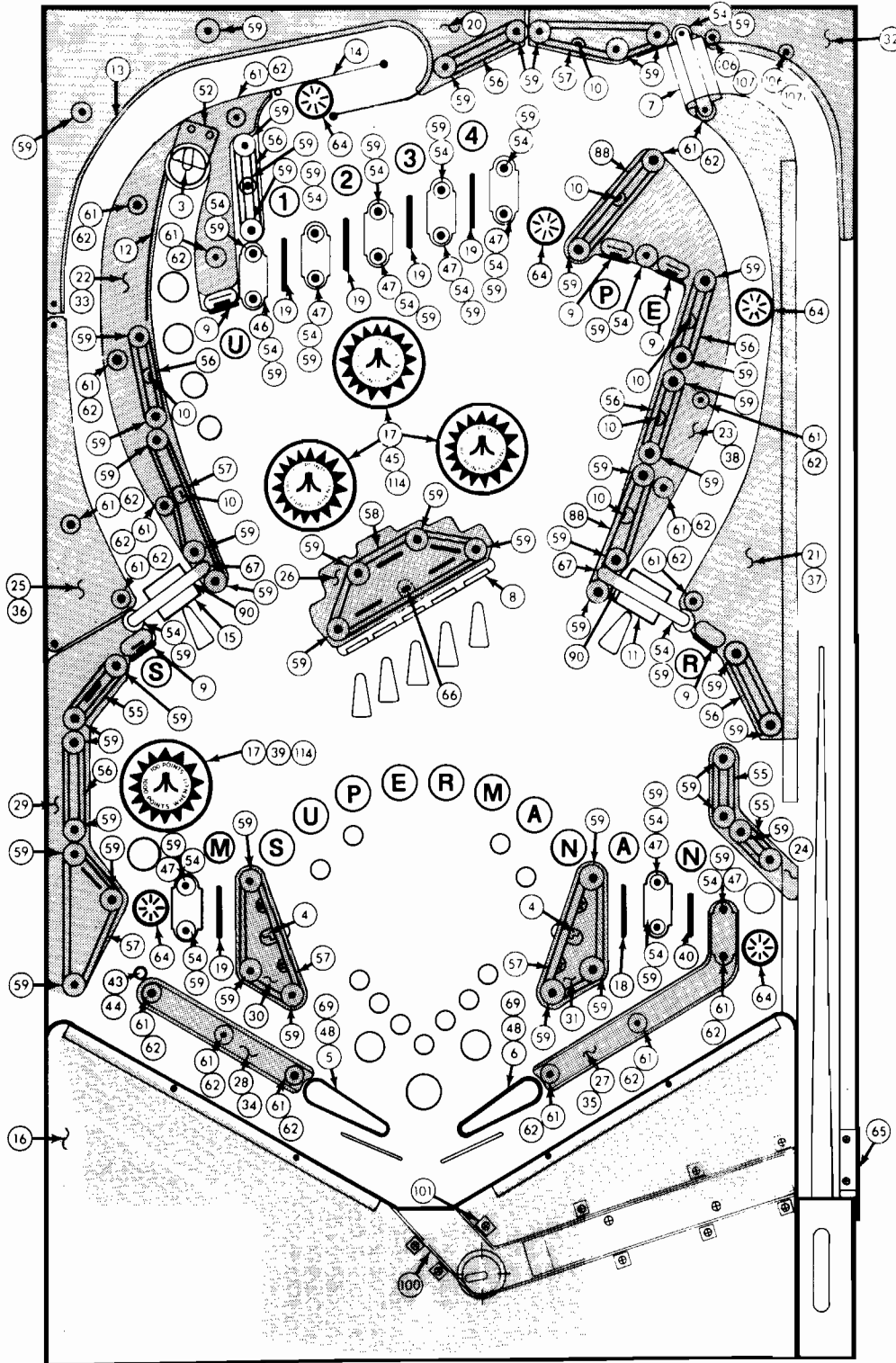
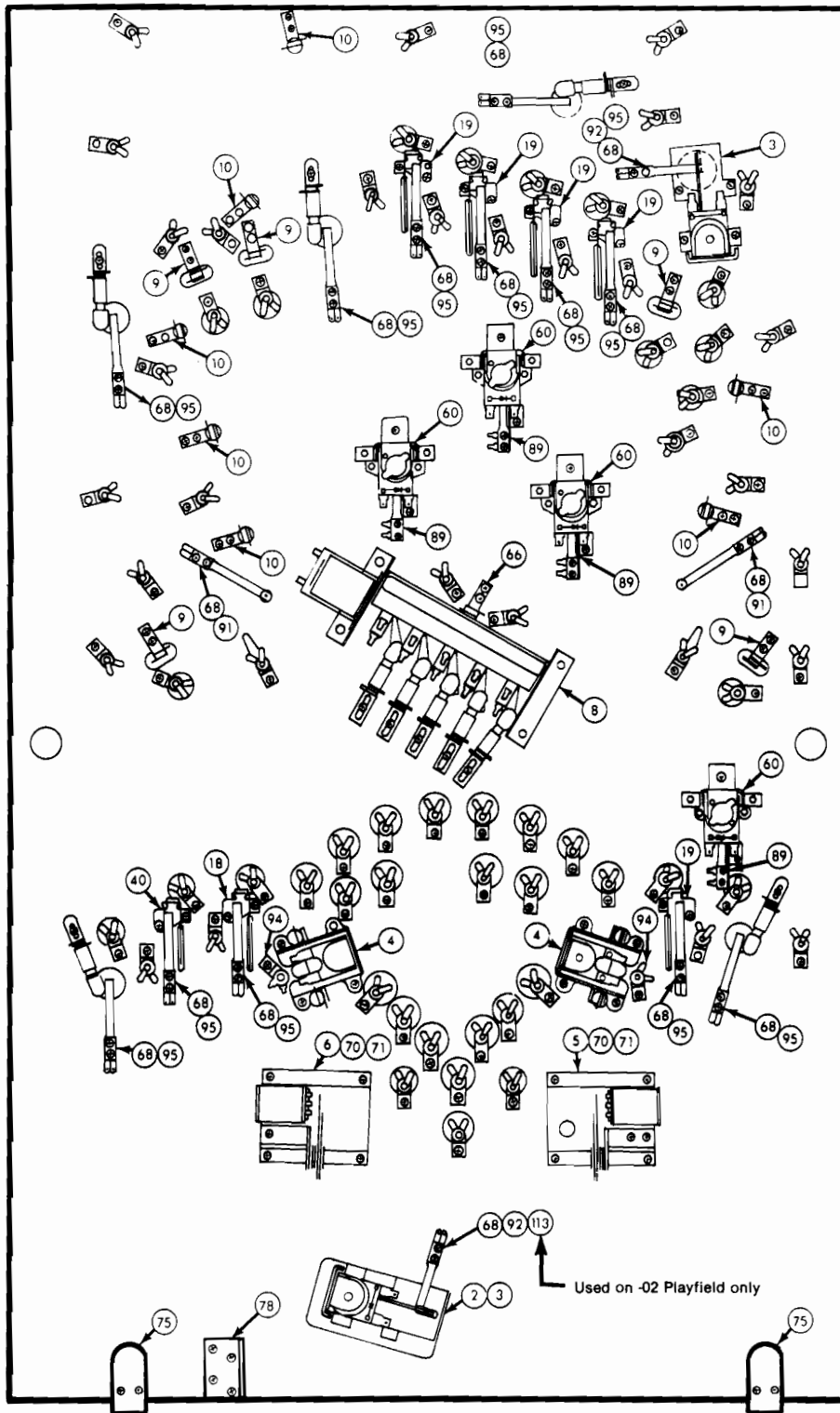


Figure 14
 Superman Playfield Assy
 A021019-01 and -02 D

NOTICE TO ALL PERSONS RECEIVING THIS DRAWING
 CONFIDENTIAL: Reproduction forbidden without the
 specific written permission of Atari, Inc., Sunnyvale,
 California. This drawing is only conditionally issued, and
 neither receipt nor possession thereof confers or transfers
 any right in, or license to use, the subject matter of the
 drawing or any design or technical information shown
 thereon, nor any right to reproduce this drawing or any part
 thereof, except for manufacture by vendors of Atari, Inc.,
 incorporated and for manufacture under the corporation's writ-
 ten license, no right to reproduce this drawing is granted
 or the subject matter thereof unless by written agreement
 with or written permission from the corporation.





NOTICE TO ALL PERSONS RECEIVING THIS DRAWING
 CONFIDENTIAL. Reproduction forbidden without the
 specific written permission of Atari, Inc., Sunnyvale,
 California. This drawing is only conditionally issued, and
 neither receipt nor possession thereof confers or transfers
 any right in, or license to use, the subject matter of the
 drawing or any design or technical information shown
 thereon, nor any right to reproduce this drawing or any part
 thereof, except for manufacture by vendors of Atari, Inc.,
 incorporated and for manufacture under the corporation's writ-
 ten license, no right to reproduce this drawing is granted
 or the subject matter thereof unless by written agreement
 with or written permission from the corporation.

Figure 14
 Superman Playfield Assy
 A021019-01 and -02 D



**Figure 14 Superman Playfield Assy
Parts List**

ITEM	PART NUMBER	QTY	DESCRIPTION	FOR MORE INFORMATION
2	A020996-02	1	Ball Ejector Assy—Used on -01 Playfield only	See Figure 15
3	A020996-03	1	Ball Ejector Assy—Used on -01 Playfield only	See Figure 15
3	A020996-03	2	Ball Ejector Assy—Used on -02 Playfield only	See Figure 15
4	A020525-01	2	Slingshot Assy	See Figure 16
5	A020968-01	1	Left Single Flipper Assy	See Figure 17
6	A020968-02	1	Right Single Flipper Assy	See Figure 17
7	A020314-01	1	One Way Ball Gate Assy	See Figure 18
8	A020275-02	1	5-Bank Drop Target	See Figure 19
9	A020982-09	5	Standup Target Switch Assy	See Figure 20
10	A021000-01	7	Standup Switch Assy	
11	021128-02	1	Spinning Target	See Figure 21
12	A020667-01	1	Upper-Left Ball Guide Assy	
13	A020702-C1	1	Left-Corner Ball Guide Assy	
14	020673-01	1	Upper-Left Ball Guide	
15	021128-01	1	Spinning Target	See Figure 21
16	021136-01	1	Lower Arch	
17	A020115-01	4	Thumper Bumper Assy	See Figure 22
18	A020975-01	1	Lane Rollover Actuator Assy	See Figure 23
19	A020975-02	5	Lane Rollover Actuator Assy	See Figure 24
20	020656-01	1	Upper-Left Arch Butyrate	
21	020656-02	1	Ball Gate Butyrate	
22	020656-03	1	Left Hole Kicker Butyrate	
23	020656-04	1	Right Spinning Target Butyrate	
24	020656-05	1	Lower-Right Butyrate	
25	020656-06	1	Middle-Left Rail Butyrate	
26	020656-07	1	Drop Target Butyrate	
27	020656-08	1	Right Flipper Butyrate	
28	020656-09	1	Left Flipper Butyrate	
29	020656-10	1	Lower-Left Rail Butyrate	
30	020656-11	1	Left Slingshot Butyrate	
31	020656-12	1	Right Slingshot Butyrate	
32	020656-13	1	Upper-Right Arch Butyrate	
33	020657-01	1	Hole Kicker Ball Guide Butyrate	
34	020657-02	1	Lower-Left Ball Guide Butyrate	
35	020657-03	1	Lower-Right Ball Guide Butyrate	
36	020657-04	1	Left Spinning Target Ball Guide Butyrate	
37	020657-05	1	Right Rail Ball Guide Butyrate	
38	020657-06	1	Right Spinning Target Ball Guide Butyrate	
39	020997-22	1	Thumper Bumper Cap	
40	A021251-01	1	One-Way Lane Rollover Actuator Assy	
43	020636-01	1	Mini Post	
44	99-080005	1	27/64" Dia. Rubber Bumper — Wico #03-0643	
45	020997-12	3	Thumper Bumper Cap	
46	004986-09	1	One-Sided Ball Guide	



**Figure 14 Superman Playfield Assy
Parts List**

ITEM	PART NUMBER	QTY	DESCRIPTION	FOR MORE INFORMATION
47	004987-09	7	Two-Sided Ball Guide	
48	006040-09	2	Flipper Rubber Ring	
52	020672-01	1	Hole Kicker Deflector Bracket	
54	006127-01	19	5/16" Dia. Rubber Ring	
55	006127-05	3	1" Dia. Rubber Ring	
56	006127-07	7	1½" Dia. Rubber Ring	
57	006127-09	5	2½" Dia. Rubber Ring	
58	006127-10	1	3" Dia. Rubber Ring	
59	020185-02	65	Red Long Post	
60	A007033-01	4	Thumper Bumper Coil and Bracket Assy	See Figure 22
61	020358-02	18	Red Base Ball Riding Butyrate Post	
62	020359-02	18	Red Top Ball Riding Butyrate Post	
64	99-080016	5	Star Rollover Actuator	
65	007812-01	1	Ball Return Shield	
66	A021460-01	1	Bank Switch Assy	
67	020988-01	2	Plastic Spinning Target Actuator	See Figure 21
68	021105-01	16	Header Plate	
69	A021263-01	2	Flipper Assy	See Figure 17
70	A021264-01	2	Single Flipper Cam and Plunger Assy	See Figure 17
71	006059-01	2	Return Spring	See Figure 17
75	005952-01	2	Playfield Index Plate	
78	021359-01	1	Playfield Latch Bracket	
80	70-11-47	85	Miniature Lamp—General Electric #47	
88	006127-08	2	2" Dia. Rubber Ring	
89	A020970-01	4	Thumper Bumper Switch Assy	See Figure 22
90	020989-01	2	Plastic Spinning Target Bracket	See Figure 21
91	020969-01	2	Spinning Target Switch	See Figure 21
92	020999-01	2	Outhole Kicker Switch	See Figure 15
93	021081-01	1	Molded Ball Ramp—Used on -01 Playfield only	
93	A007833-01	1	Ball Return Ramp Assy—Used on -02 Playfield only	See Figure 24
94	020579-01	2	Vertical-Mounting Lamp Socket	
95	020953-01	12	Rollover Switch	
106	020236-01	2	Rail Clamp Base	
107	020237-01	2	Rail Clamp Cap	
113	021093-01	1	Spacer—Used on -01 Playfield only	
113	021093-01	2	Spacer—Used on -02 Playfield only	
114	99-080017	4	Thumper Bumper Trim Platter	



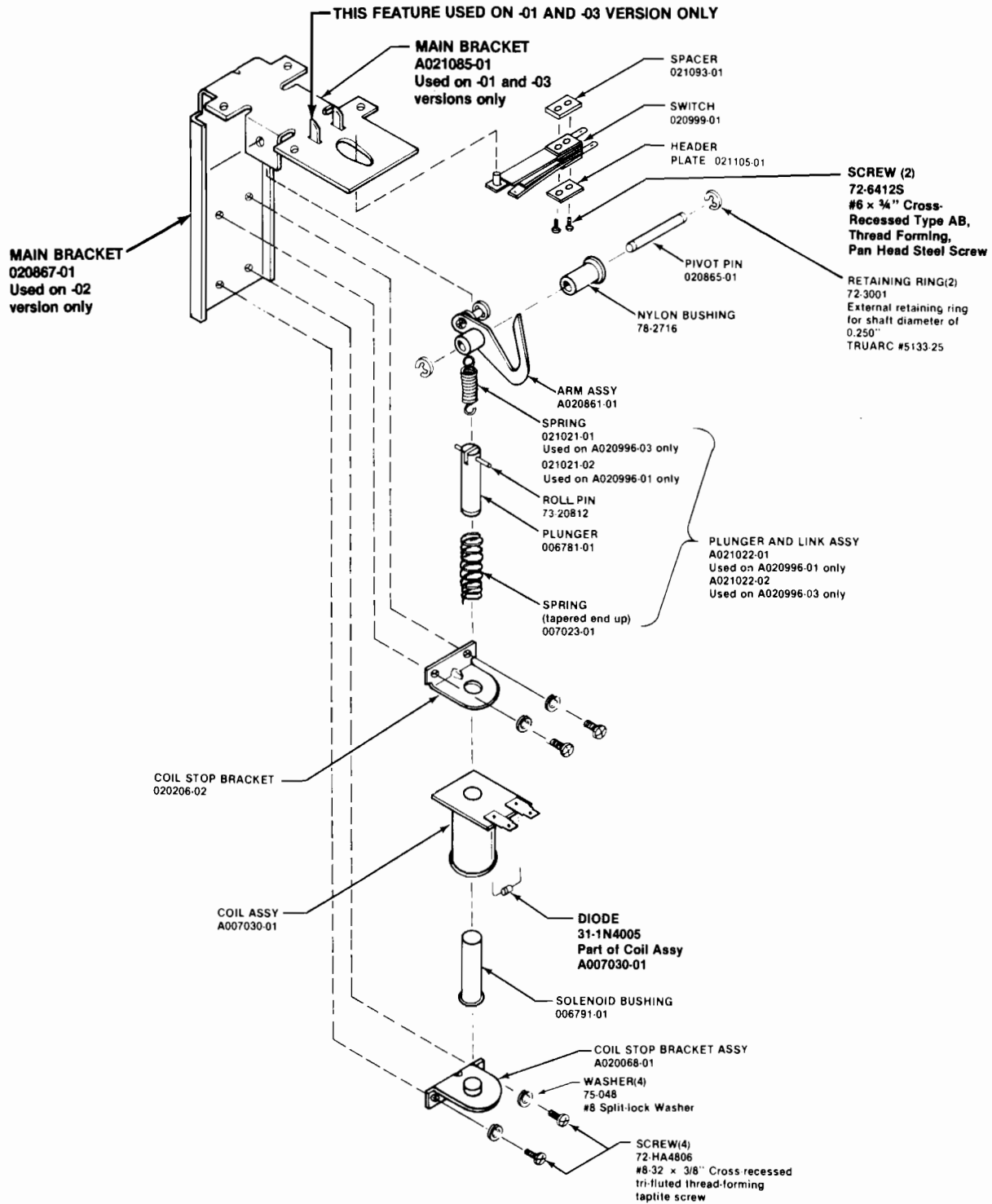
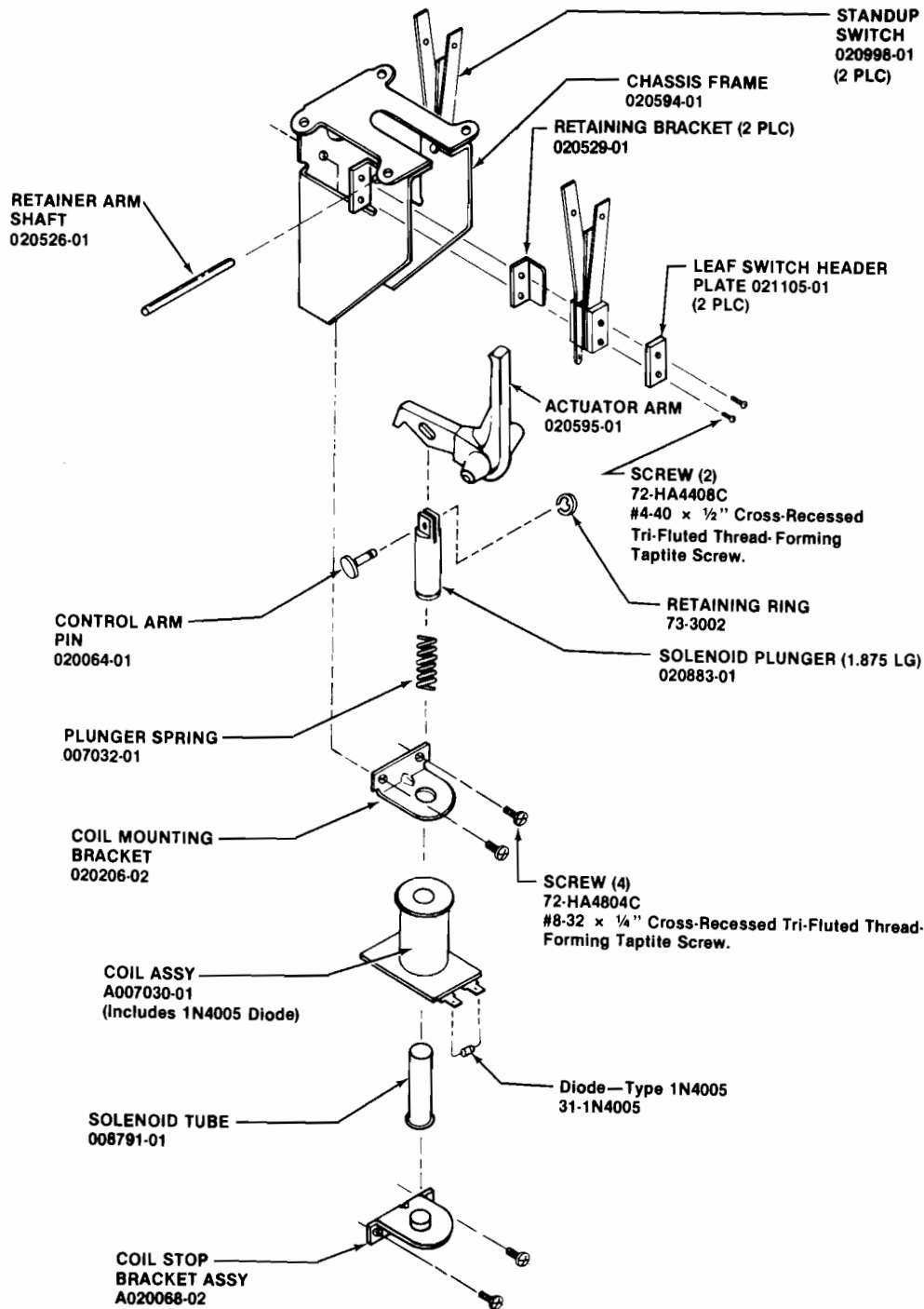


Figure 15
Ball Ejector Assy
A020996 01,-02 and -03 B

NOTICE TO ALL PERSONS RECEIVING THIS DRAWING
 CONFIDENTIAL. Reproduction forbidden without the
 specific written permission of Atari, Inc., Sunnyvale,
 California. This drawing is only conditionally issued,
 and neither receipt nor possession thereof confers or transfers
 any right in, or license to use, the subject matter of the
 drawing or any design or technical information shown
 thereon, nor any right to reproduce this drawing or any part
 thereof, except for manufacture by vendors of Atari, Inc.
 incorporated and for manufacture under the corporation's writ-
 ten license, no right to reproduce this drawing is granted
 or the subject matter thereof unless by written agreement
 with or written permission from the corporation.

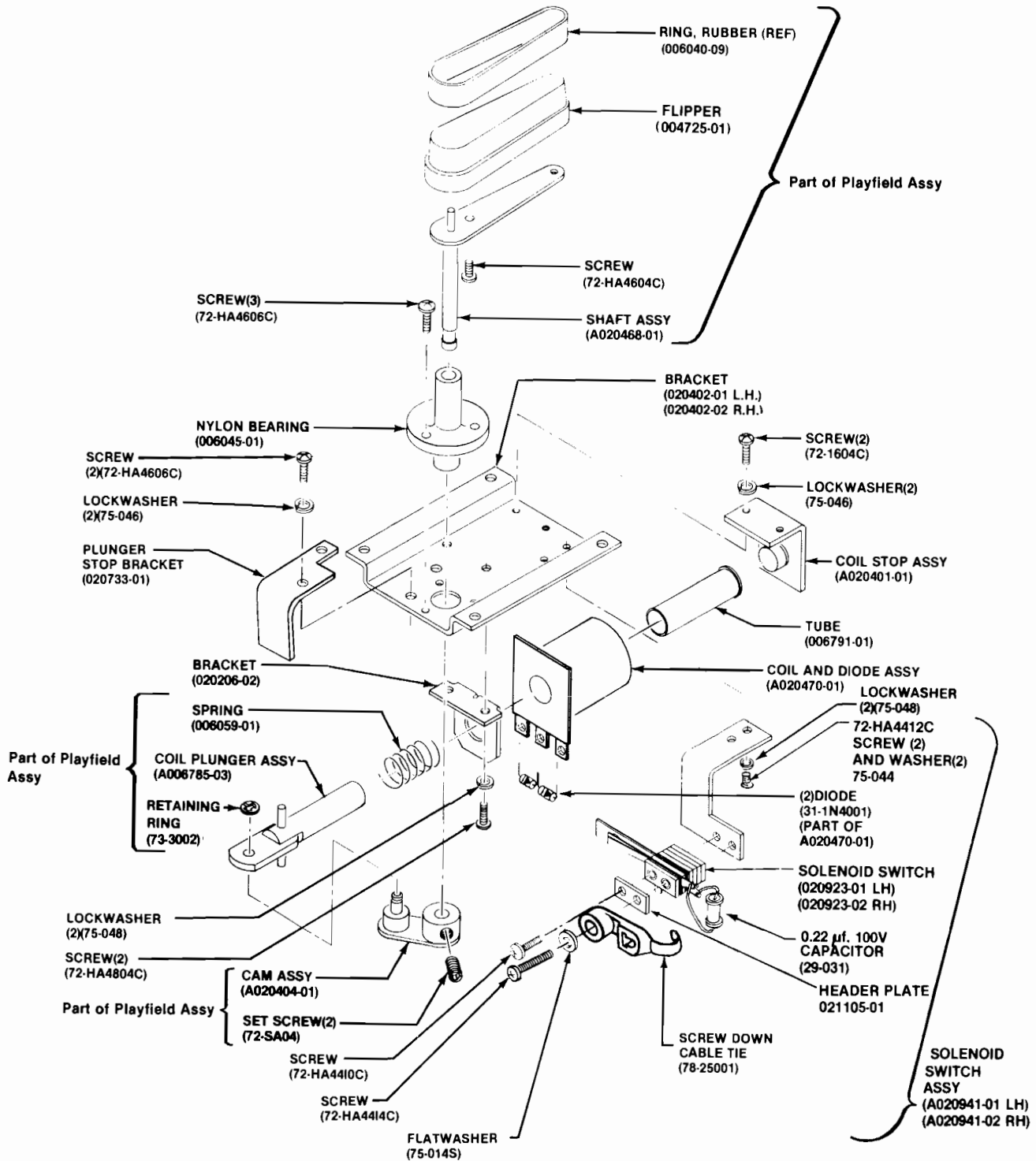




NOTICE TO ALL PERSONS RECEIVING THIS DRAWING
CONFIDENTIAL. Reproduction forbidden without the
specific written permission of Atari, Inc., Sunnyvale,
California. This drawing is only conditionally issued, and
neither receipt nor possession thereof conveys or transfers
any right in, or license to use, the subject matter of the
drawing or any design or technical information shown
thereon, nor any right to reproduce this drawing or any part
thereof, except for manufacture by vendors of Atari, Incorporated and for manufacture under the corporation's written
license. No right to reproduce this drawing is granted
or the subject matter thereof unless by written agreement
with or written permission from the corporation.

Figure 16
Slingshot Assy
A020525-01 B

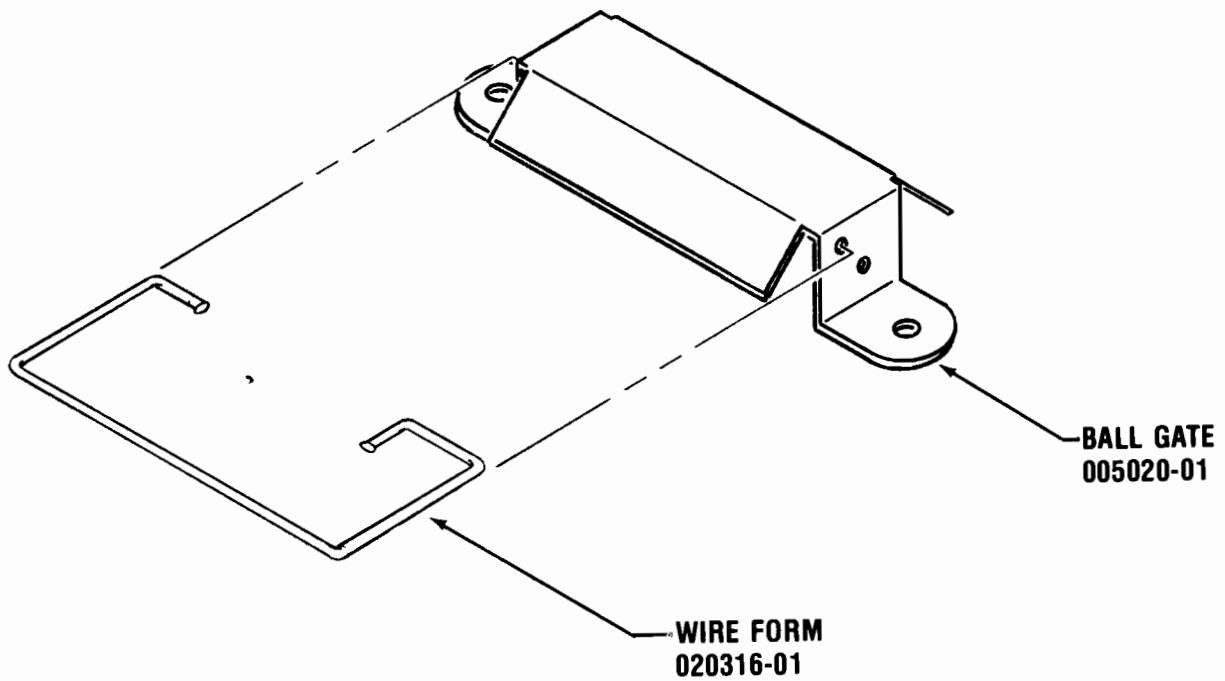




NOTICE TO ALL PERSONS RECEIVING THIS DRAWING
 CONFIDENTIAL. Reproduction forbidden without the
 specific written permission of Atari, Inc., Sunnyvale,
 California. This drawing is only conditionally issued, and
 neither receipt nor possession thereof confers or transfers
 any right in, or license to use, the subject matter of the
 drawing or any design or technical information shown
 thereon, nor any right to reproduce this drawing or any part
 thereof, except for manufacture by vendors of Atari, Incor-
 porated and for manufacture under the corporation's writ-
 ten license. No right to reproduce this drawing is granted
 or the subject matter thereof unless by written agreement
 with or written permission from the corporation.

Figure 17
 Left and Right Single Flipper
 A020968-01 and -02 E



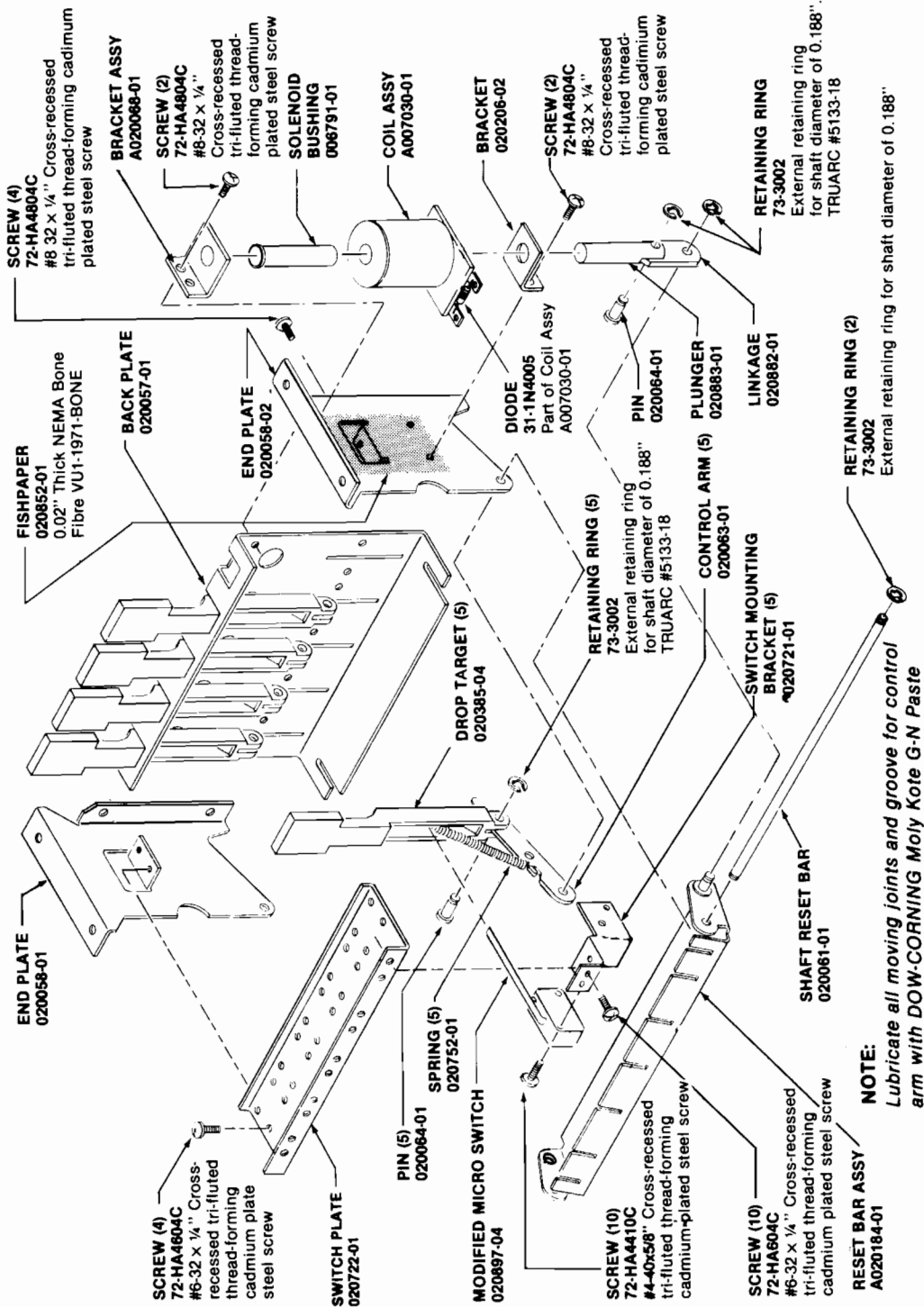


NOTICE TO ALL PERSONS RECEIVING THIS DRAWING
 CONFIDENTIAL: Reproduction forbidden without the
 specific written permission of Atari, Inc., Sunnyvale,
 California. This drawing is only conditionally issued, and
 neither receipt nor possession thereof confers or transfers
 any right in, or license to use, the subject matter of the
 drawing or any design or technical information shown
 thereon, nor any right to reproduce this drawing or any part
 thereof, except for manufacture by vendors of Atari, Incor-
 porated and for manufacture under the corporation's writ-
 ten license, no right to reproduce this drawing is granted
 or the subject matter thereof unless by written agreement
 with or written permission from the corporation.

Figure 18
One Way Ball Gate Assy
A020314-01 A



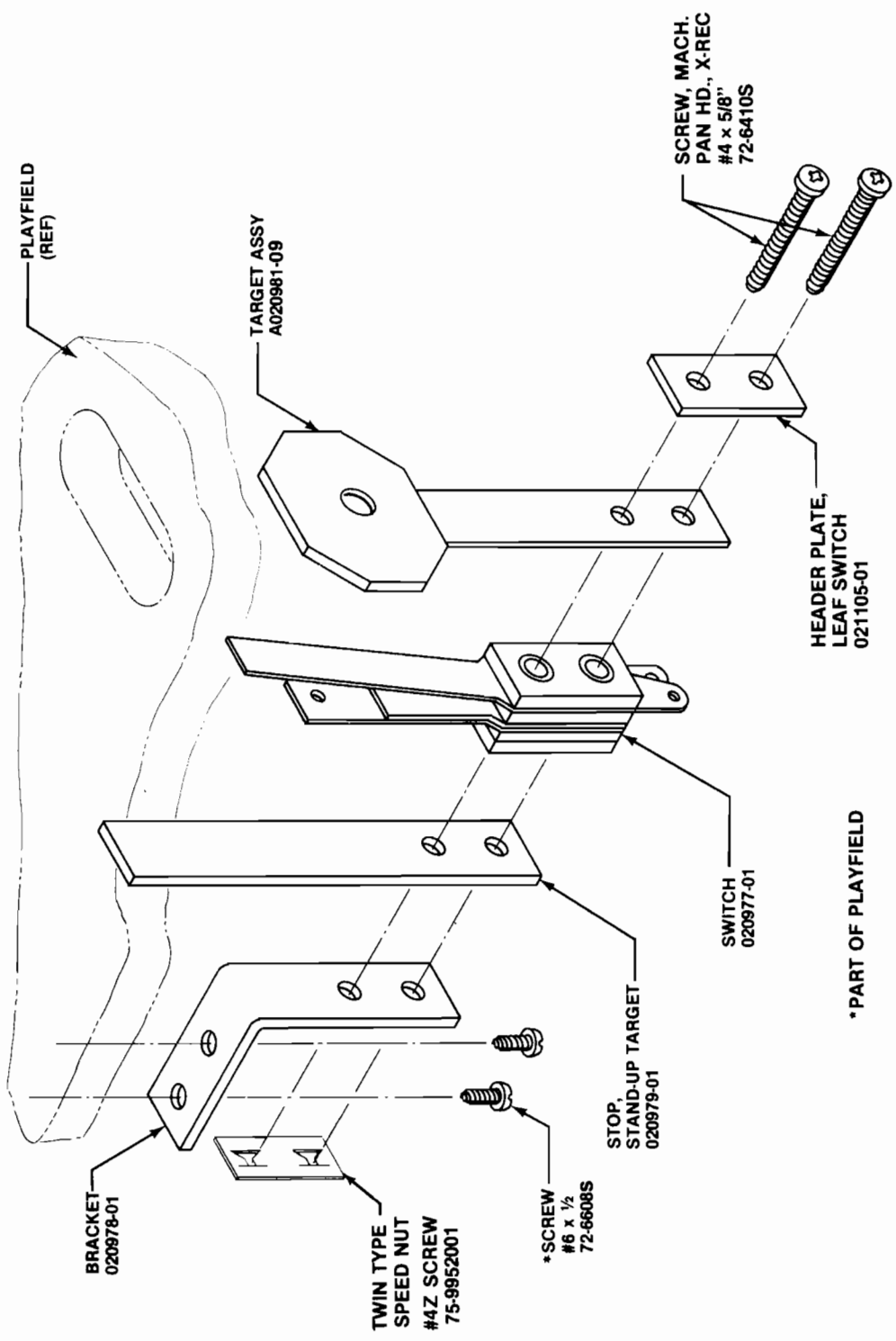
Figure 19
5-Bank Drop Target
A020275-02 J



NOTE:
Lubricate all moving joints and groove for control arm with DOW-CORNING Moly Kote G-N Paste

NOTICE TO ALL PERSONS RECEIVING THIS DRAWING
CONFIDENTIAL: Reproduction forbidden without the specific written permission of Atari, Inc., Sunnyvale, California. This drawing is only confidentially issued, and neither receipt nor possession thereof confers or transfers any right in, or license to use, the subject matter of the drawing or any design or technical information shown thereon, nor any right to reproduce this drawing or any part thereof, except for manufacture by vendors of Atari, Incorporated and for manufacture under the corporation's written license. No right to reproduce this drawing is granted or the subject matter thereof unless by written agreement with or written permission from the corporation.





NOTICE TO ALL PERSONS RECEIVING THIS DRAWING
 CONFIDENTIAL: Reproduction forbidden without the
 specific written permission of Atari, Inc., Sunnyvale,
 California. This drawing is only conditionally issued, and
 neither receipt nor possession thereof confers or transfers
 any right in, or license to use, the subject matter of the
 drawing or any design or technical information shown
 thereon, nor any right to reproduce this drawing or any part
 thereof, except for manufacture by vendors of Atari, Incor-
 porated and for manufacture under the corporation's writ-
 ten license, no right to reproduce this drawing is granted
 or the subject matter thereof unless by written agreement
 with or written permission from the corporation.

Figure 20
 Stand-up Switch Assy
 A020982-09 D



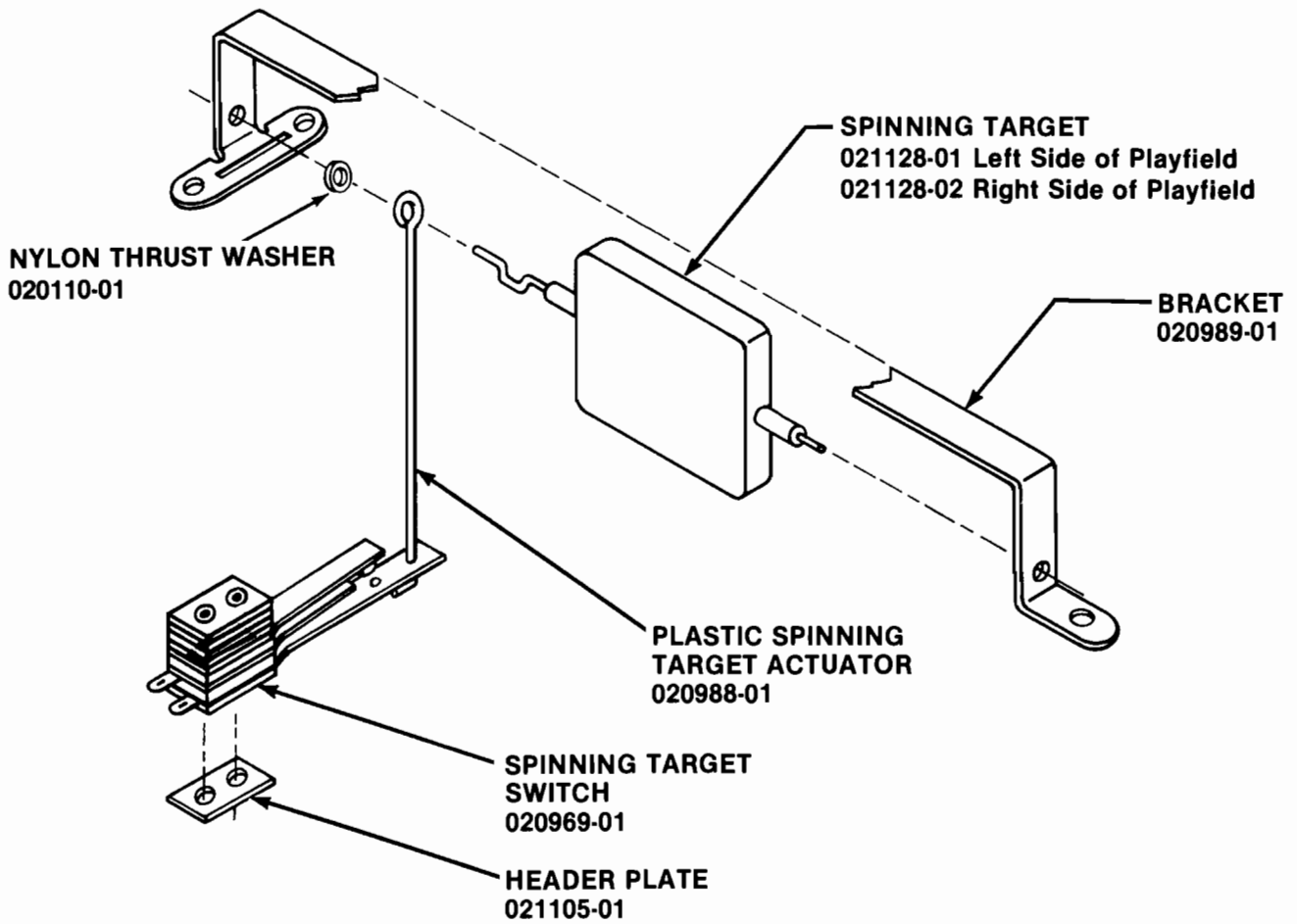
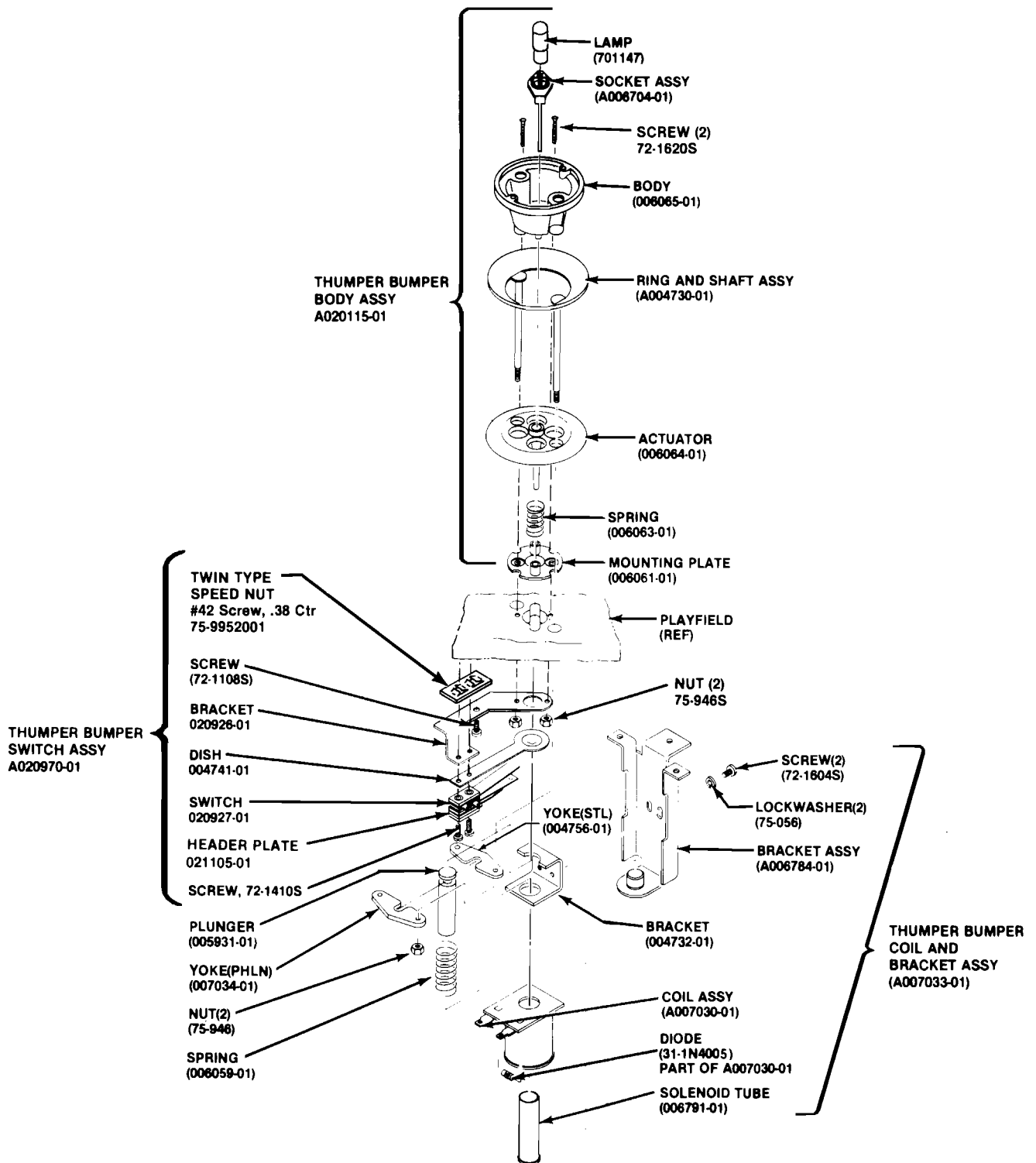


Figure 21
Spinning Target
From A021019-01 and -02 D



NOTICE TO ALL PERSONS RECEIVING THIS DRAWING
CONFIDENTIAL: Reproduction forbidden without the
specific written permission of Atari, Inc., Sunnyvale,
California. This drawing is only conditionally issued, and
neither receipt nor possession thereof confers or transfers
any right in, or license to use, the subject matter of the
drawing or any design or technical information shown
thereon, nor any right to reproduce this drawing or any part
thereof, except for manufacture by vendors of Atari, Inc.,
incorporated and for manufacture under the corporation's writ-
ten license, no right to reproduce this drawing is granted
or the subject matter thereof unless by written agreement
with or written permission from the corporation.



NOTICE TO ALL PERSONS RECEIVING THIS DRAWING
 CONFIDENTIAL. Reproduction forbidden without the
 specific written permission of Atari, Inc., Sunnyvale,
 California. This drawing is only conditionally issued, and
 neither receipt nor possession thereof confers or transfers
 any right in, or license to use, the subject matter of the
 drawing or any design or technical information shown
 thereon, nor any right to reproduce this drawing or any part
 thereof, except for manufacture by vendors of Atari, Incor-
 porated and for manufacture under the corporation's writ-
 ten license. No right to reproduce this drawing is granted
 or the subject matter thereof unless by written agreement
 with or written permission from the corporation.

Figure 22
Thumper Bumper
 A020115-01 D
 A020970-01 C
 A007033-01 E



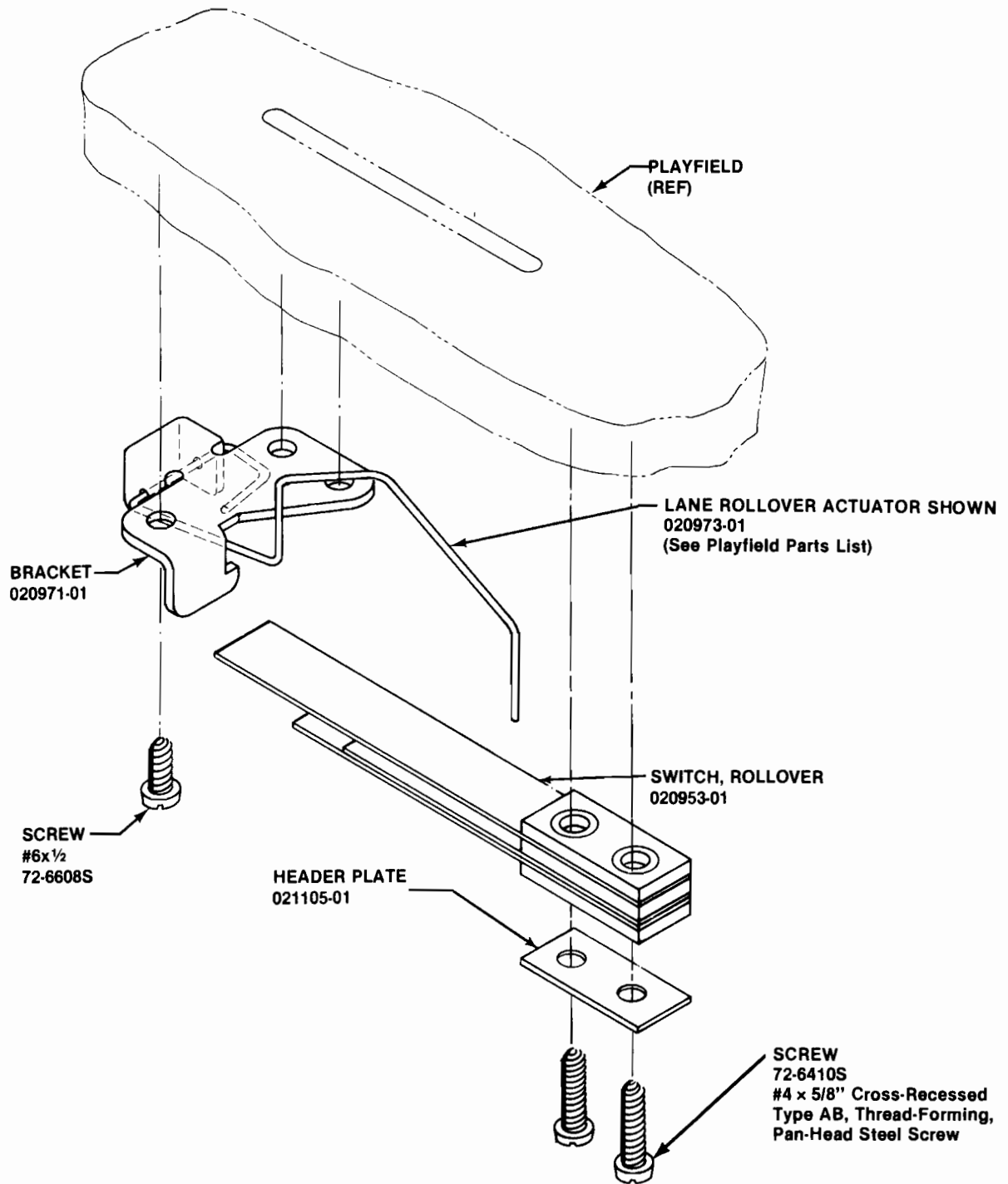
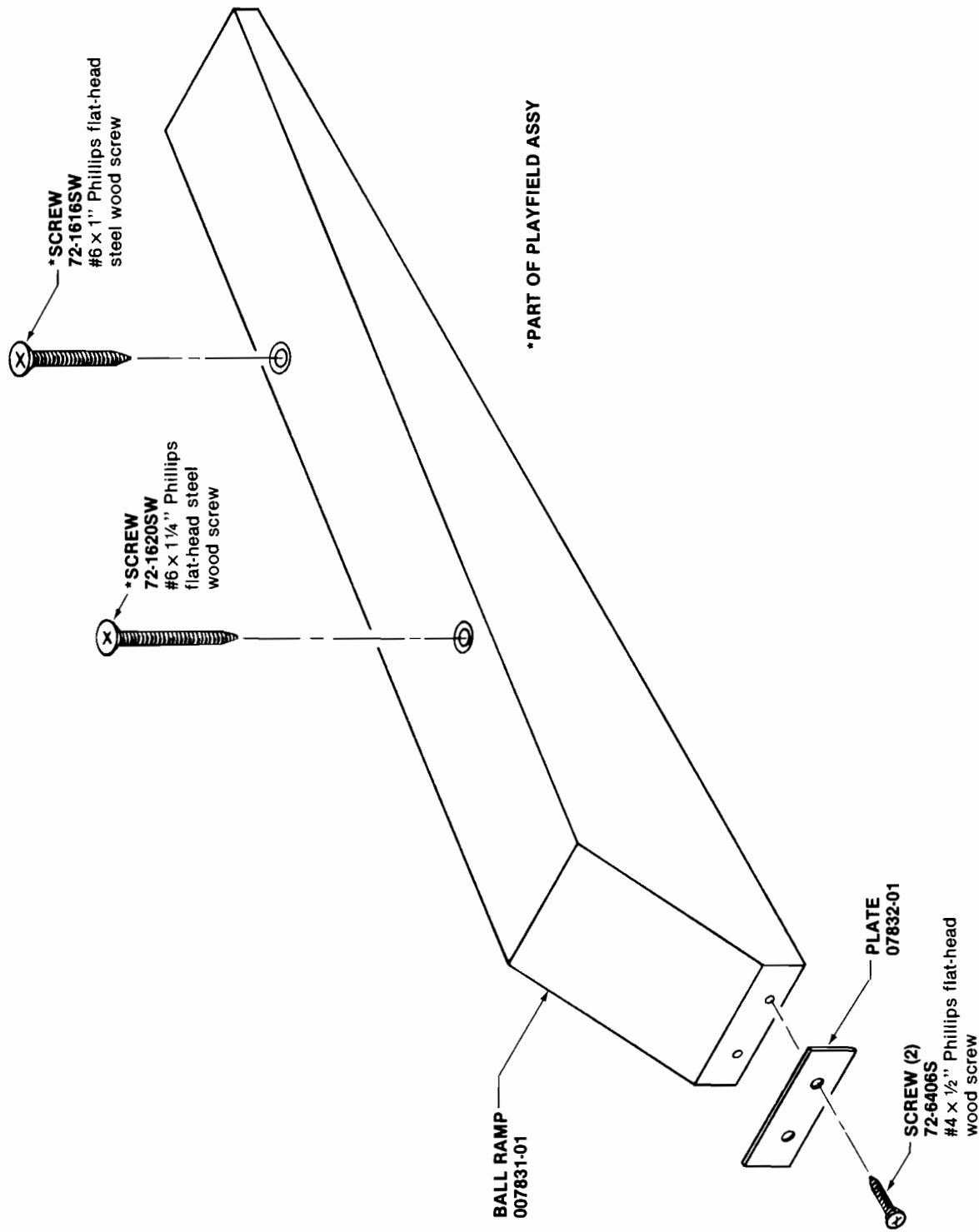


Figure 23
Rollover Switch
020953-01 C

NOTICE TO ALL PERSONS RECEIVING THIS DRAWING
 CONFIDENTIAL. Reproduction forbidden without the
 specific written permission of Atari, Inc., Sunnyvale,
 California. This drawing is only conditionally issued, and
 neither receipt nor possession thereof confers or transfers
 any right in, or license to use, the subject matter of the
 drawing or any design or technical information shown
 thereon, nor any right to reproduce this drawing or any part
 thereof, except for manufacture by vendors of Atari, Inc.,
 incorporated and for manufacture under the corporation's writ-
 ten license, no right to reproduce this drawing is granted
 or the subject matter thereof unless by written agreement
 with or written permission from the corporation.

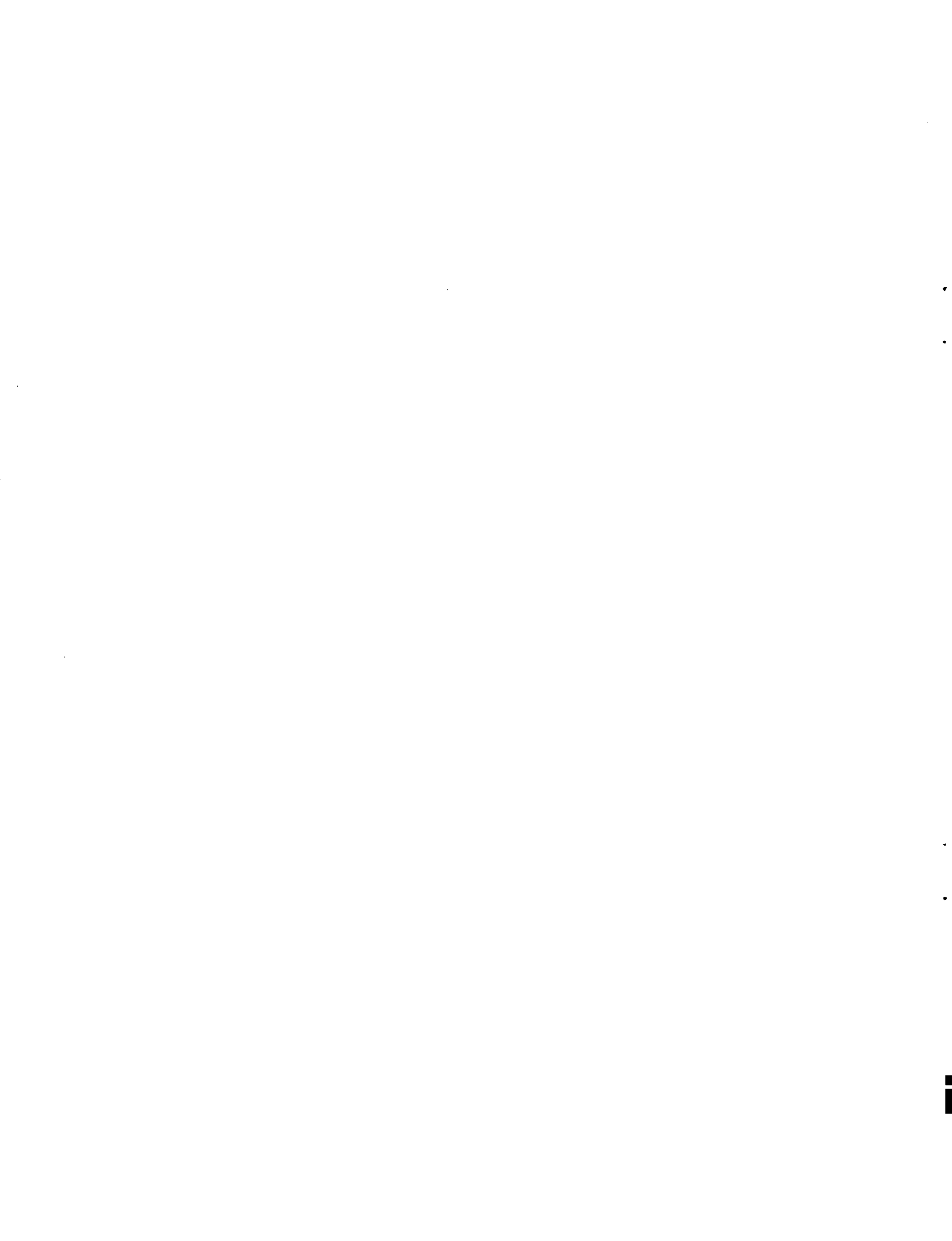




NOTICE TO ALL PERSONS RECEIVING THIS DRAWING
 CONFIDENTIAL. Reproduction forbidden without the
 specific written permission of Atari, Inc., Sunnyvale,
 California. This drawing is only conditionally issued, and
 neither receipt nor possession thereof confers or transfers
 any right in, or license to use, the subject matter of the
 drawing or any design or technical information shown
 thereon, nor any right to reproduce this drawing or any part
 thereof, except for manufacture by vendors of Atari, Incorporated
 and for manufacture under the corporation's written
 license, no right to reproduce this drawing is granted
 or the subject matter thereof unless by written agreement
 with or written permission from the corporation.

Figure 24
 Ball Return Ramp
 A007833-01 C





WARRANTY

Seller warrants that its printed circuit boards and parts thereon are free from defects in material and workmanship under normal use and service for a period of ninety (90) days from date of shipment. Seller warrants that its television monitors (in games supplied with monitors) are free from defects in material and workmanship under normal use and service for a period of thirty (30) days from date of shipment. None of the Seller's other products or parts thereof are warranted.

If the products described in this manual fail to conform to this warranty, Sellers' sole liability shall be, at its option, to repair, replace, or credit Buyer's account for such products which are returned to Seller during said warranty period, provided:

(a) Seller is promptly notified in writing upon discovery by Buyer that said products are defective;

(b) Such products are returned prepaid to Sellers' plant; and

(c) Seller's examination of said products discloses to Seller's satisfaction that such alleged defects existed and were not caused by accident, misuse, neglect, alteration, improper repair, installation or improper testing.

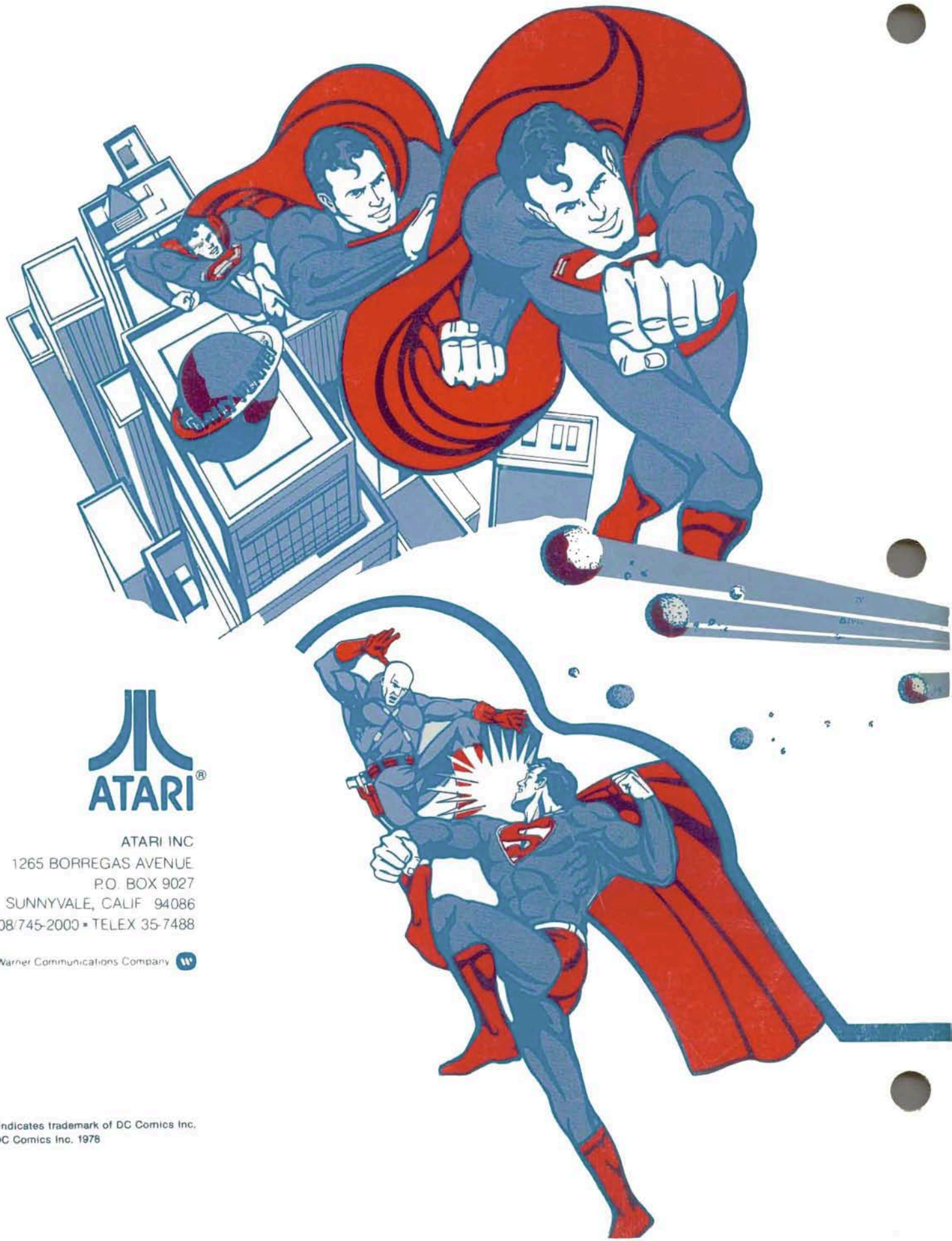
In no event shall Seller be liable for loss of profits, loss of use, incidental or consequential damages.

Except for any express warranty set forth in a written contract between Seller and Buyer which contract supersedes the terms of this order, this warranty is expressed in lieu of all other warranties expressed or implied, including the implied warranties of merchantability and fitness for a particular purpose, and of all other obligations or liabilities on the Seller's part, and it neither assumes nor authorizes any other person to assume for the Seller any other liabilities in connection with the sale of products under this order.

This document is and contains confidential trade secret information of Atari, Inc.

This document is loaned under confidential custody for the sole purpose of operation, maintenance or repair of Atari equipment and may not be used by or disclosed to any person for any other purpose whatever, and remains the property of Atari, Inc.

Neither it nor the information it contains may be reproduced, used, or disclosed to persons not having a need to know consistent with the purpose of the loan, without written consent of Atari, Inc.



ATARI INC
1265 BORREGAS AVENUE
P.O. BOX 9027
SUNNYVALE, CALIF 94086
408/745-2000 • TELEX 35-7488

A Warner Communications Company 

TM indicates trademark of DC Comics Inc.
© DC Comics Inc. 1976