

RAM/ROM TEST FAILURE

If Self-Test falls to advance to Test No. 1, check the lighting of LEDs L1 thru L4 on the Processor PCB (located directly below this label)

If L1 is **ON**

and L2 is **ON** — Indicates a failure of RAM in location H6
 or L3 is **ON** — Indicates a failure of RAM in location K6
 or L4 is **ON** — Indicates a failure of RAM in location J6

If L1 is **OFF**

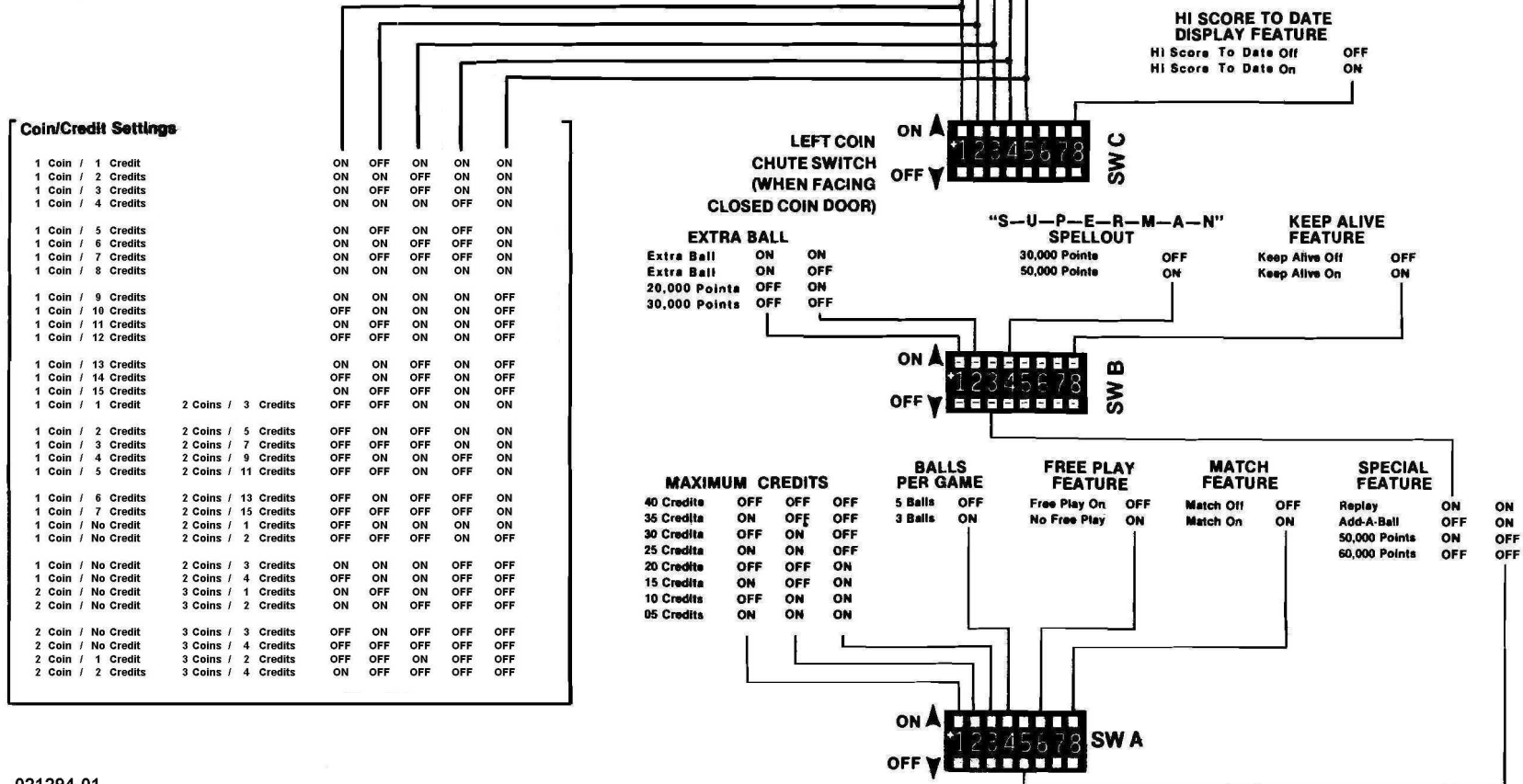
and L2 is **ON** — Indicates a failure of ROM in location K/L7
 or L3 is **ON** — Indicates a failure of ROM in location M7
 or L4 is **ON** — Indicates a failure of ROM in location J7

OPTION SWITCH SETTINGS



REPLAYS FOR HI SCORE TO DATE

One Replay for Hi Score to Date	OFF	OFF
Two Replays for Hi Score to Date	ON	ON
Three Replays for Hi Score to Date	ON	OFF



Coin/Credit Settings

1 Coin / 1 Credit	ON	OFF	ON	ON	ON
1 Coin / 2 Credits	ON	ON	OFF	ON	ON
1 Coin / 3 Credits	ON	OFF	OFF	ON	ON
1 Coin / 4 Credits	ON	ON	ON	OFF	ON
1 Coin / 5 Credits	ON	OFF	ON	OFF	ON
1 Coin / 6 Credits	ON	ON	ON	OFF	ON
1 Coin / 7 Credits	ON	OFF	OFF	OFF	ON
1 Coin / 8 Credits	ON	ON	ON	ON	ON
1 Coin / 9 Credits	ON	ON	ON	ON	OFF
1 Coin / 10 Credits	OFF	ON	ON	ON	OFF
1 Coin / 11 Credits	ON	OFF	ON	ON	OFF
1 Coin / 12 Credits	OFF	OFF	ON	ON	OFF
1 Coin / 13 Credits	ON	ON	OFF	ON	OFF
1 Coin / 14 Credits	OFF	ON	OFF	ON	OFF
1 Coin / 15 Credits	ON	OFF	OFF	ON	OFF
1 Coin / 1 Credit	2 Coins / 3 Credits	OFF	OFF	ON	ON
1 Coin / 2 Credits	2 Coins / 5 Credits	OFF	ON	OFF	ON
1 Coin / 3 Credits	2 Coins / 7 Credits	OFF	OFF	OFF	ON
1 Coin / 4 Credits	2 Coins / 9 Credits	OFF	ON	ON	OFF
1 Coin / 5 Credits	2 Coins / 11 Credits	OFF	OFF	ON	OFF
1 Coin / 6 Credits	2 Coins / 13 Credits	OFF	ON	OFF	ON
1 Coin / 7 Credits	2 Coins / 15 Credits	OFF	OFF	OFF	ON
1 Coin / No Credit	2 Coins / 1 Credits	OFF	ON	ON	ON
1 Coin / No Credit	2 Coins / No Credit	OFF	OFF	ON	OFF
2 Coin / No Credit	3 Coins / 3 Credits	ON	ON	ON	OFF
2 Coin / No Credit	3 Coins / 4 Credits	OFF	ON	ON	OFF
2 Coin / No Credit	3 Coins / 1 Credits	ON	OFF	ON	OFF
2 Coin / No Credit	3 Coins / 2 Credits	ON	ON	OFF	OFF
2 Coin / No Credit	3 Coins / 3 Credits	OFF	ON	OFF	OFF
2 Coin / No Credit	3 Coins / 4 Credits	OFF	OFF	OFF	OFF
2 Coin / No Credit	3 Coins / 2 Credits	OFF	OFF	ON	OFF
2 Coin / 2 Credits	3 Coins / 4 Credits	ON	OFF	OFF	OFF