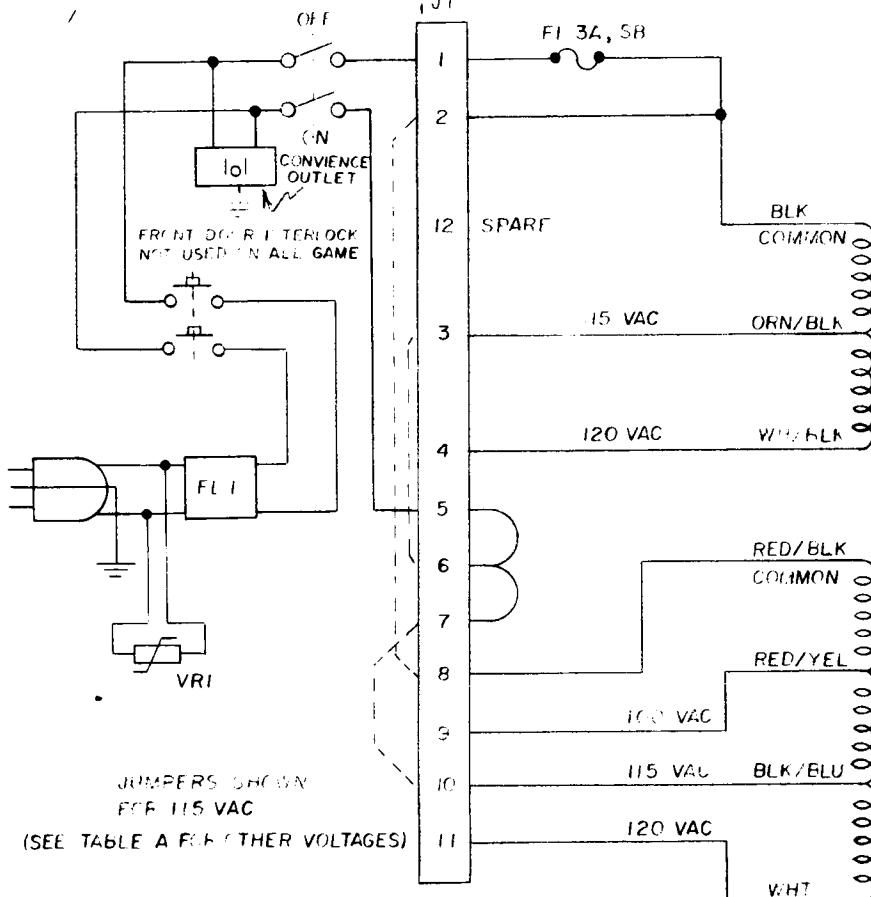


AS 2677 -X TRANSFORMER POWER ASSEMBLY

SEE NOTE 1

AS-3071-X
TRANSFORMER ASSY.

CABINET WIRING



JUMPERS SHOWN FOR 115 VAC (SEE TABLE A FOR OTHER VOLTAGES)

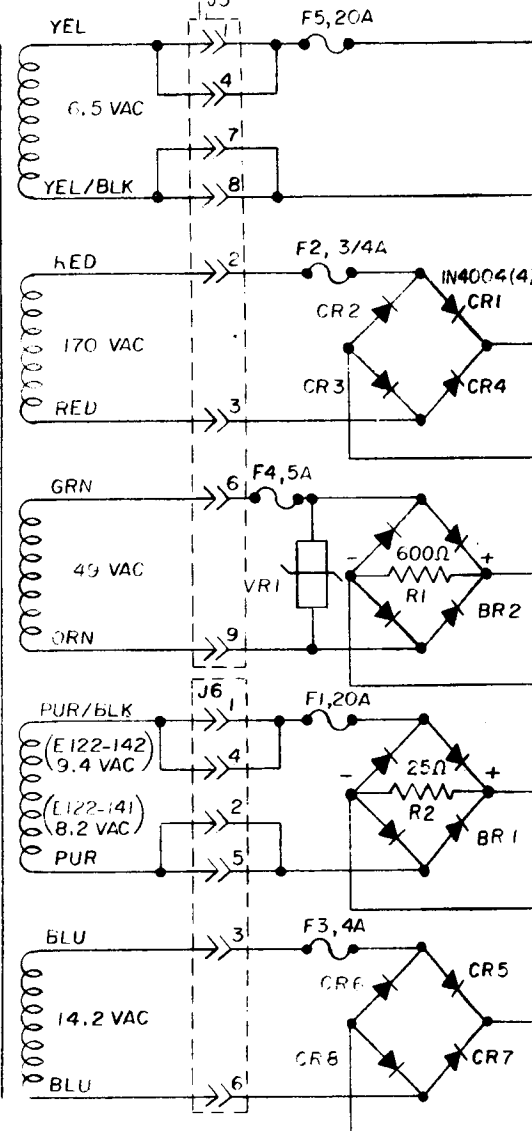
NOTES
1. SEE GAME MANUAL OF SPECIFIC GAME FOR CORRECT DASH/PART NUMBER.

TABLE "A"

115 VAC , 2-8 , 3-6 , 7-1
120 VAC . 2-8 , 4-6 , 7-11
220 VAC , 4-8 , 7-3
240 VAC , 4-8 , 7-11

NOTE 1

T 1



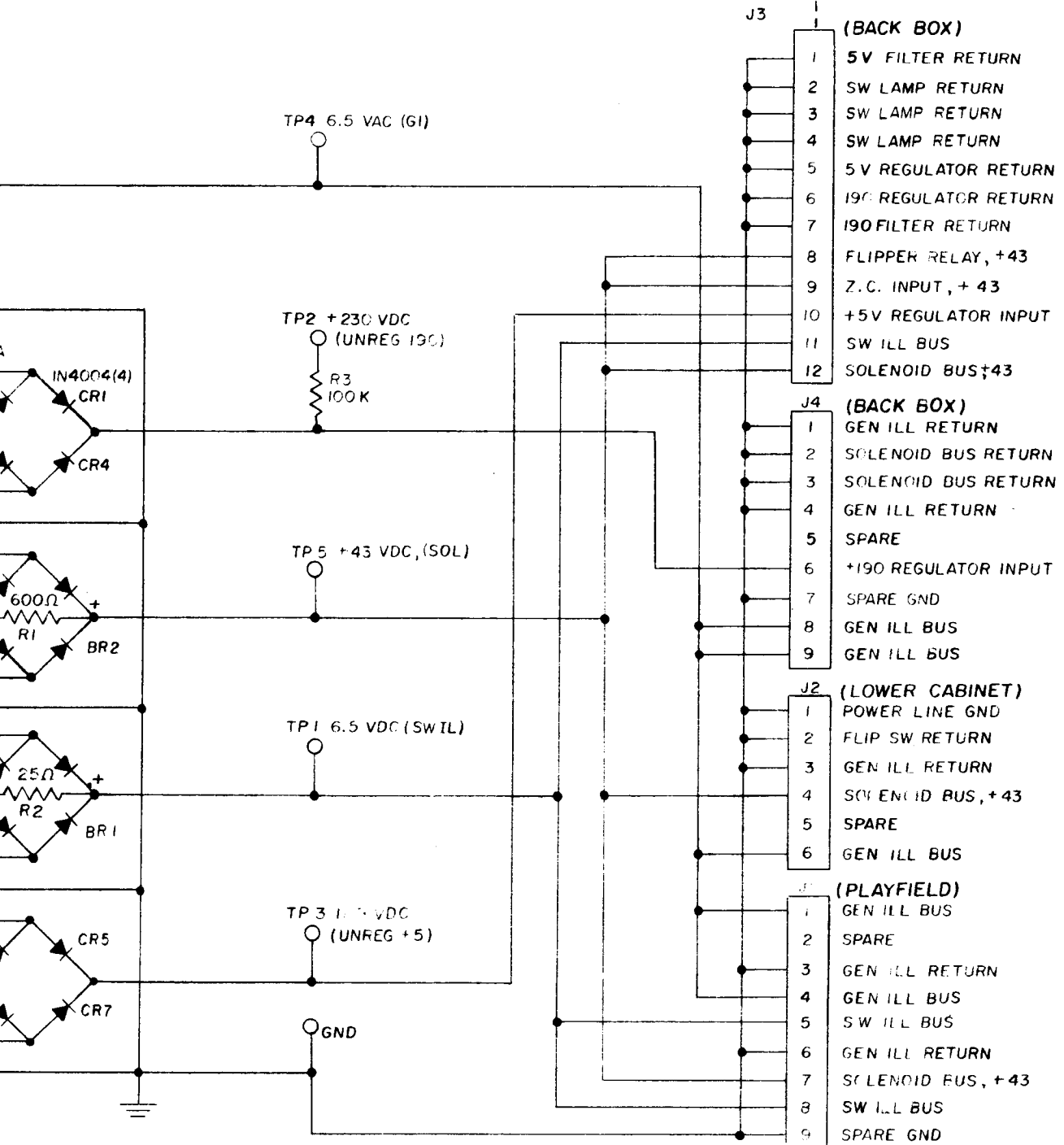
NO.	LET.	CHANGE	D.

OPER.	DEPT.	DESCRIPTION	TOOL NO.

PART NO.

W-1233 *h*

AS-2518-54, POWER MODULE



ALL DESIGN, OPERATIVE AND PROCESS DATA PERTAINING TO THE ARTICLE SHOWN ON THIS SHEET IS THE PROPERTY OF BALLY MFG. CORP., CHICAGO, ILL. THIS INFORMATION IS DISCLOSED IN CONFIDENCE AND IS NOT TO BE COPIED, REPRODUCED, REVEALED TO OR APPROPRIATED BY OTHERS, IN PART OR IN WHOLE, WITHOUT THE EXPRESS CONSENT OF THE OWNERS. THE PRINT IS LOANED AND MUST NOT BE USED IN ANY MANNER DETRIMENTAL TO THE INTEREST OF THE OWNERS, AND MUST BE RETURNED ON DEMAND.

REMOVE ALL BURRS

TOLERANCES ON DIMENSIONS UNLESS OTHERWISE SPECIFIED
 FRACTIONS ± .008
 DECIMALS ± .003
 EXCEPT HOLE DIA'S
 ANGLES ± 1/2°

DO NOT SCALE DRAWING

DR. BY FFC DATE 7-10-80

CK. BY AMCR DATE 7-11-80

AP'D BY DATE

AP'D BY DATE 7-11-80

FINISH: *[Signature]*

HARDENING: *[Signature]*

Bally MANUFACTURING CORP.
 2640 BELMONT AVENUE
 CHICAGO, ILLINOIS # 1196

PRINT CONTROL DIE SIZE C.C. FT. PER M. LBS. PER M.

NAME POWER SUPPLY SCHEMATIC ASSEM. NO. USED SCALE *[Signature]*

MATERIAL PART NO. W-1233 *h*

CODE

DATE BY